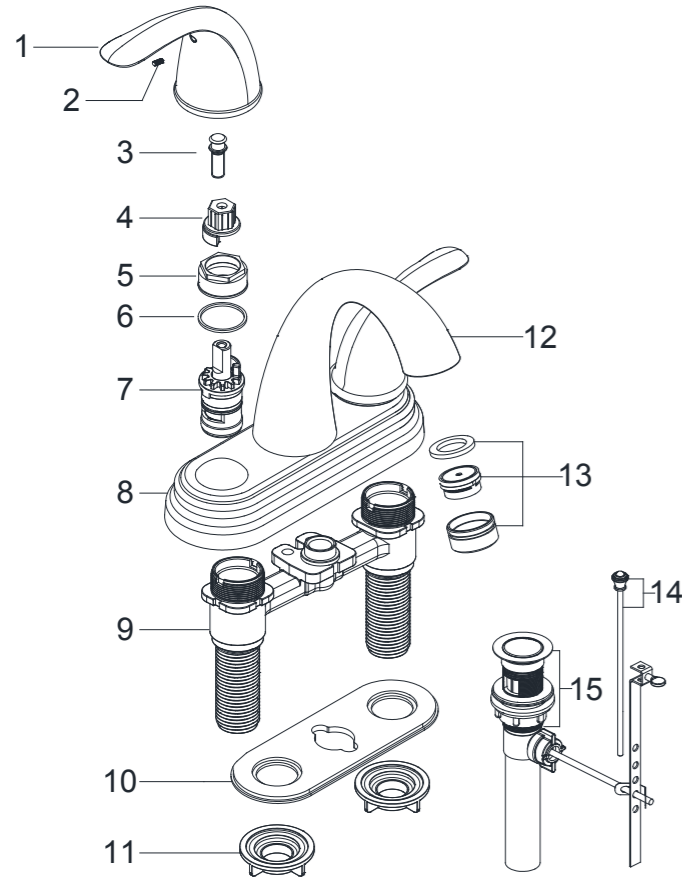


UF45010  
UF45013  
UF45015

# VANTAGE Series

4"Two Handle Lavatory Faucet



NO.	Description	QTY
1	Handles	2
2	Screws	2
3	Bolt	2
4	Inverter H & C	1
5	Bonnet	2
6	Washer	2
7	Cartridge	2
8	Escutcheon	1
9	Body	1
10	Base Plate	1
11	Mounting Nut	2
12	Spout	1
13	Aerator	1
14	Lift Rod	1
15	Pup Up Drain	1

## Limited Lifetime Warranty

Ultra Faucets warrants to the original purchaser that its products will be free from defects in workmanship and materials. All Ultra Faucets are provided with a life time limited warranty. This warranty does not cover any other labor or service charges associated with the removal, repair, or reinstallation of Ultra Faucets products. This express warranty does not apply to products that have been damaged as a result of misuse, abuse, negligence, accident, faulty installation or maintenance practices and/or used in any manner contrary to those recommended by the manufacturer.

**Need help?** Please call our toll-free customer service line at 1-888-658-5872 for additional assistance or service.

**Besoin d'aide?** Veuillez communiquer avec notre service à la clientèle au numéro gratuit 1-888-658-5872 pour tous renseignements ou services complémentaires.

**¿Requiere asistencia?** Llame a nuestro Servicio al Cliente, sin costo, al 1-888-658-5872 para asistencia adicional o servicio.

## Installation/Installation/Instalación

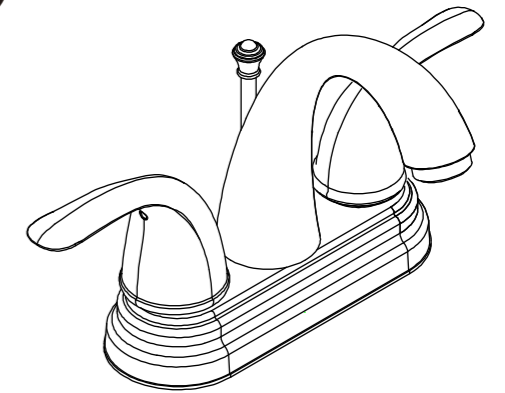
### CUSTOMER SERVICE

TOLL-FREE 1-888-OK-ULTRA (658-5872)

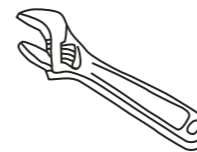
UF45010 - Chrome

UF45013 - Brushed Nickel

UF45015 - Oil Rubbed Bronze



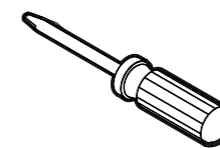
### Tools You Will Need / Outils dont vous aurez besoin / Herramientas necesarias



Adjustable Wrench

Clé à molette

Llave ajustable



Phillips Screwdriver

Tournevis Phillips

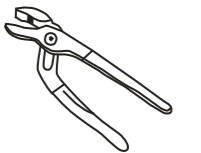
Destornillador cruciforme



Pipe Tape

Ruban pour tuyau

Cinta selladora para rosca



Groove joint pliers

Pince multiprise

Pinzas ajustables

### SAFETY TIPS

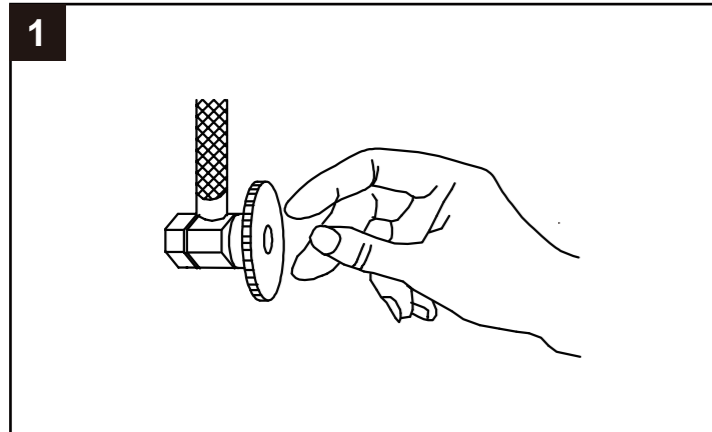
- If you use soldering for the installation of the faucet, the seats, cartridges and washers will have to be removed before using flame. Otherwise, warranty will be void on those parts.
- Cover your drain to avoid losing parts.
- 0°C~55°C.

### CONSIGNES DE SÉCURITÉ

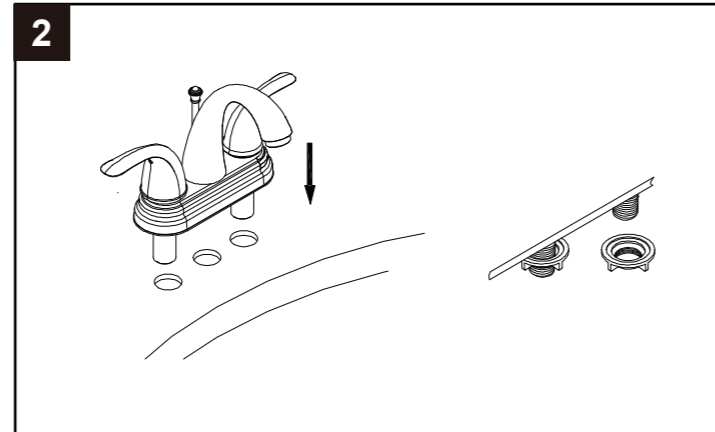
- Si vous posez le robinet par brasage, il est essentiel de retirer les sièges, les cartouches et les rondelles avant d'appliquer la flamme, faute de quoi la garantie sur ces pièces sera annulée.
- Couvrez le drain pour ne pas perdre des pièces.
- 0°C~55°C.

### CONSEJOS DE SEGURIDAD

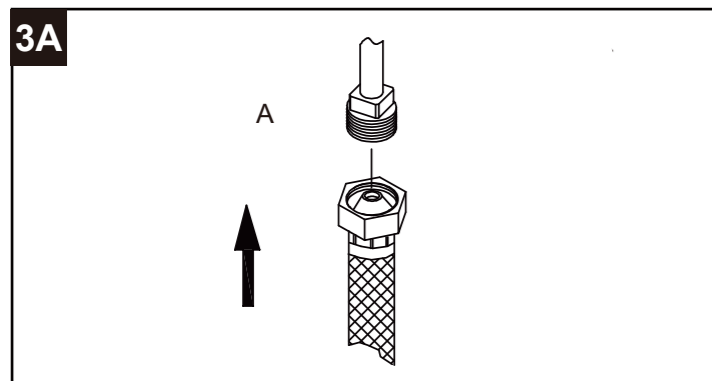
- En el caso de utilizar soldadura para instalar el grifo, remueva los asientos, cartuchos y arandelas antes de usar la llama. De lo contrario, se anulará la garantía para esos componentes.
- Tape la boca del desagüe para prevenir la pérdida de piezas pequeñas.
- 0°C~55°C.



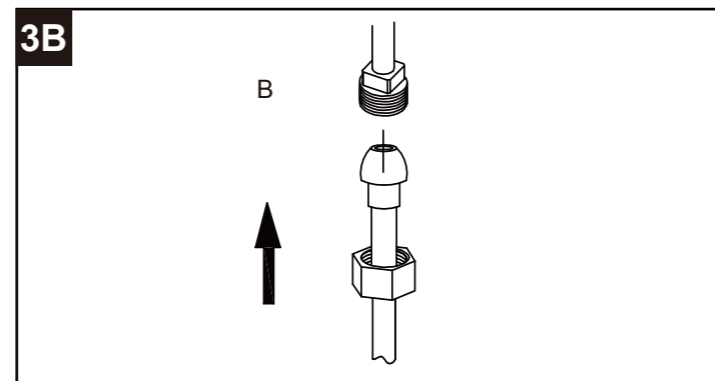
**1**  
Shut off water supplies. Remove old faucet. Clean sink surface in preparation for new faucet.



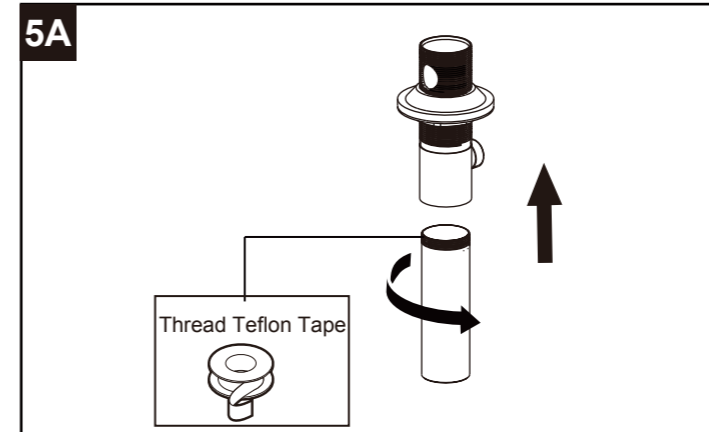
**2**  
Place new faucet in position on the sink. From under sink, Thread mounting nuts onto faucet. Tighten mounting nuts.



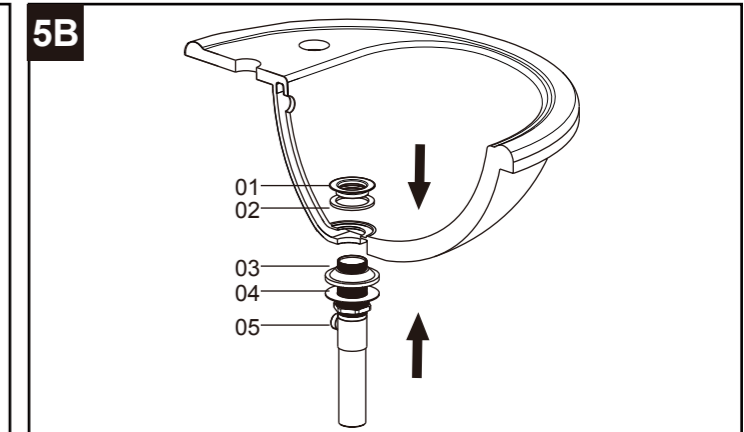
**3A**  
Stainless steel Braided Faucet supply Tubes: This is the simplest of all installations. If you are using stainless steel braided faucet supply tubes, this faucet requires one end of the supply tube to have a 1/2" female IPS connection. The other end of this supply tube must match the thread on the water supply fittings or shut off valve under your sink. Once you have identified the required tube, carefully follow the manufacturer's installation instructions for each tube.



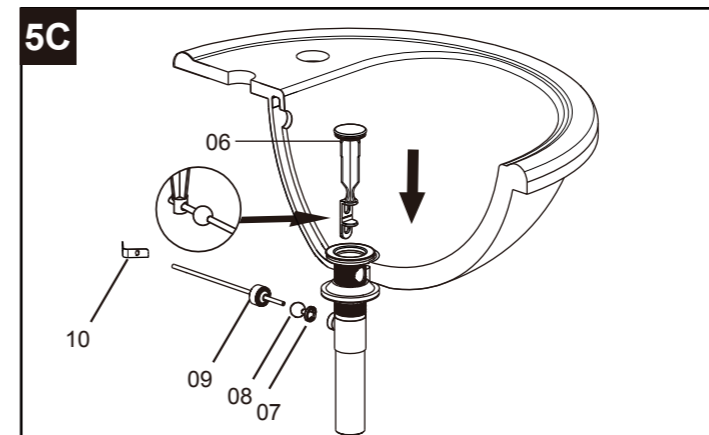
**3B**  
Ball Nose Flexible Supplies: If you are using ball-nose flexible supplies to connect the faucet to water supply lines; Slip coupling nut behind ball-nose of flexible supply tube. Ball nose coupling will go partially into IPS shank or fitting. Tighten coupling nut (DO NOT OVER TIGHTEN). Install opposite end according to manufacturer's instructions for both tubes.



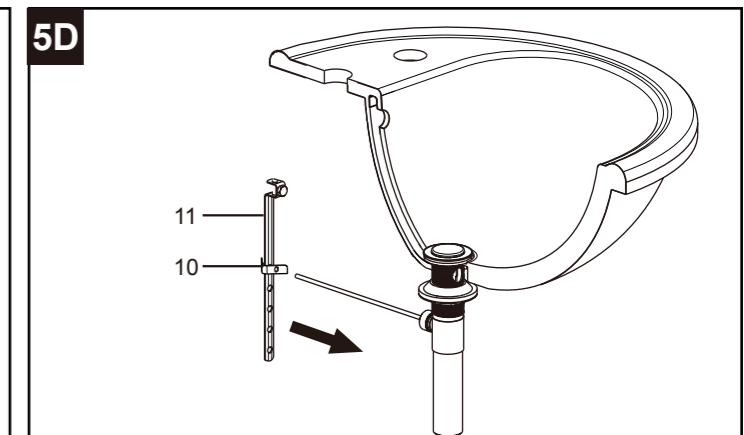
**5A**  
Apply teflon tape to the Tub and thread on the drain plug.



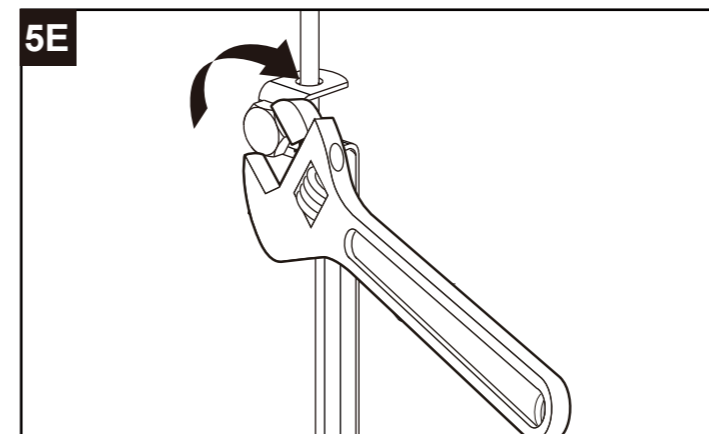
**5B**  
a. Remove flange(01), rubber washer(02), from the pop-up assembly.  
b. Put the pipe body(05) into the sink hole, install the rubber washer(03), tighten the mounting nut(04) use wrench.



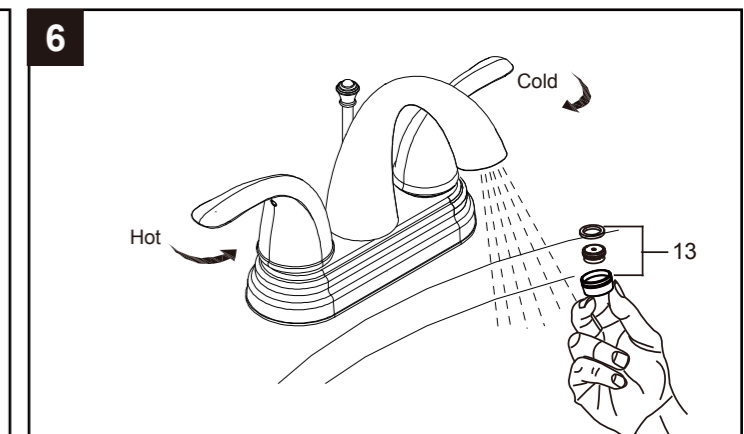
**5C**  
Unscrew the nut(09) from the pipe body, retain the white washer(07), then take off the spring clip(10) from the ball rod(08). Insert the stopper(06), insert the ball rod into the side hole of drain, slide the nut on and tighten securely.



**5D**  
Install the spring clip(10) on the ball rod, simultaneously, insert the linker(11).



**5E**  
Tighten the Screw pull Lift Rod and The Splint.



**6**  
Remove aerator assembly(13). Loosen aerator shell with adjustable wrench. Remove aerator and aerator washer. Turn water on for 1 minute to remove any debris. Reassemble aerator assembly(13).