

ULTRA LAVATORY FAUCET

- **Lotto Collection**
- **Single-Handle Lavatory Faucet**

STANDARD SPECIFICATIONS

- 1 or 3-hole installation with optional deck plate included
- Gear 25mm ceramic disc cartridge
- Non-metal push pop-up assembly included
- Low lead brass spout, zinc body, and zinc handle
- 30" S/S braided inlet hose with female 3/8" compression fitting

- Neoperl aerator 1.2gpm max @ 60psi

FINISHES INCLUDE

- Polished Chrome (UF38700)
- PVD Brushed Nickel (UF38703)
- Matte Black (UF38707)
- Brushed Gold (UF38708)

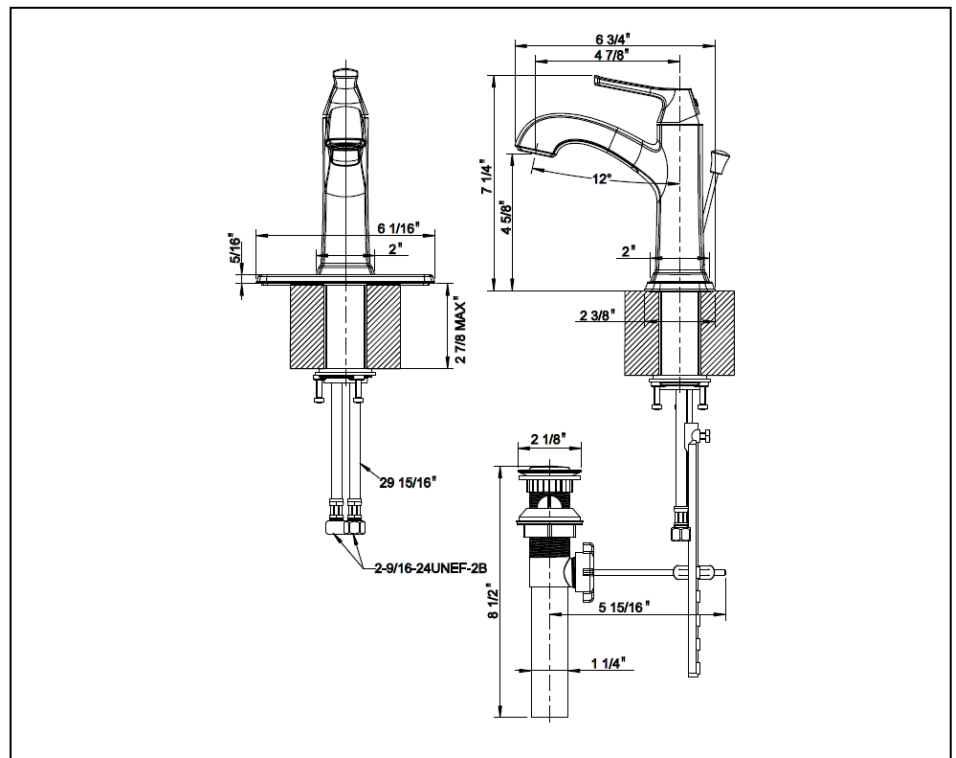
WARRANTY

- Limited lifetime warranty on workmanship and materials to the original purchaser



COMPLIES WITH

- NSF 61-9
- ASME A112.18.1
- CSA B125.1
- IAPMO/UPC/cUPC
- AB1953
- EPA WaterSense
- ADA



tel. 888-OK-ULTRA (658-5872) • fax. 949-252-9989 • <http://www.ultrafaucets.com>

This specification is provided for reference only. Ultra Faucets reserves the right to modify specifications and materials without notice or obligation.