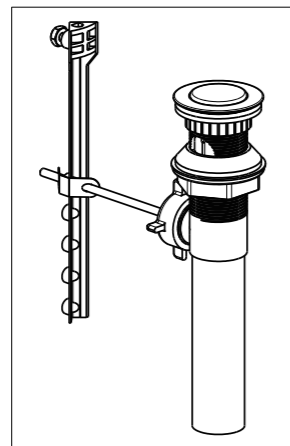
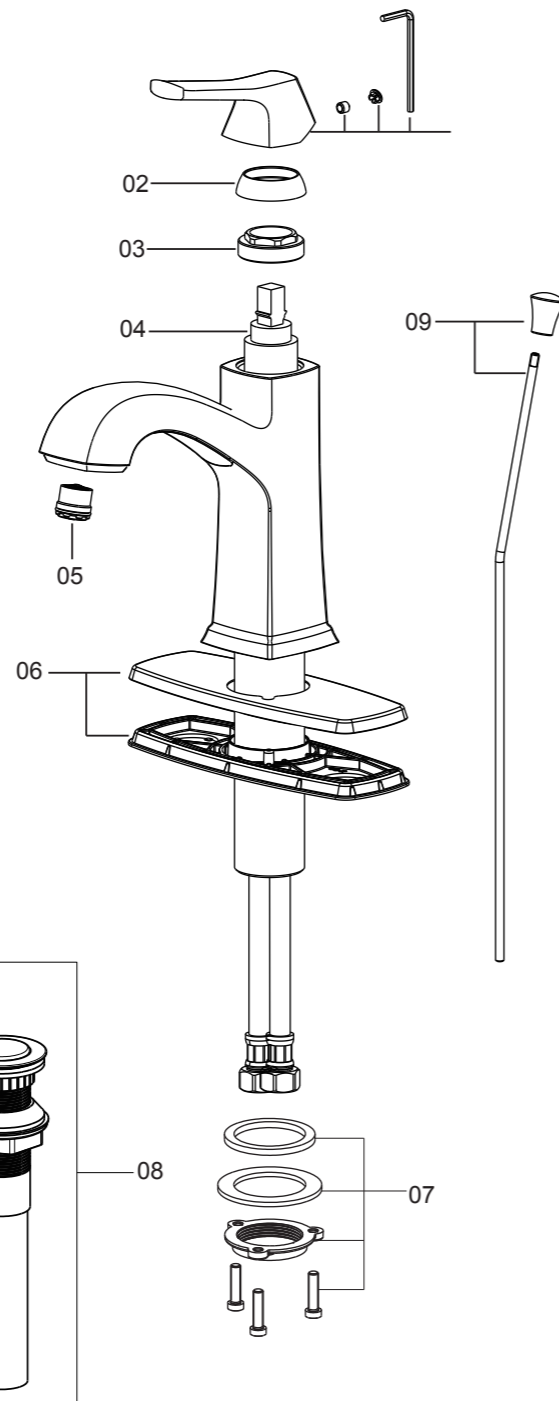


Replacement Parts / Pièces de rechange / Repuestos

NO.	Description	Part No.
1	Handle	*****CP/AP/HA/HBW0A0
2	Bonnet	5L0C030301CP/AP/HA/HBW
3	Nut	5T1000900AL0
4	Cartridge	5D0M0023PL
5	Aerator	5E0005200PL0
6	Deck Plate	*****CP/AP/HA/HBW0
7	Mounting Hardware	5Y0219800CZ0
8	Pop-Up Assembly	5Y0012600NT0
9	Lift Rod	*****CP/AP/HA/HBW0



Limited Lifetime Warranty

Ultra Faucets warrants to the original purchaser that its products will be free from defects in workmanship and materials. All Ultra Faucets are provided with a life time limited warranty. This warranty does not cover any other labor or service charges associated with the removal, repair, or reinstallation of Ultra Faucets products. This express warranty does not apply to products that have been damaged as a result of misuse, abuse, negligence, accident, faulty installation or maintenance practices and/or used in any manner contrary to those recommended by the manufacturer.

Need help? Please call our toll-free customer service line at 1-888-658-5872 for additional assistance or service.

Besoin d'aide? Veuillez communiquer avec notre service à la clientèle au numéro gratuit 1-888-658-5872 pour tous renseignements ou services complémentaires.

¿Requiere asistencia? Llame a nuestro Servicio al Cliente, sin costo, al 1-888-658-5872 para asistencia adicional o servicio.

- UF38700
- UF38703
- UF38705
- UF38707
- UF38708

Lotto Collection

Single-Handle Lavatory Faucet



Installation/Installation/Instalación

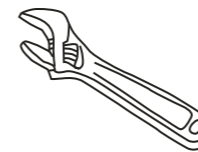
CUSTOMER SERVICE

TOLL-FREE 1-888-OK-ULTRA (658-5872)

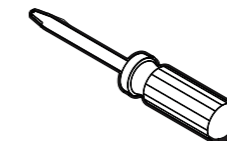
- UF38700 - Polished Chrome
- UF38703 - PVD Brushed Nickel
- UF38705 - Oil Rubbed Bronze
- UF38707 - Matte Black
- UF38708 - Brushed Gold



Tools You Will Need / Outils dont vous aurez besoin / Herramientas necesarias



Adjustable Wrench
Clé à molette
Llave ajustable



Phillips Screwdriver
Tournevis Phillips
Destornillador cruciforme



Pipe Tape
Ruban pour tuyau
Cinta selladora para raosc

SAFETY TIPS

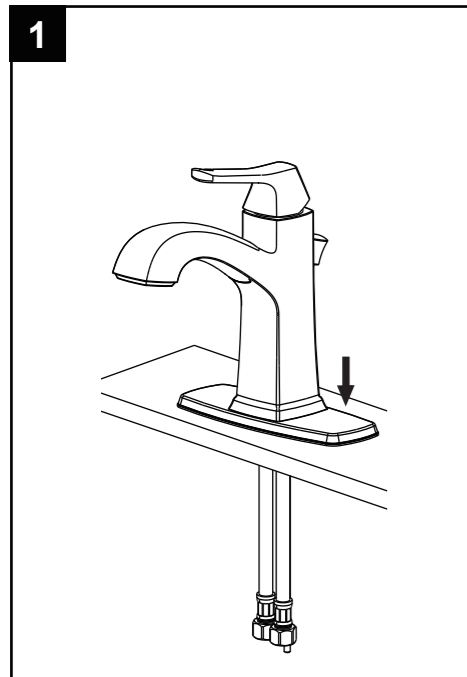
- If you use soldering for the installation of the faucet, the seats, cartridges and washers will have to be removed before using flame. Otherwise, warranty will be void on those parts.
- Cover your drain to avoid losing parts.
- 0°C~55°C.

CONSIGNES DE SÉCURITÉ

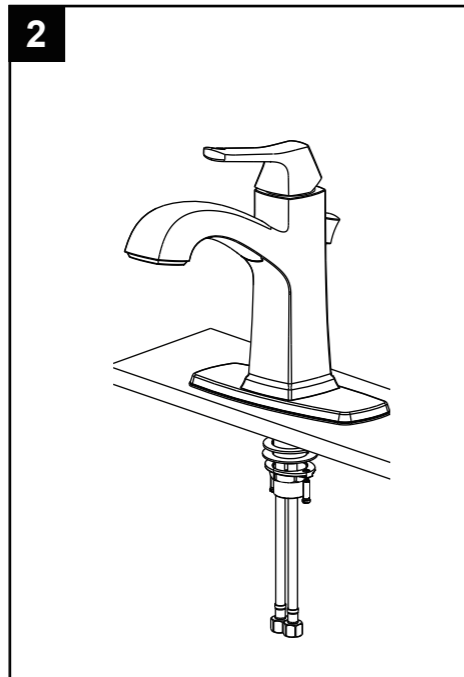
- Si vous posez le robinet par brasage, il est essentiel de retirer les sièges, les cartouches et les rondelles avant d'appliquer la flamme, faute de quoi la garantie sur ces pièces sera annulée.
- Couvrez le drain pour ne pas perdre des pièces.
- 0°C~55°C.

CONSEJOS DE SEGURIDAD

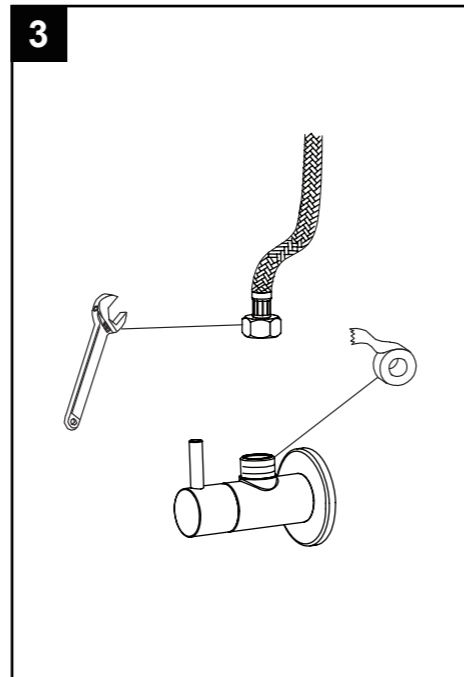
- En el caso de utilizar soldadura para instalar el grifo, remueva los asientos, cartuchos y arandelas antes de usar la llama. De lo contrario, se anulará la garantía para esos componentes.
- Tape la boca del desagüe para prevenir la pérdida de piezas pequeñas.
- 0°C~55°C.



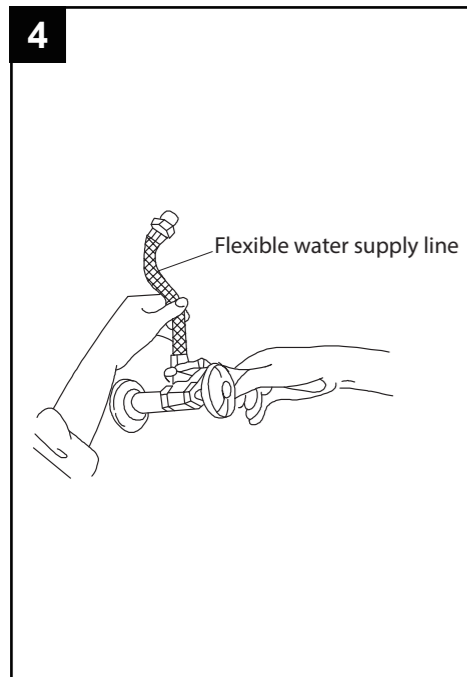
1 First place the new faucet through deck plate and mounting hole. The faucet hole should be 1 5/16"~1 1/2" in diameter on the mounting surface.



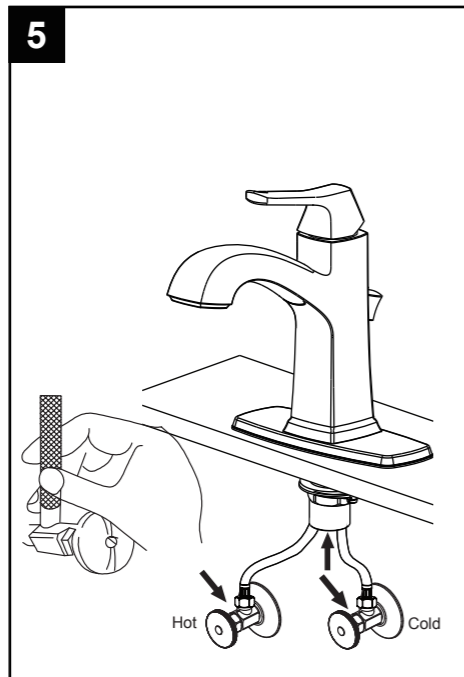
2 Slide the rubber washer, metal washer, and metal nut onto the shank and secure the faucet with two set screws.



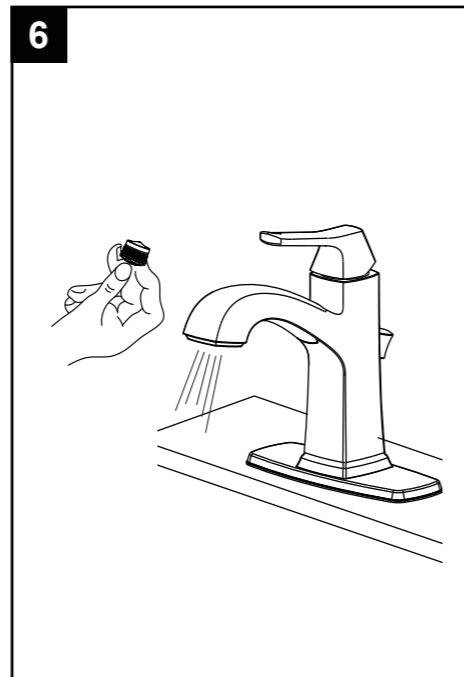
3 Apply Teflon (TPFE) tape on the shut off valves. Thread the tape in a counter-clockwise direction.



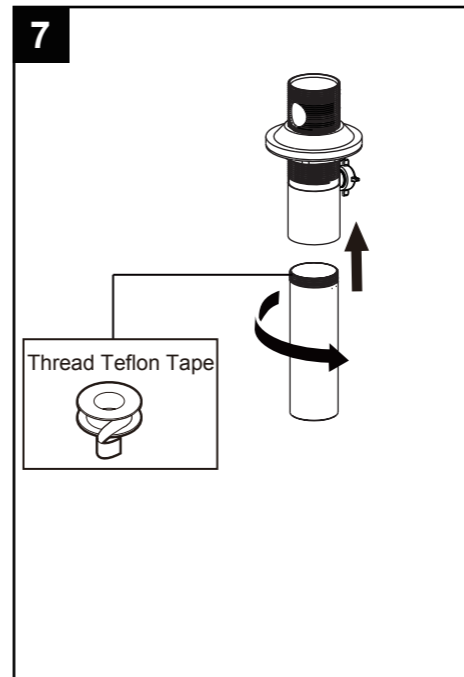
4 Use a wrench to tighten the hoses. Please do not over-tighten the connections.



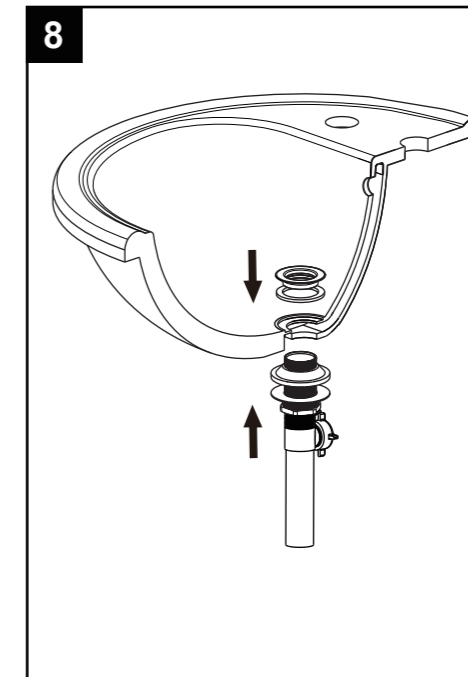
5 Turn on the water supply to check for leaks at all connections.



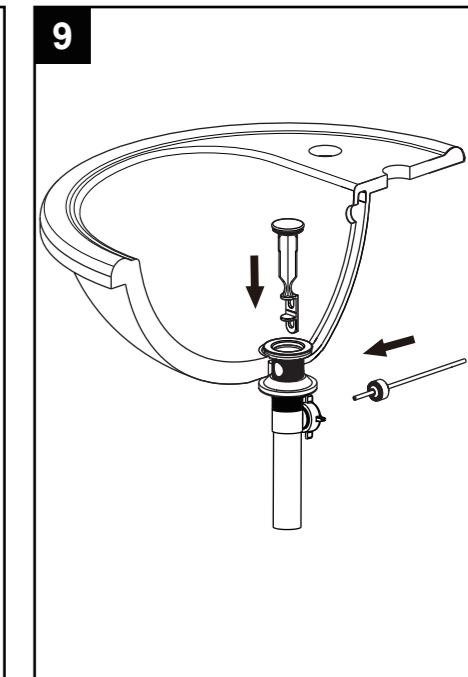
6 Remove aerator from the spout and let the water run for about 1 minute to clear any debris in the plumbing system. Re-attach the aerator.



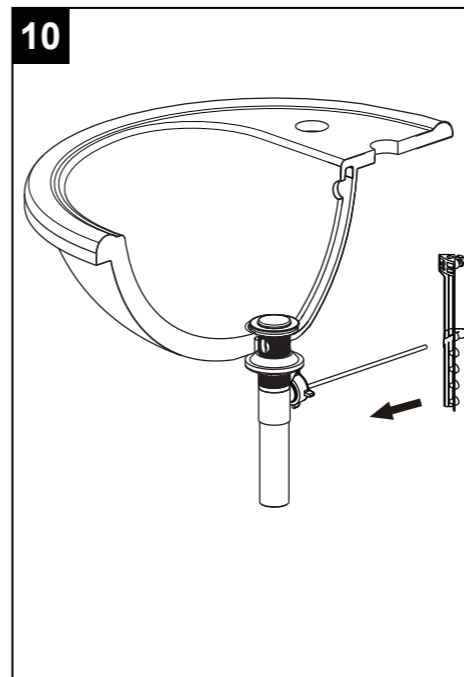
7 Apply teflontape to the thread on the drain.



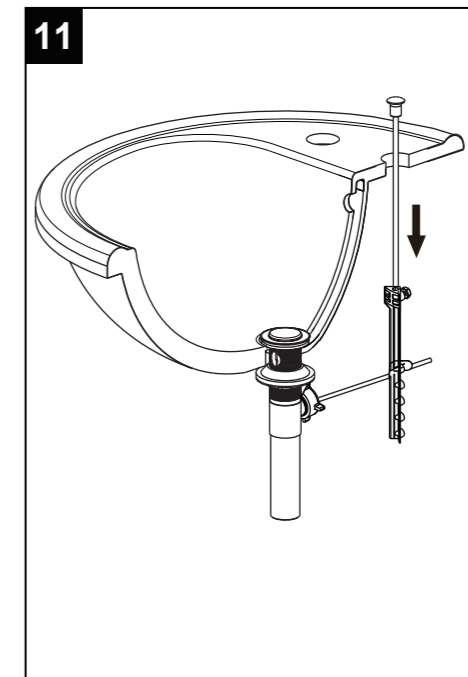
8 Slide drain trim and plug into drain hole and secure from below.



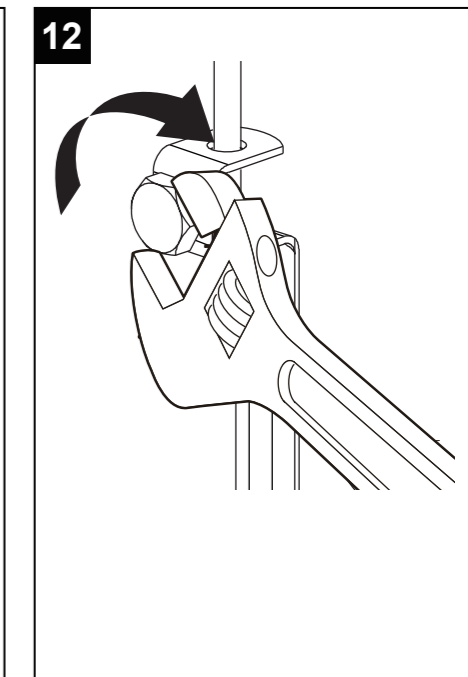
9 Install the drain plug assembly and the movable rod assembly into the pop-up assembly.



10 Fix the horizontal rod through the metal clip and lift rod strap.



11 Install the lift rod to the pop up.



12 Tighten the screw in the strap onto the lift rod.