



LAVATORY FAUCET

- **Dean Collection**
- **Single Handle Lavatory Faucet**
- **1 or 3-Hole Installation**

STANDARD SPECIFICATIONS

- Low lead metal spout
- Zinc handle
- Ceramic disc cartridge
- 1 or 3 hole installation
- 24" Flexible stainless steel inlet hose with 3/8" compression fitting
- 1.2gpm max @ 60psi

FINISHES INCLUDE

- Chrome (UF38100)
- PVD Brushed Nickel (UF38103)
- Oil Rubbed Bronze (UF38105)
- Matte Black (UF38107)
- Brushed Gold (UF38108)

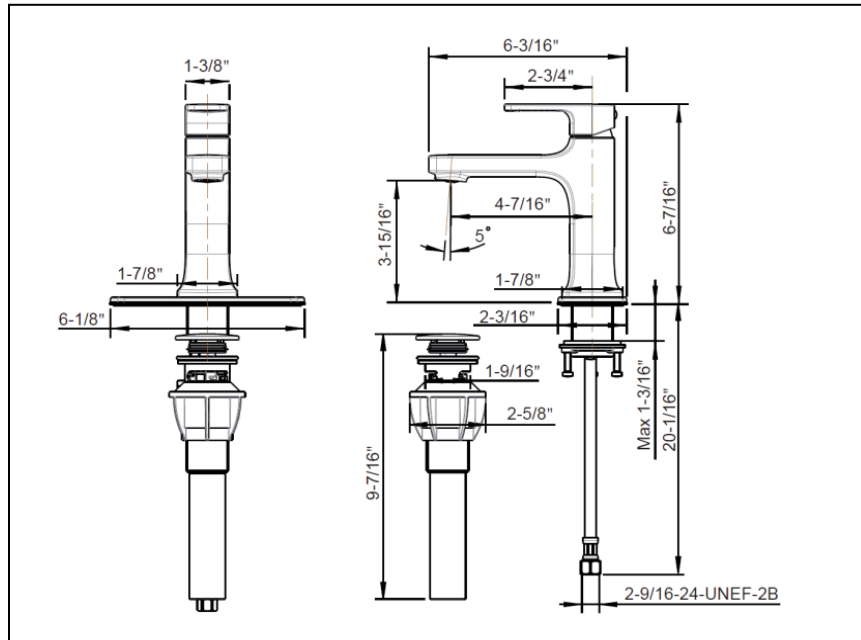
WARRANTY

- Limited lifetime warranty on workmanship and materials to the original purchaser



COMPLIES WITH

- NSF 61-9
- ASME A112.18.1
- CSA B125.1
- IAPMO/UPC/cUPC
- AB1953
- EPA WaterSense



tel. 888-OK-ULTRA (658-5872) • fax. 949-252-9989 • <http://www.ultrafaucets.com>

This specification is provided for reference only. Ultra Faucets reserves the right to modify specifications and materials without notice or obligation.