

EURO Collection

Single-Handle Vessel Lavatory Faucet



Installation/Installation/Instalación

CUSTOMER SERVICE

TOLL-FREE 1-888-OK-ULTRA (658-5872)

UF36600 - Polished Chrome

UF36603 - PVD Brushed Nickel

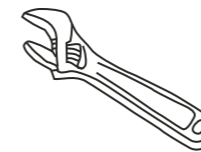
UF36605 - Oil Rubbed Bronze

UF36607 - Matte Black

UF36608 - Brushed Gold



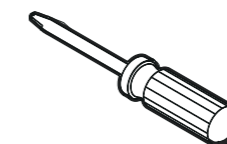
Tools You Will Need / Outils dont vous aurez besoin / Herramientas necesarias



Adjustable Wrench

Clé à molette

Llave ajustable



Phillips Screwdriver

Tournevis Phillips

Destornillador cruciforme



Pipe Tape

Ruban pour tuyau

Cinta selladora para raosc

SAFETY TIPS

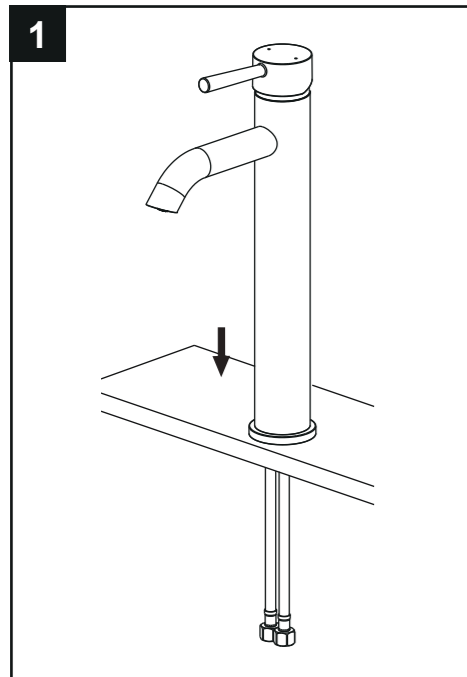
- If you use soldering for the installation of the faucet, the seats, cartridges and washers will have to be removed before using flame. Otherwise, warranty will be void on those parts.
- Cover your drain to avoid losing parts.
- 0°C~55°C.

CONSIGNES DE SÉCURITÉ

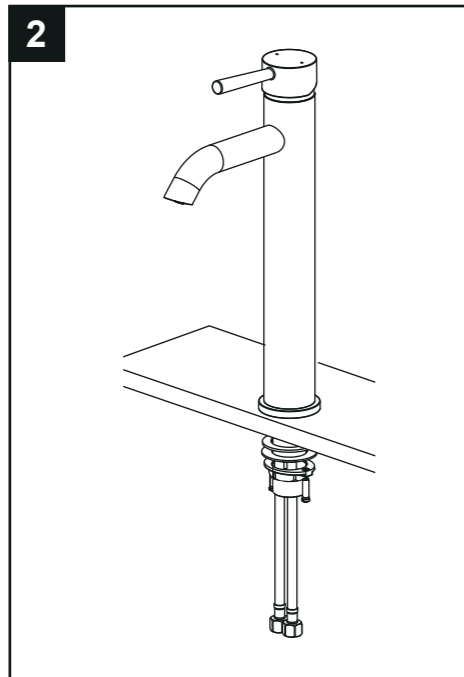
- Si vous posez le robinet par brasage, il est essentiel de retirer les sièges, les cartouches et les rondelles avant d'appliquer la flamme, faute de quoi la garantie sur ces pièces sera annulée.
- Couvrez le drain pour ne pas perdre des pièces.
- 0°C~55°C.

CONSEJOS DE SEGURIDAD

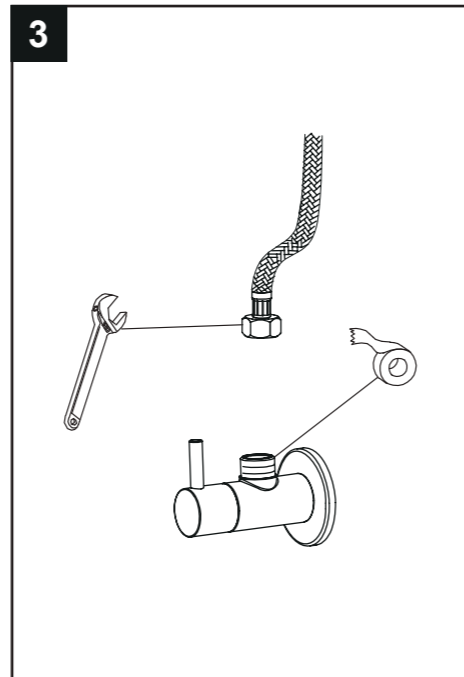
- En el caso de utilizar soldadura para instalar el grifo, remueva los asientos, cartuchos y arandelas antes de usar la llama. De lo contrario, se anulará la garantía para esos componentes.
- Tape la boca del desagüe para prevenir la pérdida de piezas pequeñas.
- 0°C~55°C.



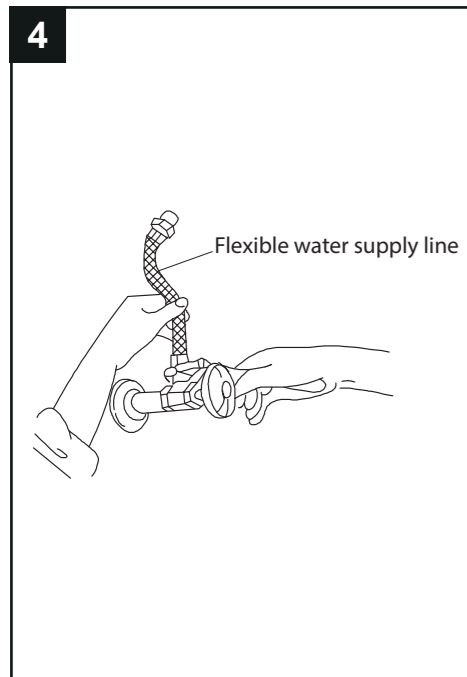
1 First place the new faucet through trim ring and mounting hole. The faucet hole should be 1 5/16"~1 1/2" in diameter on the mounting surface.



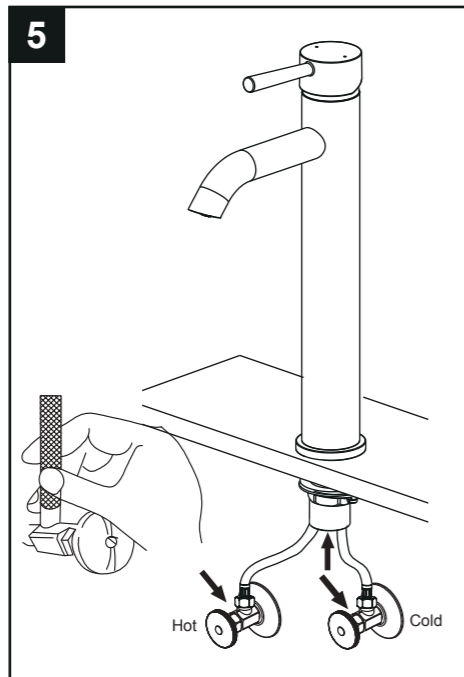
2 Slide the rubber washer, metal washer, and metal nut onto the shank and secure the faucet with two set screws.



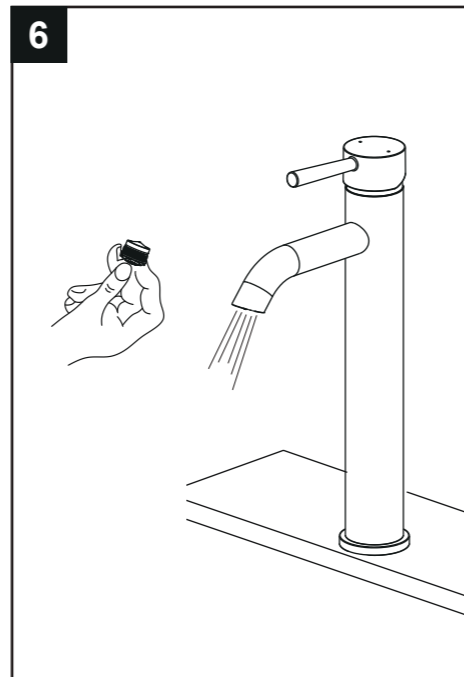
3 Apply Teflon (TPFE) tape on the shut off valves. Thread the tape in a counter-clockwise direction.



4 Use a wrench to tighten the hoses. Please do not over-tighten the connections.

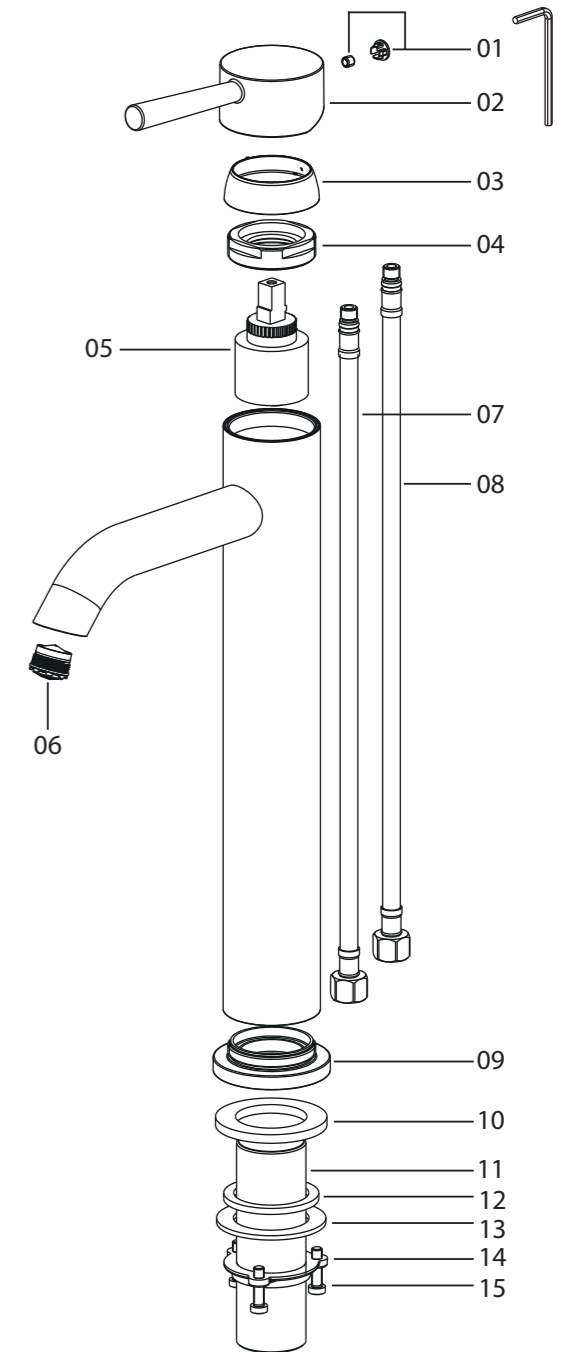


5 Turn on the water supply to check for leaks at all connections.



6 Remove aerator from the spout and let the water run for about 1 minute to clear any debris in the plumbing system. Re-attach the aerator.

NO.	Description	Part No.
1	Plug & Screw	9Q1200CP/AP/HA/HBW/RBG
2	Handle	5C0073200CP/AP/HA/HBW/RBG0A0
3	Escutcheon	5L0P0507CP/AP/HA/HBW/RBG
4	Nut	5T1A0011AL
5	Cartridge	5D0005300PL0
6	Aerator	5E0003800PL0
7	Braided Hose(Hot)	5G0M0069CC
8	Braided Hose(Cold)	5G0M0068CC
9	Flange	5N0055201CP/AP/HA/HBW/RBG0
10	Washer	5R4Q0009PL
11	Threaded Tube	5J0C024001CZ0
12	Washer	622094122
13	Gasket	5T2000900CZ0
14	Lock Nut	5T1C0124NT
15	Philips Set Screw	5T0003500ZZ0



Limited Lifetime Warranty

Ultra Faucets warrants to the original purchaser that its products will be free from defects in workmanship and materials. All Ultra Faucets are provided with a life time limited warranty. This warranty does not cover any other labor or service charges associated with the removal, repair, or reinstallation of Ultra Faucets products. This express warranty does not apply to products that have been damaged as a result of misuse, abuse, negligence, accident, faulty installation or maintenance practices and/or used in any manner contrary to those recommended by the manufacturer.

Need help? Please call our toll-free customer service line at 1-888-658-5872 for additional assistance or service.
Besoin d'aide? Veuillez communiquer avec notre service à la clientèle au numéro gratuit 1-888-658-5872 pour tous renseignements ou services complémentaires.
¿Requiere asistencia? Llame a nuestro Servicio al Cliente, sin costo, al 1-888-658-5872 para asistencia adicional o servicio.