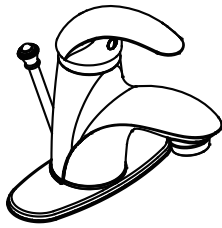




Thank you for selecting our product for your home. We hope that you are completely satisfied with your purchase. Please read below instructions carefully before installing new faucet.



BEFORE PROCEEDING

WARNING: A professional is recommended to install this product! This product should be installed in accordance with all local and state plumbing and building codes.

Tools you will need:

- Adjustable Wrench
- Water Supply Lines
- Pipe Tape
- Screwdriver
- Silicone Sealant



Care & Maintenance:

- To keep the product clean & shining, follow the steps below:

1. Rinse with clean water & dry with a soft cloth.
2. Do not clean with soaps, acid, polish, abrasives, or harsh cleaners.
3. Do not use cloth with a coarse surface.
4. Unscrew the aerator and clean when necessary.

- This installation manual is subject to change without further notice.

- Please read your care and maintenance documentation to determine the limits of proper use.

- This product has been manufactured and tested to the highest quality standards. We offer our customers thoughtfully crafted fixtures & accessories, engineered for enduring performance over years of use.



Single Handle Lavatory Faucet With Pop-up Drain Model#: UF3412X

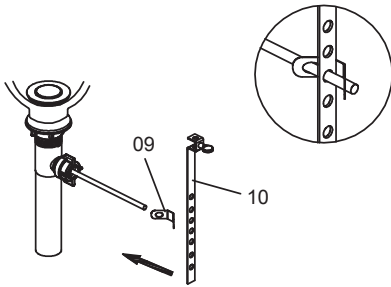
Prior to Installation:

- Turn off the hot and cold water supply at the angle stops and turn on the old faucet to release any built up pressure. Remove existing faucet. Clean sink or countertop to remove any debris, plumber's putty, or silicone.
- Place bucket under angle stops. Turn on to flush any debris prior to installing new plumbing. Shut off angle stops.
- Pre-drilled hole size requirement: 1-1/4" (min) – 1-3/8" (max)
- Max countertop thickness: 1-1/2"

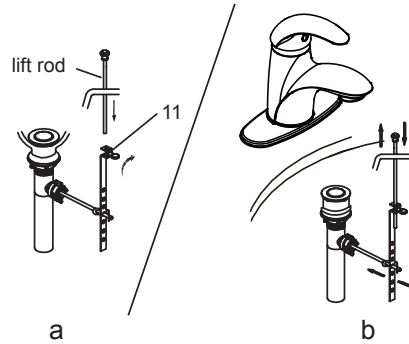
Installation:

<p>1. Place new faucet through rubber washer (A) for single hole installation, For 3 hole installation, place new faucet through rubber washer, escutcheon and base plate and mounting holes in sink.</p> <p>One hole installation Three holes installation</p>	<p>2. Insert the rubber washer(B), metal washer, and secure the faucet with the mounting nut.</p> <p>Rubber washer-B Metal washer Mounting</p>	<p>3A</p> <p>3B</p>
<p>3A. Stainless steel Braided Faucet supply Tubes: This is the simplest of all installations. If you are using stainless steel braided faucet supply tubes, this faucet requires one end of the supply tube to have a 1/2" female IPS connection. The other end of this supply tube must match the thread on the water supply fittings or shut off valve under your sink. Once you have identified the required tube, carefully follow the manufacturer's installations instructions for each tube.</p> <p>3B. Ball Nose Flexible Supplies: If you are using ball-nose flexible supplies to connect the faucet to water supply lines; Slip coupling nut behind ball-nose of flexible supply tube. Ball nose coupling will go Partially into IPS shank or fitting. Tighten coupling nut (DO NOT OVER TIGHTEN). Install opposite end according to manufacturer's instructions for both tubes.</p>	<p>4A. Pop up Drain Installation:</p> <ol style="list-style-type: none"> a. Remove flange(01), rubber washer(02), from the pop-up assembly. b. Put the pipe body(04) into the sink hole, install the rubber washer(02) and the flange(01), tighten the mounting nut(03) use wrench. <p>Pop up Drain Installation</p>	<p>4B. Unscrew the nut(08) from the pipe body(04), retain the white washer(06), then take off the spring clip(09) from the ball rod(07). insert the stopper(05), insert the ball rod into the side hole of drain, slide the nut on and tighten securely.</p>

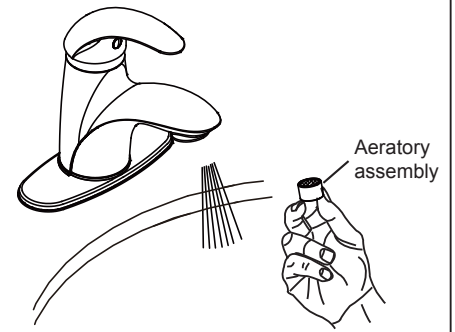
4C. Install the spring clip(09) on the ball rod, simultaneously, insert the linker(10).



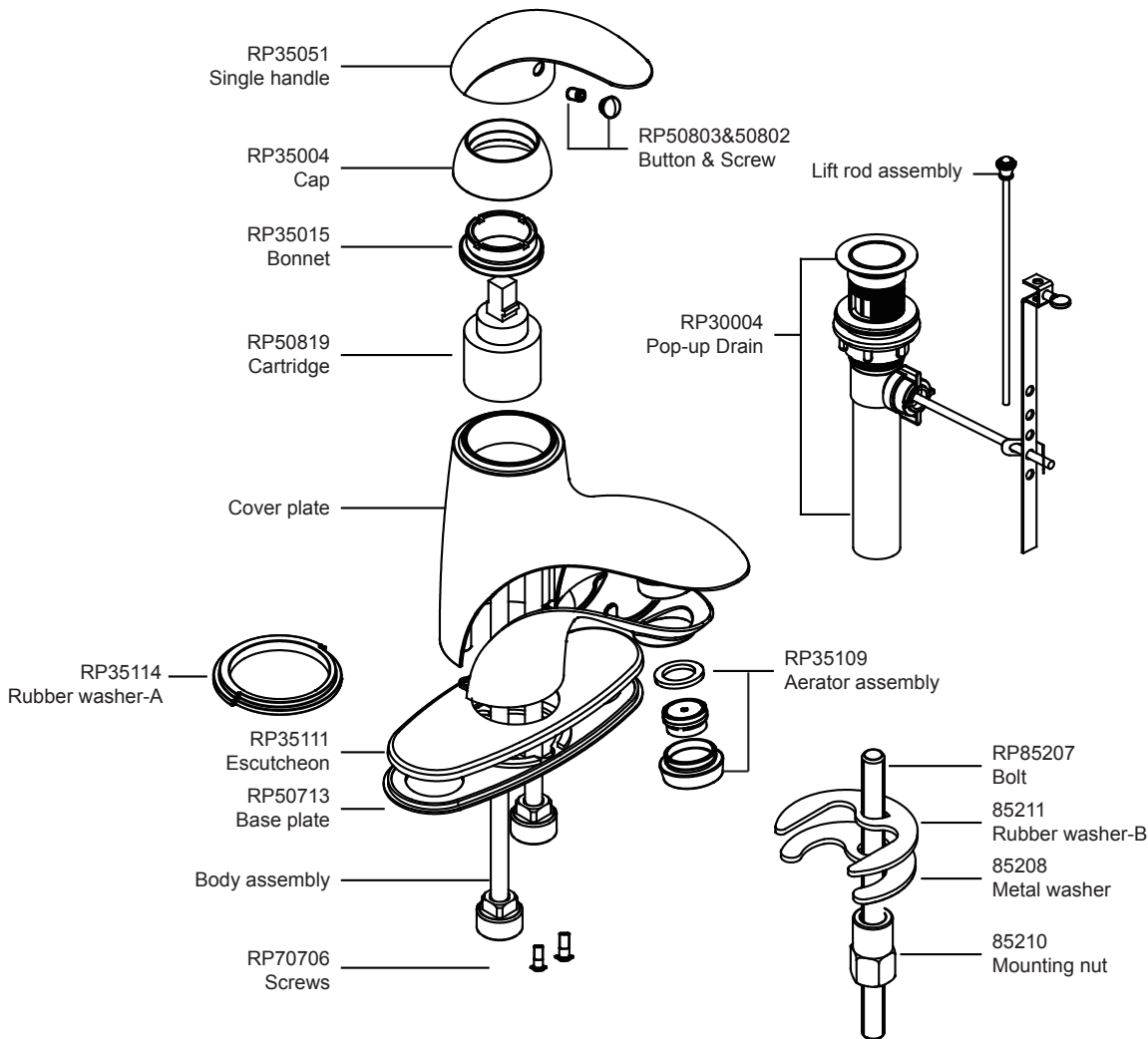
4D: a. Insert lift rod into sink hole, through the linker hole, Tighten the lock nut(11).
b: Move the linker along the ball rod, pull the lift rod knob up and down, move the linker at proper location.



5: a. Insert lift rod into sink hole, through the linker hole, Tighten the lock nut.
b: Move the linker along the ball rod, pull the lift rod knob up and down, move the linker at proper location.



Exploded Drawing RP(Replacement Parts)



Limited Lifetime Warranty

Ultra faucets warrants to the original purchaser that its products will be free from defects in workmanship and materials. All Ultra Faucets are provided with a life time limited warranty. This warranty does not cover any other labor or service charges associated with the removal, repair, or reinstallation of Ultra Faucets products. This express warranty does not apply to products that have been damaged as a result of misuse, abuse, negligence, accident, faulty installation or maintenance practices and/or used in any manner contrary to those recommended by the manufacturer.