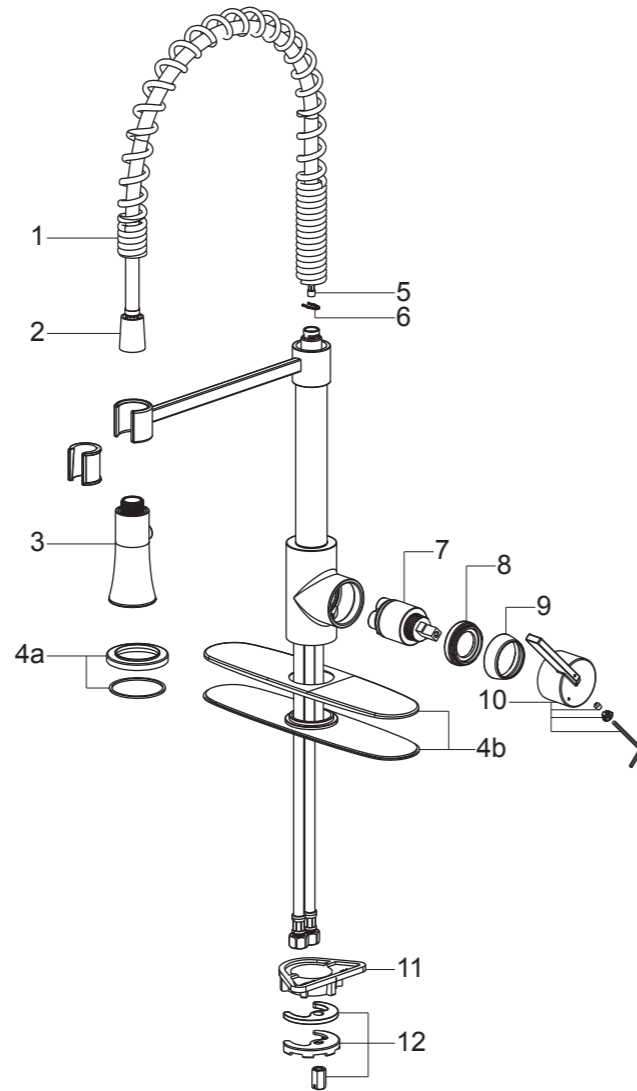


Replacement Parts / Pièces de rechange / Repuestos

UF17200
UF17203
UF17205
UF17207

NO.	Description	Part No.
1	Spring	5T3005600CC/AP/HA/HBW0
2	Hose	5G0024900CP/AP/HA/HBW0
3	Spray Head	5F0014300CP/AP/HA/HBW0
4a	Flange	9Q171400CP/AP/HA/HBW
4b	Deckplate Assembly	5Y0165500CP/AP/HA/HBW0
5	Flow-Limiting Valve	5X0P0086PL
6	Clamping Ring	5M0004500NT0
7	Cartridge	5D0004300PL0
8	Bonnet	5T1A0003AL
9	Cap	5L0P0506CP/AP/HA/HBW
10	Handle Assembly	5Y0263800CP/AP/HA/HBW0
11	Guide	53001413PL
12	Mounting Hardware	5Q0M0207NT



Limited Lifetime Warranty

Ultra Faucets warrants to the original purchaser that its products will be free from defects in workmanship and materials. All Ultra Faucets are provided with a life time limited warranty. This warranty does not cover any other labor or service charges associated with the removal, repair, or reinstallation of Ultra Faucets products. This express warranty does not apply to products that have been damaged as a result of misuse, abuse, negligence, accident, faulty installation or maintenance practices and/or used in any manner contrary to those recommended by the manufacturer.

Need help? Please call our toll-free customer service line at 1-888-658-5872 for additional assistance or service.

Besoin d'aide? Veuillez communiquer avec notre service à la clientèle au numéro gratuit 1-888-658-5872 pour tous renseignements ou services complémentaires.

¿Requiere asistencia? Llame a nuestro Servicio al Cliente, sin costo, al 1-888-658-5872 para asistencia adicional o servicio.

Euro Collection

Spring Spout Kitchen Faucet



Installation/Installation/Instalación

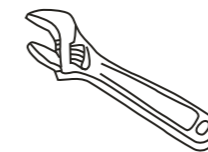
CUSTOMER SERVICE

TOLL-FREE 1-888-OK-ULTRA (658-5872)

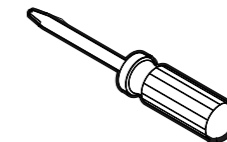
UF17200 - Polished Chrome
UF17203 - PVD Brushed Nickel
UF17205 - Oil Rubbed Bronze
UF17207 - Matte Black



Tools You Will Need / Outils dont vous aurez besoin / Herramientas necesarias



Adjustable Wrench
Clé à molette
Llave ajustable



Phillips Screwdriver
Tournevis Phillips
Destornillador cruciforme

SAFETY TIPS

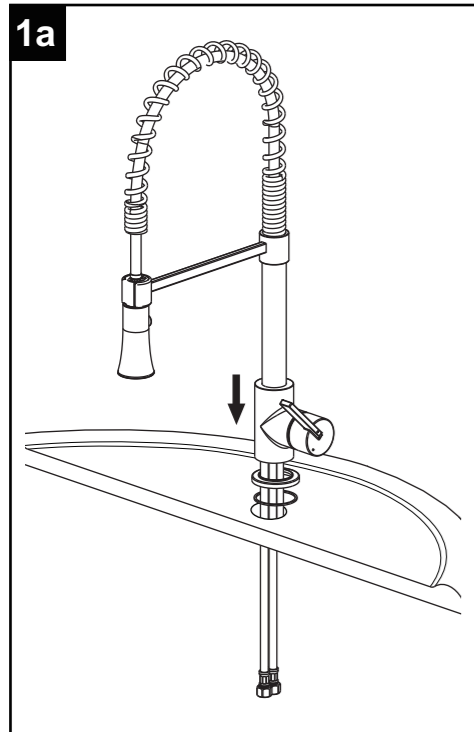
- If you use soldering for the installation of the faucet, the seats, cartridges and washers will have to be removed before using flame. Otherwise, warranty will be void on those parts.
- Cover your drain to avoid losing parts.
- 0°C~55°C.

CONSIGNES DE SÉCURITÉ

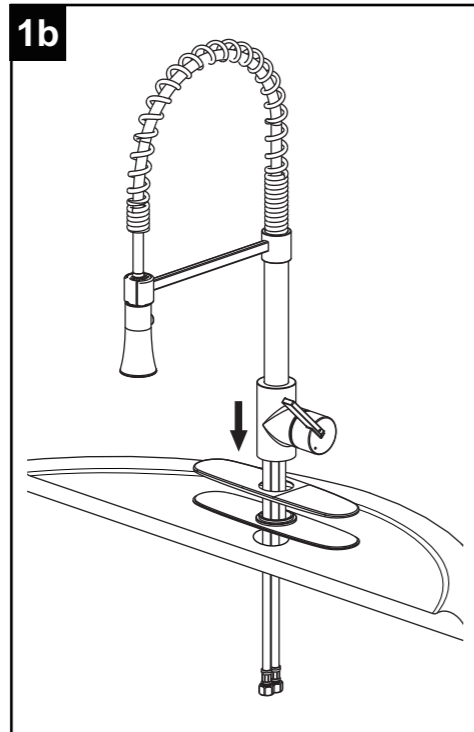
- Si vous posez le robinet par brasage, il est essentiel de retirer les sièges, les cartouches et les rondelles avant d'appliquer la flamme, faute de quoi la garantie sur ces pièces sera annulée.
- Couvrez le drain pour ne pas perdre des pièces.
- 0°C~55°C.

CONSEJOS DE SEGURIDAD

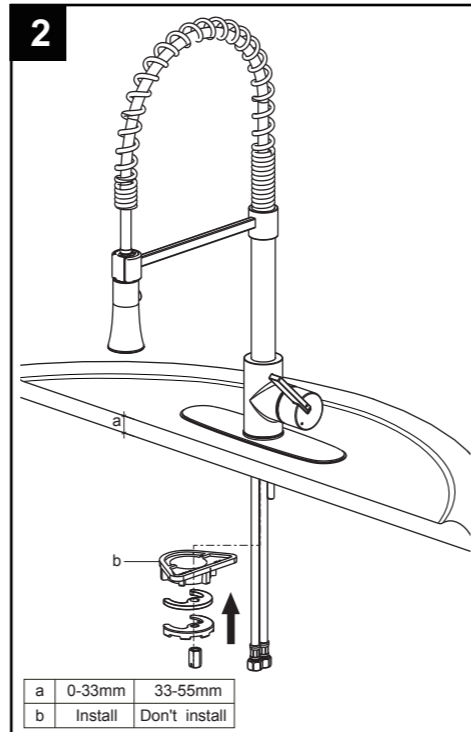
- En el caso de utilizar soldadura para instalar el grifo, remueva los asientos, cartuchos y arandelas antes de usar la llama. De lo contrario, se anulará la garantía para esos componentes.
- Tape la boca del desagüe para prevenir la pérdida de piezas pequeñas.
- 0°C~55°C.



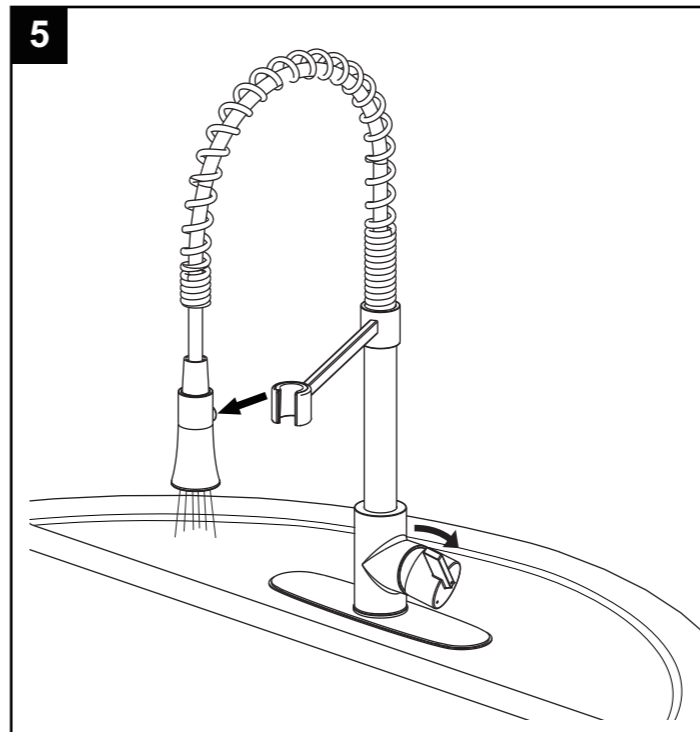
Install flange onto the faucet. If installing the faucet with escutcheon, begin with 1b.



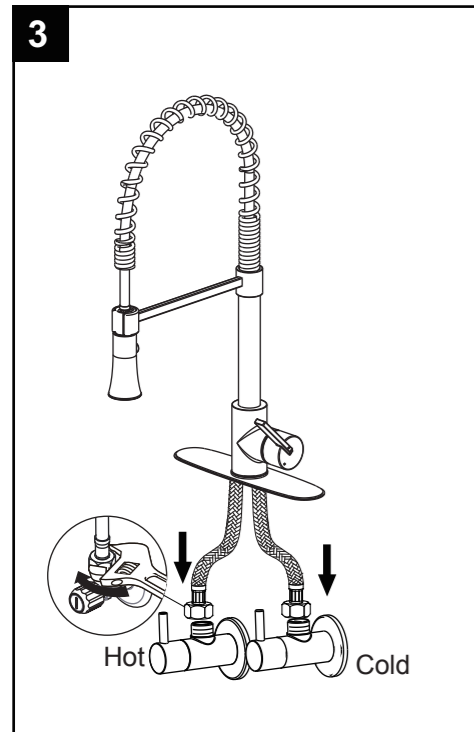
Install the 8" base and deck plate onto the faucet.



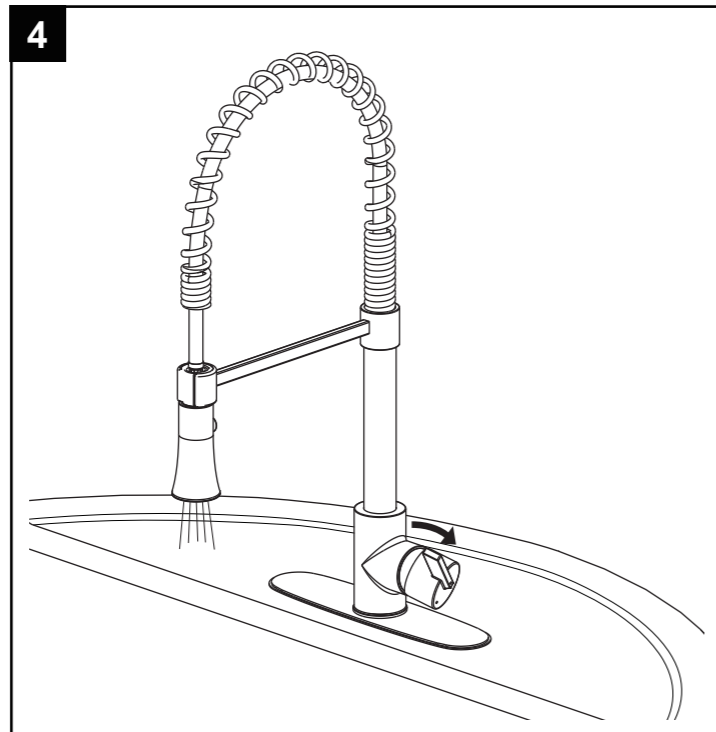
Put the faucet into the mounting hole, and fix with the mounting hardware



Press the spray head button into the other position as shown by the arrow to check for the operation. This position is for the spray function.



Connect the water supply lines to the hot and cold angle stops.



Turn on the handle to check the operation. This position is for stream function.