

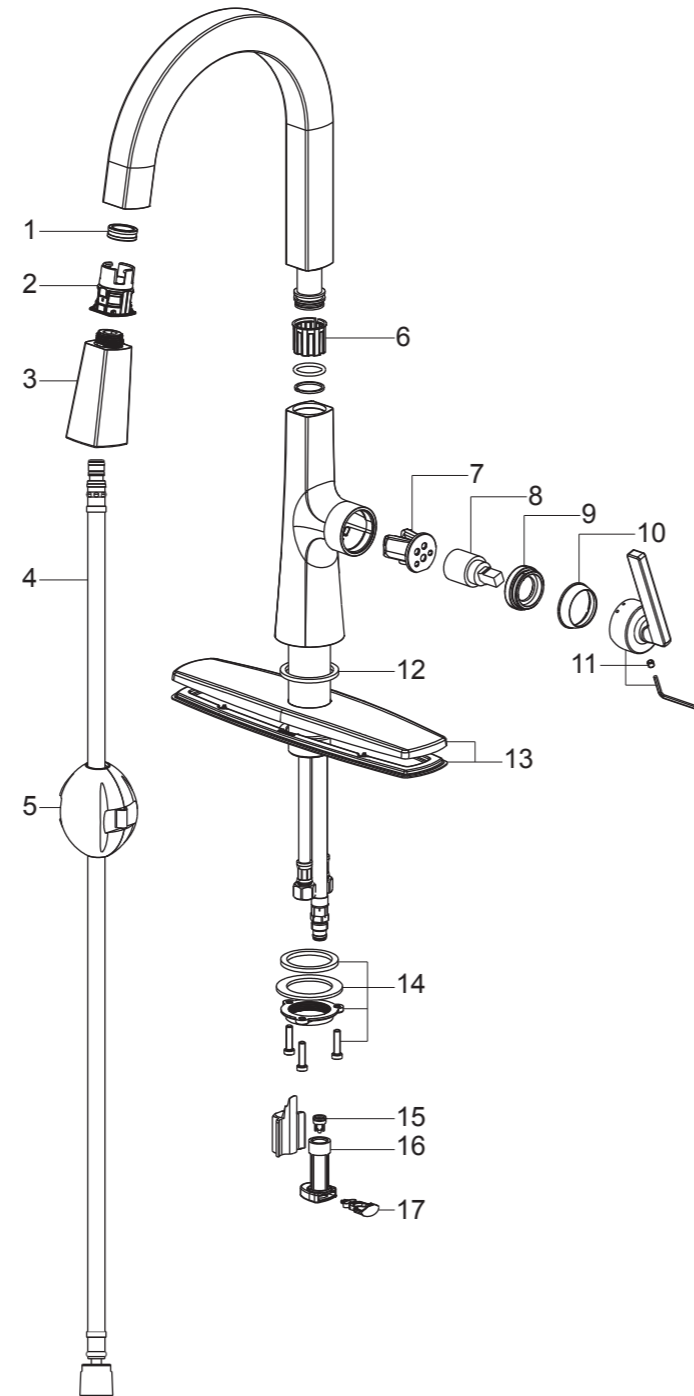
UF17000  
UF17003  
UF17007

# Ardua Collection

Pull-down Kitchen Faucet



NO.	Description	Part No.
1	Magnet	5X0005500NC0
2	Hose Guide	5L0146500PL0
3	Spray Head	5F0014200CP/AP/HA/HBW0
4	Hose	5G0008900CP/AP/HA/HBW7
5	Weight	5X0241302PL0
6	Lock Ring	5M0013300PL0
7	Base of the Cartridge	5N0C050901NT7
8	Cartridge	5D0M0023PL
9	Bonnet	5N0C069701NT0
10	Cap	5L0C0283CP/AP/HA/HBW
11	Handle Assembly	5Y0263500CP/AP/HA/HBW0
12	Washer	51014142PL
13	Deck plate	5Y0263600CP/AP/HA/HBW0
14	Mounting Hardware	5Y0263700NT0
15	Check Valve	5D0M0003PL
16	Quick Connector	5L0P0440PL
17	Retainer Clip	5M0P0132PL



## Installation/Installation/Instalación

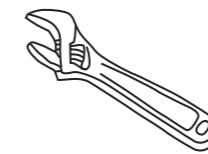
### CUSTOMER SERVICE

TOLL-FREE 1-888-OK-ULTRA (658-5872)

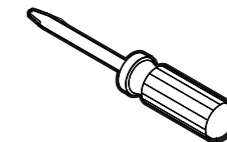
UF17000 - Polished Chrome  
UF17003 - PVD Brushed Nickel  
UF17007 - Matte Black



### Tools You Will Need / Outils dont vous aurez besoin / Herramientas necesarias



Adjustable Wrench  
Clé à molette  
Llave ajustable



Phillips Screwdriver  
Tournevis Phillips  
Destornillador cruciforme

### Limited Lifetime Warranty

Ultra Faucets warrants to the original purchaser that its products will be free from defects in workmanship and materials. All Ultra Faucets are provided with a life time limited warranty. This warranty does not cover any other labor or service charges associated with the removal, repair, or reinstallation of Ultra Faucets products. This express warranty does not apply to products that have been damaged as a result of misuse, abuse, negligence, accident, faulty installation or maintenance practices and/or used in any manner contrary to those recommended by the manufacturer.

**Need help?** Please call our toll-free customer service line at 1-888-658-5872 for additional assistance or service.

**Besoin d'aide?** Veuillez communiquer avec notre service à la clientèle au numéro gratuit 1-888-658-5872 pour tous renseignements ou services complémentaires.

**¿Requiere asistencia?** Llame a nuestro Servicio al Cliente, sin costo, al 1-888-658-5872 para asistencia adicional o servicio.

### SAFETY TIPS

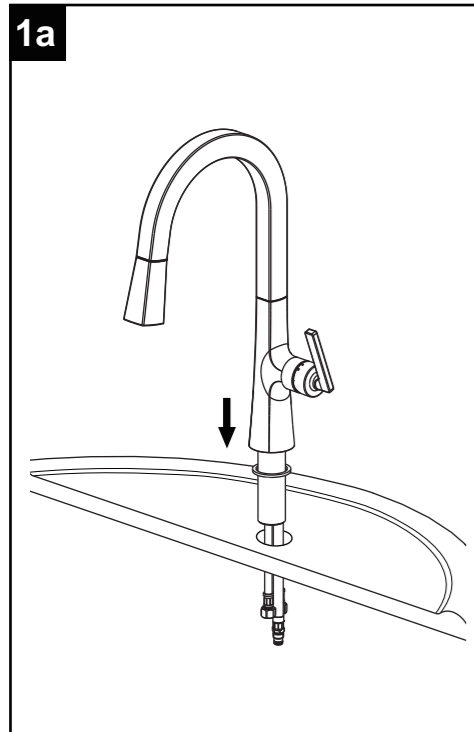
- If you use soldering for the installation of the faucet, the seats, cartridges and washers will have to be removed before using flame. Otherwise, warranty will be void on those parts.
- Cover your drain to avoid losing parts.
- 0°C~55°C.

### CONSIGNES DE SÉCURITÉ

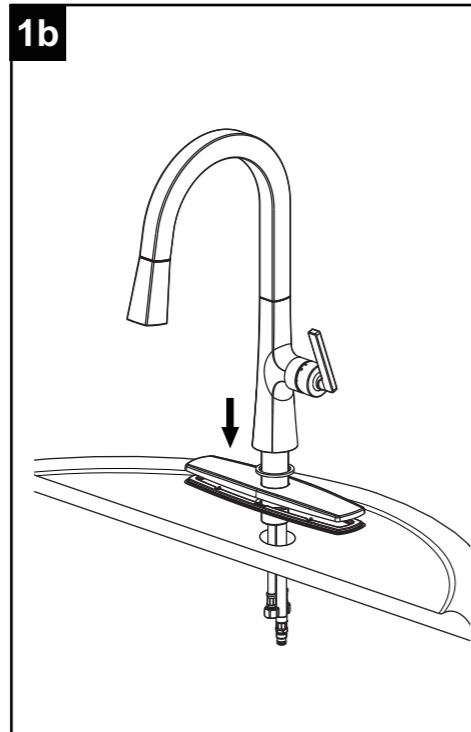
- Si vous posez le robinet par brasage, il est essentiel de retirer les sièges, les cartouches et les rondelles avant d'appliquer la flamme, faute de quoi la garantie sur ces pièces sera annulée.
- Couvrez le drain pour ne pas perdre des pièces.
- 0°C~55°C.

### CONSEJOS DE SEGURIDAD

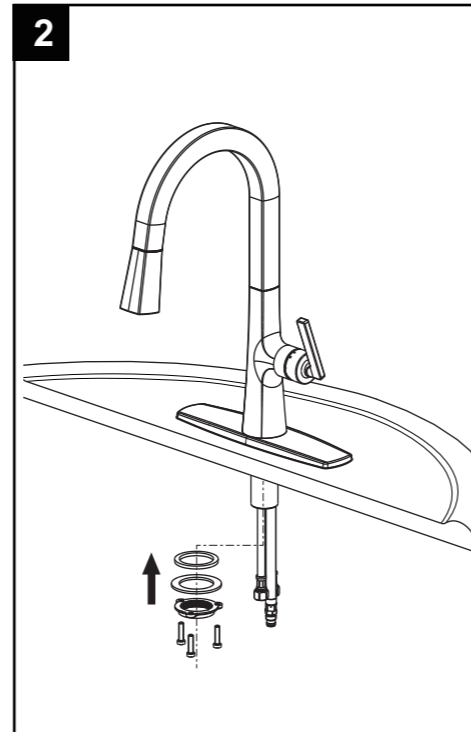
- En el caso de utilizar soldadura para instalar el grifo, remueva los asientos, cartuchos y arandelas antes de usar la llama. De lo contrario, se anulará la garantía para esos componentes.
- Tape la boca del desagüe para prevenir la pérdida de piezas pequeñas.
- 0°C~55°C.



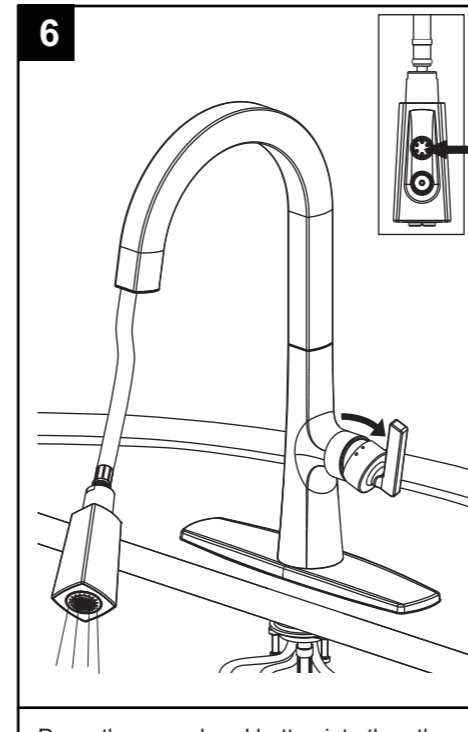
1a  
Install washer to the bottom of the spout.  
If installing the faucet with escutcheon,  
begin with 1b.



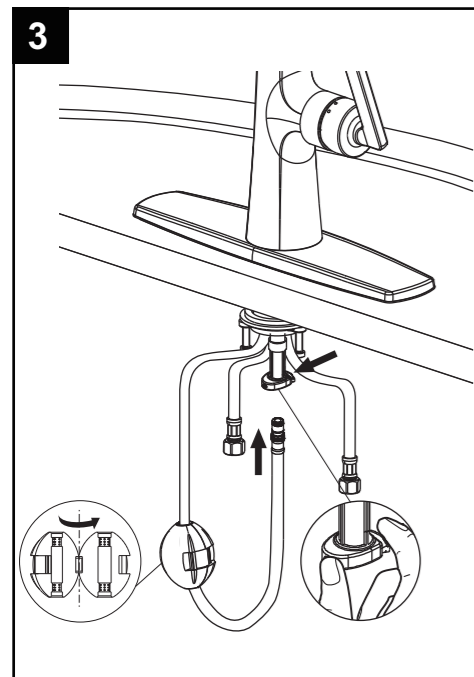
1b  
Place escutcheon assembly onto the faucet.



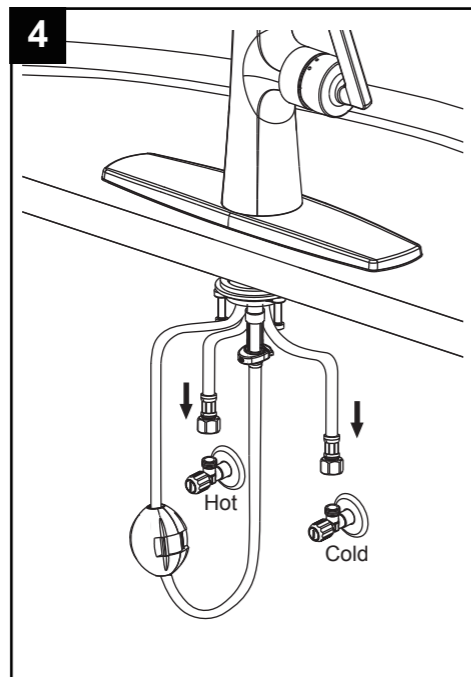
2  
Carefully tighten spout mounting  
hardware to secure faucet.



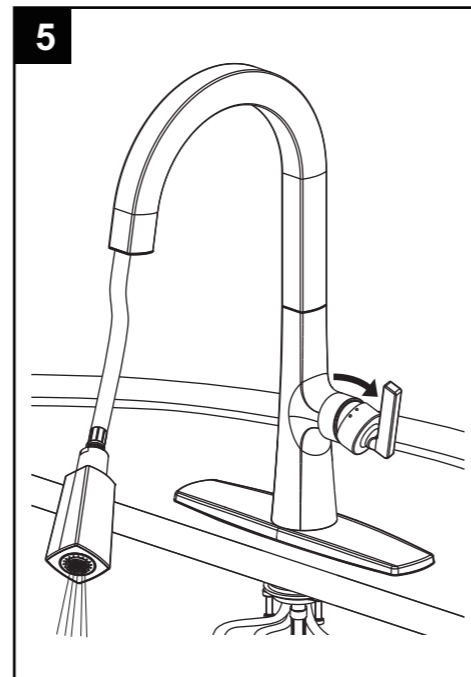
6  
Press the spray head button into the other  
position as shown by the arrow to check for  
the operation.  
This position is for the spray function.



3  
Install the pull-down hose to quick connector.  
Press the retainer clip of quick connector with  
hand for quick connecting.  
Set the weight on the appropriate location of  
the pull-down hose .



4  
Connect to water supplies ( hot and cold  
angle valves).



5  
Turn on the handle to check the operation.  
This position is for stream function.