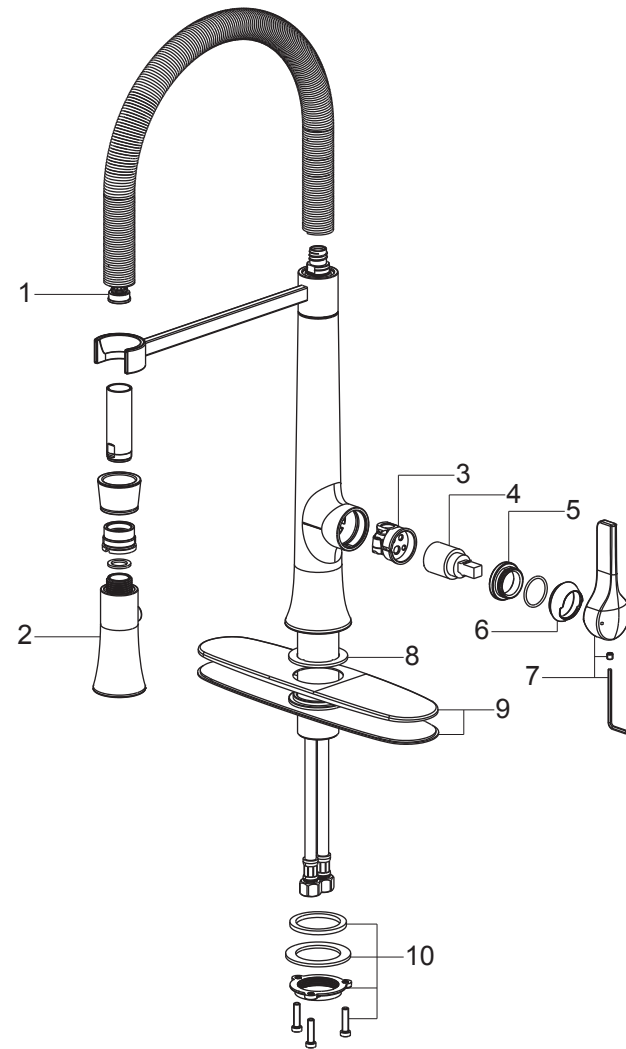


NO.	Description	Part No.
1	Hose	5G0032700NT7
2	Spray Head	5F0014300CP/AP0
3	Base of the Cartridge	5N0031901NT1
4	Cartridge	5D0M0023PL
5	Bonnet	5T1013801NT0
6	Cap	5L0119400CP/AP0
7	Handle Assembly	5Y0263800CP/AP0
8	Washer	5R4022000PL0
9	Deck Plate	5Y0165500CP/AP0
10	Mounting Hardware	5Y0219800CZ0



Limited Lifetime Warranty

Ultra Faucets warrants to the original purchaser that its products will be free from defects in workmanship and materials. All Ultra Faucets are provided with a life time limited warranty. This warranty does not cover any other labor or service charges associated with the removal, repair, or reinstallation of Ultra Faucets products. This express warranty does not apply to products that have been damaged as a result of misuse, abuse, negligence, accident, faulty installation or maintenance practices and/or used in any manner contrary to those recommended by the manufacturer.

Need help? Please call our toll-free customer service line at 1-888-658-5872 for additional assistance or service.

Besoin d'aide? Veuillez communiquer avec notre service à la clientèle au numéro gratuit 1-888-658-5872 pour tous renseignements ou services complémentaires.

¿Requiere asistencia? Llame a nuestro Servicio al Cliente, sin costo, al 1-888-658-5872 para asistencia adicional o servicio.

Nita Collection

Spring Spout Kitchen Faucet



Installation/Installation/Instalación

CUSTOMER SERVICE

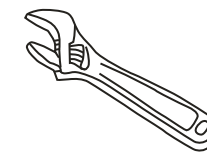
TOLL-FREE 1-888-OK-ULTRA (658-5872)

UF16900 - Polished Chrome

UF16903 - PVD Brushed Nickel



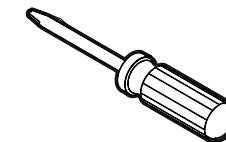
Tools You Will Need / Outils dont vous aurez besoin / Herramientas necesarias



Adjustable Wrench

Clé à molette

Llave ajustable



Phillips Screwdriver

Tournevis Phillips

Destornillador cruciforme

SAFETY TIPS

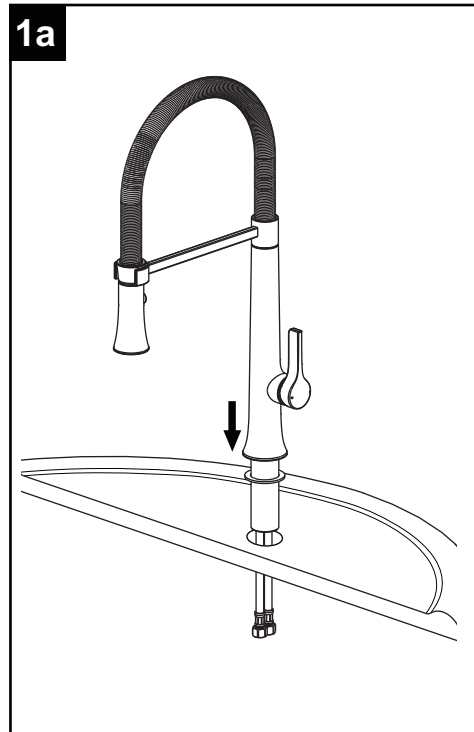
- If you use soldering for the installation of the faucet, the seats, cartridges and washers will have to be removed before using flame. Otherwise, warranty will be void on those parts.
- Cover your drain to avoid losing parts.
- 0°C~55°C.

CONSIGNES DE SÉCURITÉ

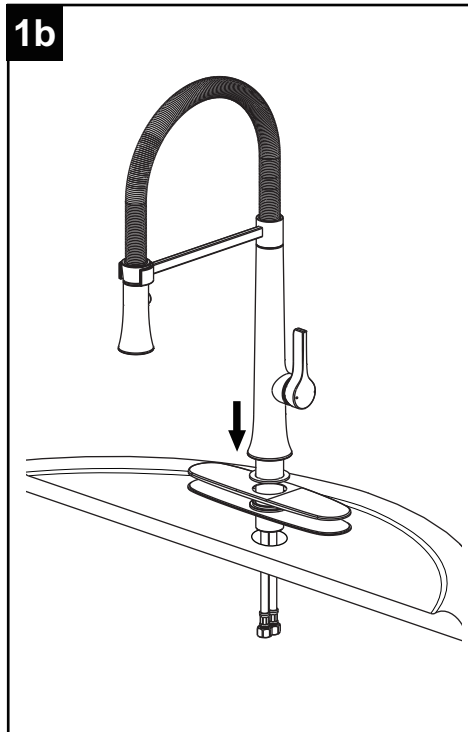
- Si vous posez le robinet par brasage, il est essentiel de retirer les sièges, les cartouches et les rondelles avant d'appliquer la flamme, faute de quoi la garantie sur ces pièces sera annulée.
- Couvrez le drain pour ne pas perdre des pièces.
- 0°C~55°C.

CONSEJOS DE SEGURIDAD

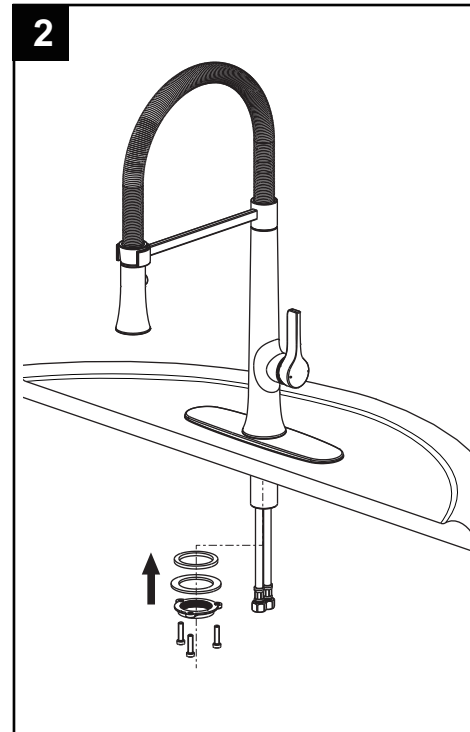
- En el caso de utilizar soldadura para instalar el grifo, remueva los asientos, cartuchos y arandelas antes de usar la llama. De lo contrario, se anulará la garantía para esos componentes.
- Tape la boca del desagüe para prevenir la pérdida de piezas pequeñas.
- 0°C~55°C.



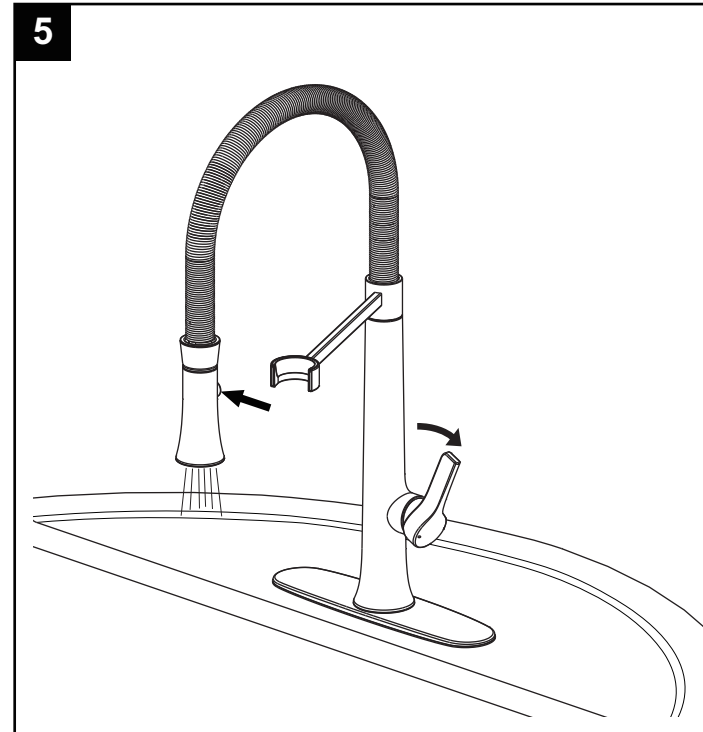
1a
Install washer to the bottom of the spout.
If installing the faucet with deck plate,
begin with 1b.



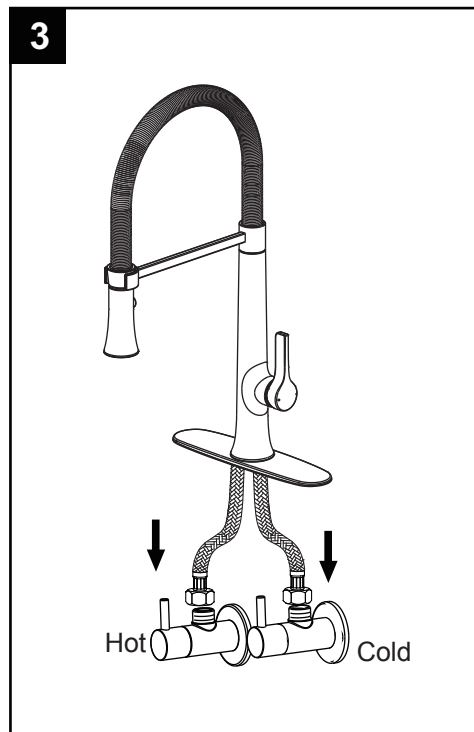
1b
Place deck plate assembly onto the faucet.



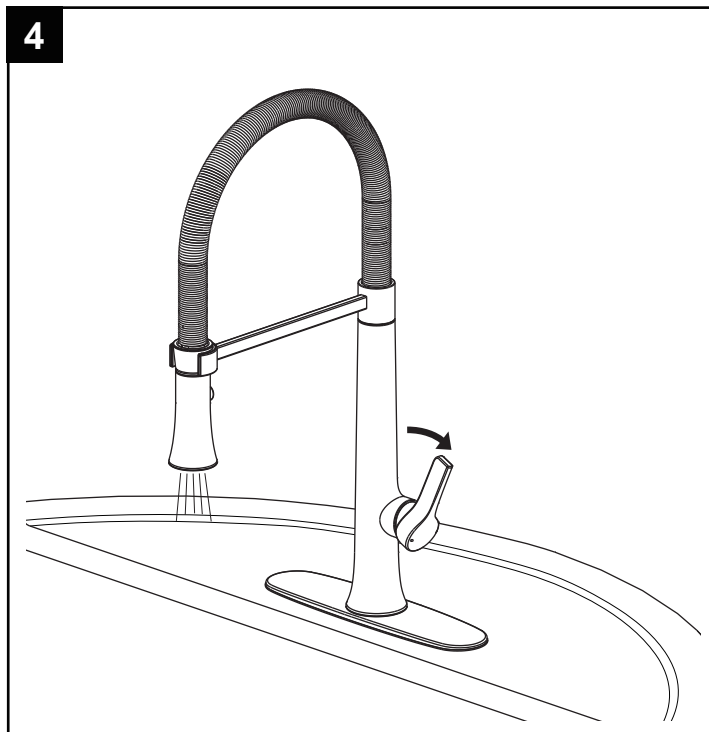
2
Carefully tighten spout mounting
hardware to secure faucet.



5
Press the spray head button into the other position as shown
by the arrow to check for the operation.
This position is for the spray function.



3
Connect the water supply lines to
the hot and cold angle stops.



4
Turn on the handle to check the operation.
This position is for stream function.