

EURO Collection

Pull-down Kitchen Faucet



Installation/Installation/Instalación

CUSTOMER SERVICE

TOLL-FREE 1-888-OK-ULTRA (658-5872)

UF14900 - Polished Chrome

UF14903 - PVD Brushed Nickel

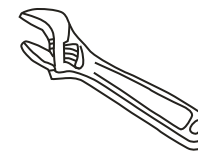
UF14905 - Oil Rubbed Bronze

UF14907 - Matte Black

UF14908 - Brushed Gold



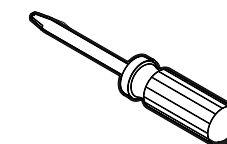
Tools You Will Need / Outils dont vous aurez besoin / Herramientas necesarias



Adjustable Wrench

Clé à molette

Llave ajustable



Phillips Screwdriver

Tournevis Phillips

Destornillador cruciforme



Pipe Tape

Ruban pour tuyau

Cinta selladora para tubería

SAFETY TIPS

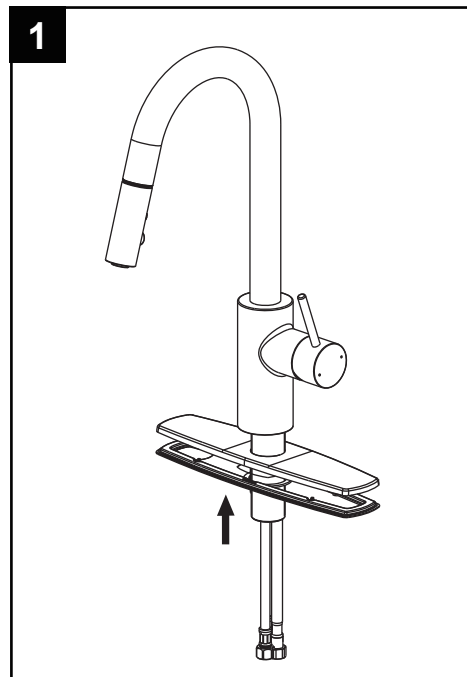
- If you use soldering for the installation of the faucet, the seats, cartridges and washers will have to be removed before using flame. Otherwise, warranty will be void on those parts.
- Cover your drain to avoid losing parts.
- 0°C~55°C.

CONSIGNES DE SÉCURITÉ

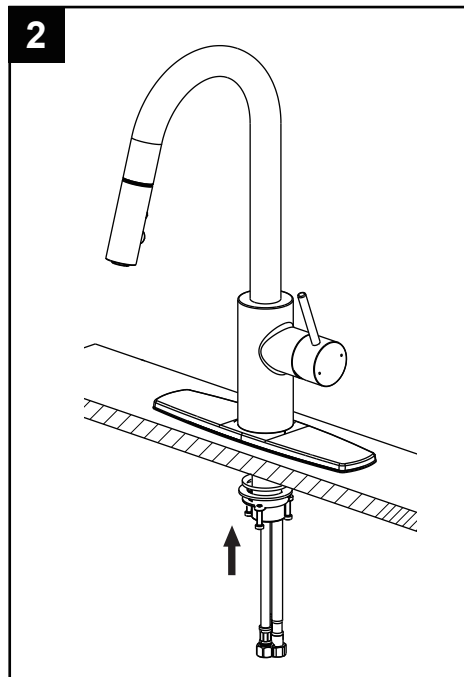
- Si vous posez le robinet par brasage, il est essentiel de retirer les sièges, les cartouches et les rondelles avant d'appliquer la flamme, faute de quoi la garantie sur ces pièces sera annulée.
- Couvrez le drain pour ne pas perdre des pièces.
- 0°C~55°C.

CONSEJOS DE SEGURIDAD

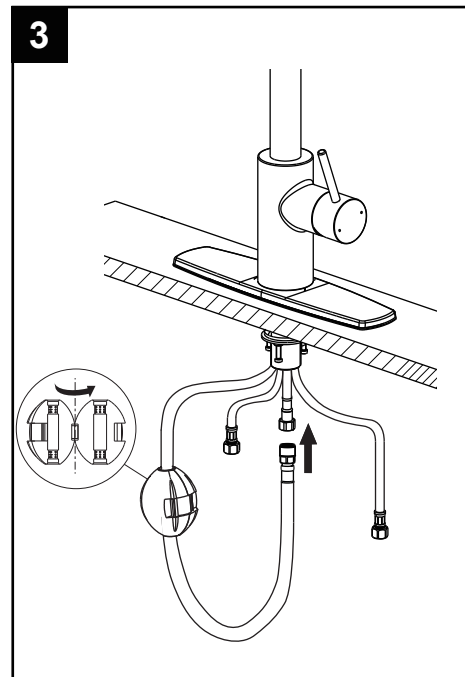
- En el caso de utilizar soldadura para instalar el grifo, remueva los asientos, cartuchos y arandelas antes de usar la llama. De lo contrario, se anulará la garantía para esos componentes.
- Tape la boca del desagüe para prevenir la pérdida de piezas pequeñas.
- 0°C~55°C.



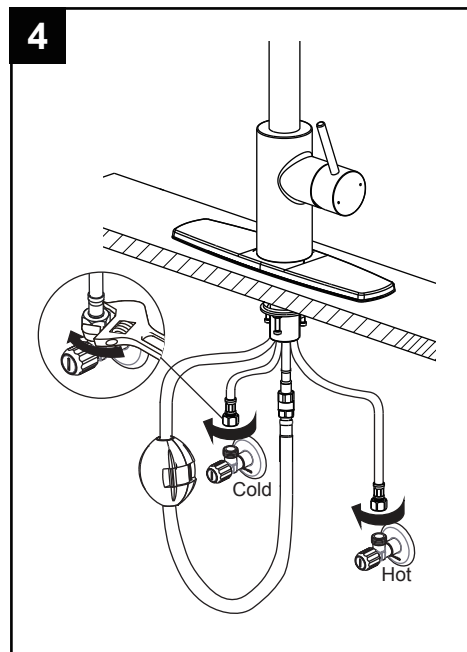
1
Install the 8" base and deck plate onto the faucet shank.



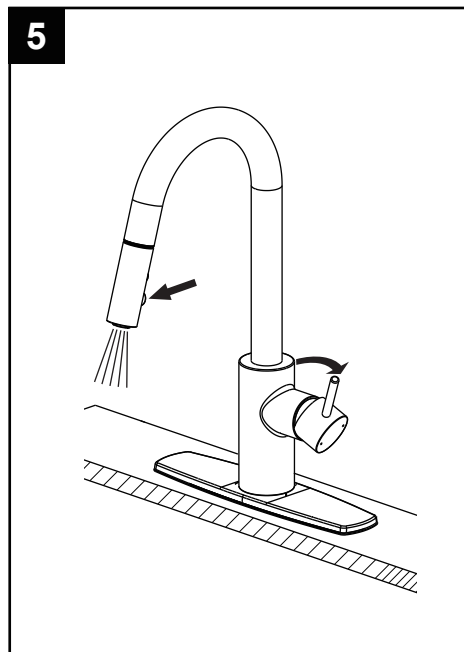
2
Install the rubber washer, metal washer, and mounting nut onto the shank and tighten the mounting nut.



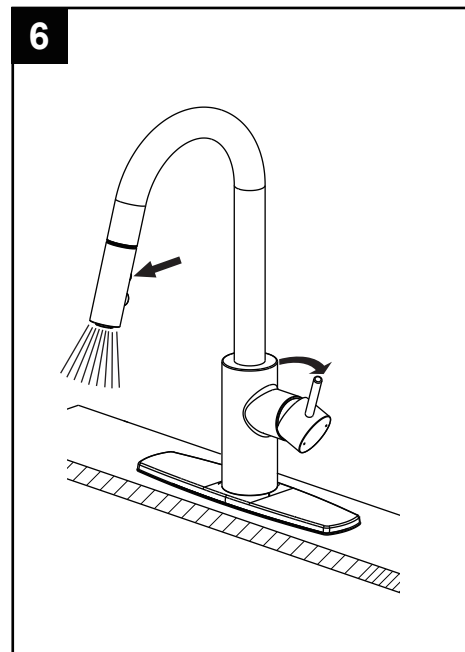
3
Fasten the hose weight to the spray hose with screws, and connect the spray hose to the water inlet hose.



4
Connect the hot and cold inlet hoses to the supply valves and tighten with a wrench.

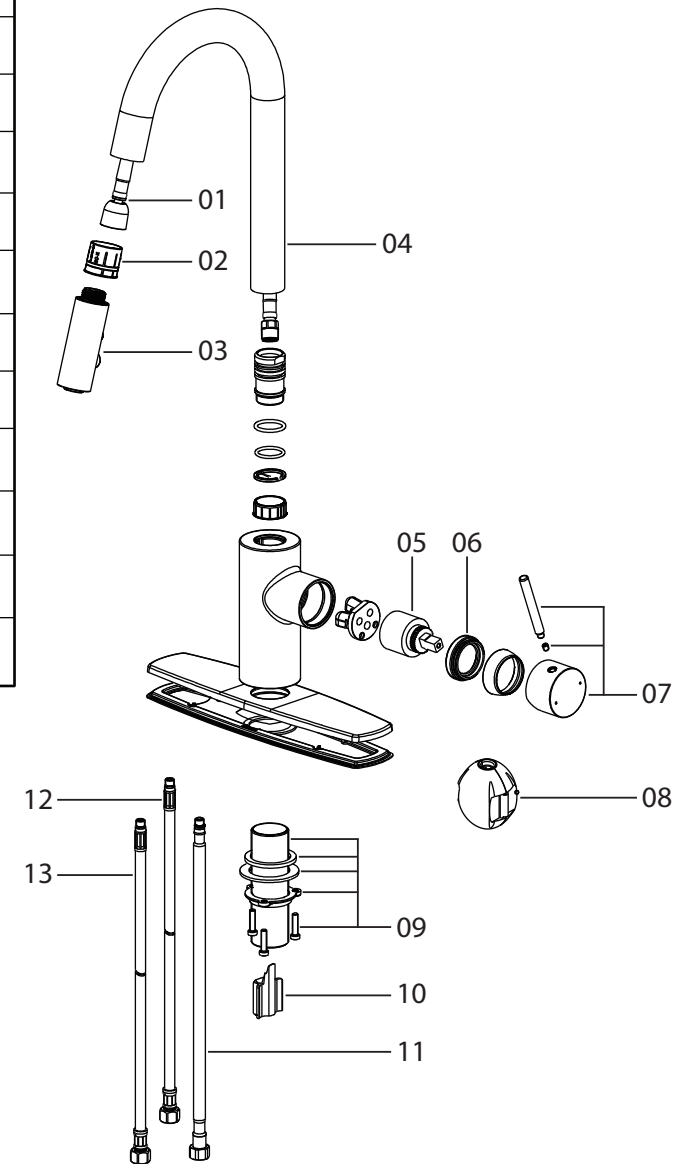


5
Turn on the handle and press the spray head button into the position shown by the arrow to check the operation. This position is for stream function.



6
Press the spray head button into the other position as shown by the arrow to check for the operation. This position is for the spray function.

NO.	Description	Part No.
1	Hose	5G0009000CP0
2	Bush	5L0024100PL0
3	Hand Shower	5F0007700CP/AP/HA/ HBW/RBG0
4	Bend Pipe	5B0010800CP/AP/HA/ HBW/RBG0
5	Cartridge	5D0005300PL0
6	Nut	5T1A0003AL
7	Handle ASSY.	5Y0190600CP/AP/HA/ HBW/RBG0
8	Hose Weight	5X0241300PL0
9	Fastener Seat	5Y0191100NT0
10	Protection Cover	5L0071700PL0
11	Water Inlet Hose	5G0M006601CC7
12	Braided Hose(Hot)	5G0004000CC7
13	Braided Hose(Cold)	5G0004100CC7



Limited Lifetime Warranty

Ultra Faucets warrants to the original purchaser that its products will be free from defects in workmanship and materials. All Ultra Faucets are provided with a life time limited warranty. This warranty does not cover any other labor or service charges associated with the removal, repair, or reinstallation of Ultra Faucets products. This express warranty does not apply to products that have been damaged as a result of misuse, abuse, negligence, accident, faulty installation or maintenance practices and/or used in any manner contrary to those recommended by the manufacturer.

Need help? Please call our toll-free customer service line at 1-888-658-5872 for additional assistance or service.
Besoin d'aide? Veuillez communiquer avec notre service à la clientèle au numéro gratuit 1-888-658-5872 pour tous renseignements ou services complémentaires.
¿Requiere asistencia? Llame a nuestro Servicio al Cliente, sin costo, al 1-888-658-5872 para asistencia adicional o servicio.