

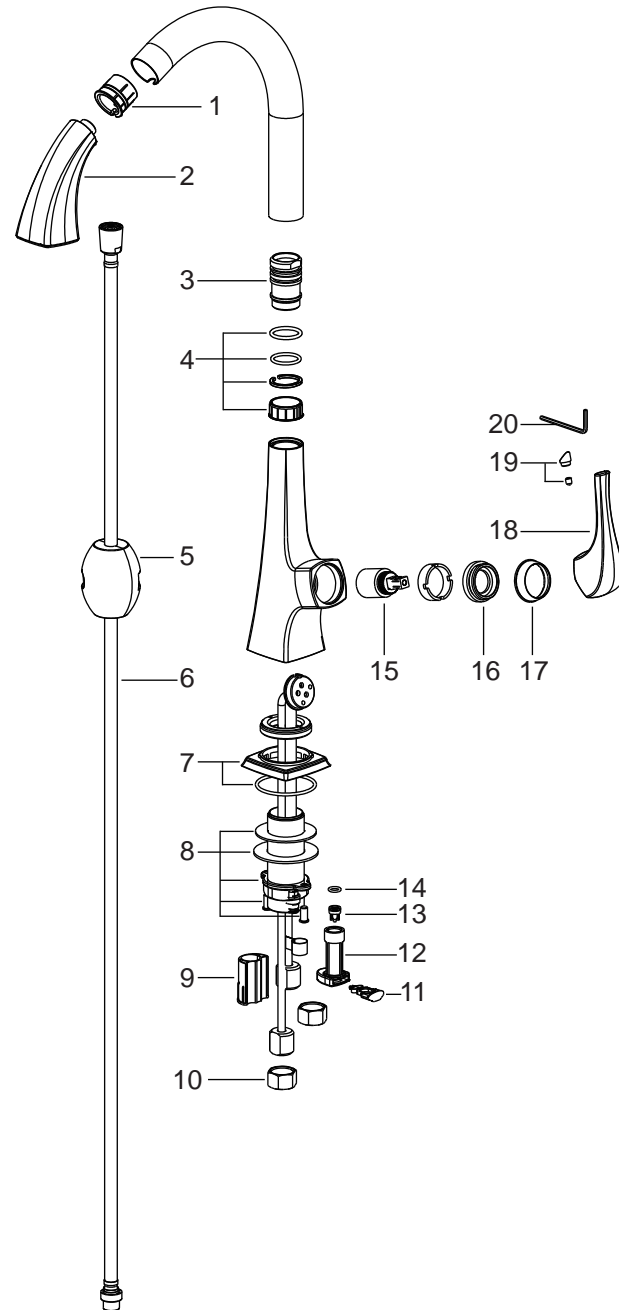
UF14000
UF14003
UF14005
UF14007

QUEST

Pull-down Kitchen Faucet



| No. | Description | Part No. |
|-----|----------------------------|--------------------|
| 1 | Hose Guide | 5L0082000PL0 |
| 2 | Sprayer | 5F0006701CP/AP/HA0 |
| 3 | Connector Assembly | 5J0023000NT0 |
| 4 | O-Ring Set | 5Y0110500PL0 |
| 5 | Weight | 5X0M0063PL |
| 6 | Spray Hose | 5G0M0142CP/AP/HA7 |
| 7 | Base Assembly | 5Y0110600PL0 |
| 8 | Mounting Hardware Assembly | 9Q0979CP/AP/HA |
| 9 | Hose Guide | 53013138PL |
| 10 | Nuts | 6B005801NT |
| 11 | Retainer Clip | 5M0P0132PL |
| 12 | Quick Connector | 5L0P0440PL |
| 13 | Check Valve | 5D0M0003PL |
| 14 | O-Ring | 52006913PL |
| 15 | Ceramic Disc Cartridge | 52007014PL |
| 16 | Retainer Nut | 5N0C0697NT |
| 17 | Trim Cap | 5L0C0283CP/AP/HA |
| 18 | Handle | 5C0073300CP/AP/HA0 |
| 19 | Screw & Button | 5Y0187900PL0 |
| 20 | Allen Key 2.5mm | 51002812NT |



Installation/Installation/Instalación

CUSTOMER SERVICE

TOLL-FREE 1-888-OK-ULTRA(888-658-5872)



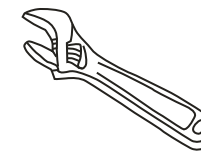
UF14000 - Polished Chrome

UF14003 - PVD Brushed Nickel

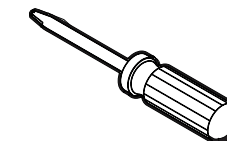
UF14005 - Oil Rubbed Bronze

UF14007 - Matte Black

Tools You Will Need / Outils dont vous aurez besoin / Herramientas necesarias



Adjustable Wrench
Clé à molette
Llave ajustable



Phillips Screwdriver
Tournevis Phillips
Destornillador cruciforme



Pipe Tape
Ruban pour tuyau
Cinta selladora para tubería

SAFETY TIPS

- If you use soldering for the installation of the faucet, the seats, cartridges and washers will have to be removed before using flame. Otherwise, warranty will be void on those parts.
- Cover your drain to avoid losing parts.
- 0°C ~55°C.

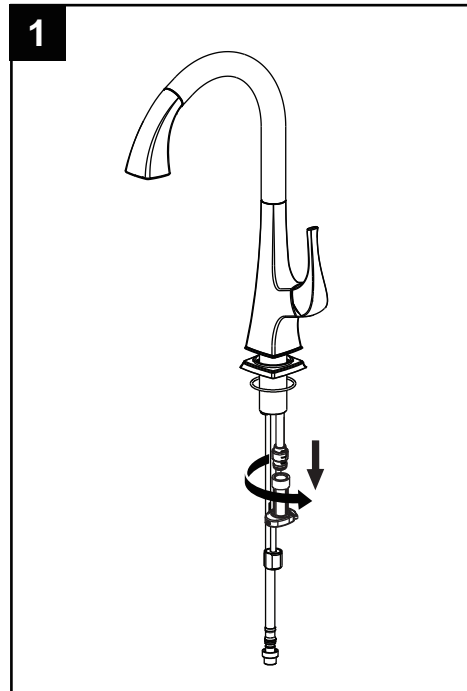
CONSIGNES DE SÉCURITÉ

- Si vous posez le robinet par brasage, il est essentiel de retirer les sièges, les cartouches et les rondelles avant d'appliquer la flamme, faute de quoi la garantie sur ces pièces sera annulée.
- Couvrez le drain pour ne pas perdre des pièces.
- 0°C ~55°C.

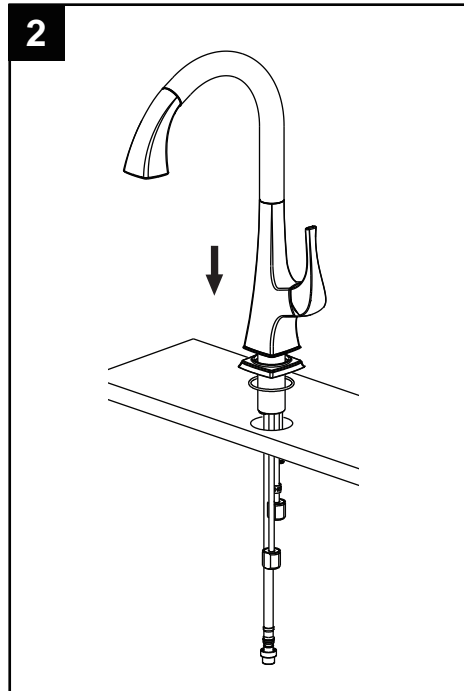
CONSEJOS DE SEGURIDAD

- En el caso de utilizar soldadura para instalar el grifo, remueva los asientos, cartuchos y arandelas antes de usar la llama. De lo contrario, se anulará la garantía para esos componentes.
- Tape la boca del desagüe para prevenir la pérdida de piezas pequeñas.
- 0°C ~55°C.

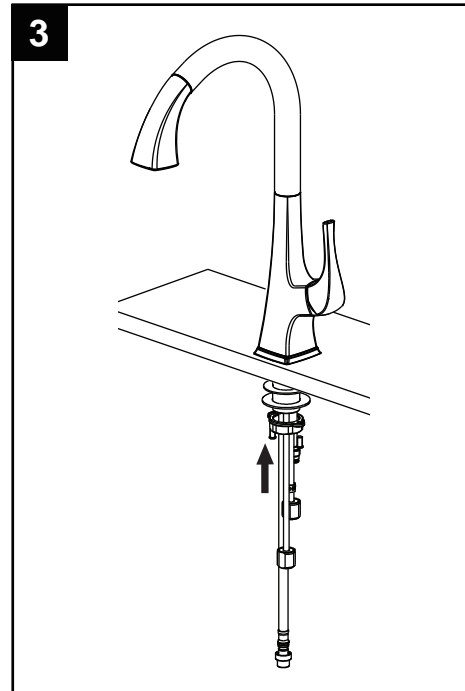
UF14000
UF14003
UF14005
UF14007



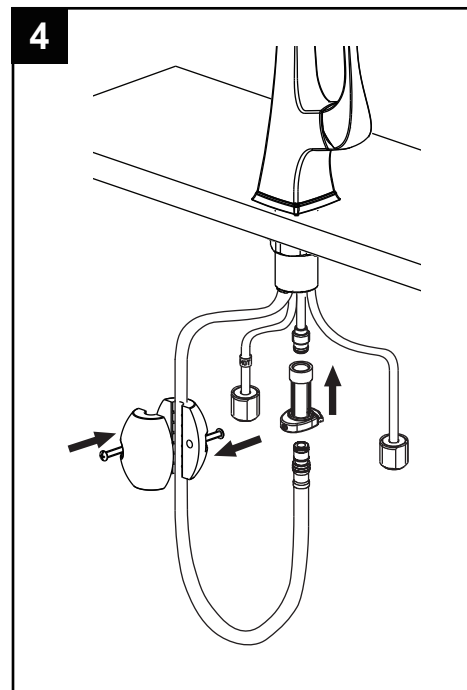
Remove the quick connector.



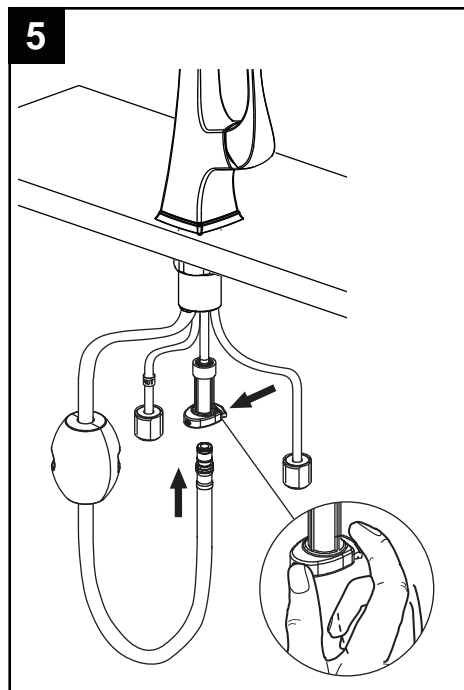
Install the faucet through the mounting hole.



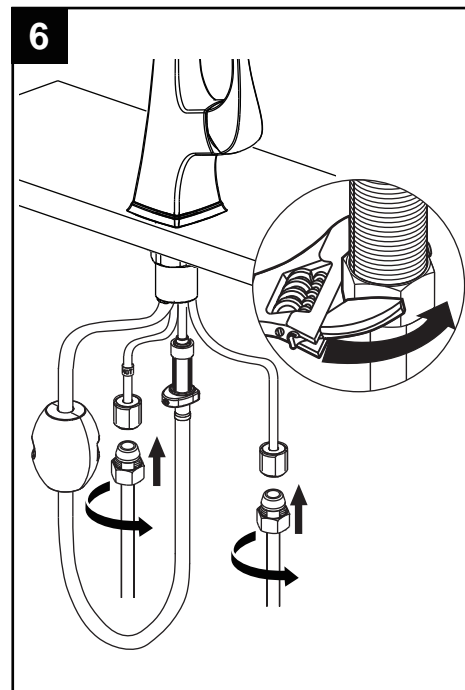
Install washer, gasket and mounting nuts onto the shank to cover the mounting hole.
Tighten the mounting nut.



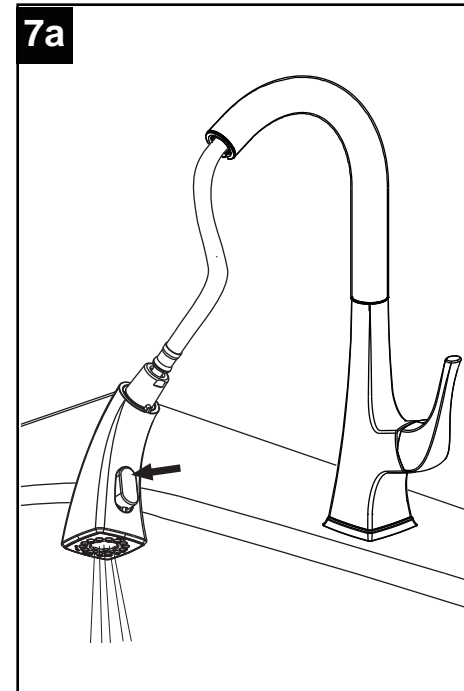
Fasten the weight to the stretching hose with screws, and then install the quick connector on the outlet pipe.



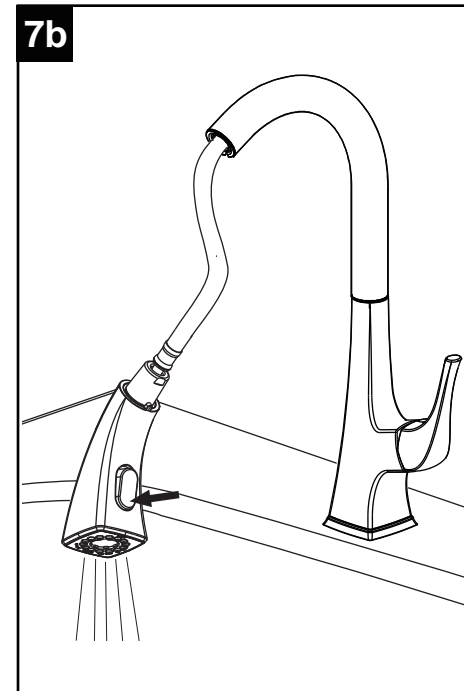
Press the button of the quick connector and connect it with the hose.



Use supply hoses (not included) to connect the cold and hot copper inlets to angle valves. Use wrench to tighten the coupling nuts.
Turn on water supplies and check all connections for leaks.



Turn on the handle and press the spray head button at the position as the arrow shown, check for the spray function.
This position is for bubble water.



Press the spray head button at the position as the arrow shown, check for the spray function.
This position is for spray water.