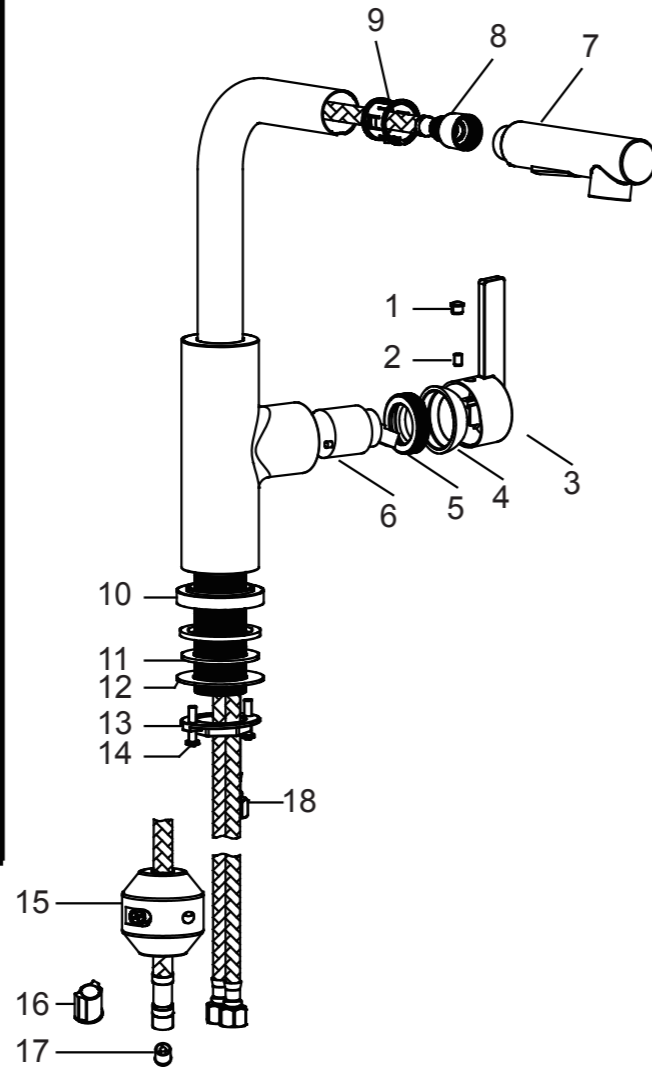


Replacement Parts / Pièces de rechange / Repuestos

NO.	Description	Part No.
1	Button	50803
2	Screw	50802
3	Handle	03303CP/BN/NB/MT
4	Cap	33113CP/BN/NB/MT
5	Bonnet	50714
6	Cartridge	50819
7	Spray head	82507CP/BN/NB/MT
8	Spray hose	04823+85555
9	Bushing block	83117
10	Flange	03304CP/BN/NB/MT
11	Rubber wahser	06305
12	Metal washer	08326
13	Mounting nut	85587
14	Screws	08327
15	Weight	83175
16	Plastic guard	82906
17	Check valve	08316
18	Outlet hose	83130



UF13700
UF13703
UF13705
UF13707

HENA Series

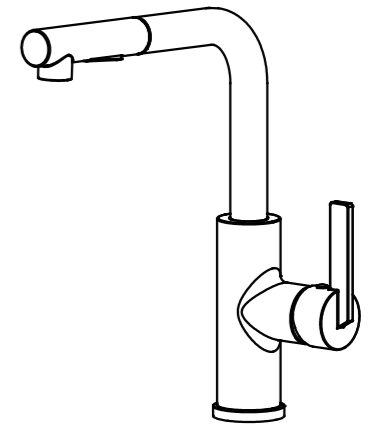
Single Handle Pull Down Kitchen Faucet



Installation/Installation/Instalación

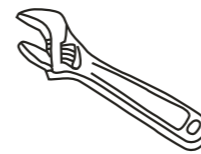
CUSTOMER SERVICE

TOLL-FREE 1-888-OK-ULTRA (658-5872)

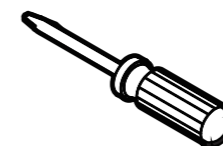


UF13700 - Chrome
UF13703 - Brushed Nickel
UF13705 - Oil Rubbed Bronze
UF13707 - Matte Black

Tools You Will Need / Outils dont vous aurez besoin / Herramientas necesarias



Adjustable Wrench
Clé à molette
Llave ajustable



Phillips Screwdriver
Tournevis Phillips
Destornillador cruciforme



Pipe Tape
Ruban pour tuyau
Cinta selladora para rosca



Groove join pliers
Pince multiprise
Pinzas ajustables

Limited Lifetime Warranty

Ultra Faucets warrants to the original purchaser that its products will be free from defects in workmanship and materials. All Ultra Faucets are provided with a life time limited warranty. This warranty does not cover any other labor or service charges associated with the removal, repair, or reinstallation of Ultra Faucets products. This express warranty does not apply to products that have been damaged as a result of misuse, abuse, negligence, accident, faulty installation or maintenance practices and/or used in any manner contrary to those recommended by the manufacturer.

Need help? Please call our toll-free customer service line at 1-888-658-5872 for additional assistance or service.

Besoin d'aide? Veuillez communiquer avec notre service à la clientèle au numéro gratuit 1-888-658-5872 pour tous renseignements ou services complémentaires.

¿Requiere asistencia? Llame a nuestro Servicio al Cliente, sin costo, al 1-888-658-5872 para asistencia adicional o servicio.

SAFETY TIPS

- If you use soldering for the installation of the faucet, the seats, cartridges and washers will have to be removed before using flame. Otherwise, warranty will be void on those parts.
- Cover your drain to avoid losing parts.
- 0°C~55°C.

CONSIGNES DE SÉCURITÉ

- Si vous posez le robinet par brasage, il est essentiel de retirer les sièges, les cartouches et les rondelles avant d'appliquer la flamme, faute de quoi la garantie sur ces pièces sera annulée.
- Couvrez le drain pour ne pas perdre des pièces.
- 0°C~55°C.

CONSEJOS DE SEGURIDAD

- En el caso de utilizar soldadura para instalar el grifo, remueva los asientos, cartuchos y arandelas antes de usar la llama. De lo contrario, se anulará la garantía para esos componentes.
- Tape la boca del desagüe para prevenir la pérdida de piezas pequeñas.
- 0°C~55°C.

Installation/Installation/Instalación

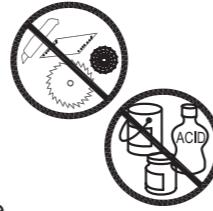
UF13700
UF13703
UF13705
UF13707



Care & Maintenance:

* To keep the product clean & shining, follow the steps below:

- 1. Rinse with clean water & dry with a soft cloth.
- 2. Do not clean with soaps, acid, polish, abrasives, or harsh cleaners.
- 3. Do not use cloth with a coarse surface.
- 4. Unscrew the aerator and clean when necessary.



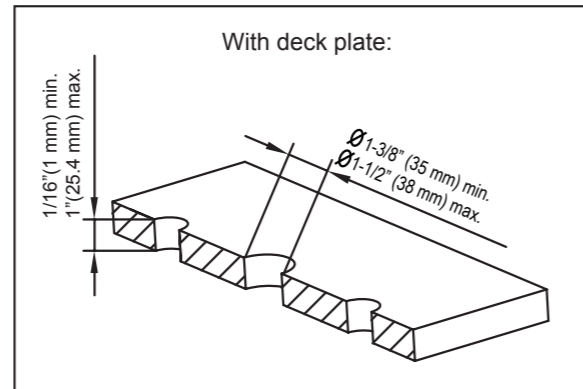
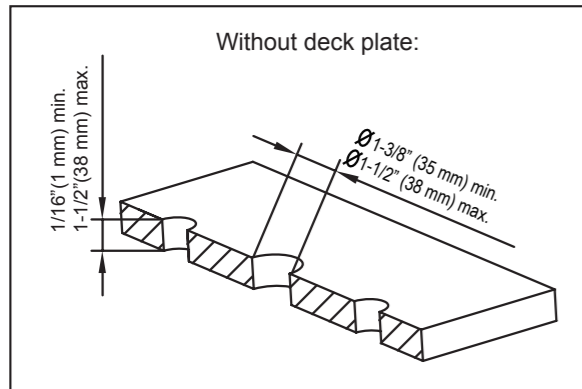
This installation manual is subject to change without further notice.

Please read your care and maintenance documentation to determine the limits of proper use.

This product has been manufactured and tested to the highest quality standards. We offer our customers thoughtfully crafted fixtures & accessories, engineered for enduring performance over years of use.

Prior to Installation:

- Turn off the hot and cold water supply at the angle stops and turn on the old faucet to release any built up pressure. Remove existing faucet. Clean sink or countertop to remove any debris, plumber's putty, or silicone.
- Place bucket under angle stops. Turn on to flush any debris prior to installing new plumbing. Shut off angle stops.
- Pre-drilled hole size requirement: 1-3/8" (min) – 1-1/2" (max)
- Max countertop thickness without deck plate: 1-1/2"
- Max countertop thickness with deck plate: 1"



1

Place the new faucet through flange(10) on the mounting surface.

2

Assemble rubber washer(11), metal washer(12) and thread mounting nut(13) onto shank from underside of sink. Hand tighten, secure locking screws(14) on mounting nut(13) and tighten locking screw(14) using screw driver.

3

Thread hot & cold waterlines onto angle stops. Tighten with adjustable wrench until snug. Turn on the angle stops and check for leaks .
(DO NOT TURN FAUCET ON)

4

Install spray hose assembly(8). Connect hose to outlet hose (18) and tighten. Do not overtighten.
WARNING: Be sure to install the Check valve(17).

5

Attach weight (15) on the designated mark on the spray hose.

6

Important: After installation is completed. Remove spray head (7). Hold tip of spray hose. Turn faucet on for 1 minute to flush any debris. Reconnect spray head (7). While water is running, check for leaks. Re-tighten if necessary, but do not over-tighten.

Trouble-Shooting:

If you have followed the instructions carefully and your faucet still does not work properly, take the following corrective steps:

Leakage under handle	Locking nut has come loose or cartridge needs to be resealed	Loosen the set screw located at the base of the handle with a hex wrench. Remove the handle and unscrew cartridge holder by hand. Tighten locking nut with an adjustable wrench.
Water will not shut off completely	Cartridge may need to be adjusted or replaced	Loosen the set screw located at the base of the handle with a hex wrench. Remove the handle and unscrew cartridge cover by hand. Unscrew the locking nut with an adjustable wrench. Remove ceramic disc cartridge. Check for cracks, and if O-ring is seated correctly, Reseat cartridge.
Leaking between spray head and hose	Spray head may be loose, or washer may not be seated correctly in the hose connection	Tighten the spray head by hand until snug, Make sure the washer is seated correctly.
Hose does not retract	Weight may not be installed correctly	Readjust the weight on the hose.