

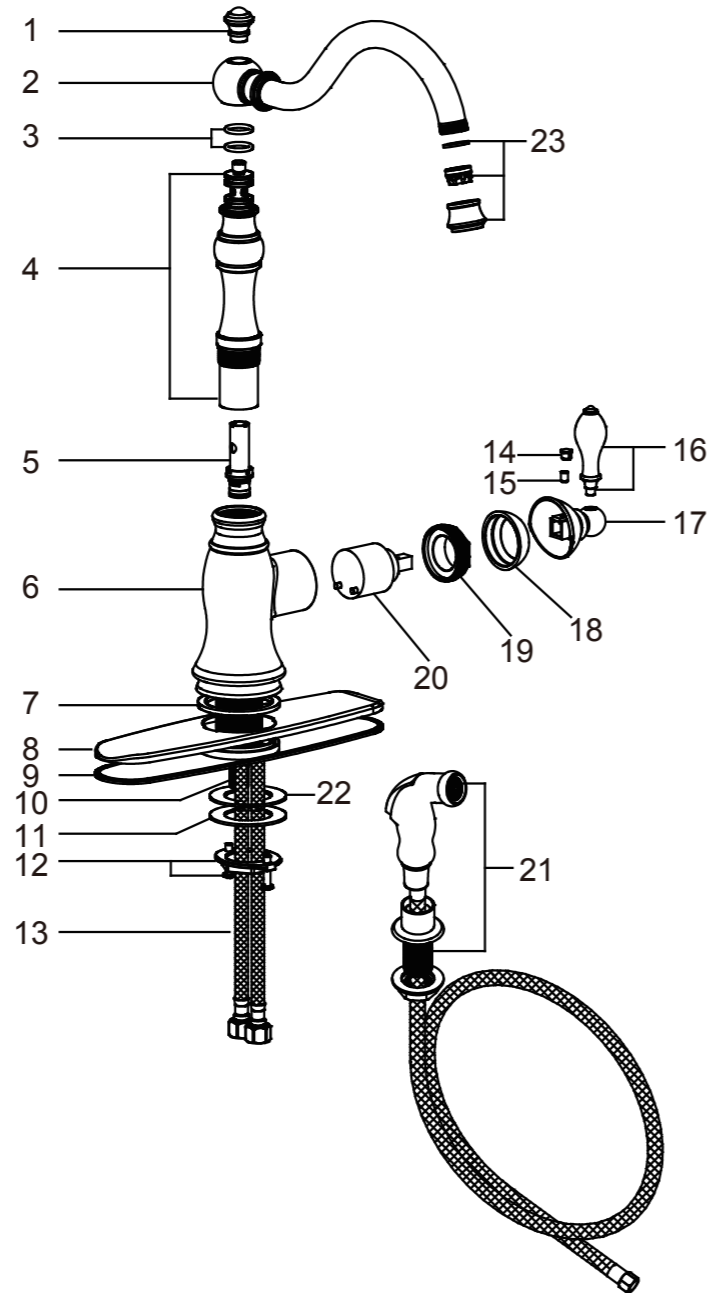
UF11240
UF11243
UF11245

Signature Series

Single Handle Kitchen Faucet
with Side-Spray



NO.	Description	Part No.
1	Cap	04805CP/BN/NB
2	Spout	09115CP/BN/NB
3	O-Ring	04817
4	Spout seat	09152CP/BN/NB
5	Diverter	08621
6	Body assembly	B09160CP/BN/NB
7	Shank	33613
8	Escutcheon	85516CP/BN/NB
9	Base plate	85517
10	Outlet tube	B09157
11	Metal washer	08326
12	Mounting nut assembly	85587 & 08327
13	Hose	S50956H&C
14	Button	50803
15	Screw	50802
16	Handle & Screw	51603CP/BN/NB
17	Handle seat	85231CP/BN/NB
18	Cap	33113CP/BN/NB
19	Bonnet	B50734
20	Cartridge	50819
21	Spray assembly	08633CP/BN/NB
22	Rubber washer	06305
23	Aerator assembly	51615CP/BN/NB



Installation/Installation/Instalación

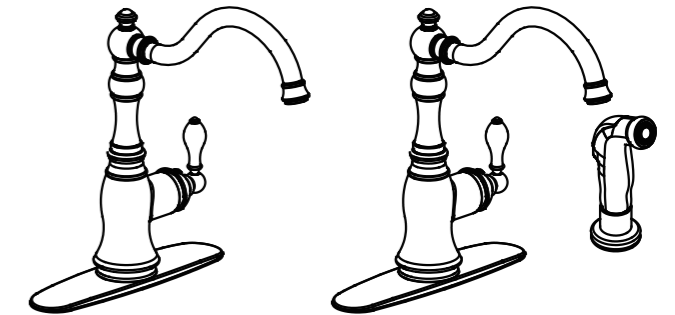
CUSTOMER SERVICE

TOLL-FREE 1-888-OK-ULTRA (658-5872)

UF11240 - Chrome

UF11243 - Brushed Nickel

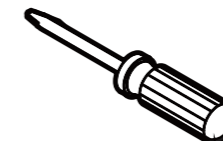
UF11245 - Oil Rubbed Bronze



Tools You Will Need / Outils dont vous aurez besoin / Herramientas necesarias



Adjustable Wrench
Clé à molette
Llave ajustable



Phillips Screwdriver
Tournevis Phillips
Destornillador cruciforme



Pipe Tape
Ruban pour tuyau
Cinta selladora para rosca



Groove joint pliers
Pince multiprise
Pinzas ajustables

Limited Lifetime Warranty

Ultra Faucets warrants to the original purchaser that its products will be free from defects in workmanship and materials. All Ultra Faucets are provided with a life time limited warranty. This warranty does not cover any other labor or service charges associated with the removal, repair, or reinstallation of Ultra Faucets products. This express warranty does not apply to products that have been damaged as a result of misuse, abuse, negligence, accident, faulty installation or maintenance practices and/or used in any manner contrary to those recommended by the manufacturer.

Need help? Please call our toll-free customer service line at 1-888-658-5872 for additional assistance or service.

Besoin d'aide? Veuillez communiquer avec notre service à la clientèle au numéro gratuit 1-888-658-5872 pour tous renseignements ou services complémentaires.

¿Requiere asistencia? Llame a nuestro Servicio al Cliente, sin costo, al 1-888-658-5872 para asistencia adicional o servicio.

SAFETY TIPS

- If you use soldering for the installation of the faucet, the seats, cartridges and washers will have to be removed before using flame. Otherwise, warranty will be void on those parts.
- Cover your drain to avoid losing parts.
- 0°C~55°C.

CONSIGNES DE SÉCURITÉ

- Si vous posez le robinet par brasage, il est essentiel de retirer les sièges, les cartouches et les rondelles avant d'appliquer la flamme, faute de quoi la garantie sur ces pièces sera annulée.
- Couvrez le drain pour ne pas perdre des pièces.
- 0°C~55°C.

CONSEJOS DE SEGURIDAD

- En el caso de utilizar soldadura para instalar el grifo, remueva los asientos, cartuchos y arandelas antes de usar la llama. De lo contrario, se anulará la garantía para esos componentes.
- Tape la boca del desagüe para prevenir la pérdida de piezas pequeñas.
- 0°C~55°C.

Installation/Installation/Instalación

UF11240
UF11243
UF11245



Care & Maintenance:

* To keep the product clean & shining, follow the steps below:

- 1. Rinse with clean water & dry with a soft cloth.
- 2. Do not clean with soaps, acid, polish, abrasives, or harsh cleaners.
- 3. Do not use cloth with a coarse surface.
- 4. Unscrew the aerator and clean when necessary.



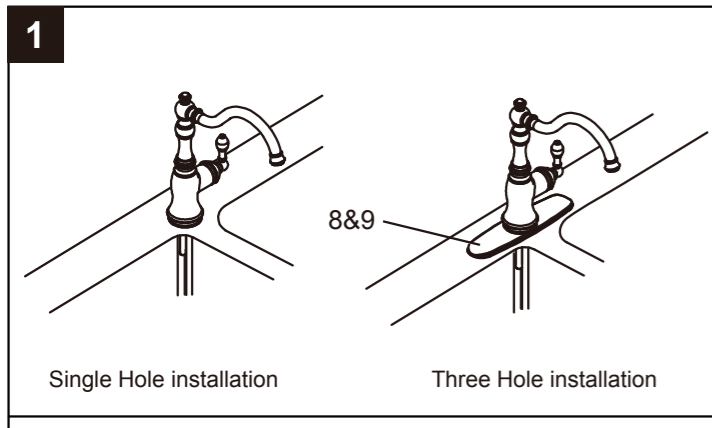
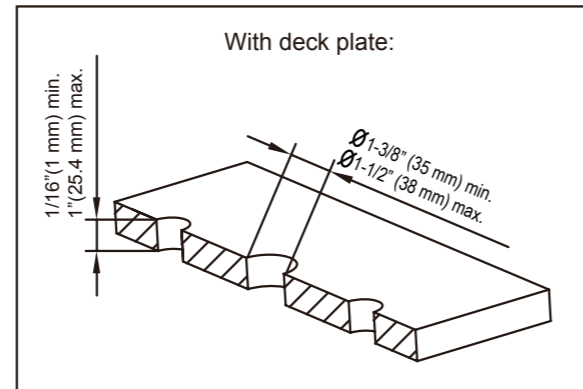
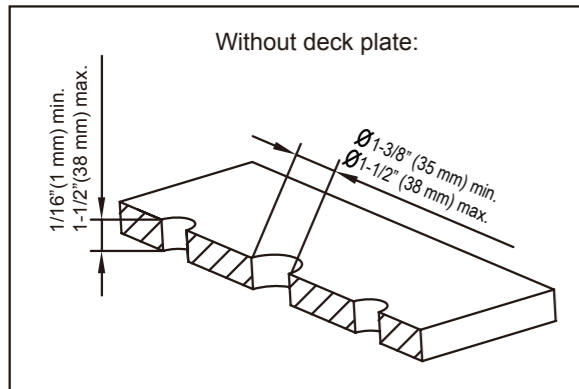
This installation manual is subject to change without further notice.

Please read your care and maintenance documentation to determine the limits of proper use.

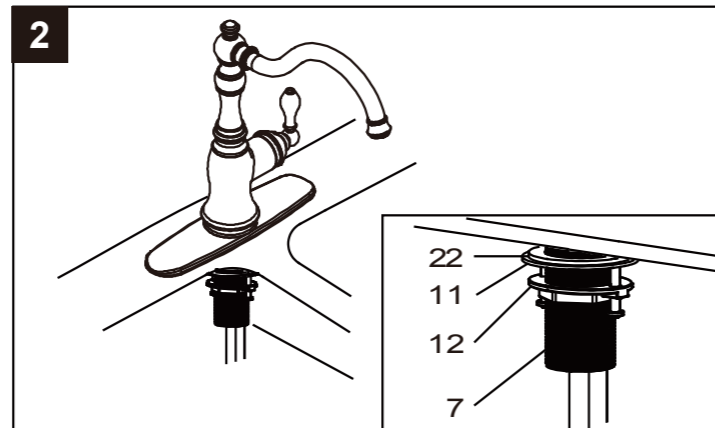
This product has been manufactured and tested to the highest quality standards. We offer our customers thoughtfully crafted fixtures & accessories, engineered for enduring performance over years of use.

Prior to Installation:

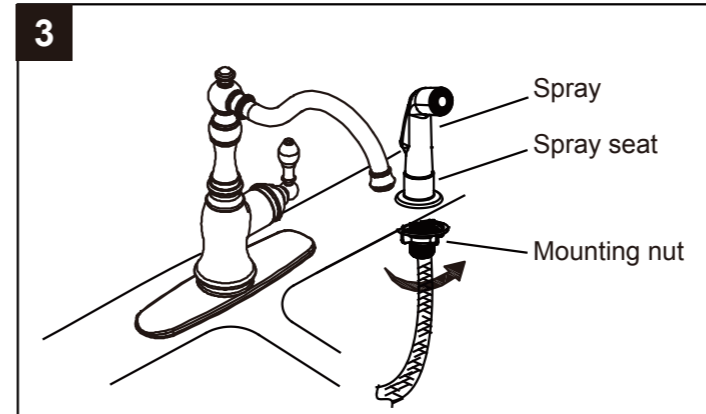
- Turn off the hot and cold water supply at the angle stops and turn on the old faucet to release any built up pressure. Remove existing faucet. Clean sink or countertop to remove any debris, plumber's putty, or silicone.
- Place bucket under angle stops. Turn on to flush any debris prior to installing new plumbing. Shut off angle stops.
- Pre-drilled hole size requirement: 1-3/8" (min) – 1-1/2" (max)
- Max countertop thickness without deck plate: 1-1/2"
- Max countertop thickness with deck plate: 1"



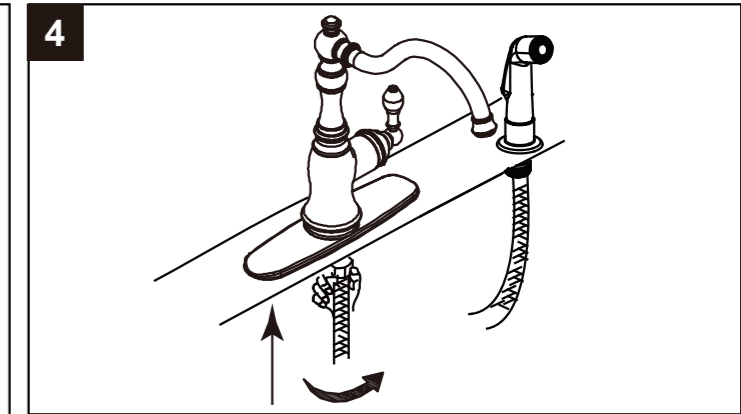
For single hole installation, place faucet in directly. For three hole, place the base plate and escutcheon assembly (8&9) on bottom of faucet before inserting through the mounting hole. Pre-drilled hole size requirements: Faucet: $\varnothing 1-3/8''$ (min) ~ $\varnothing 1-1/2''$ (max)



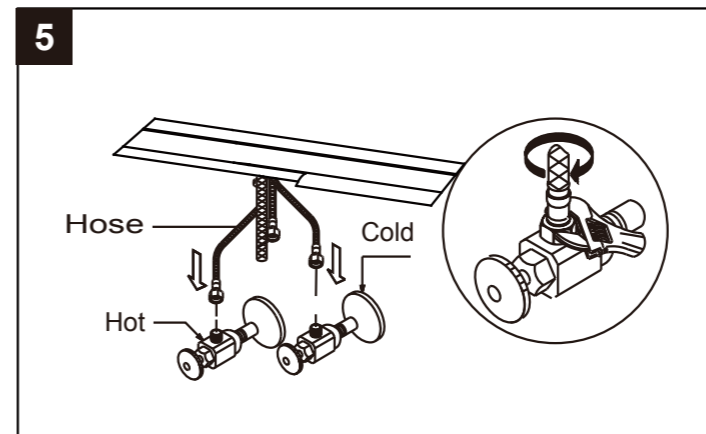
Assemble rubber washer(22), metal washer(11) and thread mounting nut(12) onto shank(7) form underside of sink. Hand tighten, secure locking screws on mounting nut(12) and tighten locking screw using screw driver.



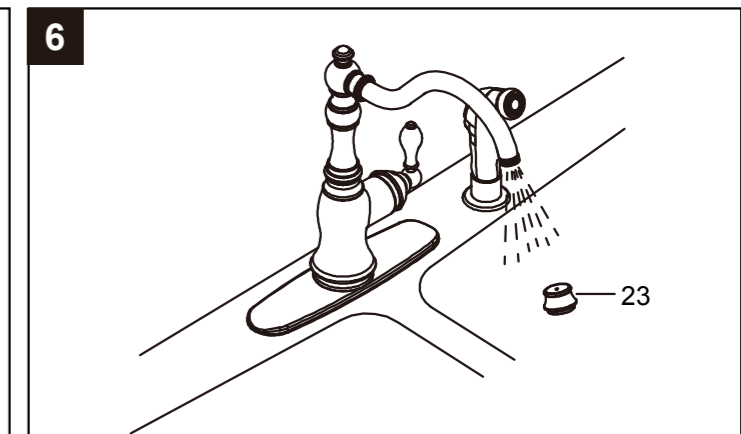
A: Place the new spray seat through on the mounting surface.
 B: Assemble mounting nut onto shank form underside of sink. Hand tighten,



For Models with a Spray Support. Place faucet in position on the sink. Mount spray support in far right hole in sink. Insert spray hose down through the support and up through center hole of sink. Attach spray hose to Outlet tube nipple(10).



Thread hot & cold waterlines onto angle stops. Tighten with adjustable wrench until snug. Turn on the angle stops and check for leaks. (DO NOT TURN FAUCET ON)



Important: After installation is completed, Remove aerator assembly(23). Turn water on for 1 minute to remove any debris. Reassemble aerator assembly(23).

Trouble-Shooting:

If you have followed the instructions carefully and your faucet still does not work properly, take the following corrective steps:

Leakage under handle	Locking nut has come loose or cartridge needs to be resealed	Loosen the set screw located at the base of the handle with a hex wrench. Remove the handle and unscrew cartridge holder by hand. Tighten locking nut with an adjustable wrench.
Water will not shut off completely	Cartridge may need to be adjusted or replaced	Loosen the set screw located at the base of the handle with a hex wrench. Remove the handle and unscrew cartridge cover by hand. Unscrew the locking nut with an adjustable wrench. Remove ceramic disc cartridge. Check for cracks, and if O-ring is seated correctly, Reseat cartridge.
Leaking between spray head and hose	Spray head may be loose, or washer may not be seated correctly in the hose connection	Tighten the spray head by hand until snug, Make sure the washer is seated correctly.
Hose does not retract	Weight may not be installed correctly	Readjust the weight on the hose.