



KITCHEN FAUCET

- **Signature Collection**
- **Single-Handle Deck Mount**
- **2 or 4-Hole Installation**



STANDARD SPECIFICATIONS

- Single-handle kitchen faucet for exposed mounting on two or four-hole sinks
- Ceramic disc cartridge
- Side-spray with matching finish spray head
- Flexible inlet with 3/8" female compression connection
- 1.8gpm max @ 60psi

FINISHES INCLUDE

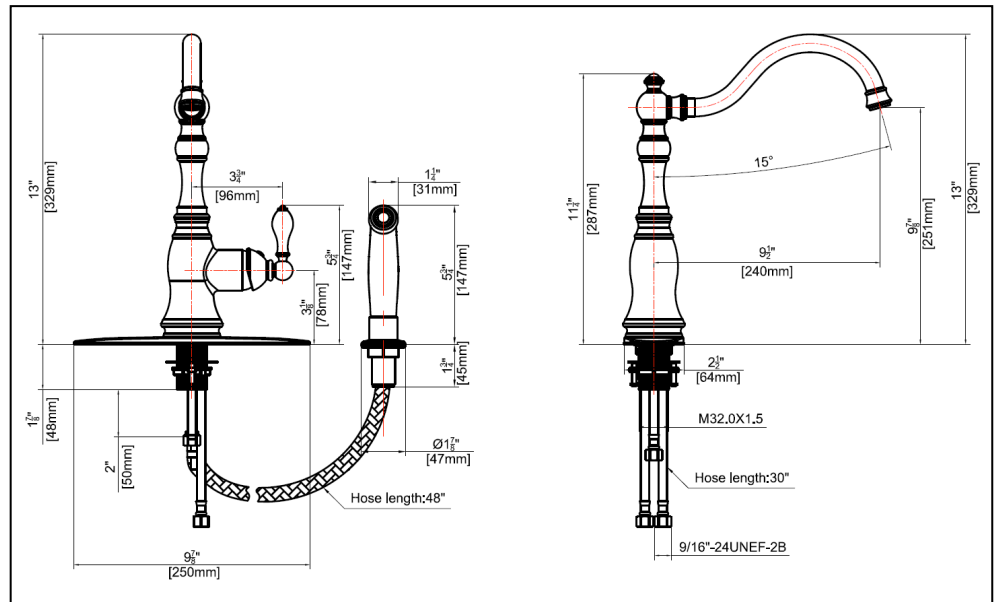
- Chrome (UF11240)
- Stainless steel (UF11243)
- Oil rubbed bronze (UF11245)

WARRANTY

- Limited lifetime warranty on workmanship and materials to the original purchaser

COMPLIES WITH

- NSF 61-9
- ASME A112.18.1
- CSA B125.1
- cUPC
- AB1953



tel. 888-OK-ULTRA (658-5872) • fax. 949-252-9989 • <http://www.ultrafaucets.com>

This specification is provided for reference only. Ultra Faucets reserves the right to modify specifications and materials without notice or obligation.