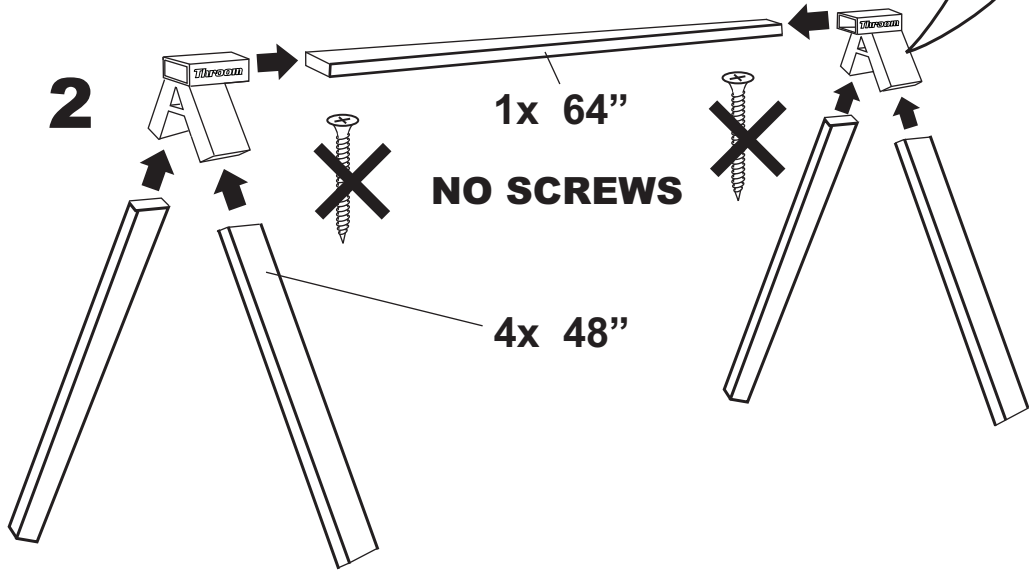
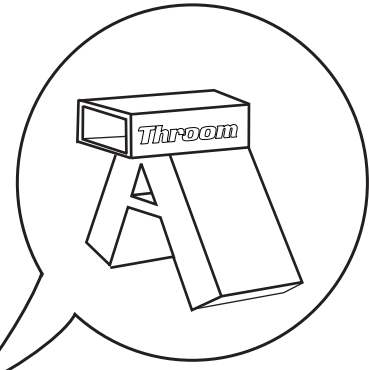
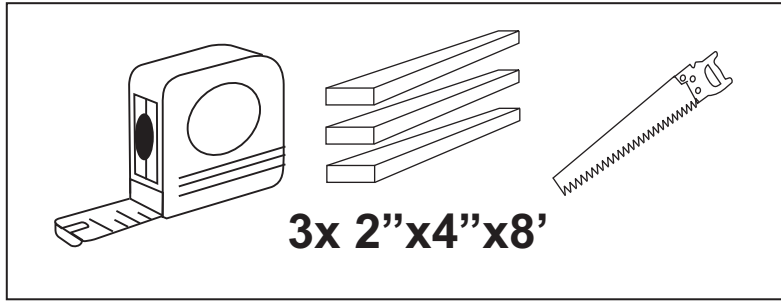
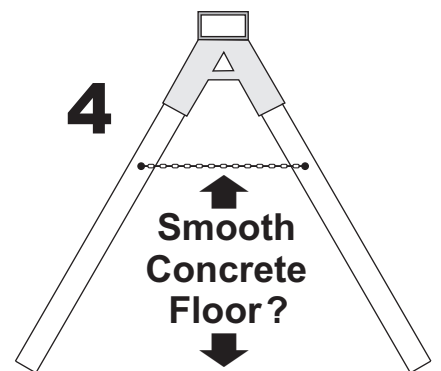
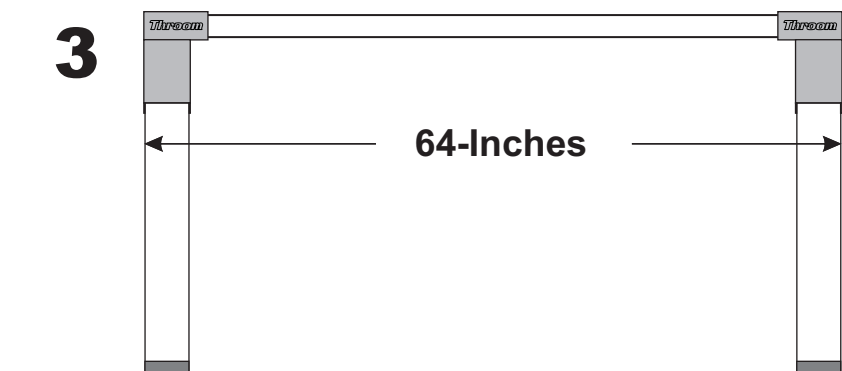


# ALPHA TARGET STAND



Target Stand width can be shorter or up to 8-feet long.



Add chains or rope to keep legs from sliding out.  
(Chains/Rope - Not Included with Alpha Brackets.)

# **Throom™ Targets by Newbold™**

## **Shooter/User Instructions**

Shooting Throom™ Targets is fun, challenging and can be dangerous. It needs to be done properly and safely at all times.

**Read all instructions to avoid injury.**

Reactive Throom™ Targets are designed to allow handgun, pistol and rifle bullets to pass completely through the target intact, without ricochet or splatter. Your bullets will pass through Throom™ Targets with very little loss of velocity, so be sure that your target range has an adequate and properly designed backstop or earthen berm beyond your Throom™ Target stand.

Throom™ Targets can be shot at temperatures ranging from -40°F to +120°F.

We recommend that you shoot full-metal jacket roundnose or semi-wadcutter pistol bullets to extend target life. Hollow-point and flatnose bullets will cookie-cut the target and reduce target life.

**Always observe your target range safety rules.**

Call us at 1-800-992-3301 for further product and safety information. We cannot control the use of Throom™ Targets. We do not imply or accept any liability resulting from the buyer or shooter's use, misuse or modification of Throom™ Targets and Throom™ Target accessories. The Buyer and/or Shooter assumes all risk and responsibility for injury to yourself or someone else or damage to any property while using or misusing Throom™ Targets.

### **Shooting at Throom™ Targets May Be Hazardous and Can Cause Injury or Death**

- ⚠ DANGER:** Throom™ Targets are not designed to stop bullets. Your bullets will penetrate, pass completely through Throom™ Targets and keep going into your target range's backstop.
- ⚠ DANGER:** When shooting Throom™ Targets, your bullets must pass completely through the target. Your bullets need sufficient velocity (750 feet per second or more) to pass completely through the target without ricochet or bounce-back to the shooter or bystanders.
- ⚠ DANGER:** Never shoot Throom™ Targets with .22-shorts, B-B's, air gun pellets, sling shot ammunition and/or projectiles of any type with a sling shot or similar device. Due to insufficient velocity, they will ricochet and bounce-back to the shooter and bystanders.
- ⚠ DANGER:** Do not mount Throom™ Targets within 25-yards of hard objects like rocks, steel or other hard items that can cause ricochets. Mount Throom™ Targets on soft wood target stands to eliminate ricochet and bounce-back to the shooter and bystanders. Wear shatter-resistant eye protection and long-sleeved shirts and long pants.

We ask that you use Throom™ Targets in the manner in which they are intended, without alteration or modification and in accordance with the instructions listed above in order to maximize your safety and enjoyment.

**Please shoot safe.**

**Questions? Phone: 1-800-992-3301**  
**Outside U.S.: 1-732-469-5654**

© Newbold™, Inc. 2021. All Rights Reserved  
Throom™ is a Trademark of Newbold, Inc.