

# LANBO

Enjoy life

## **PRODUCTS INSTALLATION INSTRUCTIONS**

### HELPFUL TOOLS

---

Pencil



Impact Drill



Tape Measure



Spanner



Screwdriver



Flashlight



Teflon Tape



Level

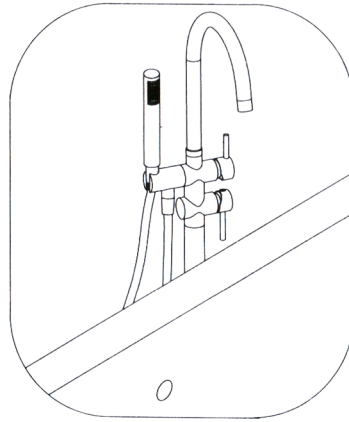


#### Points for attention before installation

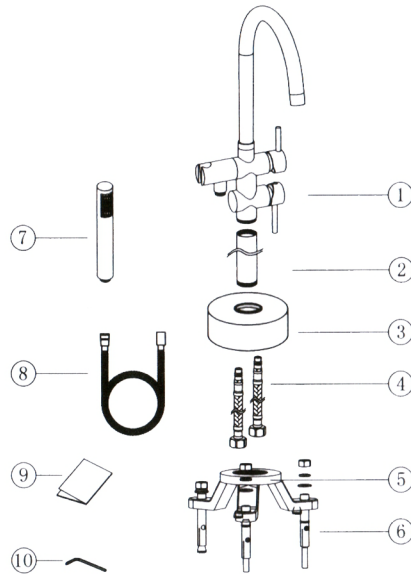
- Before installing the new mixer, it is essential that you thoroughly flush through the supply pipes in order to remove any remaining swarf, solder or other impurities. Failure to carry out this simple procedure could cause problems or damage to the workings of the mixer.
- Work water pressure:10-100 psi(Including cold and hot).
- If the pictures and statements in the 'Installation Specifications' is unconfirmed with practicality, please take practicality as standard.

# Floor Bathtub Faucet

1. After opening the product, please check the accessories listed in the "standard parts list". Check whether the spare parts are complete, if there is any defect, please contact your local distributor immediately. As shown below.

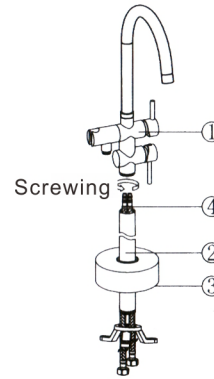


Number	Name	Quantity
1	Main component	1
2	Straight pipe	1
3	Decorative cup	1
4	Water inlet pipe	2
5	Long three claws	1
6	Expansion screw	3
7	Hand shower	1
8	Shower hose	1
9	Instructions	1
10	Allen key	1

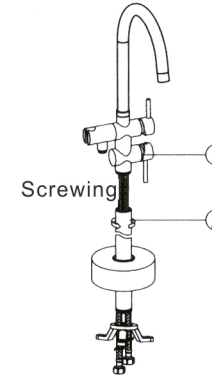


2. The height of the purchased bathtub should match the installation size of this product.

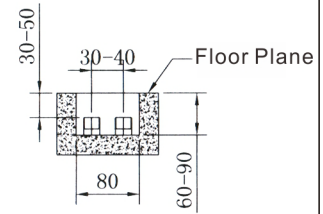
1. First put the Straight pipe, Decorative cup and Long three claws on the hose as shown



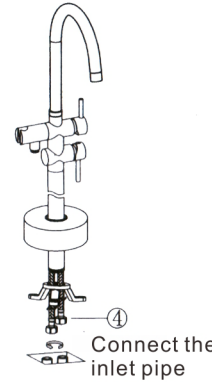
2. Connect the Straight pipe to the Main component



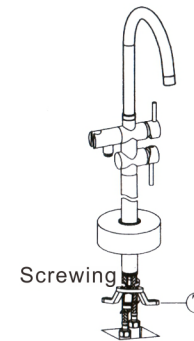
3. Perform the construction of the Water inlet pipe according to the following diagram



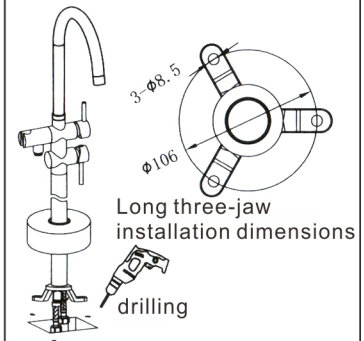
4. Connect the inlet pipe to the inlet hose



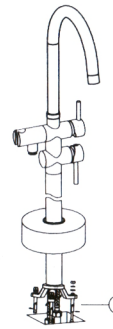
5. Attach the Long three claws to the Main component



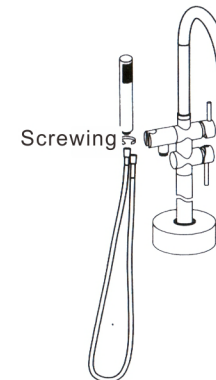
6. Drill holes as shown in the picture



7. Install expansion screw to fix Main component



8. Connect the shower hose to the Main body and the Hand shower



9. Complete product drawing

