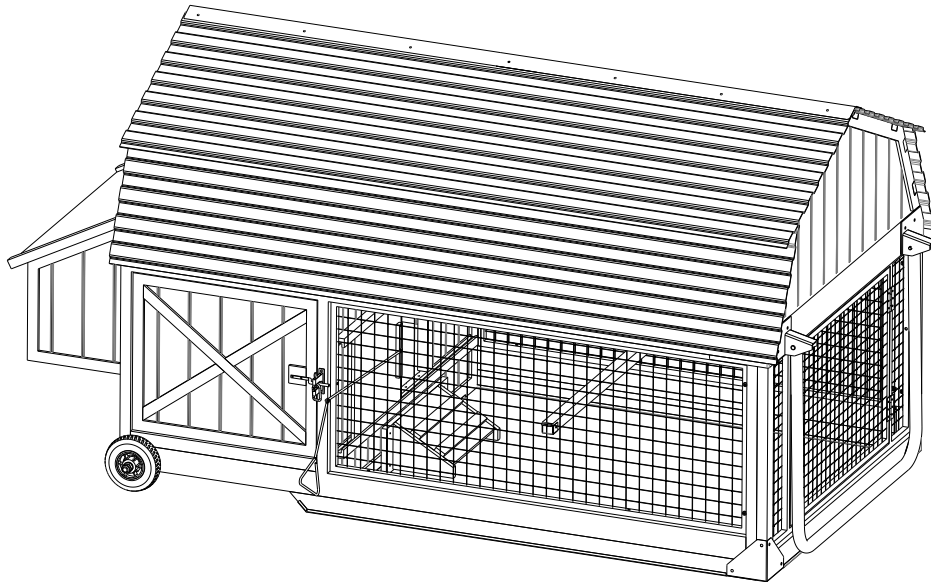


PP FARMHOUSE COOP TRACTOR

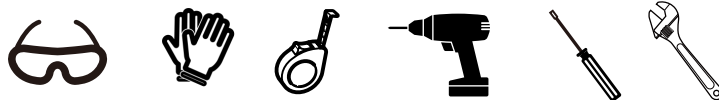


SKU# 2324992

ASSEMBLY MANUAL



Tools required for assembly (not included)



Distributed by: TRACTOR SUPPLY COMPANY
5401 VIRGINIA WAY, BRENTWOOD, TN 37027

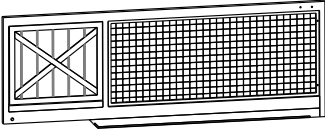
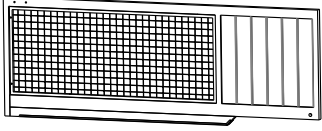
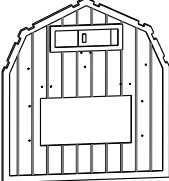
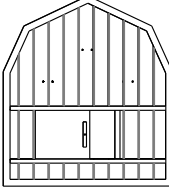
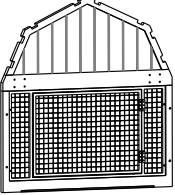
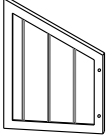
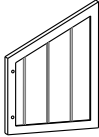
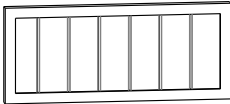
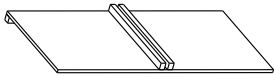
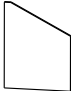


For customer support, call: 1-888-376-9601

www.TractorSupply.com

MADE IN CHINA

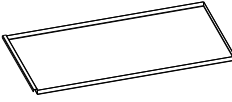


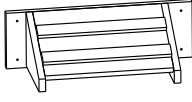

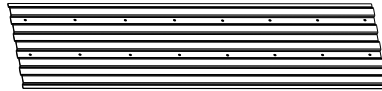
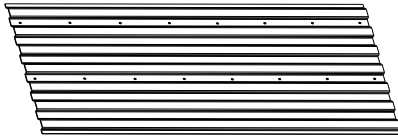
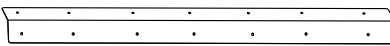
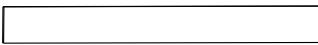


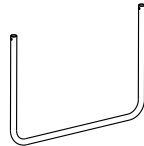
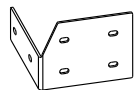
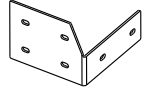
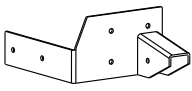
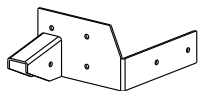
PARTS LIST

Please check the parts and quantities before assembly

Part#	Description	Drawing	Qty.
1	Left Side Panel		1
2	Right Side Panel		1
3	Back Panel		1
4	Centre Panel		1
5	Front Panel		1
6	Nesting Box Left Side Panel		1
7	Nesting Box Right Side Panel		1
8	Nesting Box Front Panel		1
9	Nesting Box Floor Panel		1
10	Nesting Box Divider		1
11	Nesting Box Roof Panel		1
12	Coop Floor Panel		1

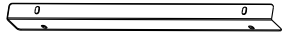
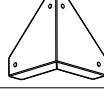
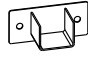

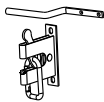




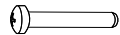
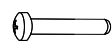
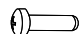
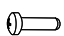
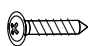

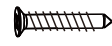



PARTS LIST

Please check the parts and quantities before assembly

Part#	Description	Drawing	Qty.
13	Tray		1
14	Roosting Bar 1		3
15	Roosting Bar 2		1
16	Ramp		1
17	Roof Support Bar		8
18	PVC Roof Panel 1		2
19	PVC Roof Panel 2		2
20	Ridge Cover		1
21	Rain Guard		1
22	Shaft		1
23	T-Handle		1
24	Coop Handle		1
25	Handle Inner Corner (Left)		1
26	Handle Inner Corner (Right)		1
27	Handle Outside Corner (Left)		1
28	Handle Outside Corner (Right)		1

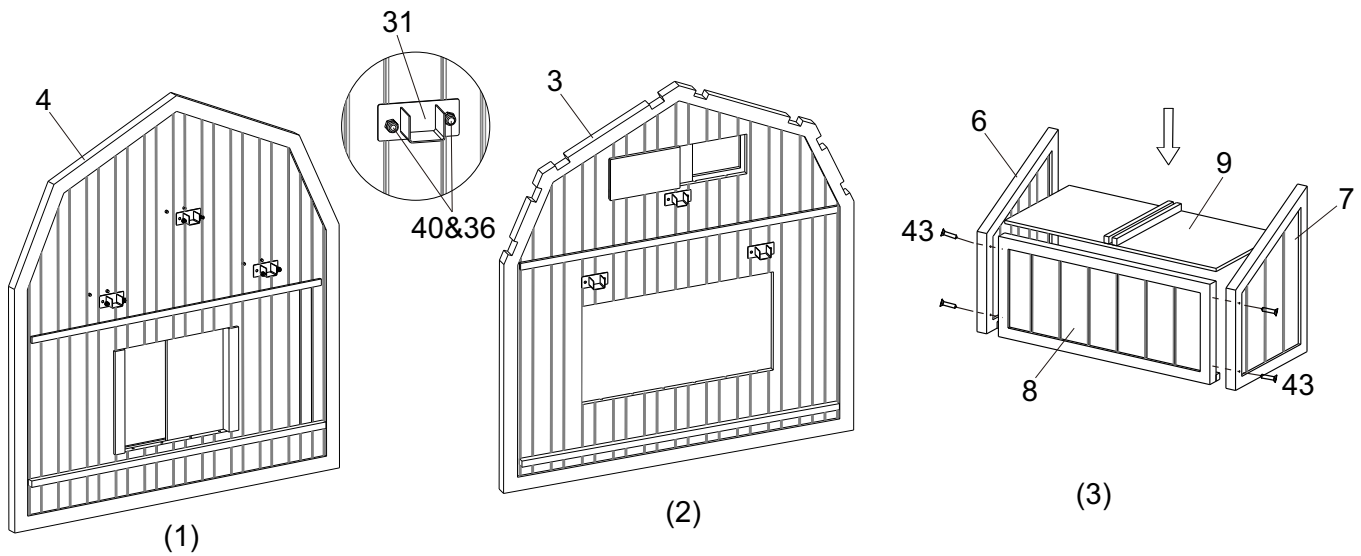
PARTS LIST

Please check the parts and quantities before assembly

Part#	Description	Drawing	Qty.
29	Panel Inner Corner Bracket		2
30	Base Corner Guard		2
31	Roosting Bar Support Bracket		6
32	Wheel		2
33	Door lock with D-shackle		1
34	Nesting Box Latch		1
35	M12 Wheel Nut		2
36	M6 Nut		34+1
37	Wheel Washer		4
38	Bolt M6x50mm		2
39	Bolt M6x45mm		12
40	Bolt M6x25mm		20
41	Bolt M4x20mm		1
42	Self-tapping Screw with Washer 4x19mm		82+8
43	Self-tapping Screw 4x60mm		16
44	Self-tapping Screw 4x40mm		35
45	Self-tapping Screw 4x30mm		8
46	Self-tapping Screw 2.9x13mm		9
47	Edge Guard		8

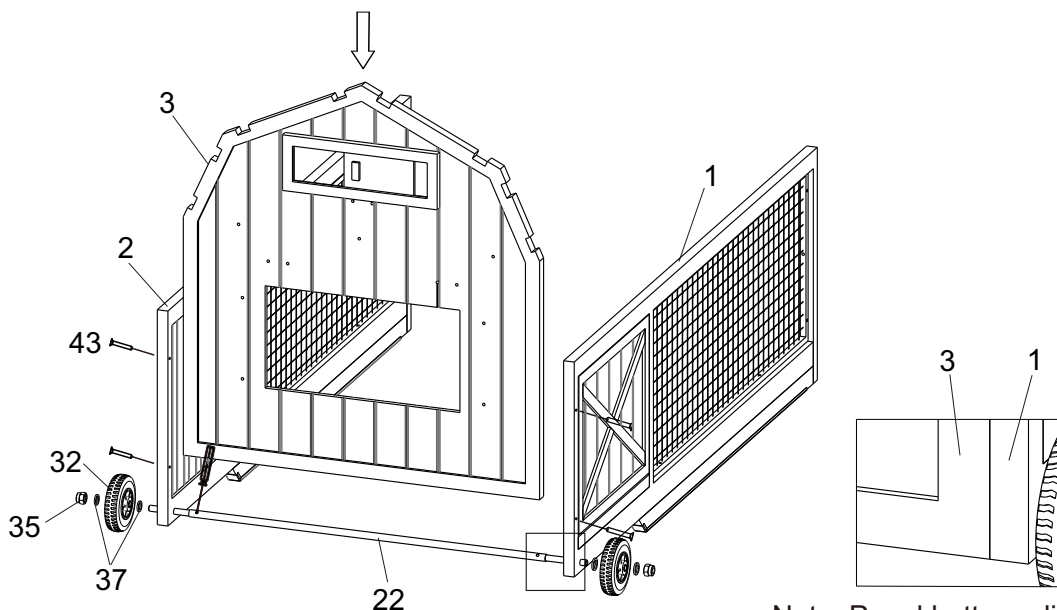
Get Ready:

- Follow Diagram (1), attach 3pcs Roosting Bar Support Bracket (#31) on back of Center Panel (#4) through the pre-drilled holes, using Bolt (#40) and Nuts (#36).
- Repeat this step on the back of Back Panel (#3), refer to Diagram (2).
- Form the Nesting Boxes Diagram (3), connect the Nesting Box Left Panel (#6), Right Panel (#7), and Front Panel (#8) all together using Bolt (#43) and Nut (#36). Place the Nesting Box Floor Panel (#9) at the bottom.



Step 1

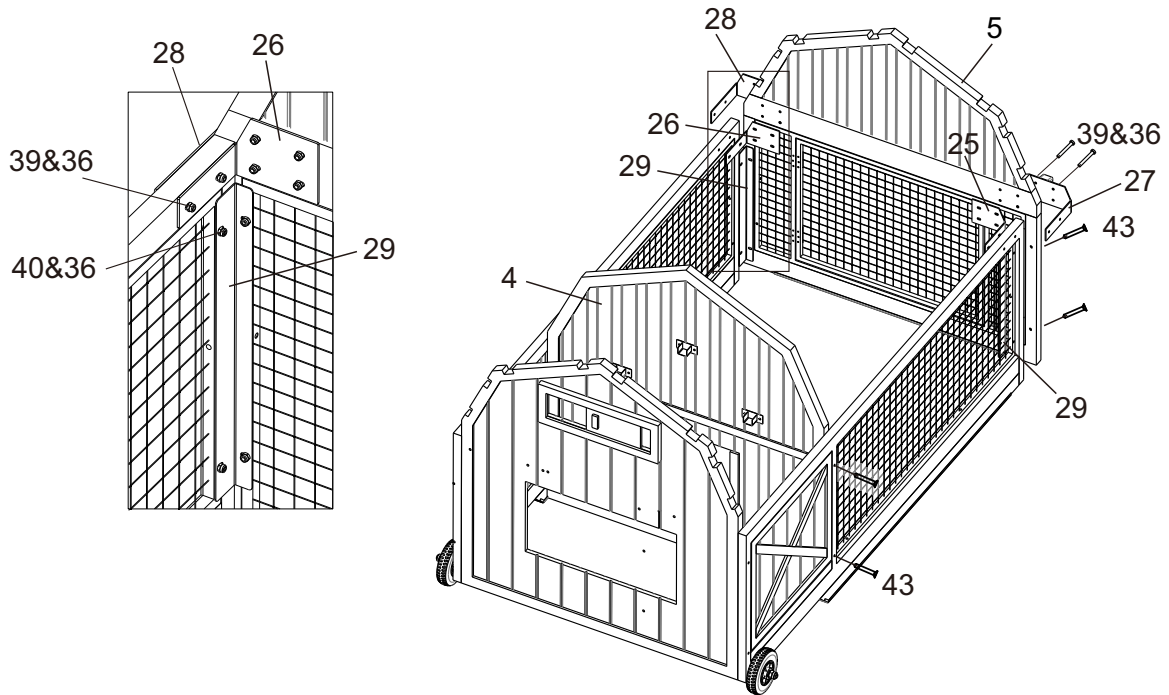
- Insert the two ends of Shaft (#22) into the pre-drilled holes on the Left Side Panel (#1) and Right Side Panel (#2), then secure the three panels (#1, #2, and #3) with Bolt (#43). Make sure that the bottom of #3 is aligned with the bottoms of #1 and #2.
- Install the two Wheels (#32) on both ends of #22 using the Wheel Washer (#37) and Wheel Nut (#35). When repairing #35, place a screwdriver into the hole on #22 to prevent it from rotating.



Note: Panel bottom align to each other.

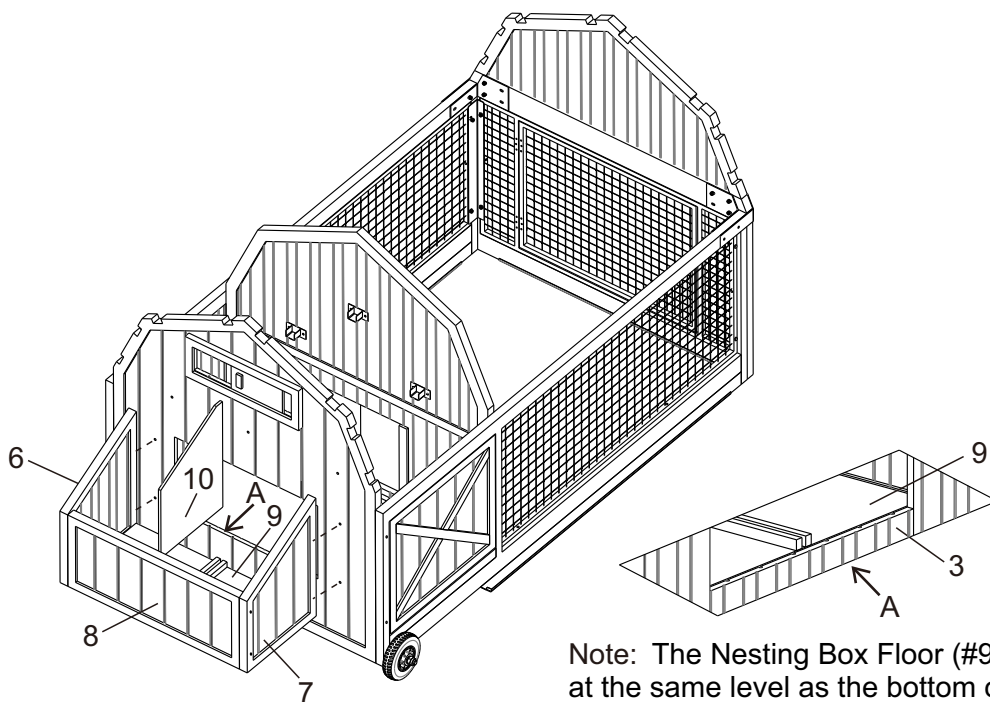
Step 2

- Attach Center Panel (#4) and Front Panel (#5) into the place shown in the Diagram, with Bolt (#43).
- Fix Handle Inner Corner Bracket (#25), and Handle Outside Corner Bracket (#27), using Bolt (#39) and Nut (#36). Repeat this step for #25 & #27 for the other side.
- Secure the inner corner by attaching the Inner Corner Bracket (#29) with the Bolt (#40) and Nut (#36).



Step 3

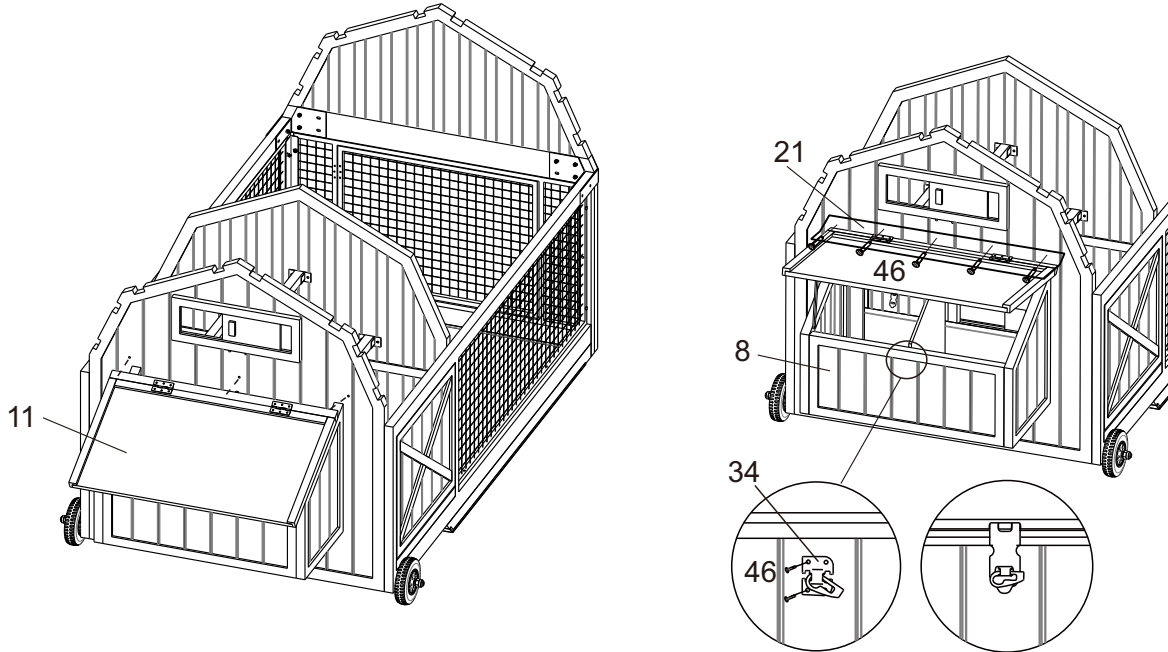
- Screw (#44) the pre-assembled Nesting Box to the Back Panel (#3). Make sure the Nesting Box Floor (#9) is at the same level as the bottom of the Back Panel (#3) opening.
- Place the Nesting Box Divider (#10) on top of the Nesting Box Floor (#9).



Note: The Nesting Box Floor (#9) is at the same level as the bottom of the Back Panel (#3) opening .

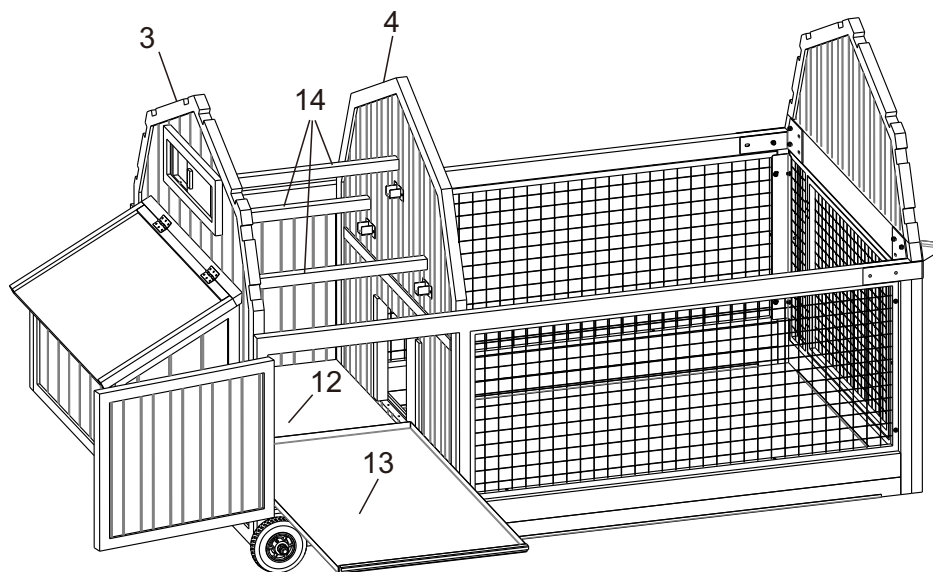
Step 4

- Using Screws (#44), attach the Nesting Box Roof Panel (#11) to the Back Panel (#3) through the pre-drilled holes. Make sure the Screws (#44) should be inserted from the inside of #3 to the outside.
- Install the Rain Guard (#21) above the Roof Panel (#11) using Screws (#46).
- Attach the Nesting Box Latch (#34) to the upper center position of the Nesting Box Front Panel (#8).



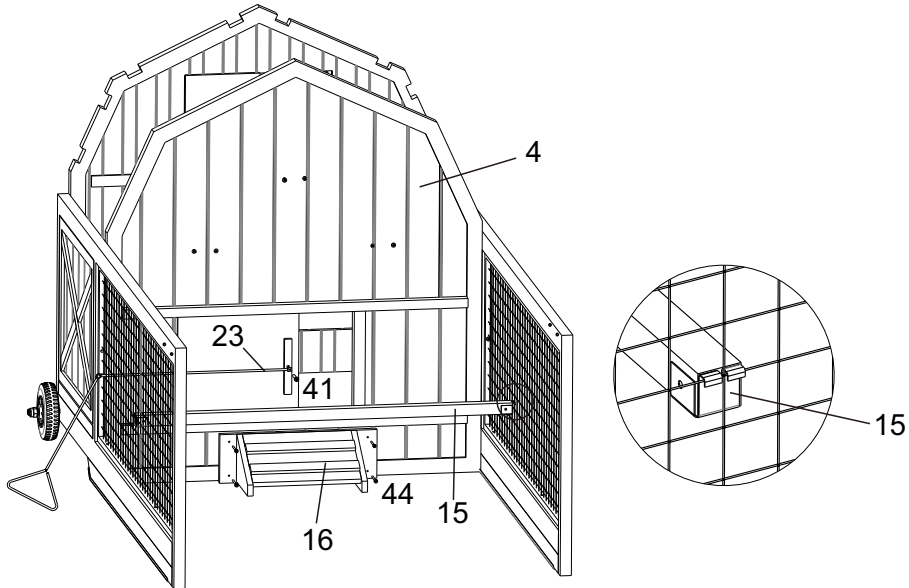
Step 5

- Place the Coop Floor Panel (#12) and the tray (#13) in sequence on the bottom support edge of Back Panel (#3) and Center Panel (#4), then place three pieces of Roosting Bars (#14).



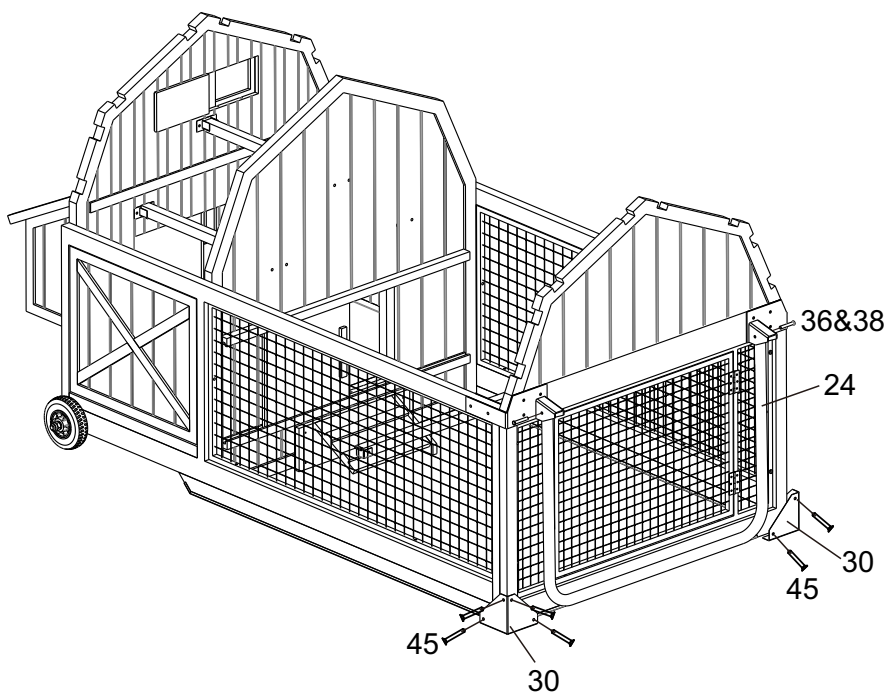
Step 6

- Insert the T-handle (#23) straight part through the wire mesh and secure its end to the sliding door with Screws (#41).
- Install the Ramp (#16) to the bottom of the Center Panel (#4) by Screws (#44).
- Hang the Roosting Bar (#15) over the wire mesh of the Panels (#1 & #2).



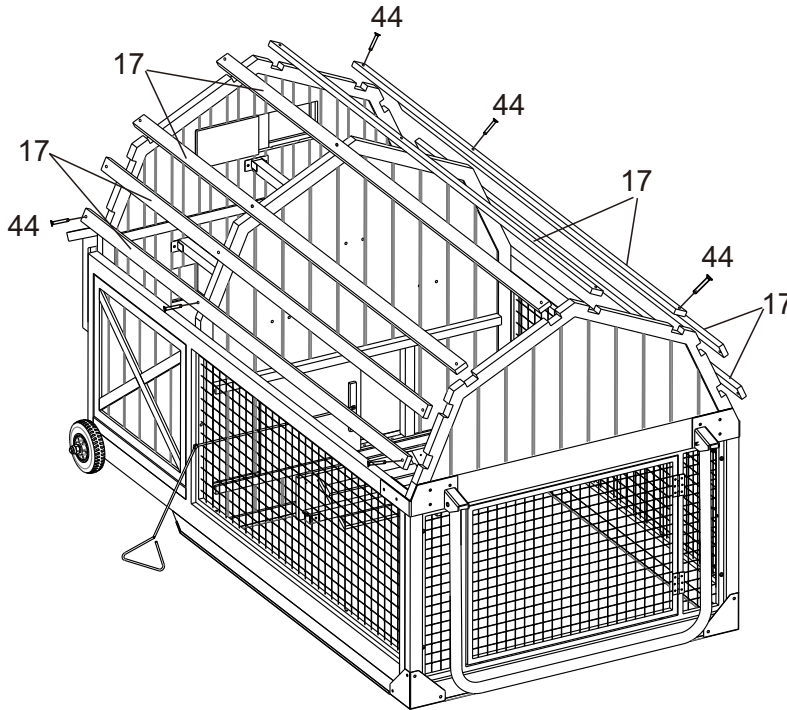
Step 7

- Fix the Coop Handle (#24) into the groove of Handle Outside Brackets (#27 & #28).
- Attach the two Base Corner Guard (#30) by Screws (#45).



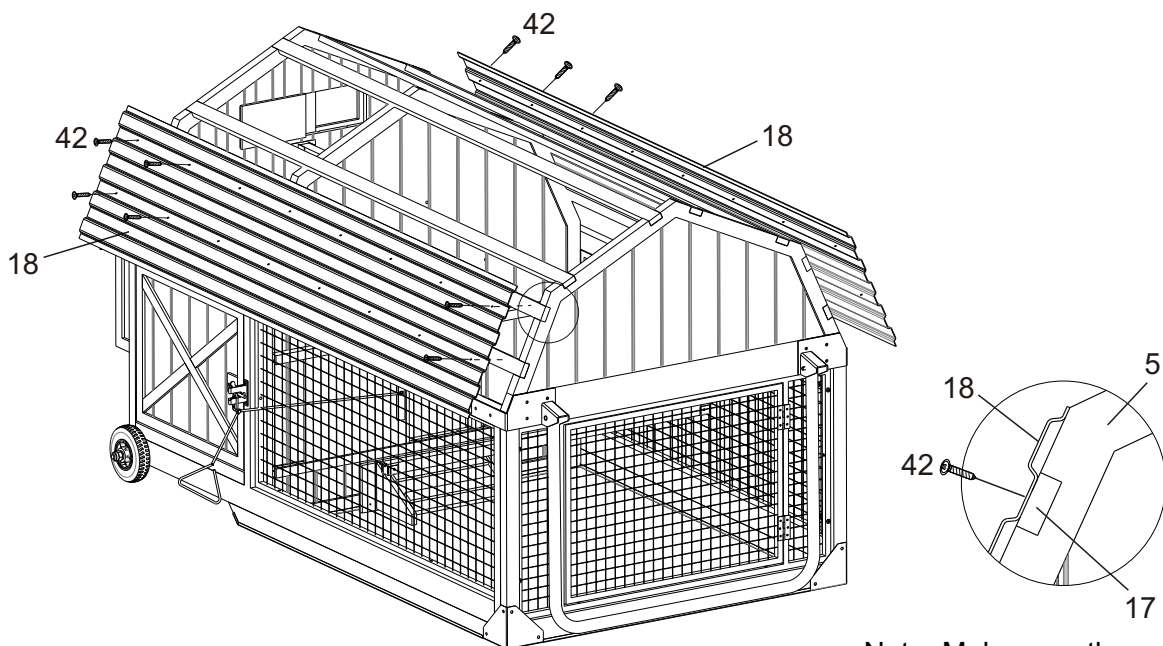
Step 8

- Fix the 8pcs Roof Support Bar (#17) on top of Front Panel (#5) and Back Panel (#3) by Screws (#44).



Step 9

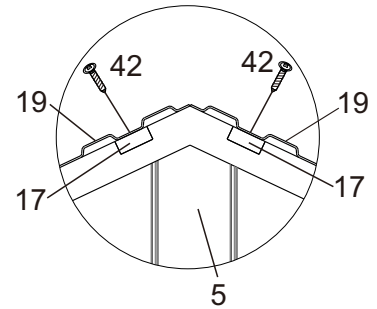
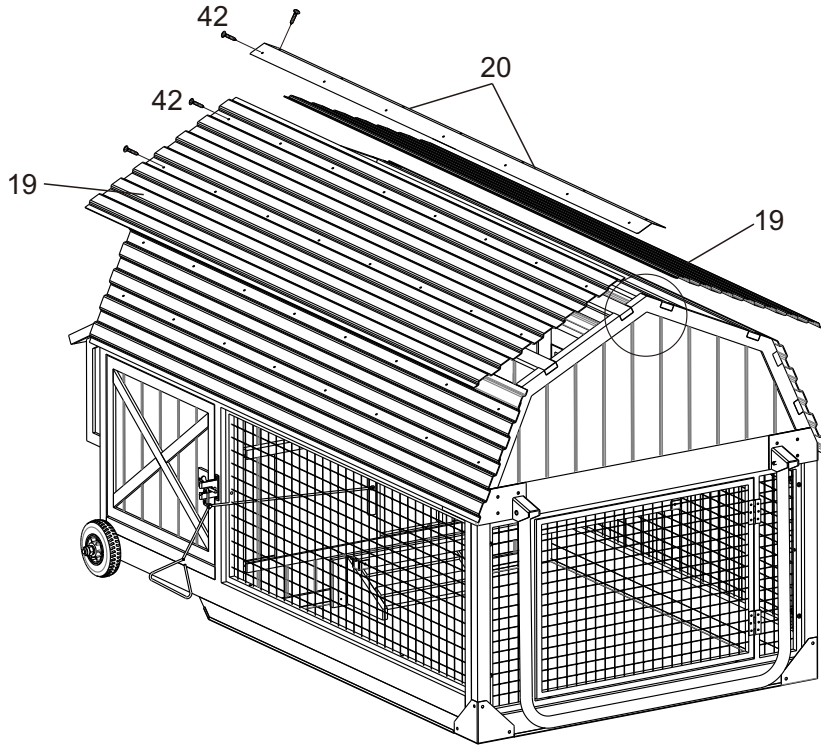
- Attach the 2 pieces of Roof Panel (#18), using Screws (#42).
- Note: The top line of #18 should be same height as the middle corner of Panels #3 & #5.



Note: Make sure the concave surface of the PVC panel touches the Roof Support Bar (#17), and fix them together by Screws (#42).

Step 10

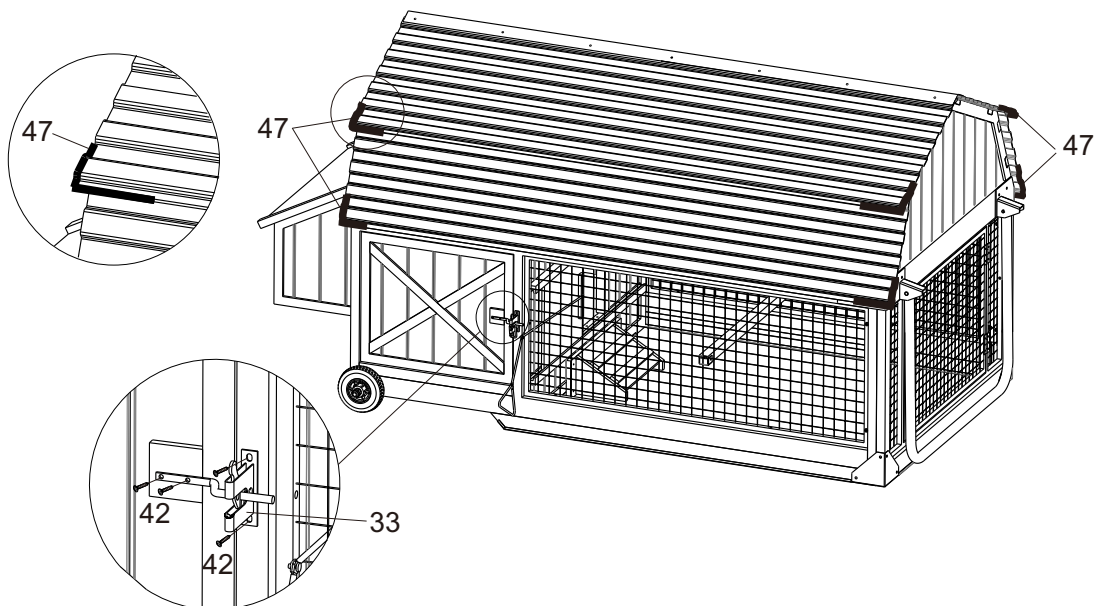
- Attach 2 pieces of Roof Panel 2 (#19) on top of the whole structure using Screws (#42).
- Cover the top gap by the 2 pieces Ridge Cover (#20) by Screws (#42).



Note: Make sure the concave surface of the PVC panel touches the Roof Support Bar (#17), and fix them together by Screws (#42).

Step 11

- Install the Door Latch (#33) by Screws (#42).
- Attach the 8pcs Edge Guard (#47) to the 8 PVC corners to avoid the sharpness.



The entire assembly is now completed