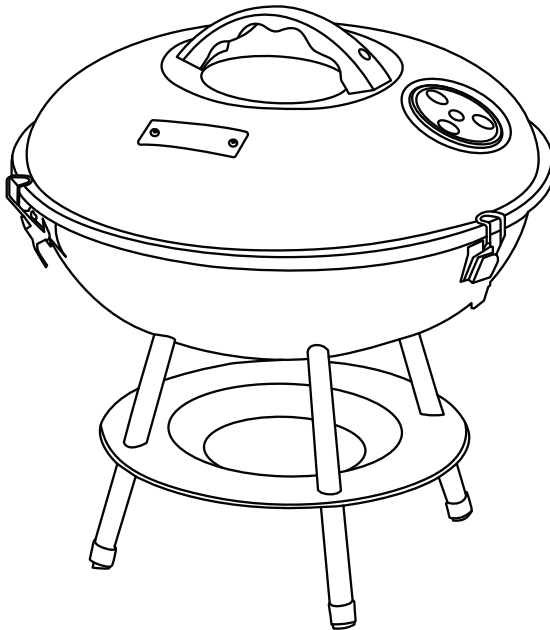


GAS ONE


CHARCOAL GRILL OPERATION MANUAL MODEL NO# CG-14



SOCIAL MEDIA

 www.gasone.com  [/gasoneusa](https://www.facebook.com/gasoneusa)  [@gasoneusa](https://www.instagram.com/gasoneusa)

FOR CALIFORNIA CONSUMERS ONLY:

 **WARNING**
Cancer and Reproductive Harm.
to www.P65Warnings.ca.gov

 Price Zone dba
International

Commerce, CA 90040
support@gasone.com
Toll Free: 1.800.698.5070
Customer Service Hours:
M - F: 9 am - 5 pm (PST)

IMPORTANT SAFETY INFORMATION

THIS MANUAL MUST REMAIN WITH THE PRODUCT AT ALL TIMES FOR OUTDOOR USE ONLY



CAUTION: SHARP EDGES. WEAR GLOVES WHEN ASSEMBLING YOUR GRILL.



CAUTION: READ AND FOLLOW ALL SAFETY STATEMENTS, ASSEMBLY INSTRUCTIONS, AND USE AND CARE DIRECTIONS BEFORE ATTEMPTING TO ASSEMBLE AND COOK.



WARNING: FAILURE TO FOLLOW ALL OF THE MANUFACTURER'S INSTRUCTIONS COULD RESULT IN HAZARDOUS FIRES, EXPLOSIONS, PROPERTY DAMAGE, PERSONAL INJURY OR EVEN DEATH.



WARNING: IN DIRECT SUNLIGHT AND IN OPERATION, YOUR GRILL'S STAINLESS STEEL AND PAINTED STEEL PARTS CAN BECOME VERY HOT.



NOTE: TO EXTEND THE SHELF LIFE OF YOUR GRILL, MAKE SURE THAT THE HOT COALS AND WOOD DO NOT TOUCH THE WALLS OF THE GRILL. DO NOT EXCEED THE RECOMMENDED CHARCOAL AMOUNT AND SPREAD THE CHARCOAL EVENLY ONCE IT.

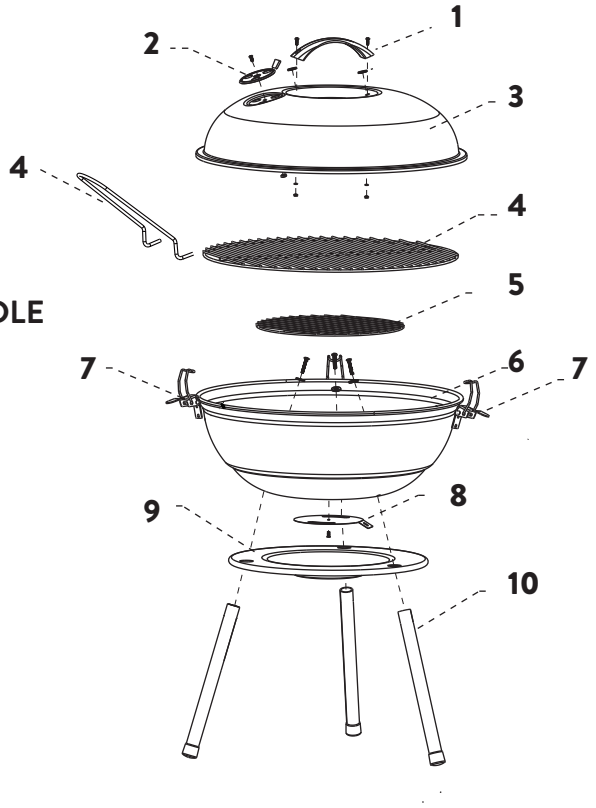
DANGER

To reduce the risk of serious bodily injury or death:

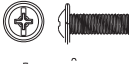
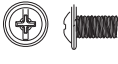






- Never use the grill unless all parts of the unit are firmly in place and the grill is stable.
- Never use gasoline, kerosene, alcohol or other volatile fluids as a starter. They can explode.
- Do not use aerosols or store flammable liquids or materials near this charcoal grill. cap lighter fluid immediately and place a safe distance from the grill.
- Instant light briquettes already have the starter blended in, do not use lighter fluid, an electric starter, solid or metal chimney starters.
- Do not add more instant light briquettes once the fire has been lit. To avoid flame ups, unpleasant fumes and odors, add regular charcoal briquettes if needed.
- Once the grill has been lit, do not touch the charcoal/wood chunks to see if they are hot.
- Never add lighter fluid to already hot or warm coals.
- Do not close hood on flaming charcoal. If close and re-opened, the flames could leap out and burn
- Do not wear loose clothing (example: hanging shirt tails, clothing with frills, etc.) around charcoal grill while in use or hot.
- Do not lean your body over the charcoal grill when lighting it, while it is hot or in use.
- Do not allow children to operate or play near a charcoal grill. Keep animals and bystanders out of the grill area. Do not leave grill unattended.
- To avoid a fire, allow coals to burn out completely and let the ashes cool for 48 hours before disposing of them.
- Do not attempt to extinguish grease fire with water or other liquids. Have an ABC fire extinguisher nearby.
- Always have an ABC fire extinguisher, baking soda, or a bucket of sand or a garden hose in case of an uncontrollable fire.

PARTS & PIECES

- 1 LID HANDLE
- 2 LID AIR VENT
- 3 LID
- 4 COOKING GRID W/HANDLE
- 5 CHARCOAL GRID
- 6 FIRE BOWL
- 7 LID HINGE
*Pre Installed
- 8 BOTTOM AIR VENT
- 9 ASH TRAY
- 10 LEG



PARTS & PIECES

A	M4*20 HANDLE SCREW		2
B	M4*10 VENT SCREW		2
C	M6*30 LEG SCREW *These screws have been installed into the leg. Remove them prior to installation		3
D	Ø4 HANDLE WASHER		2
E	Ø6 LEG WASHER *These washers have been installed into the leg. Remove them prior to installation		3
F	M4 HANDLE NUT		2
G	M4 VENT NUT		2
H	Ø6 SOFT HANDLE WASHER		2

THIS APPLIANCE IS DESIGN FOR USE ONLY WITH CHARCOAL BRIQUETTES LUMP CHARCOAL AND COOKING WOOD.

ATTENTION: THIS GRILL WILL BECOME VERY HOT. DO NOT MOVE IT DURING OPERATION. DO NOT USE IT INDOORS!

CAUTION: DO NOT USE SPIRIT, PETROL, OR ANY COMPARABLE FLUIDS FOR LIGHTING OR RE-LIGHTING.

WARNING: KEEP CHILDREN AND PETS AWAY!

OPERATING

DIRECT COOKING

1. While wearing protective gloves, carefully spread coals evenly across grid with long handled tool.
2. Carefully replace cooking grid.
3. Place food on cooking grid.

INDIRECT COOKING

1. While wearing protective gloves, carefully spread coals into a donut shape with a long handled tool.
2. Place a metal tray in center of donut to catch drippings.
3. Carefully replace cooking grid.
4. Place food on cooking grid directly over the metal pan.

CLEANING AND CARE

CAUTION

1. All cleaning and maintenance should be done when grill is cool.
2. **DO NOT** clean any grill part in a self-cleaning oven. The extreme heat will damage the finish.
3. Abrasive cleaners will damage this product.
4. Never use oven cleaner to clean any part of the grill.

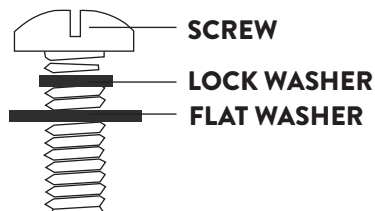
CLEANING SURFACES

1. Wipe surfaces clean with mild dishwashing detergent or baking soda.
2. For stubborn surfaces use a citrus based degrease and nylon scrubbing brush.
3. Rinse clean with water.

TOOLS NEEDED FOR ASSEMBLY

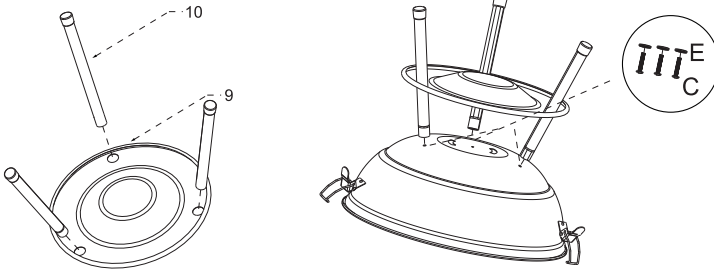
- Cross head screw driver (long and short)
- Adjustable wrench

***FOR CORRECT HARDWARE ASSEMBLY, ALWAYS POSITION THE LOCK WASHER BETWEEN THE SCREW AND FLAT WASHER.**

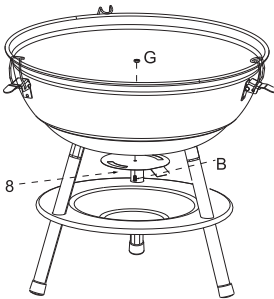


ASSEMBLY

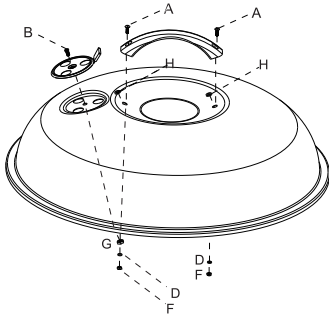
1. Put the legs (10) through the hole of the ash tray (9) and attach to the firebowl (6). Hand tighten to hold them together one by one. Tighten the screws using a screwdriver. Do not twist legs to tighten.



2. Install the bottom air vent (8) to the fire bowl (6).



3. Attach the lid handle (1) to the lid (3). Attach the lid air vent (2) to the lid (3).



4. Place charcoal grid (5) onto the firebowl (6). Place cooking grid (4) onto the firebowl (6). Attach cooking grid handle to the grid.

