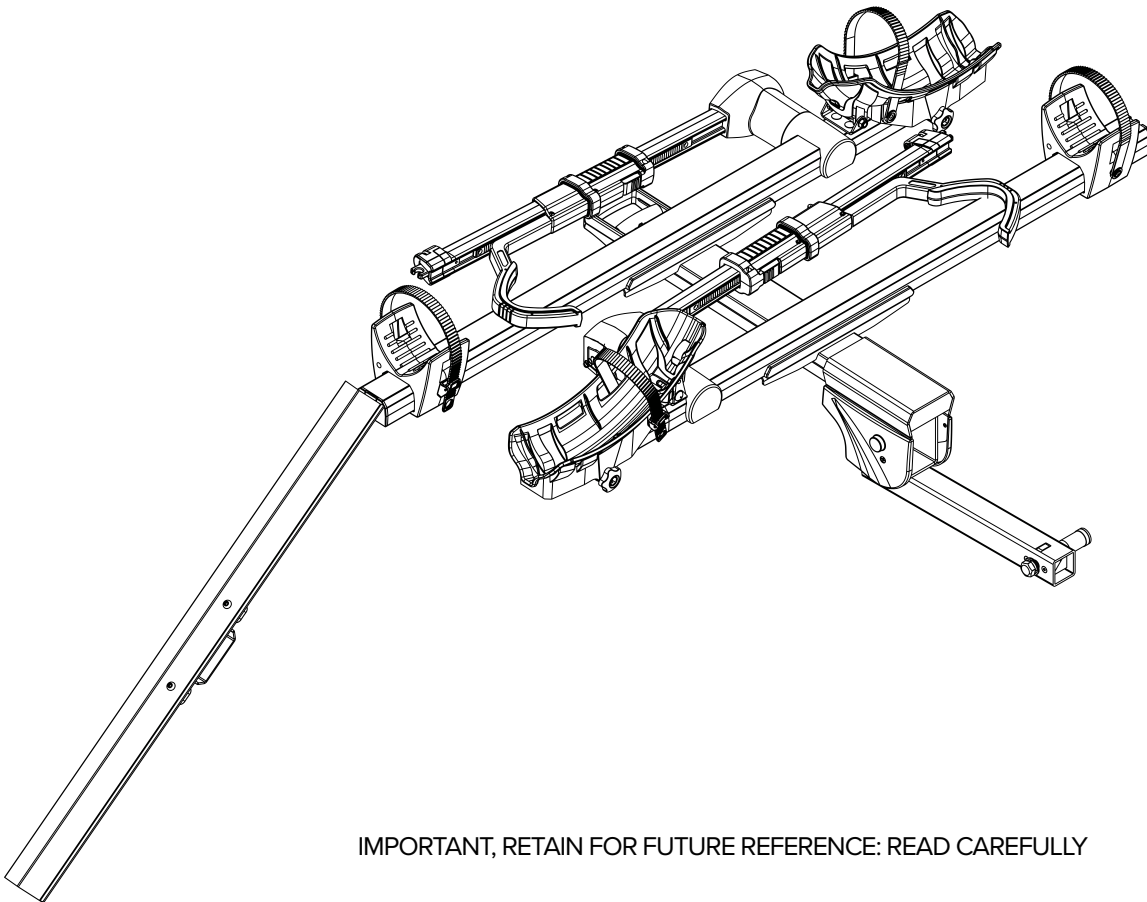




BCR790E

HITCH-MOUNTED E-BIKE PLATFORM
CARRIER

USER MANUAL



IMPORTANT, RETAIN FOR FUTURE REFERENCE: READ CAREFULLY

DK2 USA WEST

3311 MEADE AVENUE STE
E DOCK 13, LAS VEGAS, NEVADA
89102 USA

DK2 CORPORATE HEAD OFFICE

5330 MAINWAY
BURLINGTON, ONTARIO
L7L6A4 CANADA

DK2 USA EAST

3750 SOUTH AVENUE
NORTH UNIT, TOLEDO, OHIO
43615 USA

WARRANTY

WHAT IS COVERED

Detail K2 Inc. warrants to the original purchaser of a Detail K2 item that the product will be warranted for a period of one (1) year from the date of the original purchase.

If within one (1) year from the original date of purchase this product fails due to defect in material or workmanship, Detail K2 Inc. will repair, replace, or supply any defective part at our option. Upon expiry of one (1) year, Detail K2 Inc. will have no further liability related to the product.

Detail K2 Inc. does not authorize any party, including its authorized distributors or dealers, to offer any other warranty on behalf of Detail K2 Inc.

THIS WARRANTY DOES NOT COVER OR APPLY TO:

- a) Damage to the product due to misuse, mishandling and abuse
- b) Improper installation, maintenance and storage
- c) Expendable parts such as nuts and bolts, pins and springs
- d) Normal wear and tear
- e) Consequential damage and incidental damages such as damage to persons or property

This Detail K2 Inc. product is intended for personal use only. It is not intended for commercial use and subsequent use in this capacity will void all warranty claims.

PROCEDURE FOR OBTAINING A RETURN AUTHORIZATION

Within the one (1) year warranty period, the purchaser of the product must notify an authorized retailer or DK2 Inc. of the claimed defect and provide proof of original purchase. At this time the validity of the claim will be determined and a Return Goods Authorization Number (RGA) will be issued if approved. No returned product will be accepted under warranty unless accompanied by an RGA# issued by Detail K2 Inc.

RESOLUTION FOR A DEFECTIVE PRODUCT

Detail K2 Inc. will at its option repair or replace the defective product covered by this warranty. The repaired product will be shipped to the purchaser upon completion. All transportation charges shall be the responsibility of the purchaser. Any damage in transit will be the responsibility of the carrier or at the risk of the purchaser.

REGISTERING YOUR PRODUCT

Please take a minute and visit our website to register your product at www.dk2.com

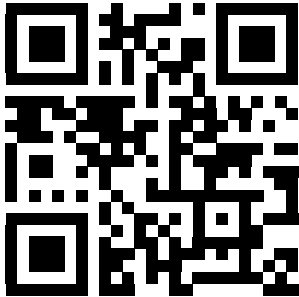
ONLINE RESOURCES



PRODUCT PAGE

LEARN MORE ABOUT YOUR PRODUCT

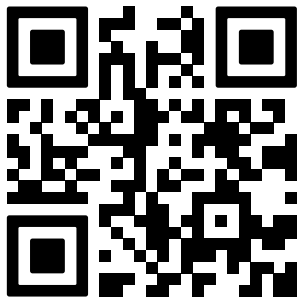
Visit your product's web page by visiting www.detailk2.com/bcr790e-info where you can find all sorts of information specific to your product, from description, to photos/videos, specifications, and support. You can also visit this page on your mobile device by scanning the **PRODUCT PAGE QR Code** on the left.



PARTS STORE

PURCHASING REPLACEMENT PARTS

In need of replacement parts? You can visit <https://detailk2.com/shop-auto-accessories> where you can purchase anything from small to large items. You can also shop on your mobile device by scanning the **PARTS STORE QR Code** on the left and you'll be directed to our online store.



USER MANUAL

VIEW THIS USER MANUAL ON YOUR PHONE

Scan the **USER MANUAL QR Code** on the left to view this product's user manual on your mobile device. You may save the manual to your phone or keep it open in your phone's internet browser for future use.

TABLE OF CONTENTS




WARRANTY	2
ONLINE RESOURCES	3
TABLE OF CONTENTS	4
TECHNICAL SPECIFICATIONS.....	5
SECTION I • SAFETY	6
SAFETY CONVENTIONS	7
BEFORE OPERATION	7
GENERAL REMARKS	8
SAFE AND PROPER USE	8
ROAD SAFETY	9
MAINTAINING YOUR CARRIER	9
SECTION II • ASSEMBLY	10
PACKAGE CONTENTS.....	11
STEP 1: INNER RACK	12
STEP 2: OUTER RACK.....	13
STEP 3: BASE	14
SECTION III • INSTALLATION & USE	15
STEP 1: CARRIER MOUNTING	16
STEP 2: BIKE MOUNTING.....	17
STEP 3: SECURING THE BIKE(S)	18
HOW TO USE THE SAFETY STRAP	20
STOWING THE RAMP	21
REAR VEHICLE ACCESS TILTING	22
REAR VEHICLE FOLD-UP	23
SECTION IV • PARTS & SCHEMATICS	24
SCHEMATICS	25
PARTS LIST	26

TECHNICAL SPECIFICATIONS

CONSTRUCTION	Powder-coated steel
COMPATIBILITY	Most e-bikes, fat tire bikes, road bikes and mountain bikes
TIRE SIZE COMPATIBILITY	15.9" to 28.9" (40.6 cm to 73.6 cm)
MAX TIRE WIDTH	4.7" (12.1 cm)
FOLDED DIMENSIONS (AGAINST REAR VEHICLE)	58.6" (L) x 17.8" (W) x 32.3" (H) 148.8 cm (L) x 45.2 cm (W) x 82.1 cm (H)
UNFOLDED DIMENSIONS	58.6" (L) x 41.8" (W) x 38.2" (H) 148.8 cm (L) x 106.2 cm (W) x 97.1 cm (H)
WEIGHT	61.7 lb (28 kg)
BIKE WEIGHT CAPACITY	77 lb (35 kg)
TOTAL WEIGHT CAPACITY	154 lb (70 kg)
RECEIVER	Fits on a 2" (5.08cm) hitch receiver
SHIPPING DIMENSIONS	55.1" (L) x 18.1" (W) x 9.8" (H) 140 cm (L) x 46 cm (W) x 25 cm (H)
SHIPPING WEIGHT	68.3 lb (31 kg)
WARRANTY	1-year limited

SECTION I • SAFETY









SAFETY CONVENTIONS

-  **DANGER!** This indicates a hazardous situation, which, if not avoided, will result in death or serious injury.
-  **WARNING!** This indicates a hazardous situation, which, if not avoided, could result in death or serious injury.
-  **CAUTION!** This indicates a hazardous situation, which, if not avoided, may cause minor or moderate injury.

ADDITIONAL INFORMATION AND POTENTIAL CHANGES

We reserve the right to discontinue, change, and improve our products at any time without notice or obligation to the purchaser. The descriptions and specifications contained in this manual were in effect at printing. Equipment described within this manual may be optional. Some illustrations may not be applicable to your equipment.

BEFORE OPERATION

-  **WARNING!** Read and understand the complete User Manual before assembling or using this product. Failure to comprehend and comply with warnings, cautions and instructions for assembly and operation could result in serious injury or death. 
-  **WARNING!** Do not permit children to use this equipment at any time. Do not permit others that have not read and understood the complete User Manual to use this equipment. It is the sole responsibility of the user to understand the assembly and safe use of this product.
-  **DANGER! INTENDED USE:** Do not use this equipment for any purpose other than carrying bicycles, for which it was designed. Any other use is unauthorized and may result in serious injury or death. Do not modify any components of the product. Remove the carrier if not in use.
-  **DANGER! DO NOT MOUNT THIS CARRIER TO RVs, TRAVEL TRAILERS, OR OTHER MID-AXLE VEHICLES THAT MAY HAVE CAUSE TOO MUCH TORQUE DURING TRANSPORT:** Torque from the mid-axle tires on RVs and travel trailers can cause too much strain on the carrier, causing damage to your bicycle carrier and/or possibly creating loss of stability or swaying of the carrier, leading bicycles to fall out of place entirely during transportation. Failure to follow this warning can lead to serious injury or even death. 

-  **DANGER! STRAPPING YOUR HEAVY BIKES FOR SECURE TRANSPORT:** DK2 recommends the use of an additional bike rack support strap with all hitch-mounted carriers. We recommend a rack strap with a cambuckle for added support and security.

NOTE: Failure to use a support strap with a DK2 bike rack will void the warranty of the product.

GENERAL REMARKS



WARNING! Please read and observe the instructions carefully before you use the product, and keep them in a safe place for future use. Check the part list after opening the package. Make sure that all parts are fully assembled according to the instruction before fitting it on your car.

NOTE: The user is responsible for assembly and installation of this product, and the manufacturer disclaims any liability due to improper fitting or use of the product.



WARNING! Failure to properly install this bike carrier and/or the bikes may cause damage to the vehicle and/or the bikes, and may result in personal injury.



DANGER! DO NOT use the carrier to carry more bikes than recommended. **The weight of each bike cannot exceed 77 lb (35 kg).**

NOTE: This carrier is designed to be fitted directly on vehicles with a 2-inch (5.08 cm) hitch receiver.



CAUTION! This carrier is not intended for transporting tandem, or recumbent bicycles.



WARNING! Do not transport bicycles with attached baby seats, panniers, wheel covers, or full bike covers.

SAFE AND PROPER USE



CAUTION! Please make sure you clean the surface of the hitch receiver completely before installing the rack.



DANGER! Always use the safety straps to attach the bikes to the carrier. Failure to follow this warning can result in serious injury or death.



CAUTION! Check if the distance from the exhaust pipe to the bicycle tires is safe for bicycles or the straps of the carrier. The heat of the exhaust could damage the bike or bicycle racks.



CAUTION! If your vehicle is equipped with an automatic tailgate opening system, disable this function when using the carrier, and open the tailgate manually. Failure to follow this instruction can lead to damage to the bike rack and more importantly, the vehicle.



CAUTION! When loading the bicycles, remove all loose parts and accessories from bicycles (toolbars, baby carriers, pumps, etc.). These items have a chance of falling off of the bikes during transport.








CAUTION! Always position the biggest/heaviest bike first and closest to the vehicle, and then position the smaller bike after.

NOTE: The user is responsible for verifying that all hardware, straps, knobs, and hubs are securely tightened for safety purposes before each use.

ROAD SAFETY

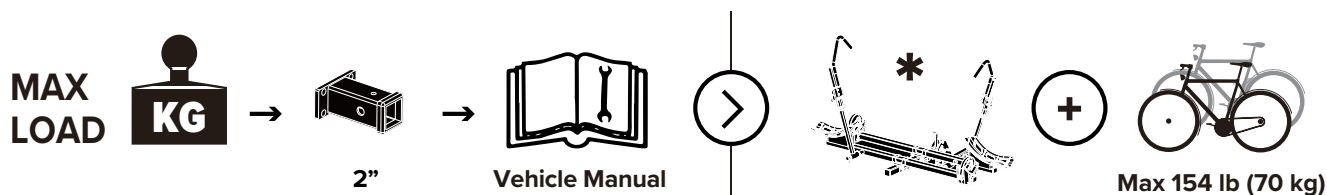
NOTE: Check before departure that the light board of the carrier is properly functioning.

NOTE: The bicycle rack increases the vehicle's length, and the bicycles may increase its width and height. Be aware of this when passing through narrow or low clearance spaces and when reversing. Any loads exceeding the indicated dimensions must nevertheless respect existing regulations and be properly strapped down.

-  **CAUTION!** The load of the rack and bicycles will affect driving. Do not exceed the speed limit, and **do not drive faster than 65 mph (100km/h)**.
-  **CAUTION!** Drive slowly over speed bumps. Respect the speed limit, and adapt your speed to the condition of the road. Failure to follow this instruction can result in damage to the hitch receiver, the carrier, or the vehicle.
-  **CAUTION!** Off-road driving is not recommended and could result in damage to your vehicle, hitch receiver, bike carrier, or your bikes.
-  **CAUTION!** If you hit a bump or hole in the road, stop your vehicle and inspect the bikes and the carrier. If you notice anything wrong, remove the bikes and do not use the bike carrier.
-  **CAUTION!** Make sure there is a safe distance between the bikes and the ground, especially when entering the driveway.

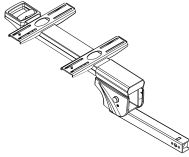
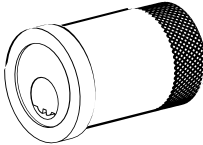
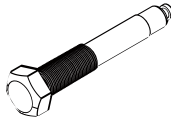

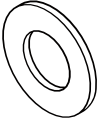
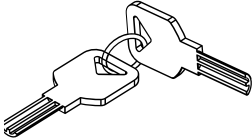
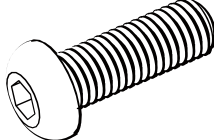
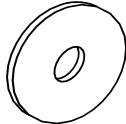
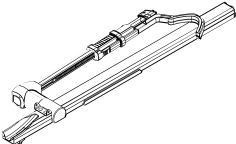
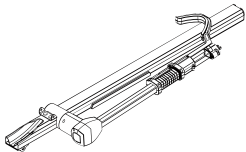
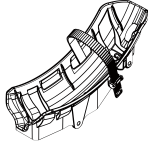

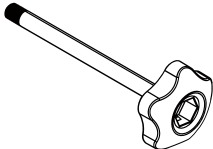

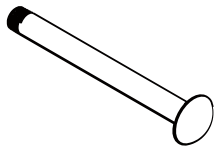

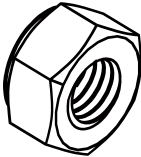

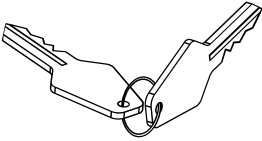
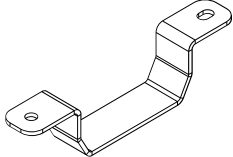
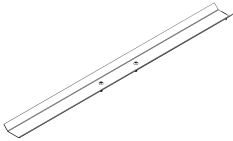
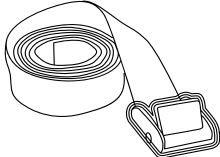
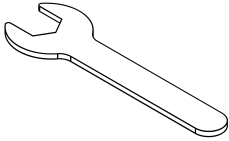
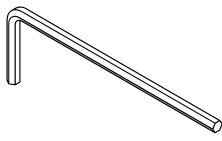
MAINTAINING YOUR CARRIER

- Inspect the product for signs of wear, corrosion, and fatigue before each use.
- Do not use the carrier with defective parts; contact the dealer to replace them before using it again.
- Remove the product before entering an automatic car wash.
- To keep your product in the best condition, it is recommended to remove the product from the vehicle when not in use. Please be advised that this product is not designed to resist extreme weather conditions, especially seacoast air.
- Lubricate the bolts in order to avoid corrosion.

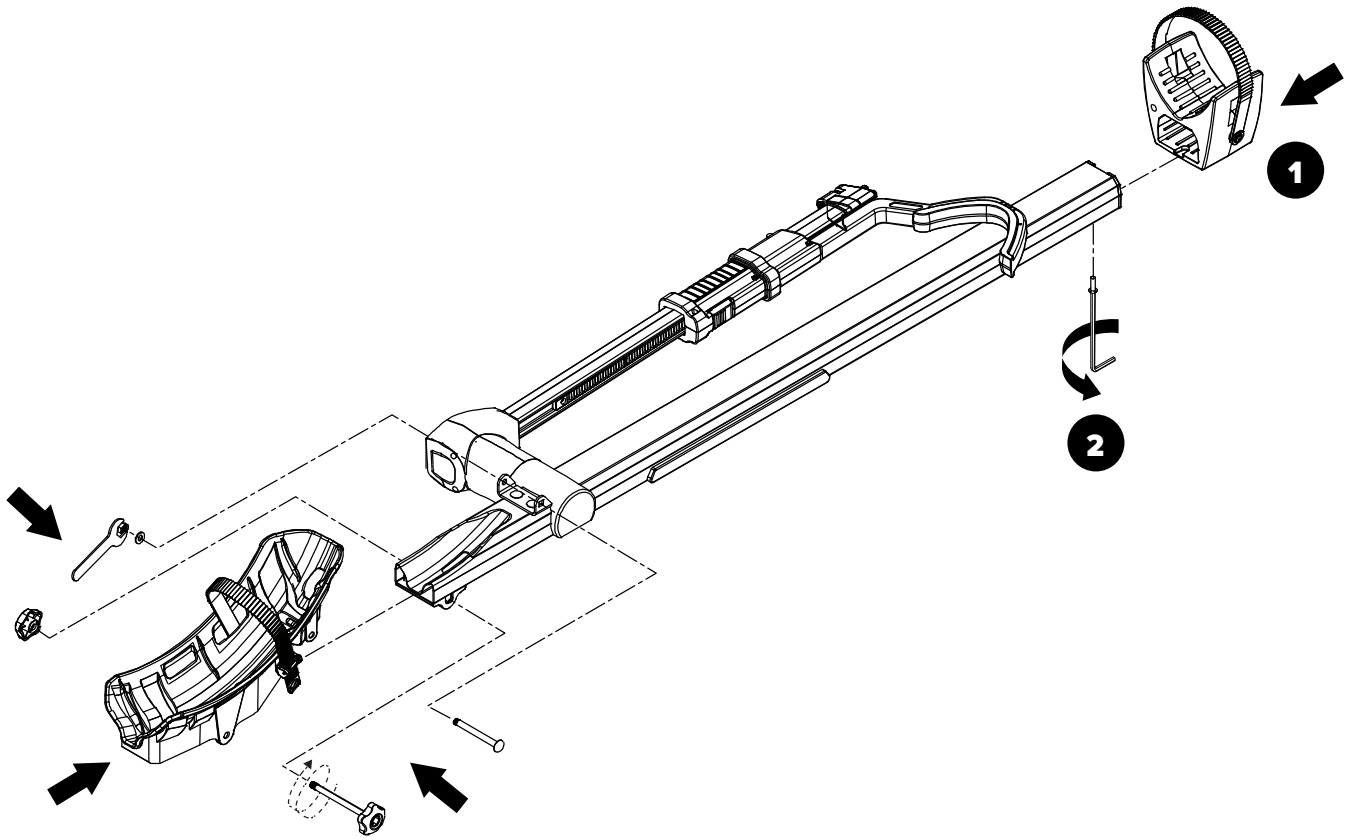


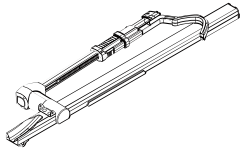
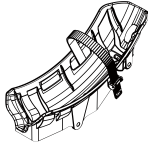

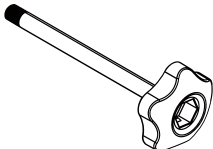
SECTION II • ASSEMBLY


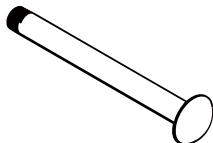

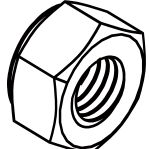
PACKAGE CONTENTS


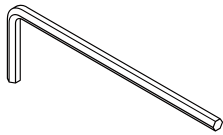
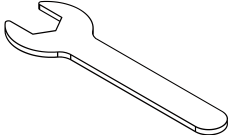
A1	x1	A2	x1	A3	x1	A4	x1
							
Base		Hitch Lock		M16x95 Screw		Ø16 Lock Washer	
A5	x1	A6	x1	B	x8	C	x8
							
Ø16 Washer		Hitch Lock Keys		M8x20 Screw		Ø8 Washer (Large)	
D1	x1	D2	x1	D3	x2	D4	x2
							
Inner Rack		Outer Rack		Front Wheel Cradle		Rear Wheel Cradle	
D5	x2	D6	x4	D7	x2	D8	x2
							
M8x105 Adjustment Handle Base		M8 Adjustment Handle		M8x80 Screw		Ø8 Washer (Small)	
D9	x2	D10	x2	D11	x1	D12	x1
							
M8 Hex Nut		M6x20 Screw		Bike Keys		Ramp Bracket	
D13	x1	E	x1	F	x1	G	x1
							
Ramp		Safety Strap		S13 Wrench		S5 Allen Key	

STEP 1: INNER RACK

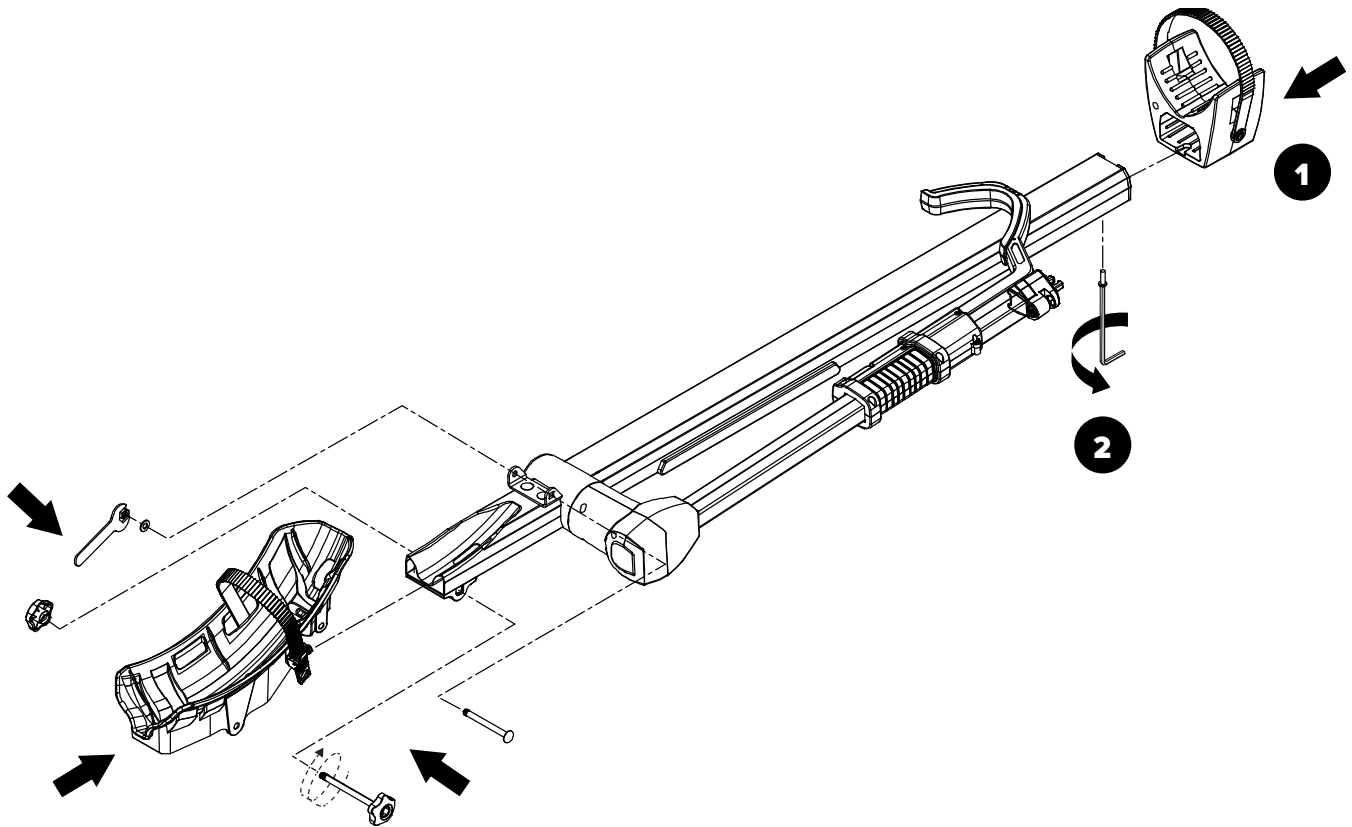


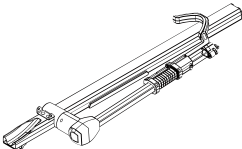
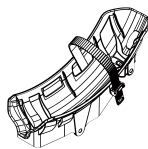

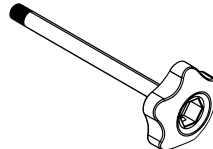
D1	x1	D3	x1	D4	x1	D5	x1
							
Inner Rack		Front Wheel Cradle		Rear Wheel Cradle		M8x105 Adjustment Handle Base	


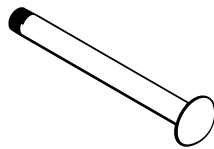

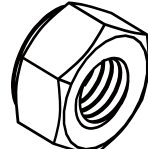
D6	x1	D7	x1	D8	x1	D9	x1
							
M8 Adjustment Handle		M8x80 Screw		Ø8 Washer (Small)		M8 Hex Nut	


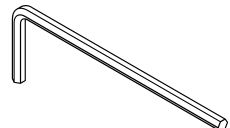
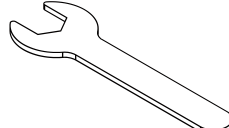
D10	x1	F	x1	G	x1
					
M6x20 Screw		S5 Allen Key		S13 Wrench	

STEP 2: OUTER RACK

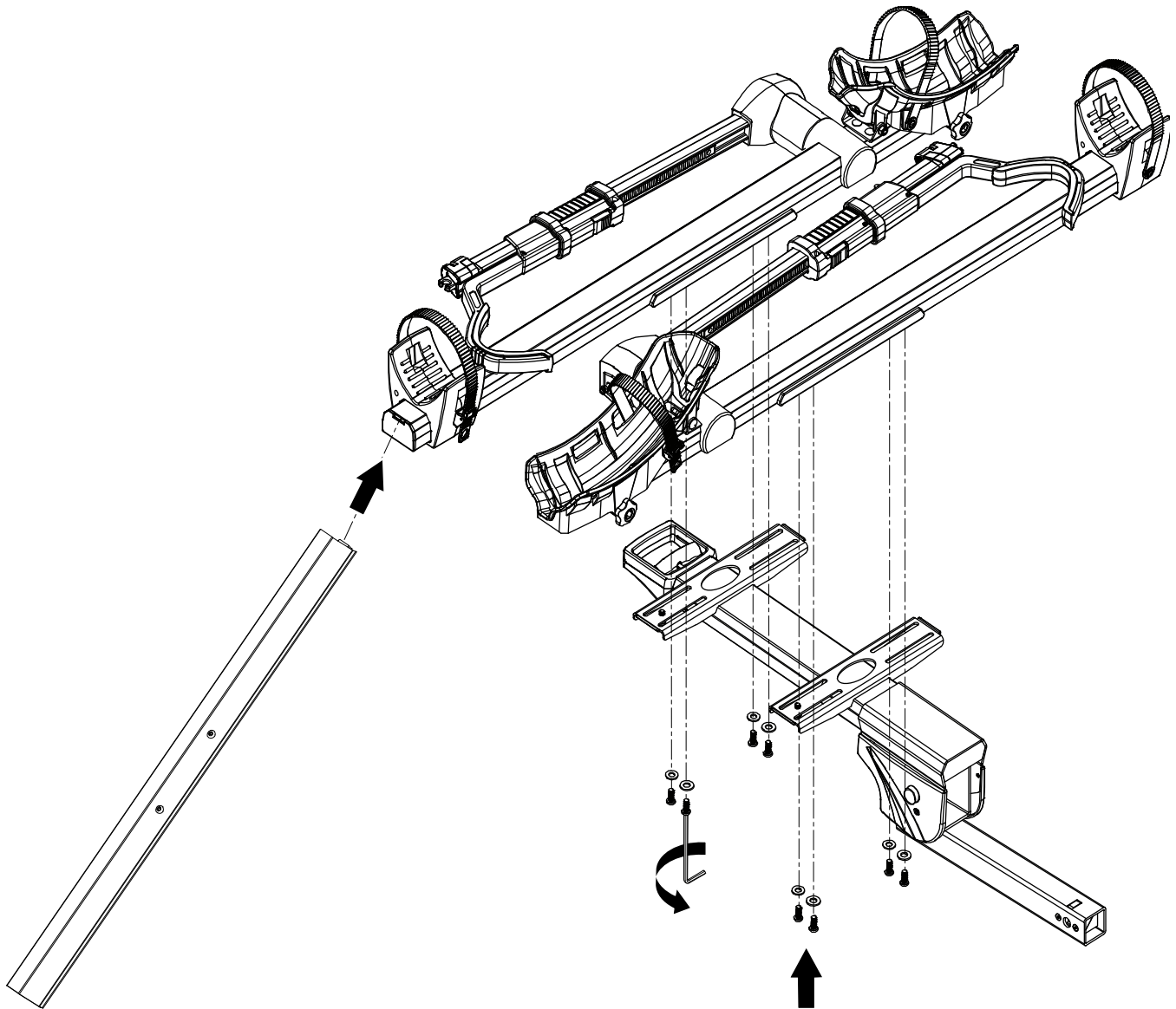


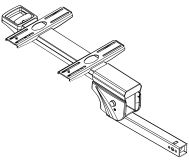
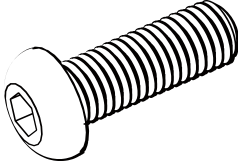
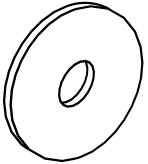
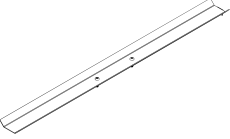
D2	x1	D3	x1	D4	x1	D5	x1
							
Outer Rack		Front Wheel Cradle		Rear Wheel Cradle		M8x105 Adjustment Handle Base	

D6	x1	D7	x1	D8	x1	D9	x1
							
M8 Adjustment Handle		M8x80 Screw		Ø8 Washer (Small)		M8 Hex Nut	

D10	x1	F	x1	G	x1
					
M6x20 Screw		S5 Allen Key		S13 Wrench	

STEP 3: BASE

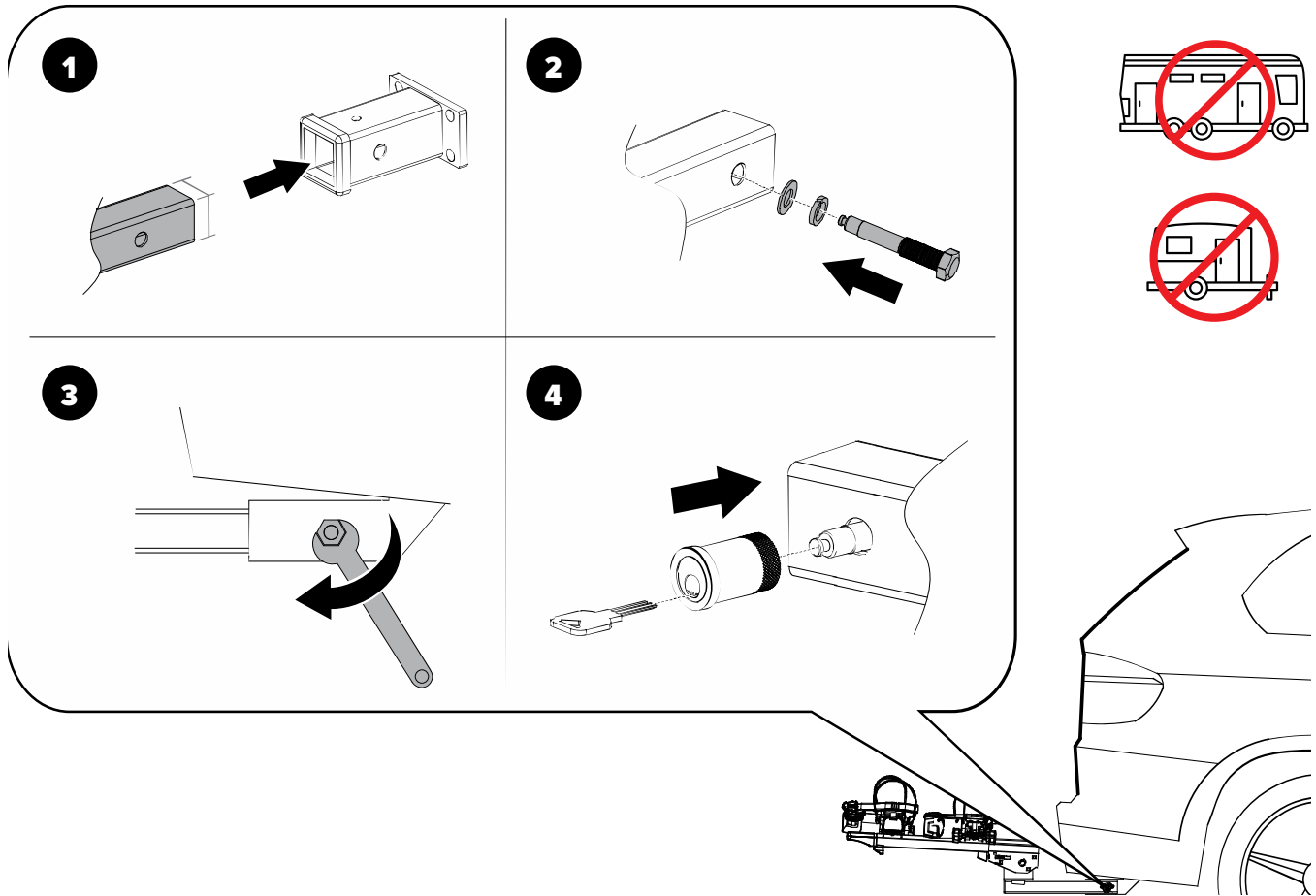


A1	x1	B	x8	C	x8	D13	x1
							
Base		M8x20 Screw		Ø8 Washer (Large)		Ramp	

SECTION III • INSTALLATION & USE

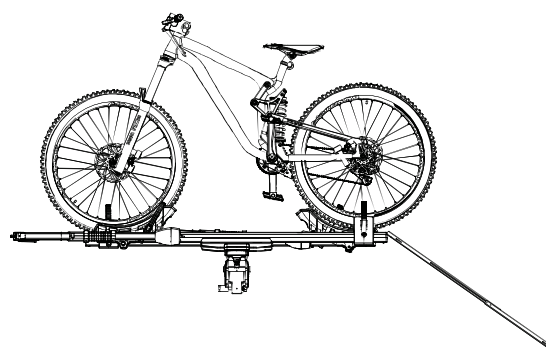
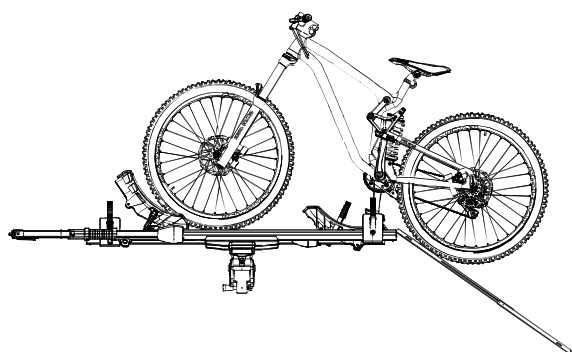
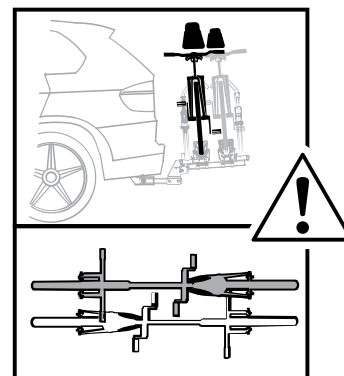
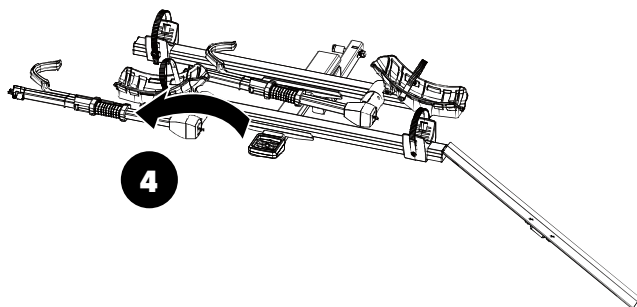
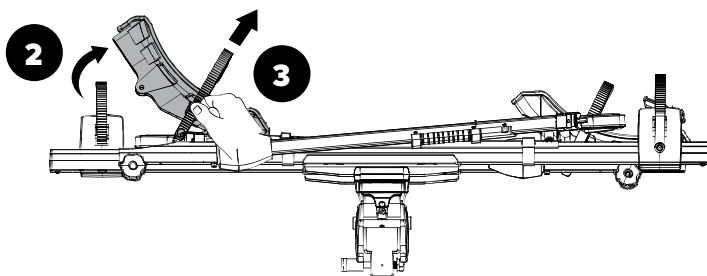
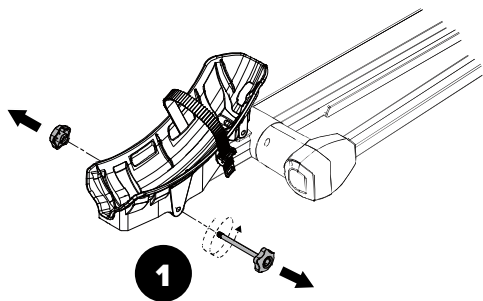
STEP 1: CARRIER MOUNTING

⚠ DANGER! DO NOT mount any 2-inch hitch-mounted carrier to RVs, travel trailers, or any mid-axle vehicles. The torque from the mid-axle tires on RVs, travel trailers, etc. can cause too much strain on the carrier, causing damage to your bicycle carrier and/or possibly creating loss of stability or swaying of the carrier, leading bicycles to fall out of place entirely during transportation. Failure to follow this warning can lead to serious damage to the hitch receiver, bicycle carrier, mounted bikes, or the vehicle. Failure to follow this warning can also lead to serious injury or death.

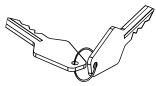
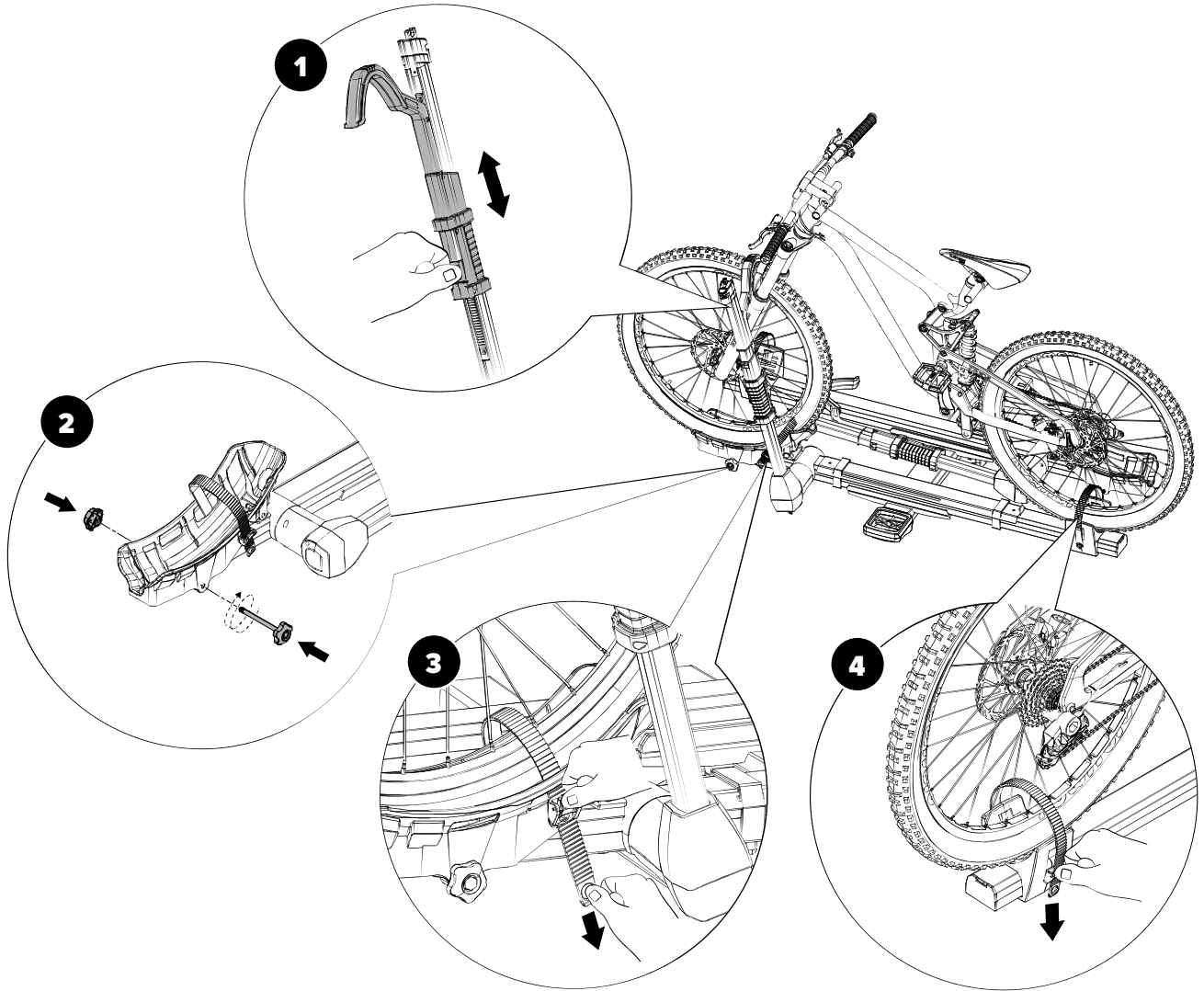


A2	x1	A3	x1	A4	x1	A5	x1	A6	x1
Hitch Lock		M16x95 Screw		Ø16 Lock Washer		Ø16 Washer		Hitch Lock Keys	

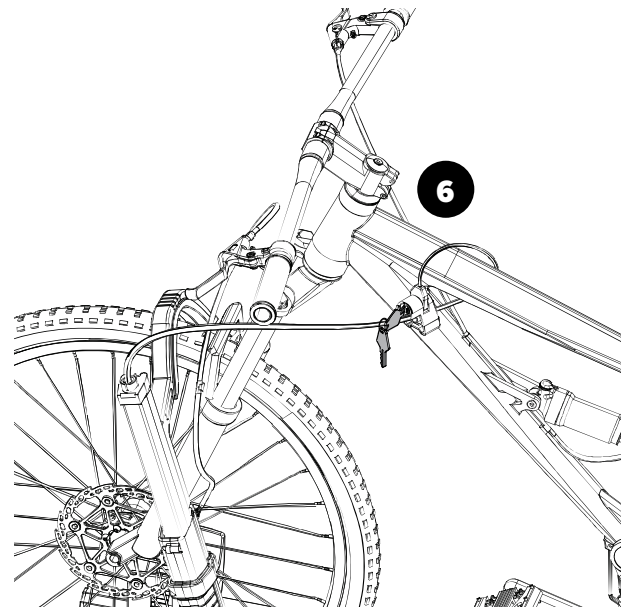
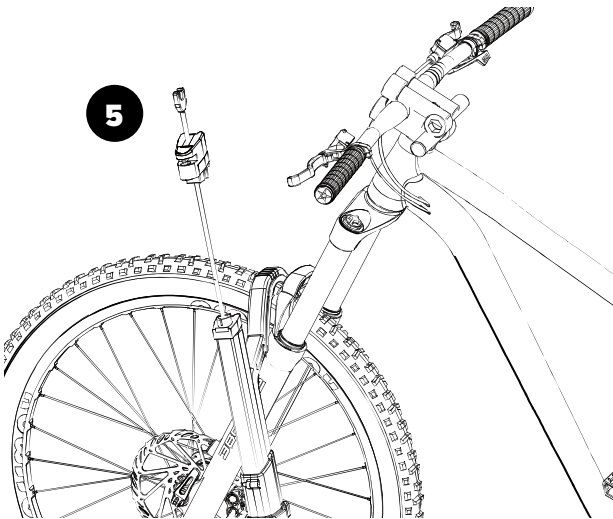
STEP 2: BIKE MOUNTING



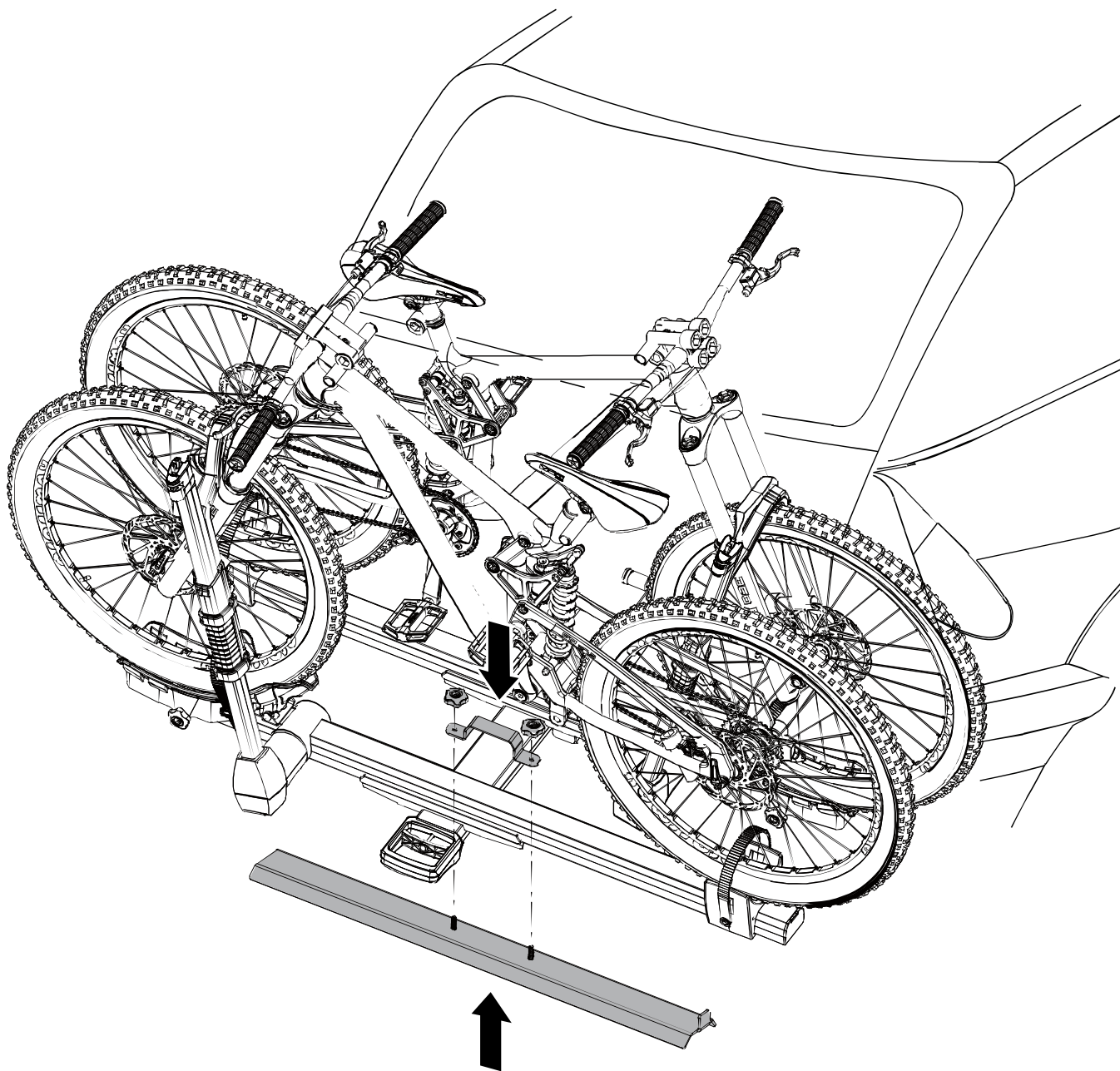
STEP 3: SECURING THE BIKE(S)



Bike Keys (V) required to lock/unlock bike.

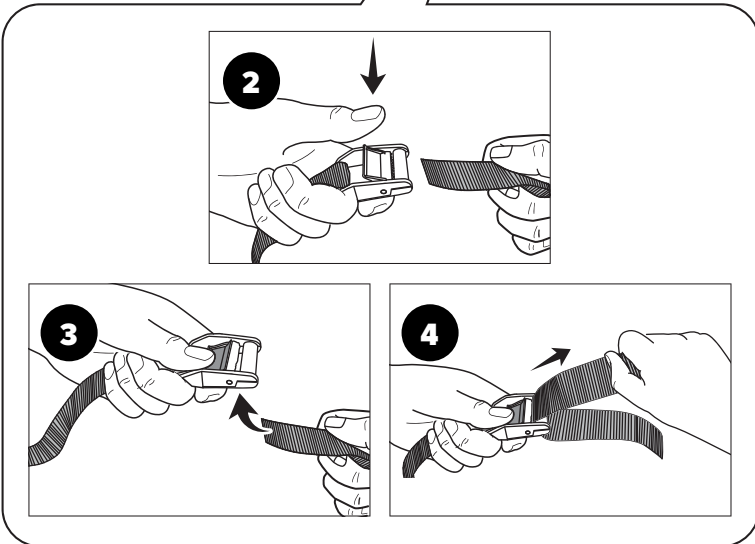
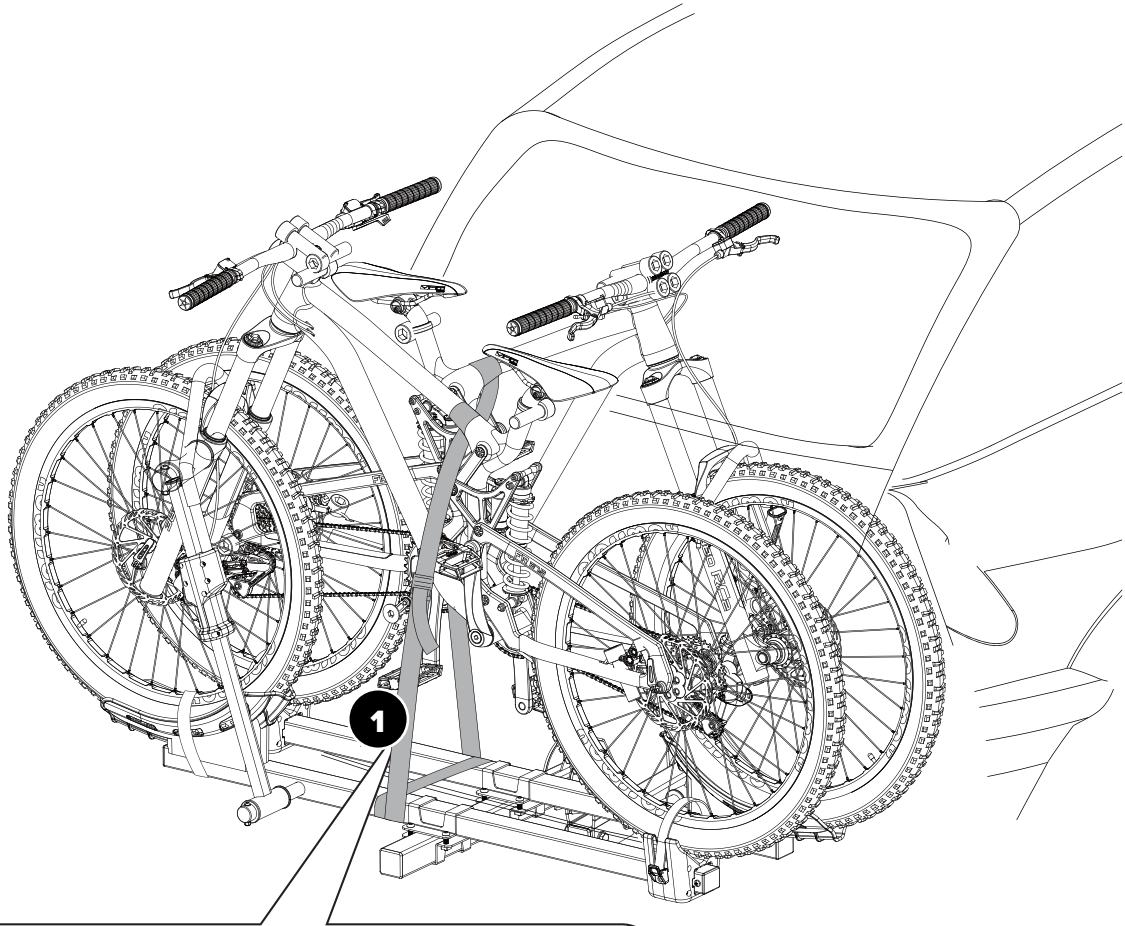


STOWING THE RAMP



D6	x2	D12	x1
<p>M8 Adjustment Handle</p>		<p>Ramp Bracket</p>	

HOW TO USE THE SAFETY STRAP

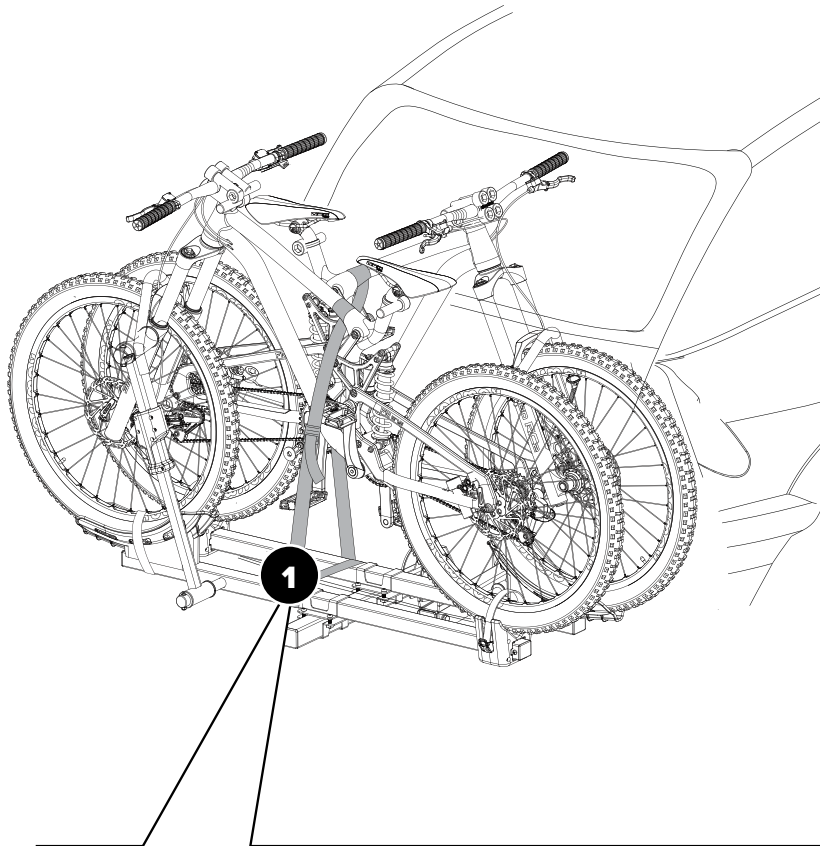


E	x1
<p>Safety Strap</p>	



WARNING! It is recommended to always use your support strap when transporting with bikes mounted to the carrier.

HOW TO USE THE SAFETY STRAP



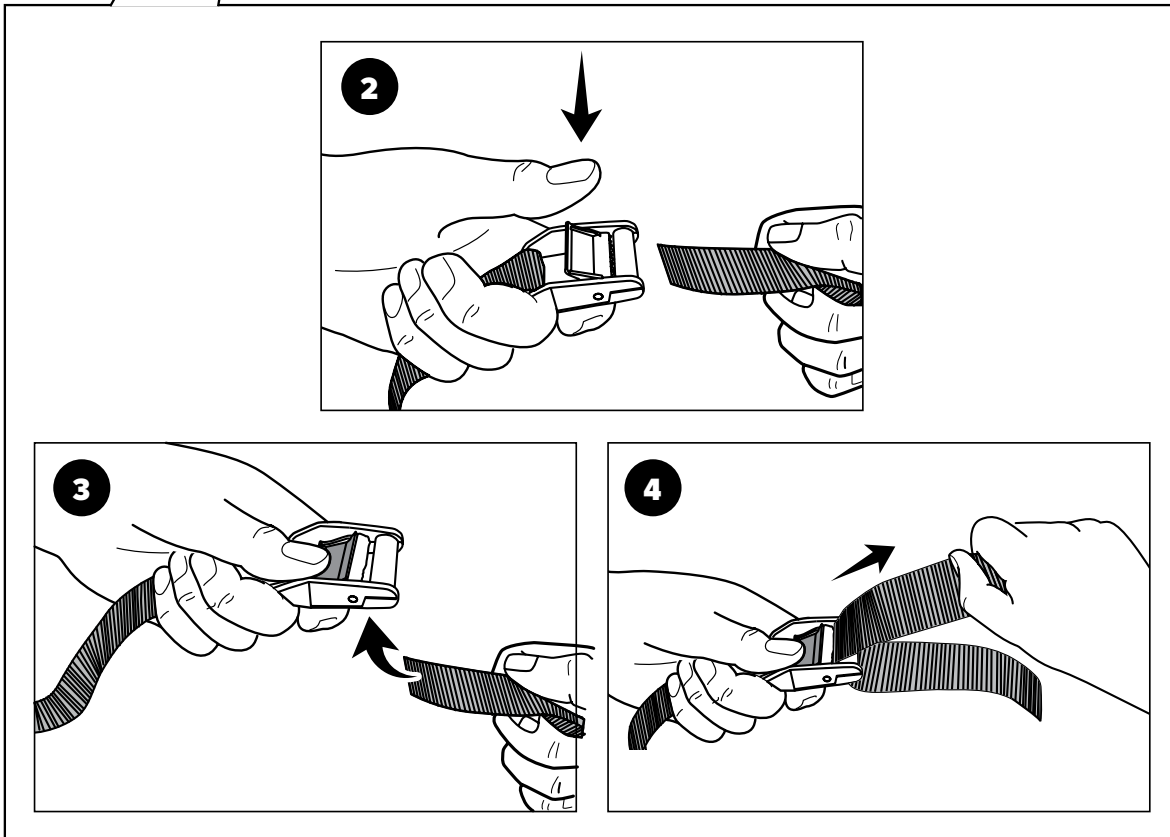
1 Wrap support strap around bike frame(s) and carrier

2 Take strap fastener on one end, and loose strap on the other end to prepare for fastening.

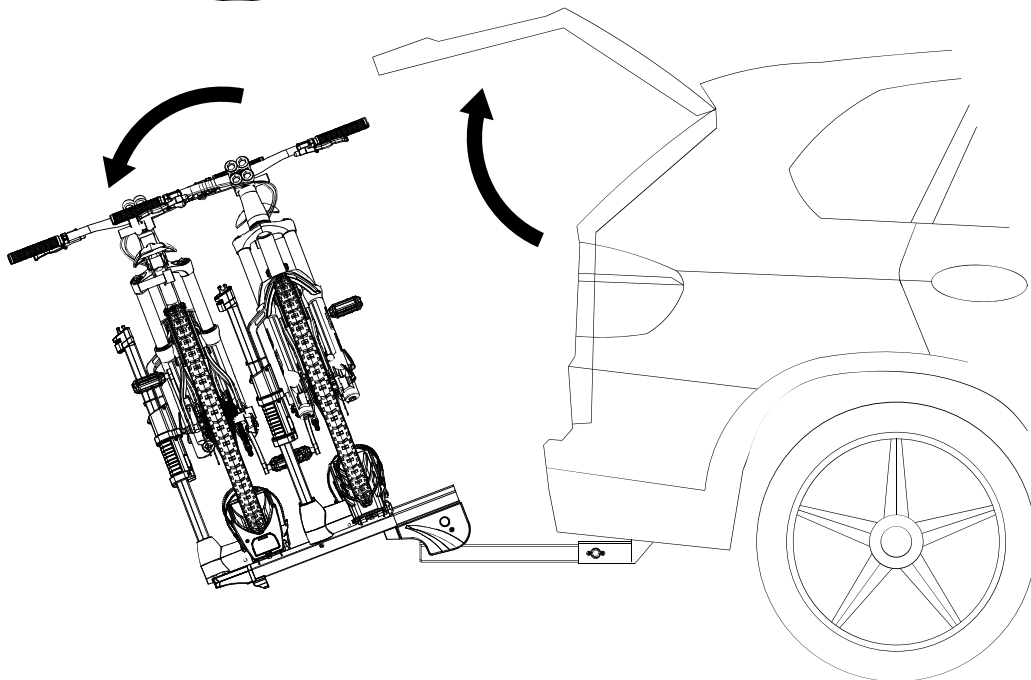
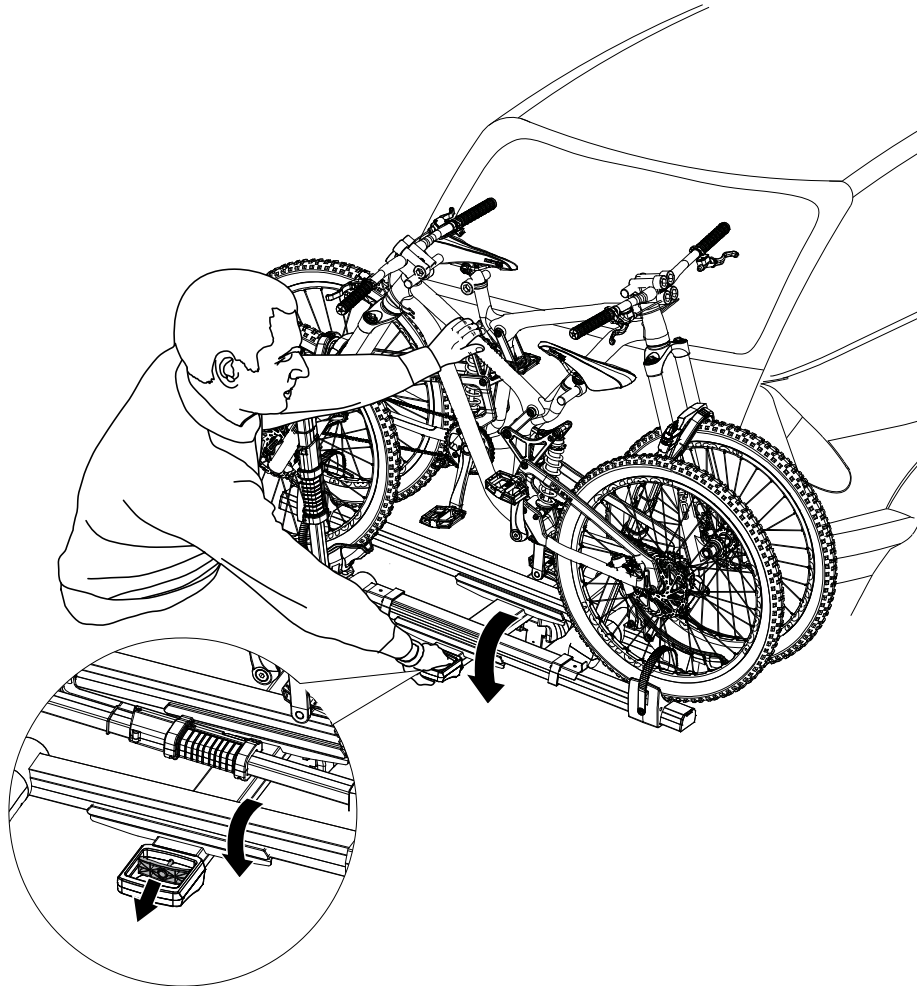
3 Push down on the strap fastener to feed the loose end through the opening of the strap fastener.

4 Pull loose end through the opening while continuing to hold down strap fastener lever to feed smoothly.

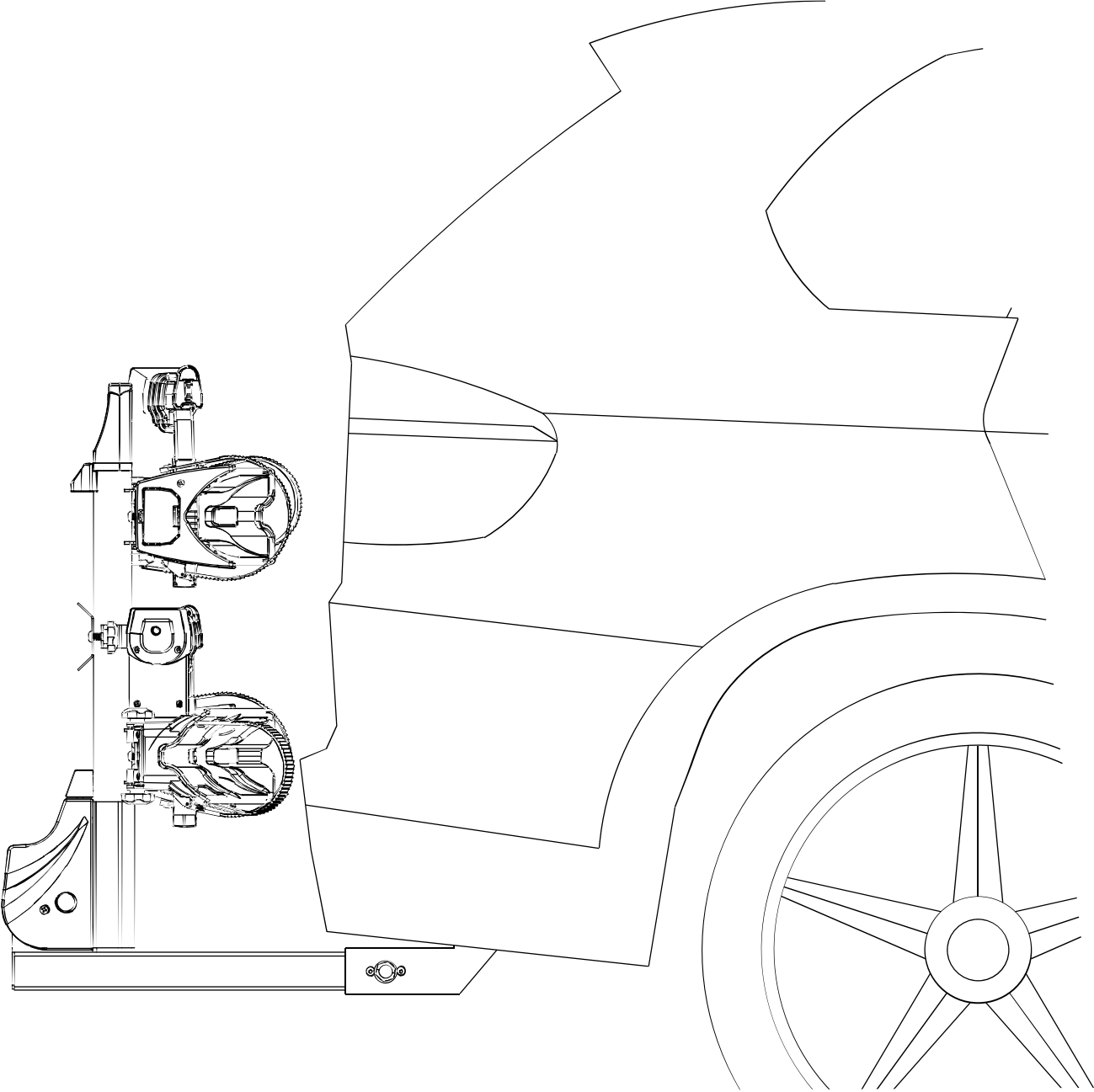
Fasten front wheel tightly, then let go of the strap fastener lever to secure the strap and complete the fastening process.



REAR VEHICLE ACCESS TILTING

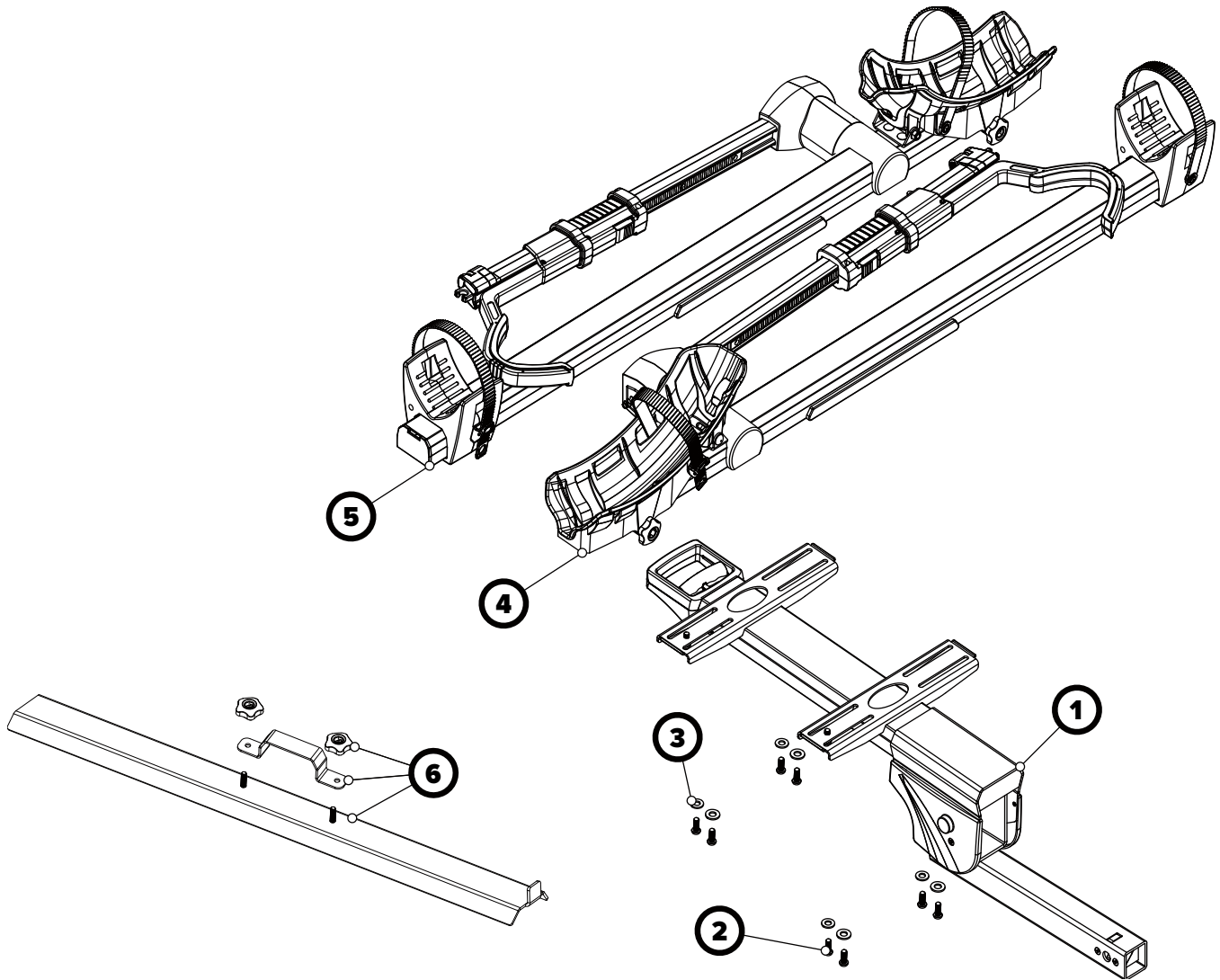


REAR VEHICLE FOLD-UP



SECTION IV • PARTS & SCHEMATICS

SCHEMATICS



Item #	Assembly (as shown in manual)
1	A1, A2, A3, A4, A5, A6
2	B
3	C
4	D1, D3, D4, D5, D6, D7, D8, D9, D10
5	D2, D3, D4, D5, D6, D7, D8, D9, D10
6	D12, D13

PARTS LIST

Part #	Item # (as shown in manual)	Description	Qty
BCR790E01	A1	Base	1
BCLHP100	A2, A3, A4, A5, A6	Hitch Lock	1
BCR790E07	B	M8x20 Screw	8
BCR790E08	C	Ø8 Washer (Large)	8
BCR790E09	D1	Inner Rack	1
BCR790E10	D2	Outer Rack	1
BCR790E11	D3	Front Wheel Cradle	2
BCR790E12	D4	Rear Wheel Cradle	2
BCR790E13	D5	M8x105 Adjustment Handle Base	2
BCR790E14	D6	M8 Adjustment Handle	4
BCR790E15	D7	M8x80 Screw	2
BCR790E16	D8	Ø8 Washer (Small)	2
BCR790E17	D9	M8 Hex Nut	2
BCR790E18	D10	M6x20 Screw	2
BCR790E19	D11	Bike Keys	1
BCR790E20	D12	Ramp Bracket	1
BCR790E21	D13	Ramp	1
BCR790E22	E	Safety Strap	1
BCR790E23	F	S13 Wrench	1
BCR790E24	G	S5 Allen Key	1