

45-0596

Zero-Turn Hitch Kit



WARNING: Engine, muffler, and areas near the engine could be HOT and cause burns. Wait for engine, muffler, and areas close to engine to cool down prior to installation.



WARNING: Avoid injury from unintended vehicle movement! Place vehicle on level surface, set parking brake, disengage PTO, stop engine, and disconnect spark plug prior to installation.

RULES FOR SAFE OPERATION

Remember, any power equipment can cause injury if operated improperly or if the user does not understand how to operate the equipment.

Exercise caution at all times when using power equipment.

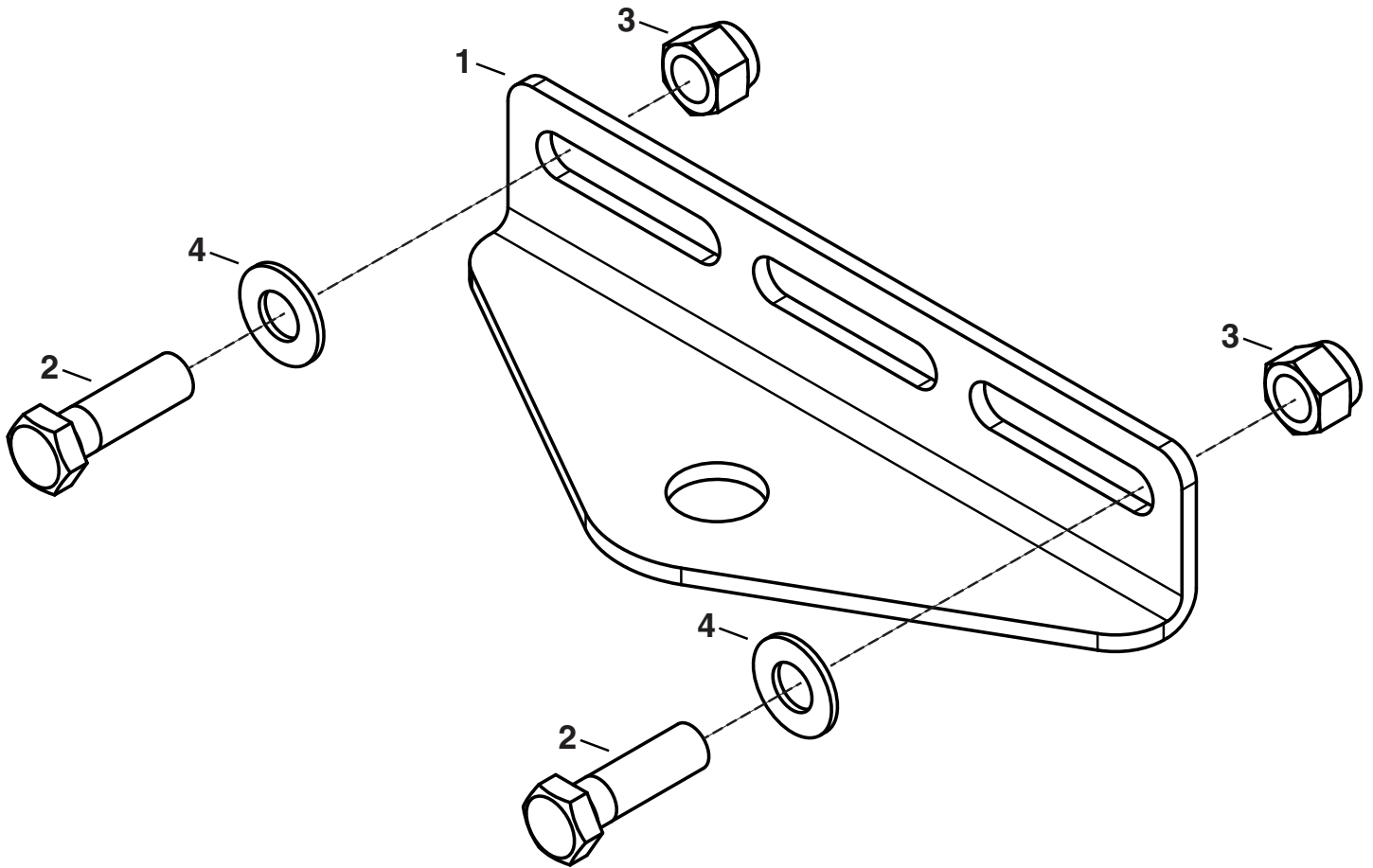
1. Read the vehicle owners manual and vehicle safety rules, and know how to operate the vehicle before using this equipment.

2. Never allow children to operate the tractor or attachments, and do not allow adults to operate without proper instructions.
3. Do not allow anyone to ride or sit on attachments or on towing vehicle.
4. Keep the area of operation clear of all persons, particularly small children, and also pets.
5. The vehicle braking and stability may be affected by towing attachments. Be aware of changing conditions on slopes. Refer to safety rules in the vehicle owner's manual concerning safe operation on slopes. **STAY OFF OF STEEP SLOPES.**
6. This equipment should be operated at reduced speed on rough terrain, along creeks and ditches and on hillsides, to prevent tipping and loss of control. Do not drive too close to a creek or a ditch.
7. Follow vehicle manufacturer recommendation for weight limits of towed attachments.

NOTE: Slots in hitch bracket can accommodate hole spacing between 3" and 6" apart. Drilling may be required to fit different mowers. If slots do not line up with holes in your mower use 2-425BL1 Hitch Bracket as a template to mark where to drill holes on your mower.

45-0596

Zero-Turn Hitch Kit



REF. NO.	PART NO.	QTY.	DESCRIPTION
1	2-425BL1	1	HITCH BRACKET
2	43087	2	BOLT, HEX 3/8-16 X 1-1/4
3	HA21362	2	NUT, HEX 3/8-16 NYLOC
4	R19131316	2	WASHER, .406 X .812 X .062
	3-208	1	OWNERS MANUAL