



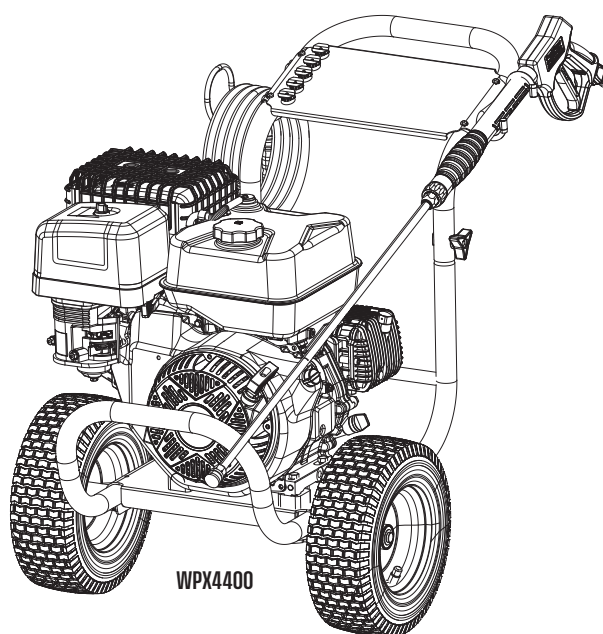
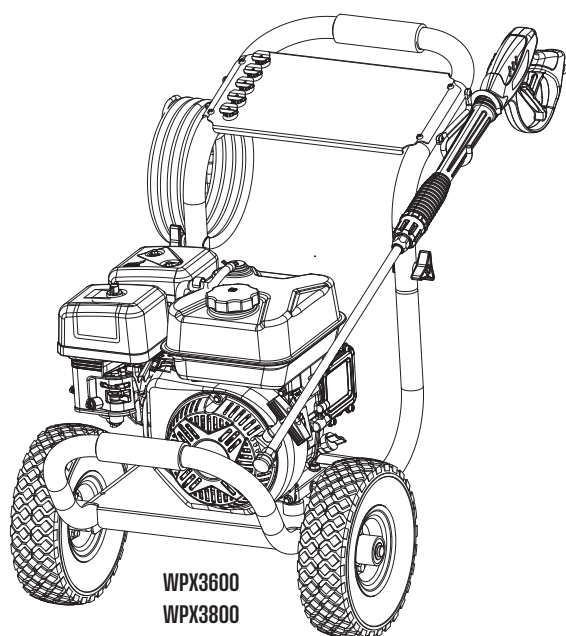
# User Manual

## Products:

WPX3600

WPX3800

WPX4400



**DO NOT RETURN THIS PRODUCT TO THE STORE**

If you have questions or need assistance, please call customer service at 855-944-3571.

# TABLE OF CONTENTS

---

Introduction.....	2-3
Safety .....	4-6
Components .....	7-8
Assembly.....	9-11
Operation.....	12-16
Maintenance .....	16-21
Troubleshooting.....	21-22
Service Hotline/Company Address.....	Back Page

## INTRODUCTION

---

**⚠ WARNING** Operating, servicing, and maintaining this equipment can expose you to chemicals including engine exhaust, carbon monoxide, phthalates, and lead, which are known to the State of California to cause cancer and birth defects or other reproductive harm. To minimize exposure, avoid breathing exhaust, and wear gloves or wash your hands frequently when servicing this equipment. For more information go to [www.P65warnings.ca.gov](http://www.P65warnings.ca.gov).

### DISCLAIMERS

All information, illustrations, and specifications in this manual were in effect at the time of publishing. The illustrations used in this manual are intended as representative reference views only. We reserve the right to make any specification or design change without notice.

### ALL RIGHTS RESERVED

All rights reserved. No reproduction allowed in any form without written permission from Westinghouse Outdoor Power Equipment.

**⚠ DANGER** Read this manual before using or performing maintenance on this product. Failure to follow the instructions and safety precautions in this manual can result in serious injury or death.

### UPDATES

The latest User Manual for your Westinghouse products can be found under our support tab. [\*\*wpowereq.com/pages/manuals\*\*](http://wpowereq.com/pages/manuals)



Or scan the following QR code with your smartphone camera to be directed to the link.





# INTRODUCTION

Specifications	WPX3600	WPX3800	WPX4400
Pressure (psi/bar):	3600/248	3800/262	4400/303
Flow Rate (GPM/LPM):	2.7/10.22	3.6 /13.63	4.2 /15.9
Water Temperature (°F/°C):	104°/40° Max	104°/40° Max	104°/40° Max
Hose Length (ft/m):	35/10.6	35/10.6	50/15.24
Soap Tank Capacity (Gal/L/Oz):	0.8/3/101	0.8/3/101	N/A
Engine Displacement (cc):	212	274	420
Starting Type:	Recoil	Recoil	Recoil
Fuel Capacity (Gal/L):	0.95 gal/3.6L	1.32 gal/5L	1.72 gal/6.5L
Fuel Type:	87–93 octane*	87–93 octane*	87–93 octane*
Oil Capacity (ml):	500ml	700ml	1000ml
Oil Type:	SAE 10W-30	SAE 10W-30	SAE 10W-30
Spark Plug:	F7TC	F7TC	F7TC
Spark Plug Gap:	0.024 – 0.032 in. (0.60 – 0.80 mm)	0.024 – 0.032 in. (0.60 – 0.80 mm)	0.024 – 0.032 in. (0.60 – 0.80 mm)
Nozzles:	0°, 15°, 25°, 40°, Soap	0°, 15°, 25°, 40°, Soap	0°, 15°, 25°, 40°, Soap
Certifications:	EPA CARB	EPA CARB	EPA CARB

\*Ethanol content of 10% or less. DO NOT use E15 or E85.

## PRODUCT REGISTRATION

For trouble-free warranty coverage, it is important to register your Westinghouse product.

### You can register by:

- Completing and mailing the product registration card included in the carton.
- Registering your product on-line at: [wpowereq.com/pages/warranty-registration](http://wpowereq.com/pages/warranty-registration)
- Scanning the above QR code with your smartphone camera to be directed to the mobile registration link.



### For Your Records

Date of Purchase: \_\_\_\_\_  
 Model Number: \_\_\_\_\_  
 Serial Number: \_\_\_\_\_  
 Place of Purchase: \_\_\_\_\_

- Sending the following product information to:

**Westinghouse Outdoor Power**  
 Warranty Registration  
 777 Manor Park Drive  
 Columbus, OH 43228

**IMPORTANT:** Keep your purchase receipt for trouble-free warranty coverage.

### NOTICE

This product is designed and rated for continuous operation at ambient temperatures up to 104°F (40°C). If needed, this product can be operated at temperatures ranging from 5°F (15°C) –122°F (50°C) for short periods. If the product is exposed to temperatures outside of this range during storage, it should be brought back within this range before operation. This product must always be operated outdoors in a well-ventilated area and far away from doors, windows, and other vents.

Maximum power decreases about 3.5% for each 1,000 feet above sea level, and will also decrease about 1% for each 10°F (6°C) above 60°F (16°C) ambient temperature.

### NOTICE

Thank you for choosing Westinghouse! PLEASE READ BEFORE RETURNING THIS PRODUCT FOR ANY REASON.

If you have a question or experience a problem with your Westinghouse purchase, call us at 1-855-944-3571 to speak with an agent.

**SAVE THIS MANUAL FOR FUTURE REFERENCE.**

## HAVE QUESTIONS?

Email us at [service@wpowereq.com](mailto:service@wpowereq.com) or call 1-855-944-3571

# SAFETY

## SAFETY DEFINITIONS

The words DANGER, WARNING, CAUTION, and NOTICE are used throughout this manual to highlight important information. Make sure that the meanings of this safety information is known to all who operate, perform maintenance on, or are near the generator.



**This safety alert symbol appears with most safety statements. It means attention, become alert, your safety is involved! Please read and abide by the message that follows the safety alerts symbol.**

**⚠ DANGER** Indicates a hazardous situation which, if not avoided, will result in death or serious injury.

**⚠ WARNING** Indicates a hazardous situation which, if not avoided, could result in death or serious injury.

**⚠ CAUTION** Indicates a hazardous situation which, if not avoided, could result in minor or moderate injury.

**NOTICE** Indicates a situation which can cause damage to the generator, personal property, and/or the environment, or cause the equipment to operate improperly.

**NOTE:** Indicates a procedure, practice or condition that should be followed for the generator to function in the manner intended.

## SAFETY SYMBOLS

Follow all safety information contained in this user's manual as well as the information on the product labeling.

SYMBOL	DESCRIPTION
	Safety Alert Symbol
	Electrocution Hazard
	Asphyxiation Hazard
	Burn Hazard. Do not touch hot surfaces.
	Electrical Shock Hazard
	Fire Hazard
	Maintain Safe Distance
	Injection Risk. Do not direct water stream at people or pets.
	Kickback. Hold spray gun securely
	Lifting Hazard
	Read Manufacturer's Instructions
	Wear eye and ear protection


**⚠ DANGER** CARBON MONOXIDE – using this product indoors CAN KILL YOU IN MINUTES. Operate this product outdoors only in a well ventilated area.

DO NOT operate the product inside any building, including garages, basements, crawlspaces and sheds, enclosure, or compartment. DO NOT allow exhaust fumes to enter a confined area through windows, doors, vents, or other openings.

# SAFETY

---


## FUEL SAFETY


 **DANGER** Fire and explosion hazard. Gasoline is highly explosive and flammable and can cause severe burns or death.

- In case of a gas fire, do not attempt to extinguish the flame if the fuel tank valve is in the ON position. Introducing an extinguisher to a pressure washer with an open fuel valve could create an explosion hazard.
- Gas has a distinctive odor, this will help detect potential leaks quickly.
- Gas vapors can cause a fire if ignited.
- Gasoline is a skin irritant and needs to be cleaned up immediately if it comes in contact with the skin.
- Gasoline and gasoline vapors are extremely flammable and explosive under certain conditions.
- ALWAYS refuel the pressure washer outdoors, in a well-ventilated area.
- NEVER remove the fuel cap with the engine running.
- NEVER refuel the pressure washer while the engine is running. Always turn the engine off and allow the pressure washer to cool for at least two minutes before refueling.
- Only fill fuel tank with gasoline.
- Keep sparks, open flames or other form of ignition (such as match, cigarette, static electric source) away when refueling.
- NEVER overfill the fuel tank. Leave room for fuel to expand. Overfilling the fuel tank can result in a sudden overflow of gasoline and result in spilled gasoline coming in contact with HOT surfaces.
- Spilled fuel can ignite. If fuel is spilled on the pressure washer, wipe up any spills immediately. Dispose of rag properly. Allow area of spilled fuel to dry before operating the pressure washer.
- Wear eye protection while refueling.
- NEVER use gasoline as a cleaning agent.
- Store any containers containing gasoline in a well-ventilated area, away from any combustibles or source of ignition.
- Check for fuel leaks after refueling.
- Never operate the engine if a fuel leak is discovered.
- Store fuel in a container approved for gasoline.
- Do not smoke when filling the pressure washer with gasoline.
- Do not allow the gas tank to overflow when filling.
- Shut down the engine and allow it to cool for two minutes before adding gasoline or oil to the pressure washer.
- Wipe spilled fuel from the unit.
- Never attempt to burn off spilled fuel.
- Store any containers containing gasoline in a well-ventilated area, away from any combustibles or source of ignition.

## GENERAL SAFETY PRECAUTIONS

- Do not operate when you are tired or under the influence of drugs, alcohol, or medication.
- Always wear safety goggles or safety glasses with side shields, and as necessary a full face shield as well as full ear protection when operating this product.
- If you begin to feel sick, dizzy, or weak while using the pressure washer, move to fresh air IMMEDIATELY. See a doctor, as you can have carbon monoxide poisoning.
- Only use OUTSIDE and far away from windows, doors, and vents as recommended by the US Department of Health and Human Services Centers for Disease Control and Prevention. Your specific home and/or wind conditions may require additional distance.
- While operating and storing, keep at least five feet of clearance on all sides of pressure washer, including overhead. Allow the pressure washer to cool a minimum of 30 minutes before storage. Heat created by the muffler and exhaust gases could be hot enough to cause serious burns and/or ignite combustible objects.
- Do not touch the muffler or engine. They are very HOT and will cause severe burns. Do not put body parts or any flammable or combustible materials in the direct path of the exhaust.
- Always remove any tools or other service equipment used during maintenance away from the unit before operating.
- Avoid skin contact with engine oil or gasoline. Wear protective clothing and equipment. Wash all exposed skin with soap and water.

 **DANGER** Risk of injection or injury. High pressure jets can be dangerous if subject to misuse. DO NOT direct discharge stream at persons, animals, electrical devices, or the machine itself. ALWAYS point spray gun in safe direction. Every time you stop the engine, depress the spray gun trigger to relieve pressure.

 **DANGER** NEVER spray flammable liquids or use pressure washer in areas containing combustible dust, liquids, or vapor. NEVER operate this machine in a closed building or in or near an explosive environment.

- The wheels are only intended for hand transport. The wheels are not suitable for towing the pressure washer either on or off-road.

# SAFETY

---



## **WARNING**

Contact with electrical power source can cause electric shock or burn. NEVER spray in the direction of or near a power source/electrical outlet.

- NEVER disconnect the high pressure discharge hose from the machine while the system is pressurized.
- DO NOT let water in the pump freeze. See Storage section in the manual for instructions regarding winter storage.
- If water has frozen in the pressure washer, thaw the pressure washer in a warm room before starting.
- Use the pressure washer only for intended uses.
- Operate only on level surfaces.
- DO NOT expose pressure washer to excessive moisture, dust, or dirt.
- DO NOT allow any material to block the cooling slots.
- DO NOT use the pressure washer if the unit sparks, smokes, emits flames, or vibrates excessively.

When starting the pressure washer:

- NEVER run the unit dry. Be sure the water supply is completely turned on before operating the unit.
- DO NOT pour hot water on or into the pump; internal parts will be damaged and your warranty will be voided. ONLY use cold water.
- Use only on a level surface.
- Make sure there is proper drainage to dissipate water.
- Make sure that the fuel cap, air filter, spark plug, fuel lines, and exhaust system are properly in place.
- If you spill any gasoline on the tank, allow it to fully evaporate before operating.

When transporting or servicing the pressure washer:

- Disconnect the spark boot to prevent accidental starting.

When storing the pressure washer:

- Store away from sparks, open flames, pilot lights, heat, and other sources of ignition.
- Do not store gasoline near furnaces, water heaters, or any other appliances that produce heat or have automatic ignitions.

## **NOTICE**

Water under high pressure can damage fragile surfaces. ALWAYS practice on a inconspicuous test area to understand when damage may occur.



## **WARNING**

Use of pressure washers can create wet walking surfaces. While using a pressure washer, forces from the gun can cause you to lose footing and fall.



## **WARNING**

High pressure spray can splash back at operator or propel objects.

- NEVER allow children to operate any pressure washer or play nearby.
- NEVER leave spray gun unattended while machine is running or until after engine has been turned off and pressure has been relieved from the spray gun.
- NEVER repair high pressure hose, replace it.
- NEVER repair leaking connections with sealant, replace damaged O-rings.
- NEVER use spray gun with a damaged or altered trigger lock.
- NEVER: secure the trigger in the open / spray position.
- ALWAYS keep high pressure hose connected to spray gun and pump while in use.
- ALWAYS make sure that the spray gun nozzle is properly attached to the lance.
- ALWAYS wear safety goggles when operating this equipment. Safety goggles cover the sides, top and bottom of the eyes. Don't confuse safety glasses for goggles.
- Use only on a level surface.
- DO NOT use on elevated surface where kickback could result in a serious fall.
- ALWAYS grasp the gun with two hands to prevent potential injury do to the high pressure from the gun.

# COMPONENTS

---

## UNDERSTANDING YOUR PRESSURE WASHER

*See Figure 1.*

To reduce the risk of injury and product failure, read and understand the information in this user's manual as well as the information on the product labeling.

### SPRAY GUN

Use the spray gun and lance to control and direct the stream of water.

### THERMAL RELIEF VALVE

When water reaches 125°F warm water will discharge from pump onto ground to help prevent internal pump damage.

### RECOIL STARTER

Pull to start engine.

### OIL DIPSTICK

Unscrew the oil dipstick to check oil levels and add oil when needed.

### PUMP

Generates high pressure.

### HANDLE

Use the handle when transporting the unit.

### HIGH PRESSURE HOSE

The high pressure hose included with this unit is light weight, flexible, and durable. When not in use, the hose can be stored on the hose retainer.

### HIGH PRESSURE OUTLET

Connection for high pressure hose.

### WATER INLET

Connection for garden hose.

### FUEL TANK

Fill with regular unleaded fuel. Do not overfill.

### FUEL ON/OFF SWITCH

Turns fuel supply to the engine on and off.

### CHOKE

Prepares a cold engine for starting.

### NOZZLES

Nozzles of varying sizes are included with this unit and can be used for different cleaning applications.

### DETERGENT TANK (WPX3600 and WPX3800 only)

Siphons detergent into the low pressure stream and automatically turns on when using the black soap nozzle. Only use with pressure washer safe detergent.

### OIL DRAIN PLUG

Used to drain engine oil.

### ENGINE ON/OFF SWITCH

Turn switch to the ON position before using the recoil starter. Turn to the OFF position to stop the engine.

### DETERGENT HOSE CONNECTION BARB

Connects detergent tank to pump.

### NOZZLE CLEANING TOOL

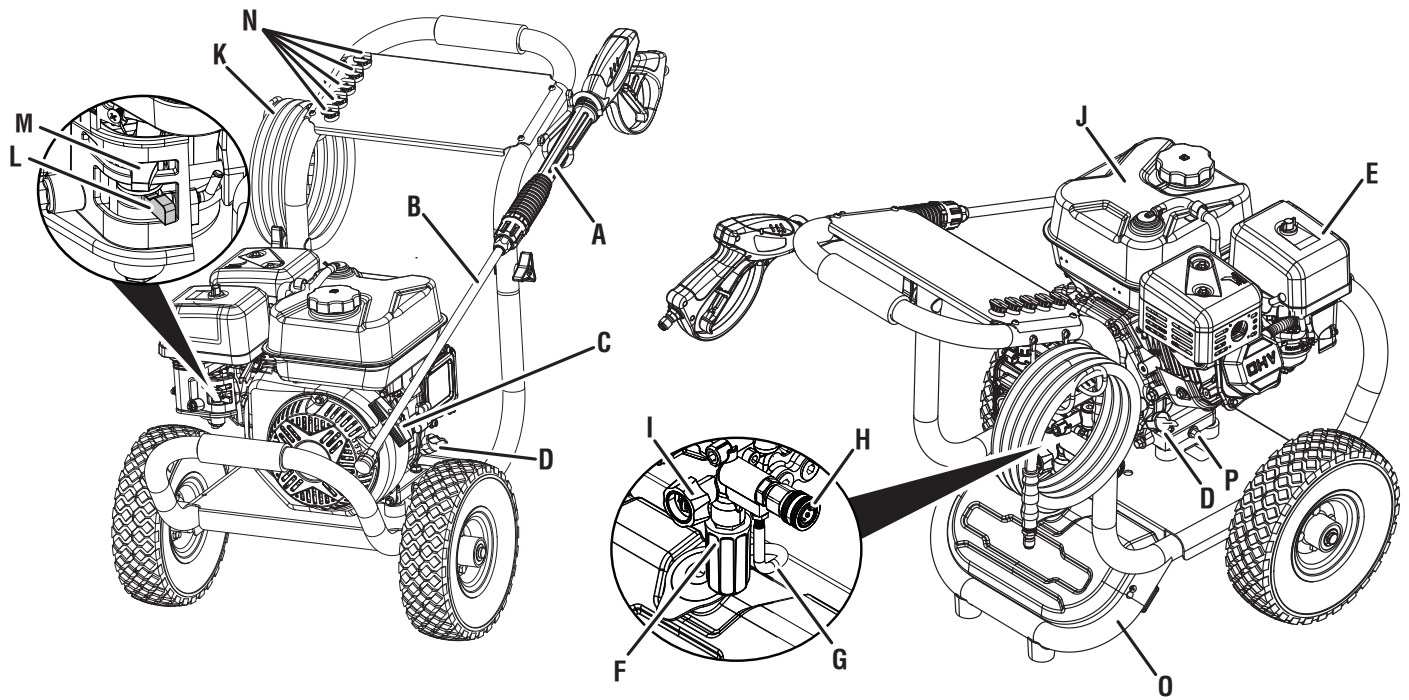
Used to clean nozzles.



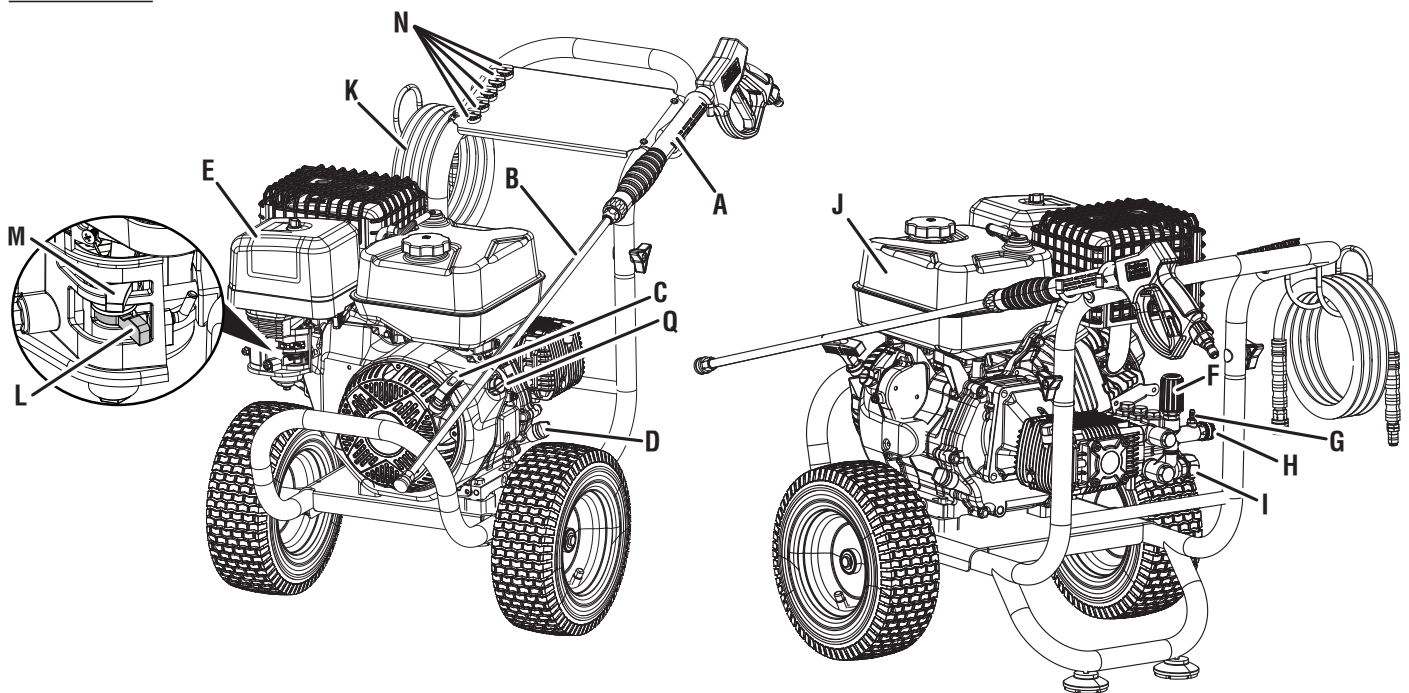
# COMPONENTS

FIG. 1

**WPX3600 and WPX3800**



**WPX4400**



- A - Spray Gun
- B - Gun Lance
- C - Recoil Starter
- D - Oil Dipstick/Filler Neck
- E - Air Filter
- F - Pump

- G - Detergent Hose Connection Barb
- H - High Pressure Outlet
- I - Water Inlet
- J - Fuel Tank
- K - High Pressure Hose
- L - Fuel On/Off Switch

- M - Choke
- N - Nozzles
- O - Detergent Tank (WPX3600/WPX3800)
- P - Oil Drain Plug
- Q - Engine On/Off Switch

# ASSEMBLY

## CARTON CONTENTS

**CAUTION** Weight hazard. Always have assistance when lifting the pressure washer.

- Carefully open the carton.
- Remove and save the carton contents.
- Remove and discard the packing tray.
- Unfold the top of the plastic bag enclosing the pressure washer.
- Carefully cut the vertical corners of the carton.
- Recycle or dispose of the packaging materials properly.

## CARTON CONTENTS

Item	Quantity
• User manual	1
• Quick Start Guide	1
• Bottle 10W-30 oil	1
• Bottle funnel tip	1
• Spray gun	1
• Spray gun lance	1
• Handle	1
• High pressure hose	1
• Mounting foot	1
• Nozzle cleaning tool	1
• Spray nozzles	5
• Nut, M8	1
• Spray gun upper holder	1
• Push rivet	1
• Spray gun lower holder	1
• Bolt and nut, M6	1
• Washers	2
• Pump oil dipstick	1

If any parts are missing, contact our service team at [service@wpowereq.com](mailto:service@wpowereq.com) or call 1-855-944-3571.

## INSTALL HANDLE

See Figure 2.

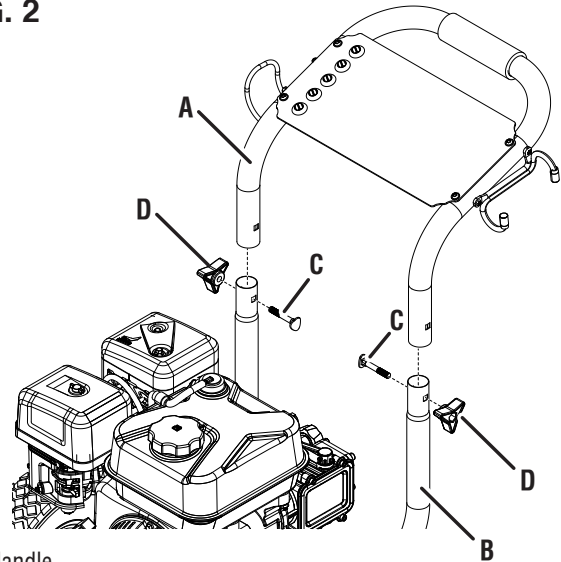
- The handle is shipped in the storage position. Before using, move the handle to the operating position.
- Turn the handle so it is facing away from the pressure washer. Install on the lower frame.
- Insert the bolt through the frame and secure with the handle knob.

## CONNECT HANDLE BRACKETS

See Figure 3.

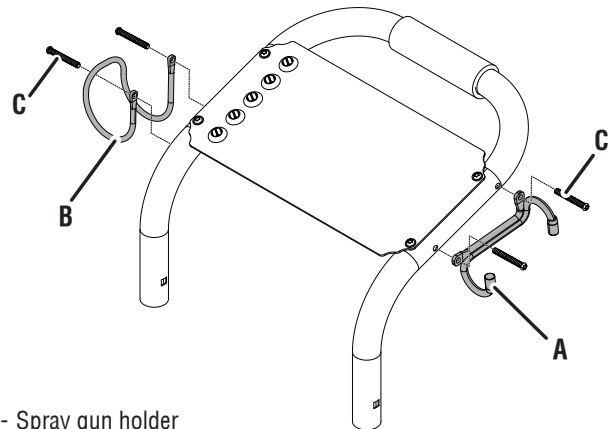
Connect the spray gun holder and the high pressure hose-holder on the handle using a wrench and the supplied bolts.

FIG. 2



- A - Handle
- B - Lower Frame
- C - Bolt
- D - Handle Knob

FIG. 3



- A - Spray gun holder
- B - High pressure hose holder
- C - Bolts



# ASSEMBLY

## INSTALL THE UPPER GUN HOLDER

See Figure 4.

From the front of the unit, remove top-right bolt, washers, and nut. Reinstall with the upper spray gun holder. From the rear of the unit, install the push rivet as shown.

## INSERT NOZZLES

See Figure 4.

Insert the colored nozzles into the corresponding holders on the top of the pressure washer (WPX3600 shown). Place the trigger handle and hose in their designated storage brackets.

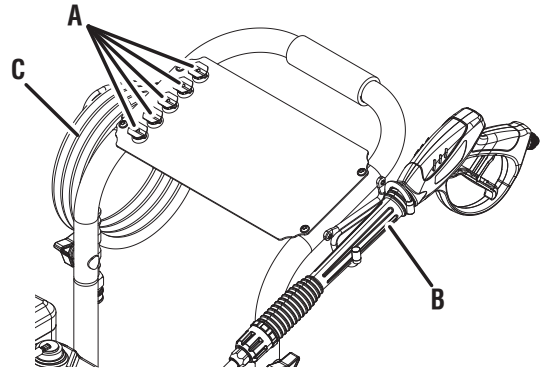
## INSTALL THE PUMP DIPSTICK

See Figure 5.

This pressure washer ships with a temporary oil cap on the pump and should be removed and replaced with the pump dipstick. The oil level should be sufficient from the factory and appear at the level of the red dot on the sight glass.

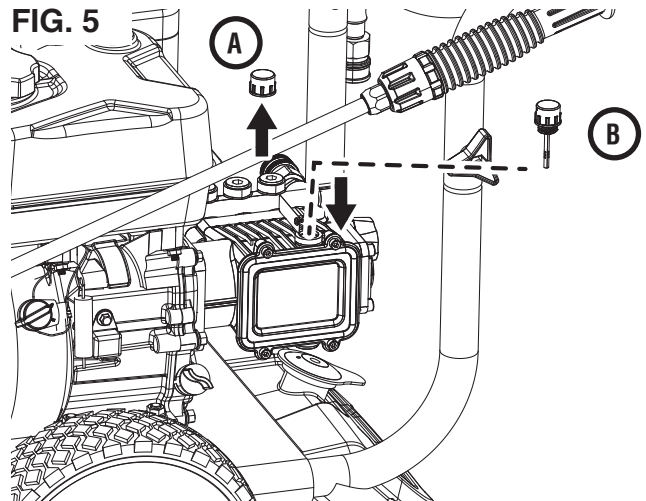
- Be sure the pressure washer is on a stable, level surface.
- Locate the pump dipstick in the loose parts.
- Locate the temporary cap on the pump.
- Loosen and remove the temporary cap and discard.
- Insert the pump dipstick into the pump. Be careful not to cross-thread. Do not overtighten.

FIG. 4



- A - Nozzle holders
- B - Trigger handle
- C - Hose

FIG. 5



- A - Temporary oil cap
- B - Pump dipstick

# OPERATION

## CONNECTING THE LANCE TO THE SPRAY GUN

See Figure 6.

- Push the lance into the spray gun and turn clockwise to tighten. Do not overtighten.
- Gently pull on the lance to be certain it is secured.

## CONNECTING THE HIGH PRESSURE HOSE TO THE SPRAY GUN

See Figure 7.

- Pull the collar on the high pressure hose back and push the hose fitting firmly onto the spray gun.
- Screw the collar onto the spray gun and tighten securely.  
**NOTE:** Be careful not to damage the threads on the spray gun doing so could cause the gun to leak during use.
- Gently pull on the hose to be certain it is secured.

## CONNECTING THE HIGH PRESSURE HOSE TO THE PRESSURE WASHER

See Figure 8.

- Uncoil and straighten the high pressure hose to remove any bends or kinks.
- Pull the collar on the high pressure hose back and push the hose fitting firmly into the threaded outlet on the pressure washer.
- Screw the collar onto the outlet and tighten securely.  
**NOTE:** Be careful not to damage the threads on the outlet doing so could cause the unit to leak during use.
- Gently pull on the hose to be certain it is secured.

## CONNECTING A GARDEN HOSE TO THE PRESSURE WASHER

See Figure 9.

**NOTICE** Follow local regulations and ordinances when connecting your pressure washer to a water supply. Some jurisdictions may prohibit you from connecting directly to public drinking water in order to prevent the possibility of chemicals feeding back into the system. Connections made through a backflow preventer or receiver tank are generally permitted.

**NOTICE** The water used in this device must come from a water main. **DO NOT** use this device with water from a lake, pool, pond, etc. **NEVER** use hot water with this product.

- Turn the water faucet completely off.
- Uncoil and straighten the garden hose to remove any bends or kinks.
- Flush water through the hose for several seconds to remove debris and then turn the faucet off again.

FIG. 6

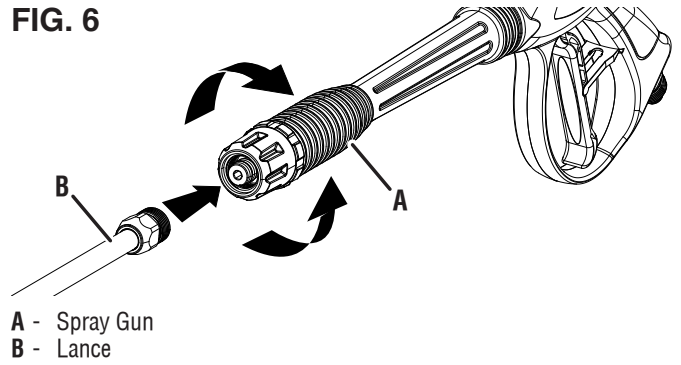


FIG. 7

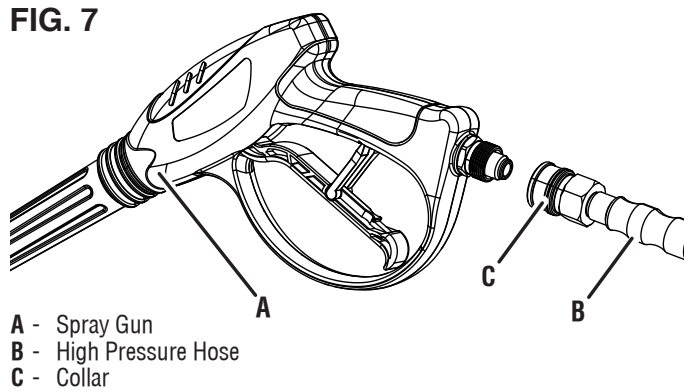
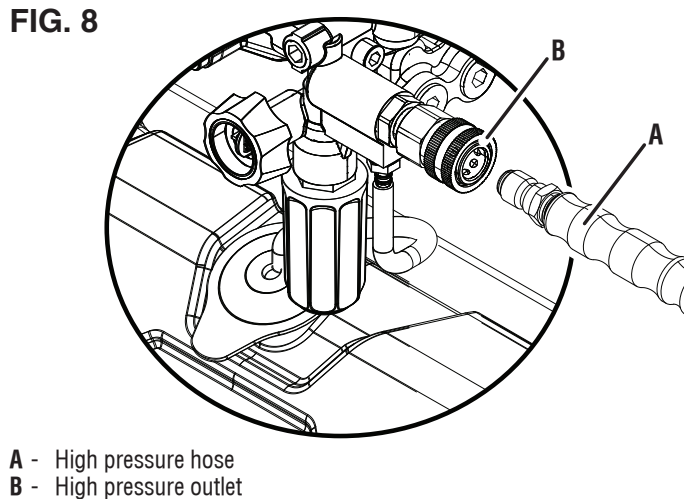


FIG. 8



# OPERATION

- Inspect the screen inside the water inlet for damage or clogs. Clean or replace as needed. **NEVER** connect a garden hose without the screen in place.
- Insert the garden hose into the water inlet.
- Thread the collar on the inlet onto the garden hose. Tighten securely.

**NOTICE** ALWAYS turn the water supply “ON” before turning the pressure washer power to “ON”. Running the pump dry of water will cause damage to the internal components and render the pressure washer inoperable.

## OVERVIEW

This pressure washer can produce very high levels of water pressure and can be used for a variety cleaning applications such as cleaning decks and walkways, washing vehicles and equipment; and removing dirt from home exteriors and fences.

## ADDING OIL / CHECKING OIL

See Figure 10.

**NOTICE** THIS UNIT HAS BEEN SHIPPED WITHOUT OIL. Do not attempt to crank or start engine before it has been properly serviced with recommended oil. Failure to add engine oil before starting will result in serious engine damage.

**NOTICE** Use of 2-stroke/cycle oil or other unapproved oil types can cause severe engine damage that is not covered under warranty.

The included, recommended oil type for typical use is 10W-30 engine oil. If running the pressure washer in extreme temperatures, refer to the following chart.

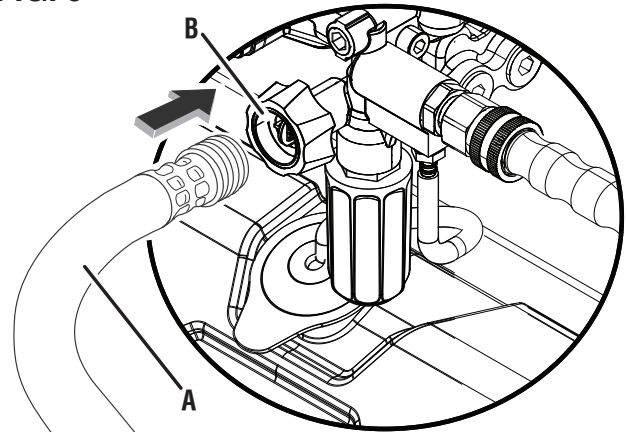
Recommended Engine Oil Type								
		10W-30						
5W-30						10W-40		
5W-30 Synthetic								
°F	-20	0	20	40	60	80	100	120
°C	-28.9	-17.8	-6.7	4.4	15.6	26.7	37.8	48.9
Ambient temperature								

- On a level surface, remove the oil dipstick.
 

**NOTE:** There is an oil dipstick/filler neck on both sides of the unit. Either can be used to check or add oil.
- Using the supplied oil and funnel tip, add oil into oil filler neck.
 

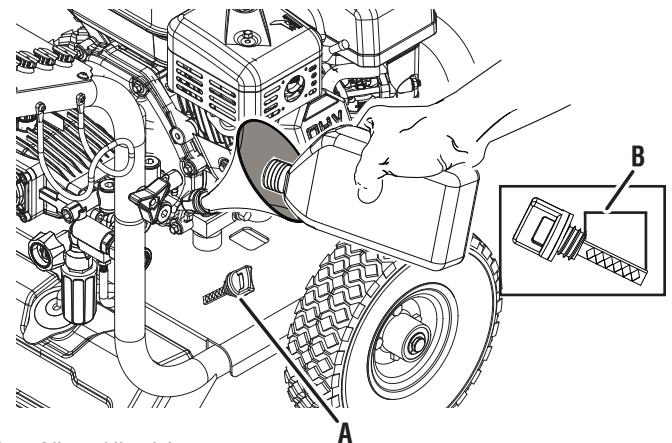
**NOTE:** As residual oil from the factory may remain in the engine, add the oil incrementally to prevent overfilling the engine. See Engine Oil Level Check in the Maintenance section.
- Replace the oil dipstick and hand-tighten.

FIG. 9



A - Garden hose  
B - Water inlet

FIG. 10



A - Oil cap/dipstick  
B - Hatched area

# OPERATION

## GASOLINE REQUIREMENTS

**NOTICE** Do not use E15 or E85 fuel in this product. Engine or equipment damage caused by stale fuel or the use of unapproved fuels (such as E15 or E85 ethanol blends) is not covered by warranty. Only use unleaded gasoline containing up to 10% ethanol.



- ALWAYS use CLEAN, FRESH, unleaded gasoline (87–93 octane) in this unit. NEVER use OLD, STALE, or CONTAMINATED gasoline.
- Up to 10% ethanol (gasohol) is acceptable (where available; non-ethanol fuel is recommended).
- DO NOT use E85 or E15.
- DO NOT use a gas oil mix.
- DO NOT modify the engine to run on alternate fuels.
- DO NOT fuel indoors.
- DO NOT create a spark or flame while fueling.

## USING FUEL STABILIZER

Adding a fuel stabilizer (not included) extends the usable life of fuel and helps prevent deposits from forming that can clog the fuel system. Follow the manufacturer's instructions for use.

Always mix the correct amount of fuel stabilizer to gasoline in an approved gasoline container before fueling the pressure washer. Run the pressure washer for two minutes to allow the stabilizer to treat the entire fuel system.

## ADDING GASOLINE

See Figures 11 - 12.

**⚠ DANGER** Fire and explosion hazard. Do not overfill fuel tank. Fill only to the bottom of the filler neck. Overfilling may cause fuel to spill onto engine causing a fire or explosion hazard.

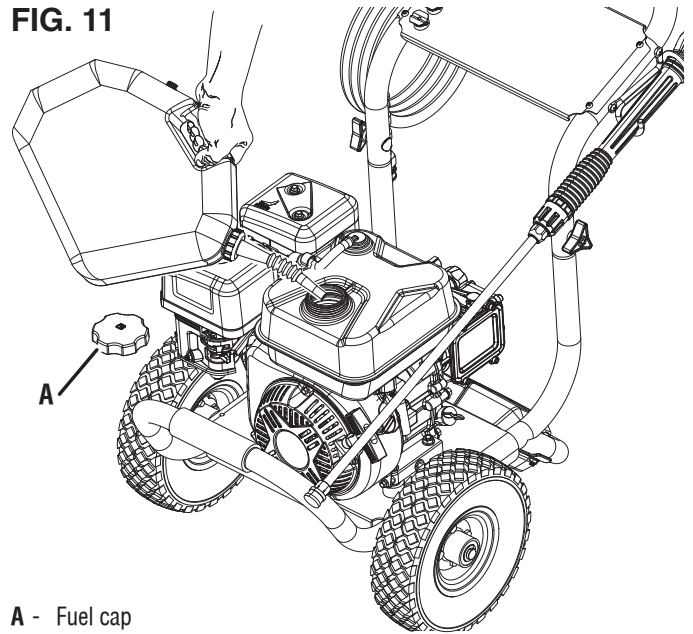
**⚠ DANGER** Fire and explosion hazard. Never refuel the pressure washer while the engine is running. Always turn the engine off and allow the pressure washer to cool for two minutes before refueling.

**⚠ WARNING** Fire and explosion hazard. Never use a gasoline container, gasoline tank, or any other fuel item that is broken, cut, torn or damaged.

**NOTICE** Only fill the tank from an approved gasoline container. Make sure the gasoline container is internally clean and in good condition to prevent fuel system contamination.

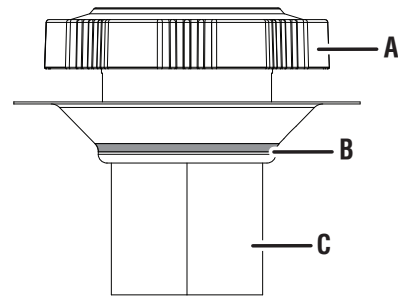
- Turn the pressure washer OFF and allow to cool for a minimum of two minutes before fueling.

FIG. 11



A - Fuel cap

FIG. 12



A - Fuel cap  
B - Screen filter  
C - Maximum fuel level

- Place the pressure washer on level ground in a well ventilated area.
- Clean area around fuel cap and remove the cap slowly.
- Slowly add the recommended fuel. Do not overfill. Fill only to the top of the fuel screen filter visible in the filler neck.
- Install the fuel cap and tighten until a click is heard.

**NOTICE** Fuel can damage paint and plastic. Use caution when filling the fuel tank. Damage caused by spilled fuel is not covered under warranty.

**NOTICE** Clean the fuel screen filter of debris before and after each fueling. Remove the fuel screen filter by slightly compressing it while removing it from the fuel tank.



# OPERATION

## PRESSURE WASHER LOCATION

**⚠ DANGER** Asphyxiation hazard. Never operate the pressure washer in an enclosed area. Engine exhaust contains carbon monoxide that can kill in minutes. Only operate the pressure washer outside and away from windows, doors and vents. Place the pressure washer in a well-ventilated area. DO NOT place the pressure washer near vents or intakes where exhaust fumes could be drawn into occupied or confined spaces. Carefully consider wind and air currents when positioning the pressure washer.

This pressure washer must have at least 5ft. (1.5m) of clearance from combustible material. Leave at least 3 ft. (0.91 m) of clearance on all sides of the pressure washer to allow for adequate cooling, maintenance, and servicing.

## BEFORE STARTING THE ENGINE

Verify that:

- The pressure washer is placed in an appropriate location.
- The unit is on a dry, flat, and level surface.
- The engine is filled with oil.

## STARTING THE ENGINE

See Figures 13 - 15.

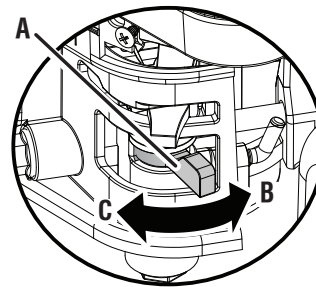
**⚠ WARNING** Always wear safety goggles or safety glasses with side shields, and as necessary a full face shield as well as full ear protection when operating this product.

**NOTICE** Running the unit for more than one minute without spraying water causes heat to build up in the pump. In the event that the pump gets too hot, a thermal relief valve will open to release the hot water. Running the unit without spraying water can damage pump components and will void the warranty.

- Turn the water supply ON.
- Pull the trigger on the spray gun to purge all air from the pump and hose. This may take several minutes.
- Do not start the engine until a steady stream of water is flowing from the nozzle.
- Turn the engine switch to the ON position.
- Turn the fuel valve to the ON position.
- If the engine is cold, move the choke lever to the CHOKE position.
- Pull the starter cord slowly until resistance is felt and then pull rapidly.

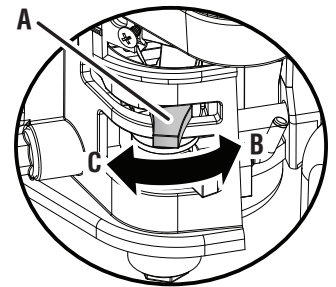
**NOTE:** If the engine starts briefly and then shuts off, squeeze the trigger on the spray gun to relieve the pressure before trying to start the engine again.

FIG. 13



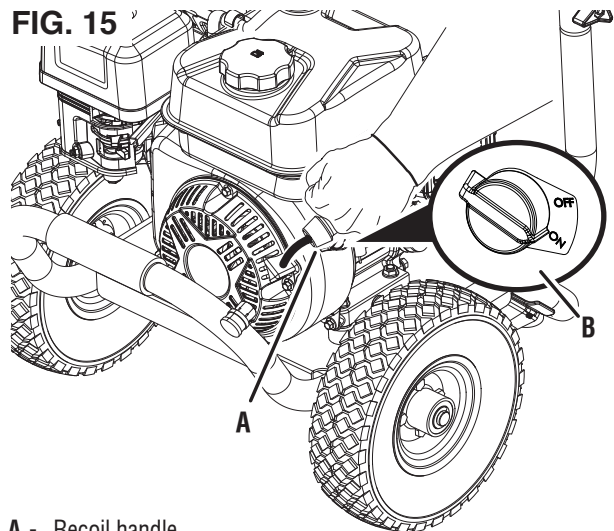
A - Fuel lever  
B - On  
C - Off

FIG. 14



A - Choke  
B - Run  
C - Start

FIG. 15



A - Recoil handle  
B - On/off switch

- Once the engine starts, move the choke lever to the RUN position. Allow the engine to warm up slightly before use.

## STOPPING THE PRESSURE WASHER

During normal operation, use the following steps to stop the pressure washer:

- Engage the spray gun trigger lock in the safe position.
- Move the engine OFF/ON switch to the OFF position.
- Close the fuel valve.
- Turn the water supply OFF.
- Disengage the trigger lock and depress the trigger for 15 seconds to depressurize the system.
- Disconnect the garden hose from the water inlet.
- Complete all steps in the AFTER EACH USE section of this manual.

## DURING AN EMERGENCY

If there is an emergency and the pressure washer must be stopped quickly, push the engine control switch to OFF position immediately.

# OPERATION

## USING THE SPRAY GUN

See Figure 16.

**⚠ WARNING** Hold the spray gun and lance with two hands (one hand to pull the trigger and the other to stabilize the gun) until you get used to the “recoil”. Do not lose control of the spray gun doing so could result in injury to yourself and others.

- Start the pressure washer.
- Release the safety lock by pushing it down into the slot in the trigger.
- Squeeze and hold the trigger to start the flow of water.
- Release the trigger to stop the flow of water.
- Lock the trigger by pushing it up to its original position.

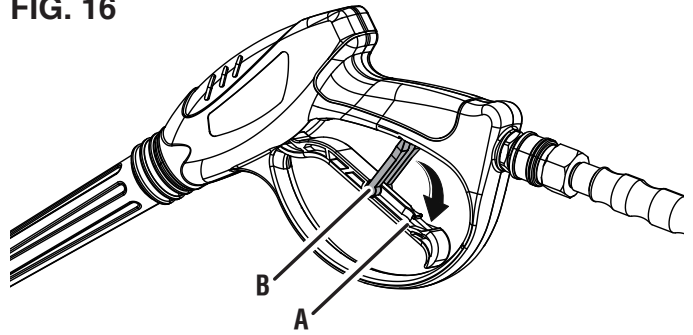
**NOTE:** Squeeze the trigger to make sure its locked and will not move. ALWAYS keep the spray gun locked when it's not in use.

## SELECTING NOZZLES

The quick-connect coupler on the spray lance allows changing between nozzles while the pressure washer is running.

**⚠ WARNING** Always engage the trigger lock before changing a nozzle.

FIG. 16



A - Trigger  
B - Safety Lock

**NOTICE** Only use the nozzles that were supplied with the pressure washers. Using any other nozzles can affect performance and may void the warranty. For replacement nozzles call (855) 944-3571.

## CHANGING THE NOZZLE

See Figure 17.

Pull back the quick-connect collar at the end of the spray lance. Insert the nozzle then release the collar. Pull on the nozzle to make sure it is secured.

NOZZLE SELECTION					
	HIGH PRESSURE WASH				LOW PRESSURE WASH
	RED 0°	YELLOW 15°	GREEN 25°	WHITE 40°	SOAP
Concrete, Brick, Masonry	!	!	✓	✓	✓
Siding, Gutters, Home	X	!	!	✓	✓
Fencing, Deck, Patio	X	!	!	✓	✓
Lawn and Garden Equipment, Boats, RVs	X	!	!	✓	✓

✓ Recommended nozzle ! Use with caution X Do not use

# OPERATION

## SPRAYING TIPS

For most cleaning, keep nozzle 8 - 24 in. (20 - 61 cm) away from cleaning surface.

- Damage may occur to the cleaning surface if you spray too close, especially with high-pressure nozzles.
- When beginning to spray, start farther away and move closer to avoid damage to the surface.
- To prevent damage to tires, allow at least 6 in. (15 cm) between a tire and the nozzle.

## DETERGENT USE

See Figure 18.

The use of detergents can dramatically reduce cleaning time and assist in the removal of difficult stains. Many detergents are customized for pressure washer use for specific cleaning tasks. When spraying detergent, the detergent will be diluted 1:12. Approximately 621 ml (21 oz.) of detergent will be consumed from the tank for every minute sprayed.

### NOTICE

Only use detergents designed for pressure washers. Pressure washer detergents are as thick as water. Using thicker detergents, like dish soap, will clog the chemical injection system. Do not use household detergents, acids, alkalines, bleaches, solvents, flammable material, or industrial grade solutions, which can damage the pump or cause property damage.

Prepare cleaning solution as instructed on the solution bottle. Always test in an inconspicuous area before beginning. You can effectively clean surfaces by combining the chemical action of detergents with high pressure rinses. On vertical surfaces, apply the detergent starting at the bottom and work your way upward. This method prevents the detergent from sliding down and causing streaks. Begin high pressure rinsing at the bottom and work your way upward. On particularly tough stains, use a brush in combination with detergents and high pressure rinsing.

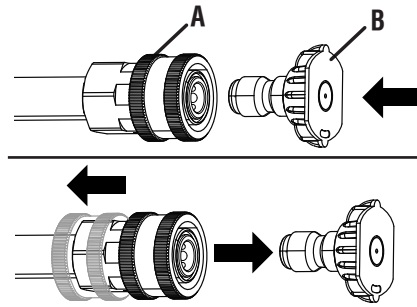
- For WPX3600 and WPX3800, fill the detergent tank with cleaning solution.
- For WPX4400, attach the siphon hose to the connector on the pressure washer. Insert the siphon hose into the bottle of cleaning solution.
- Install the detergent nozzle (black) in the spray lance. Detergent will only be drawn through the pump when the black detergent nozzle is attached to the end of the spray lance.
- Make sure the water supply is ON. Start the engine. Pull the trigger to spray the detergent solution.

### NOTICE

NEVER use bleach in detergent tank. It will damage the pump and void the warranty.

- Use long, even overlapping strokes to apply soap. Allow 3 to 5 minutes for the soap to soak in before rinsing. Do not allow the soap to dry on the surface before rinsing.

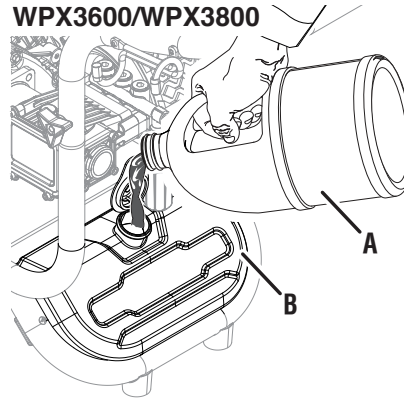
FIG. 17



A - Quick-connect collar  
B - Nozzle

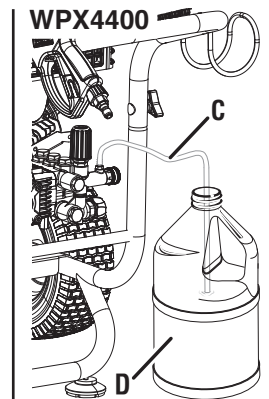
FIG. 18

WPX3600/WPX3800



A - Cleaning solution  
B - Detergent tank

WPX4400



C - Siphon hose  
D - Detergent bottle

Reapply soap if necessary to maintain a wet surface for the soap to soak in.

## DETERGENT SYSTEM FLUSH

The detergent suction system can be flushed by removing the suction tube from the detergent tank or bottle and placing the tube in a fresh bucket of water. On the WPX3600 and WPX3800, only perform a system flush when the detergent tank is empty.

- For WPX3600 and WPX3800, with the water supply ON, the black nozzle connected to the spray gun lance, and the engine running, disconnect the suction tube from the bottom of the detergent tank.
- For WPX4400, with the water supply ON, the black nozzle connected to the spray gun lance, and the engine running, remove the siphon hose from the bottle of detergent.
- Place the suction tube in a clean bucket of water, disengage the trigger lock, then depress the spray gun trigger to flush the system.
- For WPX3600 and WPX3800, engage the trigger lock then reinstall the suction tube on the detergent tank.

## AFTER EACH USE

- Lock the spray gun trigger.
- Turn the engine OFF, then turn the water supply OFF.



# OPERATION

- Disengage the trigger lock and depress the trigger for 15 seconds to depressurize the system.
- Let the pressure washer cool down.
- Disconnect the high-pressure hose and water inlet hose.
- Drain the hoses, spray gun, and nozzle extension.
- Engage the trigger lock on the spray gun.
- Wipe off all remaining water with a clean, dry rag.
- While the pressure washer is turned off, pull the recoil handle 5 to 6 times. This should remove most of the remaining liquid inside the pump.
- Store the pressure washer in a clean, dry place.

## TRANSPORTING

**CAUTION** Weight hazard. Always have assistance when lifting the pressure washer.

- Allow the pressure washer to cool a minimum of 30 minutes before transporting.
- Only use the pressure washer's fixed frame to lift the unit or attach any load restraints such as ropes or tie-down straps. Do not attempt to lift or secure the pressure washer by holding onto any of its other components.
- Keep the unit level during transport to minimize the possibility of fuel leakage or, if possible, drain the fuel or run the engine until the fuel tank is empty before transport.
- The pressure washer wheels are only intended for hand transport. The wheels are not suitable for towing the pressure washer either on or off-road.

**CAUTION** Fire hazard. Do not up-end the pressure washer or place it on its side. Fuel or oil can leak and damage to the pressure washer may occur.

# MAINTENANCE

## MAINTENANCE SCHEDULE

**WARNING** Disconnect the spark plug boot from the spark plug when performing maintenance on the pressure washer.

Regular maintenance will improve performance and extend the service life of the pressure washer. Follow the hourly or calendar intervals, whichever occurs first. More frequent service is required when operating in adverse conditions as noted below.

Before Each Use	
<input type="checkbox"/>	Check engine and pump oil
<input type="checkbox"/>	Check water inlet screen and gasket
<input type="checkbox"/>	Clean around air intake and muffler
After First 5 Hours	
<input type="checkbox"/>	Change engine oil
After First 20 Hours	
<input type="checkbox"/>	Change pump oil
After 50 Hours or Every Season	
<input type="checkbox"/>	Clean air filter
<input type="checkbox"/>	Change engine oil if operating under heavy load or in hot environments
<input type="checkbox"/>	Clean spark arrestor

After 100 Hours or Every Season	
<input type="checkbox"/>	Inspect/clean spark arrestor
<input type="checkbox"/>	Inspect/clean spark plug
<input type="checkbox"/>	Inspect/adjust valve clearance*
After 300 Hours	
<input type="checkbox"/>	Replace spark plug
<input type="checkbox"/>	Replace air filter

\* Recommend service to be performed by authorized Westinghouse service dealer.

## CLEANING THE PRESSURE WASHER

**CAUTION** DO NOT spray the pressure washer with water. Water can contaminate the fuel system and can enter the engine through the cooling slots and damage the engine.

- Use a damp cloth to clean exterior surfaces of the pressure washer.
- Use a soft bristle brush to remove dirt and oil.
- Use an air compressor (25 PSI) to clear dirt and debris from the pressure washer.
- Inspect all air vents and cooling slots to ensure that they are clean and unobstructed.

# MAINTENANCE

## CLEANING SPRAY NOZZLES

See Figure 19.

Detach the nozzle from the spray lance. Use the included nozzle cleaning tool to loosen any particles in the nozzle. Flush with water.

## CLEANING THE AIR FILTER

See Figure 20.

**WARNING** Fire hazard. Never use gasoline or other flammable solvents to clean the air filter.

The air filter must be cleaned after every 50 hours of use or six months (frequency should be increased if the pressure washer is operated in a dusty environment).

- Place the pressure washer on a level surface and allow the engine to cool for several minutes.
- Use your fingers to unscrew the thumb screw on top of the air filter assembly. Remove the wing nut, then remove the air filter.
- Use compressed air to clean the air filter from the inside out.

**NOTE:** The outer foam air filter element is not intended to be removed. If torn, replace the air filter.

## ENGINE OIL LEVEL CHECK

See Figure 21.

**CAUTION** Avoid skin contact with engine oil. Wear protective clothing and equipment. Wash all exposed skin with soap and water.

**NOTICE** Always use the specified engine oil. Failure to use the specified engine oil can cause accelerated wear and/or shorten the life of the engine.

When using the pressure washer under extreme, dirty, dusty conditions or in extremely hot weather, change the oil more frequently.

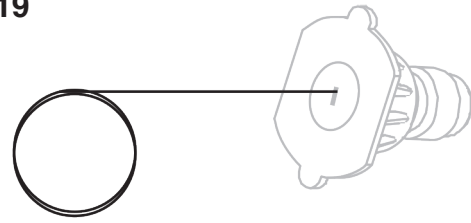
Ambient air temperature will affect engine oil performance. Change the type of engine oil used based on weather conditions.

Recommended Engine Oil Type									
		10W-30							
	5W-30			10W-40					
	5W-30 Synthetic								
°F	-20	0	20	40	60	80	100	120	
°C	-28.9	-17.8	-6.7	4.4	15.6	26.7	37.8	48.9	
Ambient temperature									

Check the engine oil level before each use.

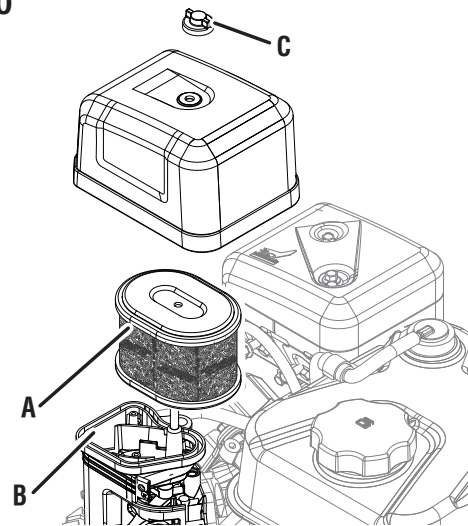
- Place the pressure washer on a level surface and allow the engine to cool for several minutes.
- With a damp rag, clean around the oil dipstick.

FIG. 19



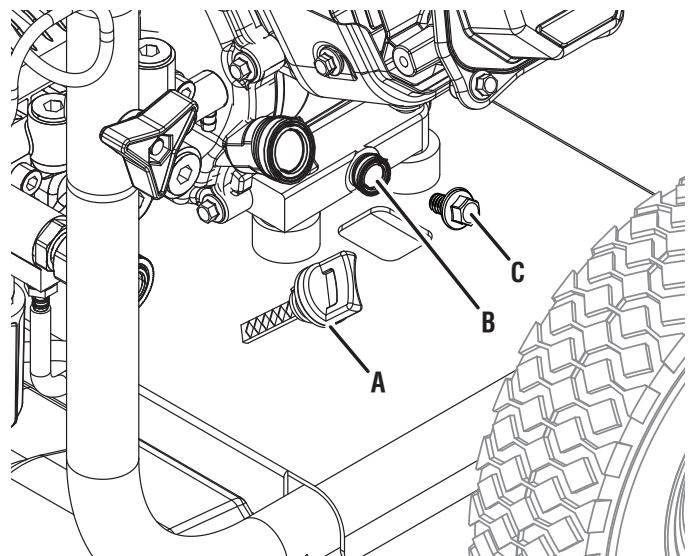
- A - Nozzle cleaning tool
- B - Nozzle

FIG. 20



- A - Air filter
- B - Air filter assembly
- C - Wingnut

FIG. 21



- A - Oil cap/dipstick
- B - Drain hole
- C - Oil drain bolt

**NOTE:** There is an oil dipstick/filler neck on both sides of the unit. Either can be used to check or add oil.

- Remove the oil dipstick and wipe the dipstick clean.

# MAINTENANCE

- Screw the dipstick fully into the oil filler neck. Remove the dipstick and verify that the oil level is within safe operating range.
- If low, add recommended engine oil incrementally and recheck until the level is between the L and H marks on the dipstick. DO NOT overfill. If over the full mark (H) on the dipstick, drain the oil to reduce the oil level to the full mark.
- Replace the oil dipstick and hand-tighten.

## ENGINE OIL CHANGE

See Figure 21.

When using the pressure washer under extreme, dirty, dusty conditions or in extremely hot weather, change the oil more frequently. Change the oil while the engine is still warm from operation.

- Place the pressure washer on a level surface and allow the engine to cool for several minutes.
- With a damp rag, clean around the oil dipstick. Remove the dipstick and wipe clean.
- Place an oil pan (or suitable container) under the oil drain bolt.
- Using a 10 mm wrench, remove the oil drain bolt and allow the oil to drain.
- Install the oil drain bolt and tighten securely.
- Slowly pour oil into the oil filler neck until the level is between the L and H marks on the dipstick. Stop frequently to check the oil level. DO NOT overfill.

Maximum oil capacity: 20 Oz. (0.6 Liter)

- Install the oil dipstick and hand-tighten

### NOTICE

Do not pollute. Follow the guidelines of the EPA or other governmental agencies for proper disposal of hazardous materials. Consult local authorities or reclamation facility.

## PUMP OIL CHANGE

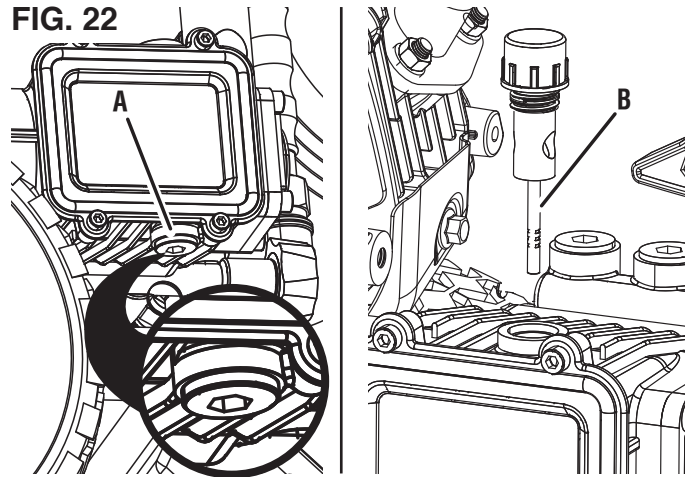
See Figure 22.

After 20 hours of use, change the oil in the water pump. The oil should be changed once a year after. When replacing the pump oil, use **only** SAE85W-90.

**NOTE:** The oil capacity of these units is approximately 230 to 250 ml.

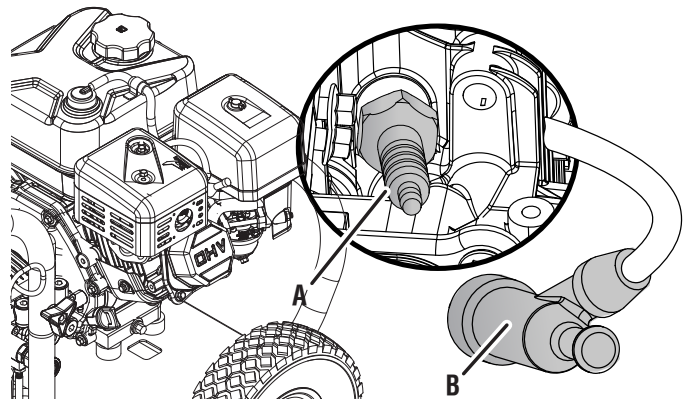
- Place a container under the pump to catch the used oil.
- Loosen and remove the hex socket drain bolt (8 mm in the WPX3600/3800; and 17 mm in the WPX4400. Socket is not included.)
- Allow the oil to drain completely into the container.
- Replace the socket drain bolt and tighten firmly. Do not cross thread.
- Fill the oil to the red mark located in the oil detection window.

FIG. 22



A - Oil pump drain bolt  
B - Oil pump dipstick

FIG. 23



A - Spark plug  
B - Spark plug cap

## SPARK PLUG MAINTENANCE

See Figure 23.

Inspect and clean the spark plug after every 100 hours of use or six months. Replace the spark plug after 300 hours of use or every year.

- Place the pressure washer on a level surface and allow the engine to cool.
- Remove the spark plug boot by firmly pulling the spark boot directly away from the engine.
- Clean the area around the spark plug.
- Remove the spark plug with the included spark plug socket wrench.

### NOTICE

Never apply any side load or move the spark plug laterally when removing the spark plug.

- Inspect the spark plug. Replace if electrodes are pitted, burned, or the insulator is cracked. Only use a recommended replacement plug.

# MAINTENANCE

## Recommended Spark Plug Replacement

Westinghouse Model Number	Torch	NGK
WPX3600/3800/4400	F7TC	BP7ES

- Measure the spark plug electrode gap with a wire-type feeler gauge. If necessary, correct the gap by carefully bending the side electrode.

Spark plug gap: 0.024 – 0.032 in. (0.60 – 0.80 mm)

- Carefully install the spark plug finger tight, then tighten as additional 3/8 to 1/2 turn with the spark plug wrench.
- Attach the spark plug boot.

## SPARK ARRESTOR SERVICE

See Figures 24 - 25.

Allow the muffler to cool completely before servicing the spark arrestor. Check and clean the spark arrestor after every 100 hours of use or every season. Failure to clean the spark arrestor will result in degraded engine performance.

- Place the pressure washer on a level surface.
- Carefully remove the carbon deposits from the spark arrestor screen with a wire brush. The spark arrestor must be free of breaks and tears. Replace the spark arrestor if damaged.

## DRAINING THE FLOAT BOWL

See Figure 26.

- Turn the fuel tank valve to the OFF position.
- Locate the drain screw on the bottom of the carburetor float bowl.
- Place an appropriate gasoline container under the drain screw to catch the drained fuel.
- Loosen the float bowl drain screw and allow the fuel to drain. Tighten the float bowl drain screw.

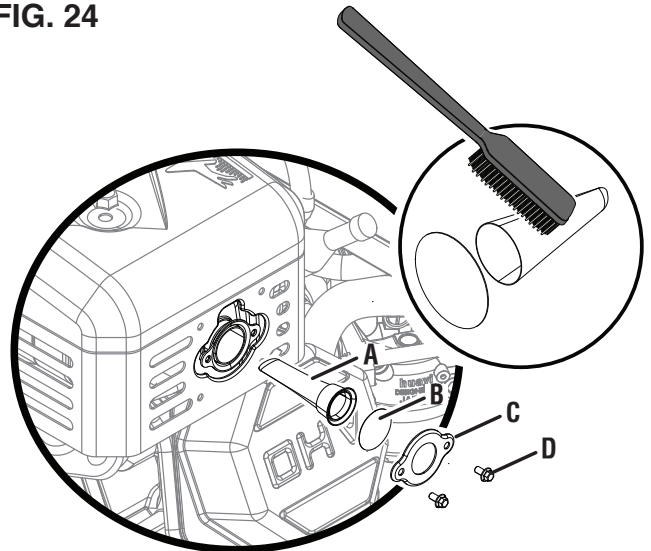
## DRAINING THE FUEL TANK

See Figure 27.

If storing the pressure washer for longer than six months, drain the fuel tank to prevent fuel separation, deterioration, and deposits in the fuel system.

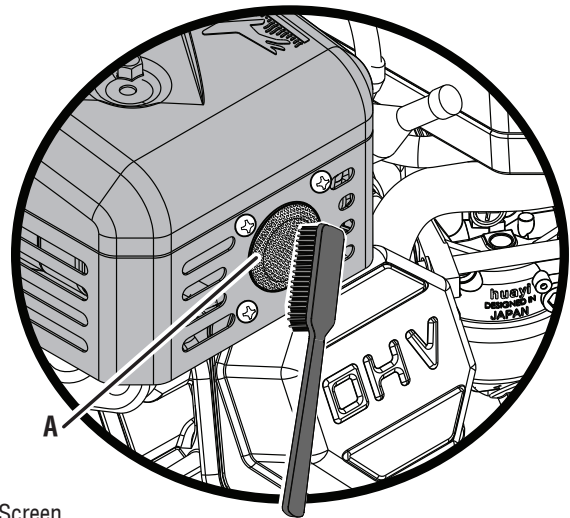
- Drain the float bowl.
- Unscrew the fuel tank cap. Remove the fuel screen filter by slightly compressing it while removing it from the tank.
- Using a commercially available gasoline hand pump (not included), siphon the gasoline from the fuel tank into an approved gasoline container. DO NOT use an electric pump.
- Reinstall the fuel screen filter and the fuel tank cap.
- Remove the spark plug.

FIG. 24



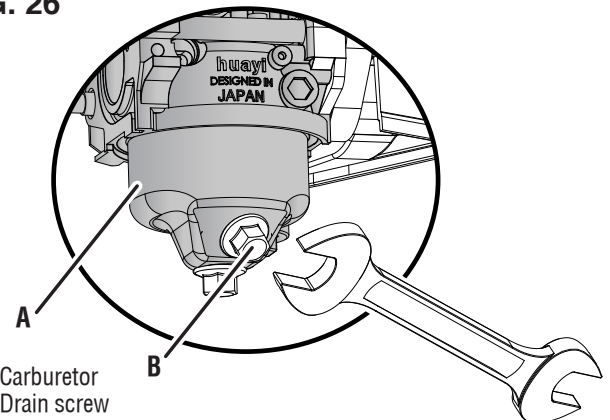
- A - Spark arrestor
- B - Screen
- C - Bracket
- D - Screws

FIG. 25



- A - Screen

FIG. 26



- A - Carburetor
- B - Drain screw



# MAINTENANCE

- Put a teaspoon of engine oil into the cylinder and pull the recoil handle until resistance is felt. At this position the piston is coming up on its compression stroke and both valves are closed. Storing the engine in this position will help prevent internal corrosion. Return the recoil handle gently.
- Reinstall the spark plug. Leave the spark plug boot disconnected to prevent accidental starting.

## VALVE CLEARANCE

See Figures 28 - 29.

### NOTICE

Checking and adjusting valve clearance must be done when the engine is cold.

- Remove the rocker arm cover and carefully remove the gasket. If the gasket is torn or damaged, it must be replaced.
- Remove the spark plug so the engine can be rotated more easily.
- Rotate the engine to top dead center (TDC) by pulling the recoil handle slowly. Looking through the spark plug hole, the piston should be at the top (both valves are closed).
- Both the rocker arms should be loose at TDC on the compression stroke. If they are not, rotate the engine 360°.
- Insert a feeler gauge between the rocker arm and the valve stem to measure valve clearance.

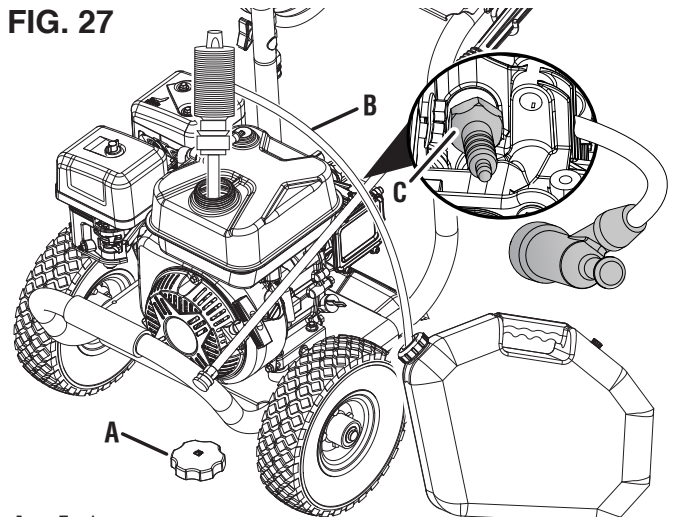
	Intake Valve	Exhaust Valve
Valve Clearance	0.0031 – 0.0047 in (0.08 – 0.12 mm)	0.0051 – 0.0067 in (0.13 – 0.17 mm)
Torque	8-12 N•m	8-12 N•m

- If an adjustment is necessary, hold the rocker arm pivot and loosen the pivot adjusting nut.
- Turn the rocker arm pivot to obtain the specified clearance. Hold the rocker arm pivot and re-tighten the pivot adjusting nut to the specified torque.

### Torque: 106 inch-pound (12 N•m)

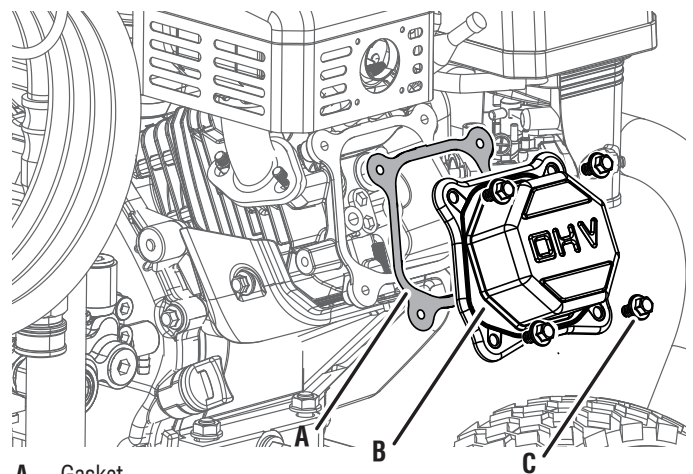
- Perform this procedure for the other valve.
- Install the gasket, rocker arm cover, and spark plug.

FIG. 27



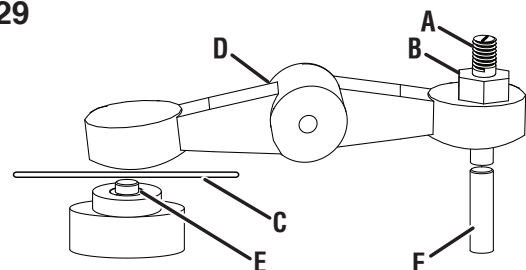
- A - Fuel cap
- B - Siphon
- C - Spark plug

FIG. 28



- A - Gasket
- B - Rocker arm cover
- C - Bolts

FIG. 29



- A - Adjustment screw
- B - Jam nut
- C - Feeler gauge
- D - Rocker arm
- E - Valve stem
- F - Push rod

# MAINTENANCE

## INSTALL HANDLE FOR STORAGE

See Figure 30.

- Remove the knob and bolt.
- Reverse the handle so it is facing toward the pressure washer. Reinstall on the lower frame.
- Insert the bolt through the frame and secure with the handle knob.

## STORAGE

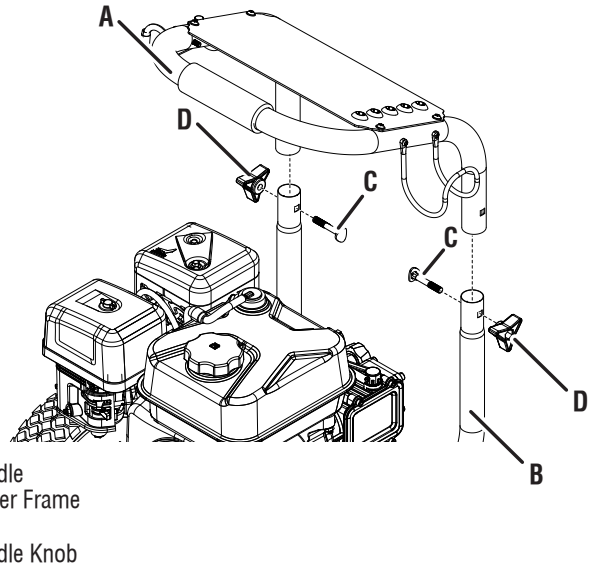
Proper storage preparation is required for trouble-free operation and pressure washer longevity.

**NOTICE** Gasoline stored for as little as 30 days can deteriorate, causing gum, varnish, and corrosive buildup in fuel lines, fuel passages, and the engine. This corrosive buildup restricts the flow of fuel, which can prevent the engine from starting after a prolonged storage period. The use of fuel stabilizer significantly increases the storage life of gasoline. Full-time use of fuel stabilizer is recommended. Follow the manufacturer's instructions for use.

**WARNING** Never store a pressure washer with fuel in the tank indoors or in a poorly ventilated area where the fumes can come in contact with an ignition source such as a pilot light of a stove, water heater, clothes dryer, or any other gas appliance, or a spark from an electric appliance.

STORAGE TIME	RECOMMENDED PROCEDURE
Less than 1 month	No service required.
2 to 6 months	Fill with fresh gasoline and add gasoline stabilizer. Drain the carburetor float bowl.
6 months or longer	Drain the fuel tank and carburetor float bowl.

FIG. 30



- A - Handle
- B - Lower Frame
- C - Bolt
- D - Handle Knob

## STORED FOR LESS THAN 30 DAYS

- Allow the pressure washer to cool a minimum of 30 minutes before storage.
- Wipe the pressure washer with a moist cloth. Clean any debris from the muffler cooling vents.
- Store the pressure washer in a well-ventilated, clean, dry location away from sparks, open flames, pilot lights, heat, and other sources of ignition such as areas with a spark-producing electric motor or where power tools are operated. Store in an area out of direct sunlight.
- Do not store the pressure washer or gasoline near furnaces, water heaters, or any other appliances that produce heat or have automatic ignitions.

## STORED FOR OVER 30 DAYS

Even properly stabilized fuel can leave residue and cause corrosion if left long term. If storing the pressure washer for two to six months, drain the float bowl to prevent gum and varnish buildup in the carburetor.

## WINTER STORAGE

Make sure the pressure washer hose is free of all water before storing for winter. In order to prevent corrosion and keep the water pump from freezing you will need to add RV (non-toxic) antifreeze or similar pump-protection specifically made for pressure washers. Follow the manufacturer's instructions for use.

# TROUBLESHOOTING

PROBLEM	POSSIBLE CAUSE	CORRECTION
Engine will not start.	Fuel valve in OFF position.	Turn fuel valve to ON position.
	No fuel.	Add fuel.
	Choke in wrong position.	Adjust choke.
	Spark plug wire loose.	Attach spark plug boot.
	Faulty spark plug.	Replace spark plug.
	Stale fuel or water in fuel.	Drain fuel and replace with fresh fuel.
	Dirty air filter.	Clean or replace air filter.
Engine suddenly stops.	Out of fuel.	Add fuel.
	Low oil.	Check oil and add if low.
Engine runs erratically.	Choke in wrong position.	Adjust choke.
	Low oil.	Check oil and add if low.
	Stale fuel or water in fuel.	Drain fuel and replace with fresh fuel.
	Faulty spark plug.	Replace spark plug.
Unit does not reach high pressure.	Water supply restricted.	Check hoses for leaks, blockages, kinks.
	Garden hose too small.	Use 5/8 in. (0.025 mm) hose or larger.
	Not enough inlet water.	Turn garden hose water supply fully ON. Check hoses for leaks, blockages, kinks.
Spray pressure varies.	Poor inlet water supply.	
	Garden hose inlet filter is clogged.	Remove garden hose, clean filter.
	Spray nozzle is restricted.	Remove particles with nozzle cleaning tool.
	Air ingress to pump.	Check all hoses and fittings for secure connections. With water supply ON, turn engine OFF and purge pump of air by depressing trigger until a steady stream of water flows.
Cannot pull recoil starter handle.	Pump pressure.	Depress spray gun trigger to relieve pressure.
Low pressure detergent wash not working.	Wrong nozzle installed on spray lance.	Detergent only works with black (low pressure) nozzle installed. Install black nozzle. If missing, replace.
	Detergent is too thick.	Use detergent made specifically for pressure washer use.
	Detergent hose is not connected to the pump.	Check hose connections.
	Spray nozzle is obstructed.	Clean nozzle of debris.
	Detergent hose is clogged.	Remove detergent hose and clean. Replace.
	Blockage inside pump detergent valve.	Quickly depress and release spray gun trigger 4-5 times to clear the detergent valve.
Garden hose connection leaks.	Loose fittings.	Tighten fittings.
	Missing/worn rubber washer.	Check hose and pump water inlet washers. Replace if missing/worn.
Spray gun lance leaks.	Loose fittings.	Check for worn O-rings or loose connections.
	Missing/worn rubber washers.	Remove spray lance and/or high pressure hose. Check and replace washers if necessary.



## WPX3600, WPX3800, WPX4400 Para modelos de lavadoras a presión de gas

### MANUAL DE USUARIO

#### NO DEVUELVA ESTE PRODUCTO A LA TIENDA

Si tiene preguntas o necesita ayuda, llame al servicio de atención al cliente al 855-944-3571.

### TABLA DE CONTENIDO

Introducción .....	2-3
Seguridad .....	4-6
Componentes .....	7-8
Montaje .....	9-11
Operación .....	12-17
Mantenimiento .....	17--22
Solución de problemas .....	23
Línea de atención al cliente/dirección de la empresa .....	Página trasera

### INTRODUCCIÓN

**⚠ ADVERTENCIA** La operación, el servicio y el mantenimiento de este equipo pueden exponerlo a productos químicos, incluidos los gases de escape del motor, el monóxido de carbono, los ftalatos y el plomo, que el estado de California reconoce como causantes de cáncer y defectos de nacimiento u otros daños reproductivos. Para minimizar la exposición, evite respirar los gases de escape y use guantes o lávese las manos con frecuencia cuando realice el mantenimiento de este equipo. Para obtener más información, visite [www.P65warnings.ca.gov](http://www.P65warnings.ca.gov).

#### EXENCIONES DE RESPONSABILIDAD

Toda la información, ilustraciones y especificaciones de este manual estaban vigentes en el momento de su publicación. Las ilustraciones que se utilizan en este manual se ofrecen únicamente como vistas de referencia representativas. Nos reservamos el derecho de realizar cualquier cambio en las especificaciones o el diseño sin previo aviso.

#### RESERVADOS TODOS LOS DERECHOS

Reservados todos los derechos. No se permite la reproducción en ninguna forma sin el permiso por escrito de Westinghouse Outdoor Power Equipment.



**⚠ PELIGRO** Lea este manual antes de usar o realizar el mantenimiento de este producto. El incumplimiento de las instrucciones y precauciones de seguridad de este manual puede provocar lesiones graves o la muerte.

#### ACTUALIZACIONES

El manual de usuario más reciente para sus productos Westinghouse se puede encontrar en nuestra pestaña de soporte [wpowereq.com/pages/manuals](http://wpowereq.com/pages/manuals)

O escanee el siguiente código QR con la cámara de su teléfono inteligente para ser dirigido al enlace.



# INTRODUCCIÓN

ESPECIFICACIONES	WPX3600	WPX3800	WPX4400
Presión (PSI / BAR):	3600/248	3800/262	4400/303
Tasa de flujo (GPM / LPM):	2.7/10.22	3.6 /13.63	4.2 /15.9
Temperatura del agua: (°F/°C):	104°/40° Max	104°/40° Max	104°/40° Max
Longitud de la manguera (ft/m):	35/10.6	35/10.6	50/15.24
Capacidad del tanque de jabón (Gal/L/Oz):	0.8/3/101	0.8/3/101	N/A
Desplazamiento del motor (cc):	212	274	420
Tipo de inicio:	Recoil	Recoil	Recoil
Capacidad de combustible (Gal/L):	0.95 gal/3.6L	1.32 gal/5L	1.72 gal/6.5L
Tipo de combustible:	87–93 octane*	87–93 octane*	87–93 octane*
Capacidad de aceite (ml):	500ml	700ml	1000ml
Tipo de aceite:	SAE 10W-30	SAE 10W-30	SAE 10W-30
Bujía:	F7TC	F7TC	F7TC
Espacio de la bujía:	0.024 – 0.032 in. (0.60 – 0.80 mm)	0.024 – 0.032 in. (0.60 – 0.80 mm)	0.024 – 0.032 in. (0.60 – 0.80 mm)
Boquillas:	0°,15°, 25°, 40°, Soap	0°,15°, 25°, 40°, Soap	0°,15°, 25°, 40°, Soap
Certificaciones:	EPA CARB	EPA CARB	EPA CARB

\*Contenido de etanol del 10% o menos. NO use E15 o E85.

## REGISTRACIÓN DEL PRODUCTO

Para una cobertura de garantía sin problemas, es importante registrar su producto Westinghouse.

### Puedes registrarte por:

- Completar y enviar por correo la tarjeta de registro del producto incluida en la caja.
- Registro del producto suen línea en: [wpowereq.com/pages/warranty-registration](http://wpowereq.com/pages/warranty-registration)
- Escanee el código QR anterior con la cámara de su teléfono inteligente para ser dirigido al enlace de registro móvil.



### Para su archivo

Fecha de compra: \_\_\_\_\_  
 Número de modelo: \_\_\_\_\_  
 Número de serie: \_\_\_\_\_  
 Lugar de compra: \_\_\_\_\_

- Envío de la siguiente información del producto a:

**Westinghouse Outdoor Power**  
 Warranty Registration  
 777 Manor Park Drive  
 Columbus, OH 43228

**IMPORTANTE:** Guarde su recibo de compra para una cobertura de garantía sin problemas.

### AVISO

Este producto está diseñado y clasificado para un funcionamiento continuo a temperaturas ambiente de hasta 104 ° F (40 ° C). Si es necesario, este producto se puede utilizar a temperaturas que oscilan entre 5 ° F (15 ° C) y 122 ° F (50 ° C) durante períodos cortos. Si el producto se expone a temperaturas fuera de este rango durante el almacenamiento, debe volver a colocarse dentro de este rango antes de su funcionamiento. Este producto siempre debe utilizarse al aire libre en un área bien ventilada y lejos de puertas, ventanas y otros conductos de ventilación.

La potencia máxima disminuye aproximadamente un 3.5% por cada 1,000 pies sobre el nivel del mar, y también disminuirá aproximadamente un 1% por cada 10 ° F (6 ° C) por encima de 60 ° F (16 ° C) de temperatura ambiente.

### AVISO

¡Gracias por elegir Westinghouse!  
**POR FAVOR LEA ANTES DE DEVOLVER ESTE PRODUCTO POR CUALQUIER MOTIVO.**

Si tiene alguna pregunta o experimenta un problema con su compra de Westinghouse, llámenos al 1-855-944-3571 para hablar con un agente.

**GUARDE ESTE MANUAL PARA FUTURAS CONSULTAS.**

## ¿TIENE PREGUNTAS?

Envíenos un correo electrónico a [service@wpowereq.com](mailto:service@wpowereq.com) o llame al 1-855-944-3571

# LA SEGURIDAD

## DEFINICIONES DE SEGURIDAD

Las palabras PELIGRO, ADVERTENCIA, PRECAUCIÓN y AVISO se utilizan en este manual para resaltar información importante. Asegúrese de que todos los que operan, realizan mantenimiento o se encuentran cerca del generador conozcan el significado de esta información de seguridad.



Aparece este símbolo de alerta de seguridad con la mayoría de las declaraciones de seguridad. Eso significa atención, mantente alerta, tu la seguridad está involucrada! Por favor lea y Cumplir con el mensaje que sigue el símbolo de alertas de seguridad.

**PELIGRO** Indica una situación peligrosa que, si no se evita, provocará la muerte o lesiones graves.

**ADVERTENCIA** Indica una situación peligrosa que, si no se evita, podría provocar la muerte o lesiones graves.

**PRECAUCIÓN** Indica una situación peligrosa que, si no se evita, podría provocar lesiones leves o moderadas.

**AVISO** Indica una situación que puede causar daños al generador, a la propiedad personal y/o al medio ambiente, o hacer que el equipo funcione incorrectamente.

**NOTA:** Indica un procedimiento, práctica o condición que se debe seguir para que el generador funcione de la manera prevista.

## SÍMBOLOS DE SEGURIDAD

Siga toda la información de seguridad contenida en este manual del usuario, así como la información en la etiqueta del producto.

Símbolo	Descripción
	Símbolo de alerta de seguridad
	Riesgo de electrocución
	Peligro de asfixia
	Peligro de quemaduras. No toque superficies calientes.
	Peligro de descarga eléctrica
	Riesgo de inyección. No dirija el chorro de agua a personas o mascotas.
	Contragolpe. Sostenga la pistola rociadora de forma segura
	Peligro de incendio
	Mantenga una distancia segura
	Peligro de levantamiento
	Leer las instrucciones del fabricante
	No operar en condiciones de humedad

**PELIGRO** MONÓXIDO DE CARBONO: usar este producto en interiores PUEDE MATARLO EN MINUTOS. Opere este producto al aire libre solo en un área bien ventilada..

NO opere el producto dentro de ningún edificio, incluidos garajes, sótanos, espacios de acceso y cobertizos, recintos o compartimentos. NO permita que los gases de escape entren en un área confinada a través de ventanas, puertas, respiraderos u otras aberturas.

# LA SEGURIDAD

## SEGURIDAD DE COMBUSTIBLE

**⚠ PELIGRO** Riesgo de incendio y explosión. La gasolina es altamente explosiva e inflamable y puede causar quemaduras graves o la muerte.

- En caso de incendio de gas, no intente apagar la llama si la válvula del tanque de combustible está en la posición ON. Introducir un extintor en una lavadora a presión con una válvula de combustible abierta podría crear un peligro de explosión.
- El gas tiene un olor distintivo, esto ayudará a detectar posibles fugas rápidamente.
- Los vapores de gas pueden provocar un incendio si se encienden.
- La gasolina irrita la piel y debe limpiarse inmediatamente si entra en contacto con la piel.
- La gasolina y los vapores de gasolina son extremadamente inflamables y explosivos en determinadas condiciones.
- SIEMPRE reposte la lavadora a presión al aire libre, en un área bien ventilada.
- NUNCA quite la tapa de combustible con el motor en marcha.
- NUNCA reabastezca de combustible la lavadora a presión mientras el motor esté en funcionamiento. Siempre apague el motor y deje que la lavadora a presión se enfríe durante al menos dos minutos antes de repostar.
- Llene el tanque de combustible únicamente con gasolina.
- Mantenga alejadas las chispas, llamas abiertas u otras formas de ignición (como fósforos, cigarrillos, fuentes de electricidad estática) cuando reabastezca combustible.
- NUNCA llene demasiado el tanque de combustible. Deje espacio para que el combustible se expanda. Sobrellenar el tanque de combustible puede resultar en un desbordamiento repentino de gasolina y resultar en que la gasolina derramada entre en contacto con superficies CALIENTES.
- El combustible derramado puede arder. Si se derrama combustible en la lavadora a presión, limpie cualquier derrame inmediatamente. Deseche el trapo correctamente. Deje que se seque el área de combustible derramado antes de operar la lavadora a presión.
- Use protección para los ojos mientras reposta.
- NUNCA use gasolina como agente de limpieza.
- Almacene cualquier recipiente que contenga gasolina en un área bien ventilada, lejos de cualquier combustible o fuente de ignición.
- Compruebe si hay fugas de combustible después de repostar.
- Nunca opere el motor si se descubre una fuga de combustible.

- Almacene el combustible en un recipiente aprobado para gasolina.
- No fume cuando llene la hidrolavadora con gasolina.
- No permita que el tanque de gasolina se desborde al llenarlo.
- Apague el motor y deje que se enfríe durante dos minutos antes de agregar gasolina o aceite a la lavadora a presión.
- Limpie el combustible derramado de la unidad.
- Nunca intente quemar el combustible derramado.
- Almacene cualquier recipiente que contenga gasolina en un área bien ventilada, lejos de cualquier combustible o fuente de ignición.

## PRECAUCIONES GENERALES DE SEGURIDAD

- No lo utilice cuando esté cansado o bajo la influencia de drogas, alcohol o medicamentos.
- Siempre use anteojos de seguridad o anteojos de seguridad con protectores laterales y, según sea necesario, un protector facial completo y protección completa para los oídos cuando utilice este producto.
- Si comienza a sentirse enfermo, mareado o débil mientras usa la lavadora a presión, muévase al aire fresco INMEDIATAMENTE. Consulte a un médico, ya que puede sufrir una intoxicación por monóxido de carbono.
- Úselo solo EN EXTERIORES y lejos de ventanas, puertas y conductos de ventilación según lo recomendado por los Centros para el Control y la Prevención de Enfermedades del Departamento de Salud y Servicios Humanos de EE. Su casa específica y / o las condiciones del viento pueden requerir una distancia adicional.
- Mientras opera y almacena, mantenga al menos cinco pies de espacio libre en todos los lados de la lavadora a presión, incluido el techo. Deje que la lavadora a presión se enfríe un mínimo de 30 minutos antes de guardarla. El calor creado por el silenciador y los gases de escape puede ser lo suficientemente caliente como para causar quemaduras graves y / o encender objetos combustibles.
- No toque el silenciador ni el motor. Están muy CALIENTES y causarán quemaduras graves. No coloque partes del cuerpo ni ningún material inflamable o combustible en el camino directo del escape.
- Siempre retire cualquier herramienta u otro equipo de servicio utilizado durante el mantenimiento lejos de la unidad antes de operar.
- Evite el contacto de la piel con aceite de motor o gasolina. Use ropa y equipo de protección. Lave toda la piel expuesta con agua y jabón.

# LA SEGURIDAD

## PELIGRO

Riesgo de inyección o lesiones. Los chorros de alta presión pueden ser peligrosos si se utilizan incorrectamente. NO dirija el chorro de descarga hacia personas, animales, dispositivos eléctricos o la propia máquina. SIEMPRE apunte la pistola rociadora en una dirección segura. Cada vez que pare el motor, presione el gatillo de la pistola rociadora para aliviar la presión.

## PELIGRO

NUNCA rocíe líquidos inflamables ni use lavadoras a presión en áreas que contengan polvo, líquidos o vapores combustibles. NUNCA opere esta máquina en un edificio cerrado o cerca de un ambiente explosivo.

- Las ruedas solo están destinadas al transporte manual. Las ruedas no son adecuadas para remolcar la lavadora a presión dentro o fuera de la carretera.

## ADVERTENCIA

El contacto con la fuente de energía eléctrica puede causar descargas eléctricas o quemaduras. NUNCA rocíe en la dirección o cerca de una fuente de alimentación / tomacorriente.

- NUNCA desconecte la manguera de descarga de alta presión de la máquina mientras el sistema esté presurizado.
- NO permita que el agua de la bomba se congele. Consulte la sección Almacenamiento en el manual para obtener instrucciones sobre el almacenamiento en invierno.
- Si el agua se ha congelado en la lavadora a presión, descongélela en una habitación cálida antes de comenzar.
- Utilice la lavadora a presión solo para los usos previstos.
- Opere solo en superficies niveladas.
- NO esponga la hidrolavadora a humedad, polvo o suciedad excesivos.
- NO permita que ningún material bloquee las ranuras de enfriamiento.
- NO use la lavadora a presión si la unidad emite chispas, humea, emite llamas o vibra excesivamente.

### Al encender la lavadora a presión:

- NUNCA haga funcionar la unidad en seco. Asegúrese de que el suministro de agua esté completamente abierto antes de operar la unidad.
- NO vierta agua caliente sobre o dentro de la bomba; las piezas internas se dañarán y su garantía quedará anulada. ÚNICAMENTE use agua fría.
- Úselo solo en una superficie nivelada.
- Asegúrese de que haya un drenaje adecuado para disipar el agua.
- Asegúrese de que la tapa de combustible, el filtro de aire, la bujía, las líneas de combustible y el sistema de escape estén colocados correctamente.

- Si derrama gasolina en el tanque, deje que se evapore completamente antes de operar.

### Al transportar o reparar la lavadora a presión:

- Desconecte la bota de chispa para evitar un arranque accidental.

### Al guardar la hidrolavadora:

- Almacene lejos de chispas, llamas abiertas, luces piloto, calor y otras fuentes de ignición.
- No almacene gasolina cerca de hornos, calentadores de agua o cualquier otro aparato que produzca calor o tenga encendido automático.

## AVISO

El agua a alta presión puede dañar las superficies frágiles. SIEMPRE practique en un área de prueba discreta para comprender cuándo pueden ocurrir daños.

## ADVERTENCIA

El uso de lavadoras a presión puede crear superficies mojadas para caminar. Mientras usa una lavadora a presión, las fuerzas de la pistola pueden hacer que se afloje y se caiga.

## ADVERTENCIA

El aerosol de alta presión puede salpicar al operador o propulsar objetos.

- NUNCA permita que los niños operen una lavadora a presión o jueguen cerca.
- NUNCA deje la pistola rociadora desatendida mientras la máquina esté funcionando o hasta que se haya apagado el motor y se haya aliviado la presión de la pistola rociadora.
- NUNCA repare la manguera de alta presión, reemplácela.
- NUNCA repare las conexiones con fugas con sellador, reemplace las juntas tóricas dañadas.
- NUNCA use una pistola rociadora con un seguro de gatillo dañado o alterado.
- NUNCA: asegure el gatillo en la posición abierta / rociado.
- SIEMPRE mantenga la manguera de alta presión conectada a la pistola rociadora y la bomba mientras esté en uso.
- SIEMPRE asegúrese de que la boquilla de la pistola rociadora esté correctamente conectada a la lanza.
- SIEMPRE use gafas de seguridad cuando opere este equipo. Las gafas de seguridad cubren los lados, la parte superior e inferior de los ojos. No confunda gafas de seguridad con gafas.
- Úselo solo en una superficie nivelada.
- DO NOT use on elevated surface where kickback could result in a serious fall.
- SIEMPRE agarre la pistola con las dos manos para evitar posibles lesiones causadas por la alta presión de la pistola.



# COMPONENTES

---

## ENTENDIENDO SU LAVADORA A PRESIÓN

*Vea la figura 1.*

Para reducir el riesgo de lesiones y fallas del producto, lea y comprenda la información de este manual del usuario, así como la información de la etiqueta del producto.

## PISTOLA ROCIADORA

Utilice la pistola rociadora y la lanza para controlar y dirigir el chorro de agua.

## VÁLVULA DE ALIVIO TÉRMICO

Cuando el agua alcance los 125° F, el agua tibia se descargará de la bomba al suelo para ayudar a prevenir daños internos en la bomba.

## ARRANCADOR DE RETROCESO

Tire para arrancar el motor.

## VARILLA DE ACEITE

Desenrosque la varilla medidora de aceite para verificar los niveles de aceite y agregue aceite cuando sea necesario.

## BOMBA

Genera alta presión.

## MANEJAR

Utilice el asa cuando transporte la unidad.

## MANGUERA DE ALTA PRESIÓN

La manguera de alta presión incluida con esta unidad es liviana, flexible y duradera. Cuando no esté en uso, la manguera se puede guardar en el retenedor de manguera.

## SALIDA DE ALTA PRESIÓN

Conexión para manguera de alta presión.

## ENTRADA DE AGUA

Conexión para manguera de jardín.

## DEPÓSITO DE COMBUSTIBLE

Rellene con gasolina normal sin plomo. No llene demasiado.

## INTERRUPTOR DE ENCENDIDO/APAGADO DE COMBUSTIBLE

Enciende y apaga el suministro de combustible al motor.

## AHOGO

Prepara un motor frío para arrancar.

## BOQUILLAS

Con esta unidad se incluyen boquillas de diferentes tamaños que se pueden usar para diferentes aplicaciones de limpieza.

## DEPÓSITO DE DETERGENTE (solo WPX3600 y WPX3800)

Succiona detergente en la corriente de baja presión y se enciende automáticamente cuando se usa la boquilla de jabón negro. Úselo solo con detergente apto para lavadoras a presión.

## TAPÓN DE DRENAJE DE ACEITE

Se utiliza para drenar el aceite del motor.

## INTERRUPTOR DE ENCENDIDO/APAGADO DEL MOTOR

Gire el interruptor a la posición ON antes de usar el arrancador de retroceso. Gire a la posición APAGADO para detener el motor.

## CONECTOR DE CONEXIÓN DE MANGUERA DE DETERGENTE

Conecta el tanque de detergente a la bomba.

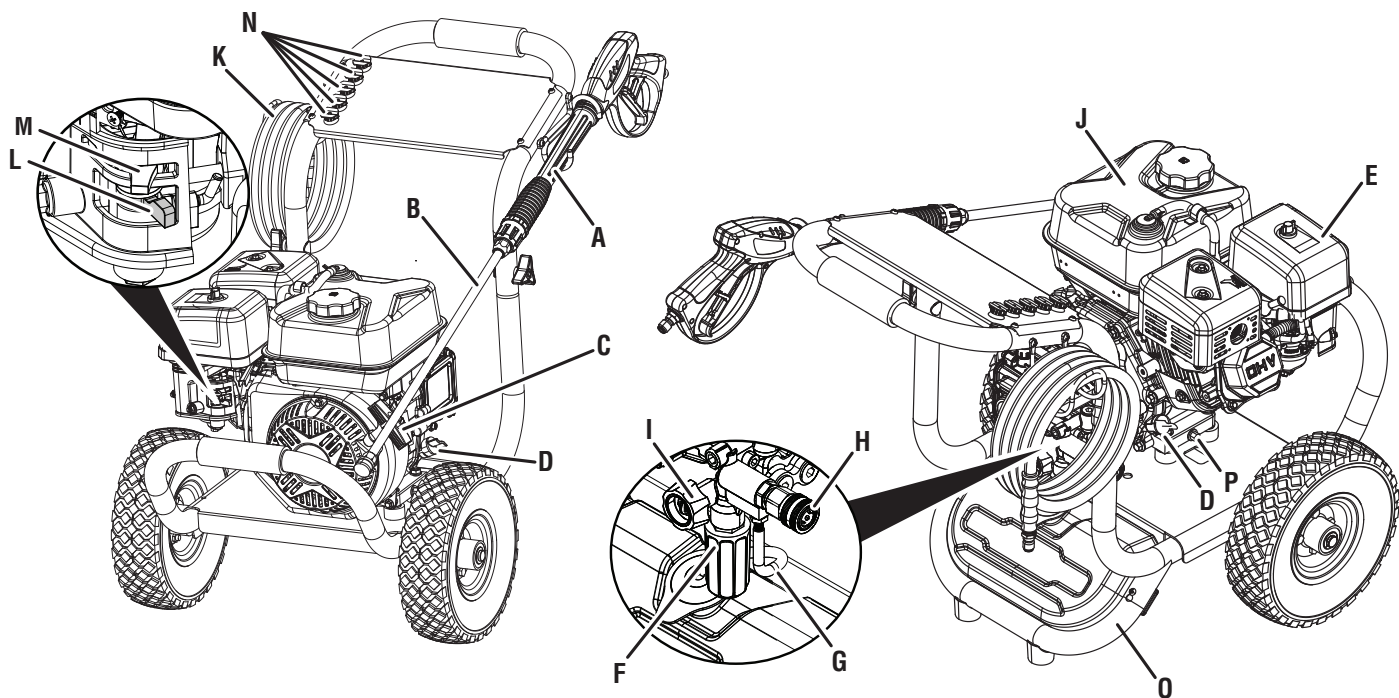
## HERRAMIENTA DE LIMPIEZA DE BOQUILLAS

Se utiliza para limpiar boquillas.

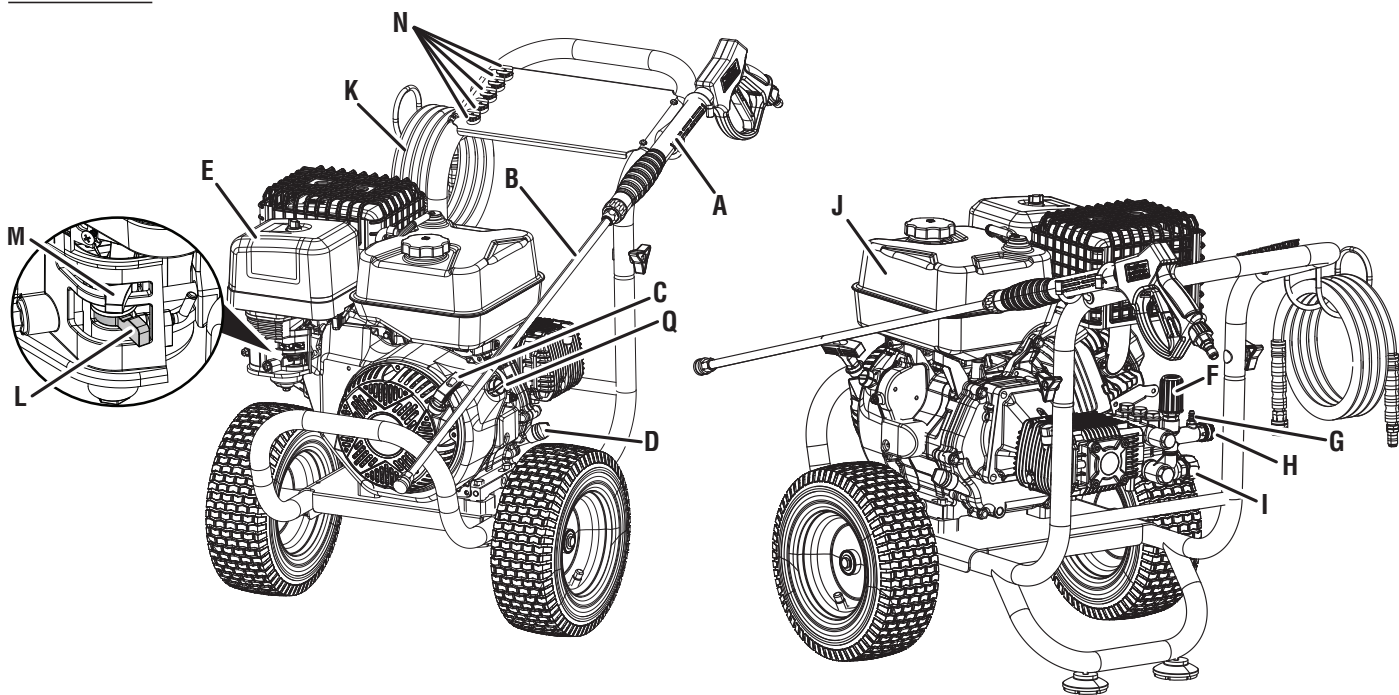
# COMPONENTES

FIG. 1

WPX3600 and WPX3800



WPX4400



A - Pistola rociadora

B - Lanza de pistola

C - Arrancador de retroceso

D - Varilla de nivel de aceite/cuello de llenado

E - Filtro de aire

F - Bomba

G - Espiga de conexión de la manguera de detergente

H - Salida de alta presión

I - Entrada de agua

J - Tanque de combustible

K - Manguera de alta presión

L - Interruptor de encendido/apagado de combustible

M - Estrangulador

N - Boquillas

O - Depósito de detergente (WPX3600/ WPX3800)

P - Tapón de drenaje de aceite

Q - Interruptor de encendido/apagado del motor



# MONTAJE

## CONTENIDO DE LA CAJA

**⚠ PRECAUCIÓN** Peligro de peso. Siempre tenga ayuda cuando levante la hidrolimpiadora.

- Abra la caja con cuidado.
- Retire y guarde el contenido de la caja.
- Retire y deseche la bandeja de embalaje.
- Despliegue la parte superior de la bolsa de plástico que encierra la hidrolavadora.
- Corte con cuidado las esquinas verticales de la caja.
- Recicle o deseche los materiales de embalaje correctamente.

### Contenido de la caja

Artículo	Cantidad
• Manual de usuario	1
• Guía de inicio rápido	1
• Botella aceite 10W-30	1
• Punta de embudo de botella	1
• Pistola rociadora	1
• Lanza de pistola pulverizadora	1
• Encargarse de	1
• Manguera de alta presión	1
• Pie de montaje	1
• Herramienta de limpieza de boquillas	1
• Boquillas de pulverización	5
• Tuerca, M8	1
• Soporte superior de pistola pulverizadora	1
• Remache	1
• Soporte inferior de pistola pulverizadora	1
• Perno y tuerca, M6	1
• Lavadora	2
• Varilla de nivel de aceite de la bomba	1

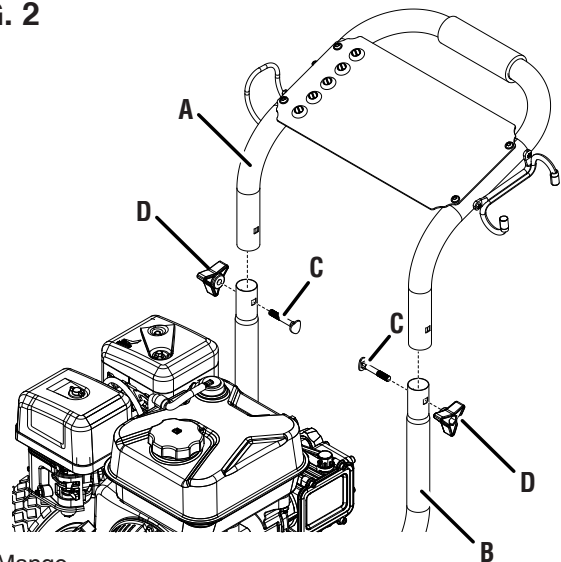
Si falta alguna pieza, comuníquese con nuestro equipo de servicio en [service@wpowereq.com](mailto:service@wpowereq.com) o llame al 1-855-944-3571.

## INSTALE EL MANGO

*Vea la figura 2.*

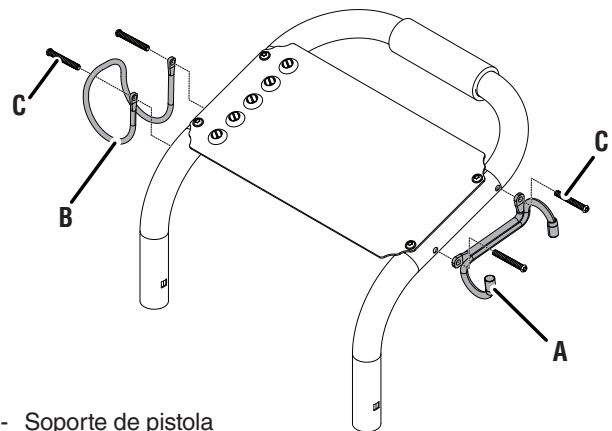
- El mango se envía en la posición de almacenamiento. Antes de usar, mueva el mango a la posición de funcionamiento.
- Gire la manija para que quede de espaldas a la lavadora a presión. Instalar en el marco inferior.
- Inserte el perno a través del marco y asegúrelo con la perilla de la manija.

FIG. 2



- A - Mango
- B - Marco inferior
- C - Perno
- D - Perilla de la manija

FIG. 3



- A - Soporte de pistola
- B - Soporte de manguera de alta presión
- C - Pernos

## CONECTE LOS SOPORTES DE LA MANIJA

*Vea la figura 3.*

Conecte el soporte de la pistola rociadora y el soporte de la manguera de alta presión en el mango con una llave y los pernos suministrados.

## INSTALE EL SOPORTE DE PISTOLA SUPERIOR

*Vea la figura 4.*

Desde la parte delantera de la unidad, retire el perno, la arandela y la tuerca de la parte superior derecha. Vuelva a instalar con el soporte superior de la pistola rociadora. Desde la parte trasera de la unidad, instale el remache de empuje como se muestra.

# MONTAJE

## INSERTAR BOQUILLAS DE PULVERIZACIÓN

Vea la figura 4.

Inserte las boquillas de colores en los soportes correspondientes en la parte superior de la lavadora a presión (se muestra la WPX3600 shown). Coloque el mango del gatillo y la manguera en sus soportes de almacenamiento designados.

## INSTALE LA VARILLA DE MEDICIÓN DE LA BOMBA

Vea la figura 5.

Esta lavadora a presión se envía con una tapa de aceite temporal en la bomba y debe retirarse y reemplazarse con la varilla medidora de la bomba. El nivel de aceite debe ser suficiente de fábrica y aparecer en el nivel del punto rojo en la mirilla.

- Asegúrese de que la lavadora a presión esté sobre una superficie estable y nivelada.
- Ubique la varilla medidora de la bomba en las piezas sueltas.
- Localice la tapa temporal de la bomba.
- Afloje y retire la tapa temporal y deséchela.
- Inserte la varilla medidora de la bomba en la bomba. Tenga cuidado de no cruzar los hilos. No apriete demasiado.

## CONECTAR LA LANZA AL PISTOLA ROCIADORA

Vea la figura 6.

- Empuje la lanza en la pistola rociadora y gírela en el sentido de las agujas del reloj para apretar. **No apriete demasiado.**
- Tire suavemente de la lanza para asegurarse de que esté asegurada.

## CONEXIÓN DE LA MANGUERA DE ALTA PRESIÓN A LA PISTOLA PULVERIZADORA

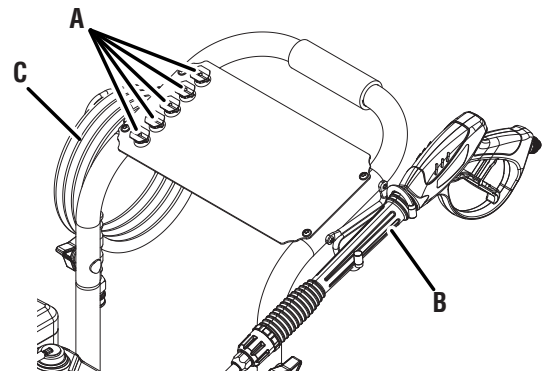
Vea la figura 7.

- Tire hacia atrás del collarín de la manguera de alta presión y empuje firmemente el racor de la manguera en la pistola rociadora.
- Enrosque el collar en la pistola rociadora y apriételo firmemente.

**NOTA:** Tenga cuidado de no dañar las roscas de la pistola rociadora, ya que podría causar fugas durante el uso.

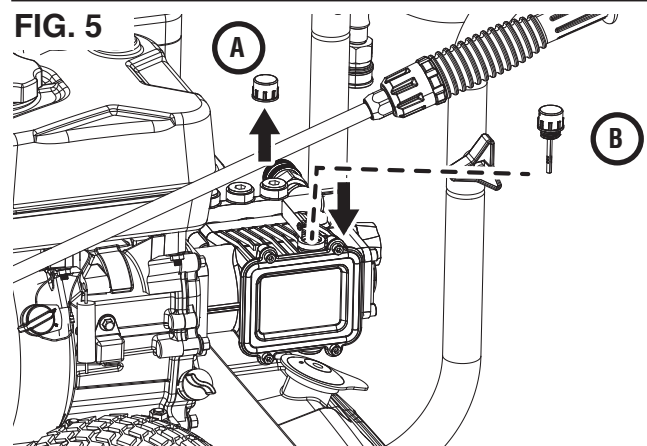
- Tire suavemente de la manguera para asegurarse de que esté asegurada.

FIG. 4



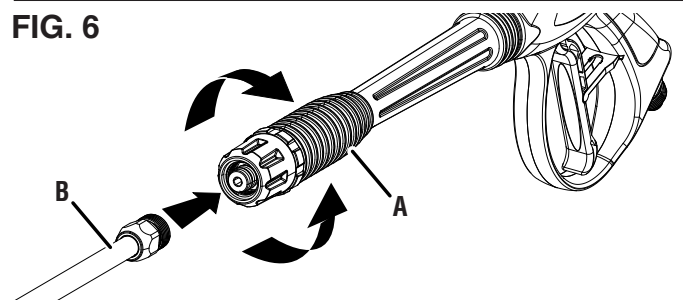
- A - Portaboquillas
- B - Manija del gatillo
- C - Manguera

FIG. 5



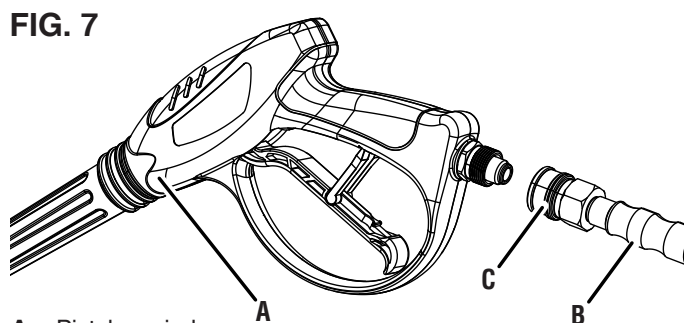
- A - Tapa de aceite temporal
- B - Varilla de medición de la bomba

FIG. 6



- A - Pistola rociadora
- B - Lanza de pistola

FIG. 7



- A - Pistola rociadora
- B - Manguera de alta presión
- C - Cuello

# MONTAJE

## CONEXIÓN DE LA MANGUERA DE ALTA PRESIÓN A LA LAVADORA A PRESIÓN

Vea la figura 8.

- Desenrolle y enderece la manguera de alta presión para eliminar cualquier doblez o torcedura.
- Tire hacia atrás del collarín de la manguera de alta presión y empuje firmemente el accesorio de la manguera en la salida roscada de la lavadora a presión.
- Atornille el collar en la salida y apriete firmemente.

**NOTA:** Tenga cuidado de no dañar las roscas de la salida, ya que podría causar fugas en la unidad durante el uso.

- Tire suavemente de la manguera para asegurarse de que esté asegurada.

## CONEXIÓN DE UNA MANGUERA DE JARDÍN A LA LAVADORA A PRESIÓN

Vea la figura 9.

### AVISO

Siga las normas y ordenanzas locales cuando conecte su lavadora a presión a un suministro de agua. Algunas jurisdicciones pueden prohibirle conectarse directamente al agua potable pública para evitar la posibilidad de que los productos químicos regresen al sistema. Por lo general, se permiten las conexiones realizadas a través de un dispositivo de prevención de reflujo o un tanque receptor.

### AVISO

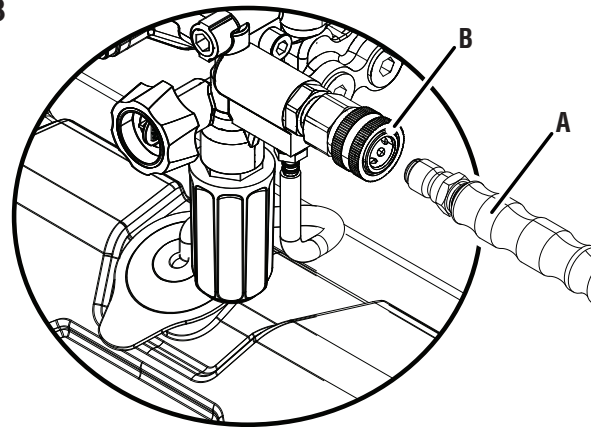
El agua utilizada en este dispositivo debe provenir de una tubería principal de agua. **NO** use este dispositivo con agua de un lago, piscina, estanque, etc. **NUNCA** use agua caliente con este producto.

- Cierre completamente el grifo de agua.
- Desenrolle y enderece la manguera de jardín para eliminar cualquier doblez o torcedura.
- Enjuague el agua a través de la manguera durante varios segundos para eliminar los desechos y luego cierre el grifo nuevamente.
- Inspeccione la pantalla dentro de la entrada de agua en busca de daños u obstrucciones. Limpie o reemplace según sea necesario. **NUNCA** conecte una manguera de jardín sin la pantalla en su lugar.
- Inserte la manguera de jardín en la entrada de agua.
- Enrosque el collar de la entrada en la manguera de jardín. Apriete firmemente.

### AVISO

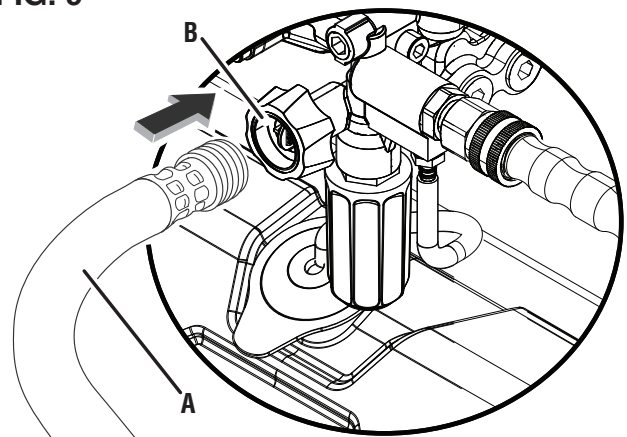
SIEMPRE abra el suministro de agua antes de encender la lavadora a presión. Hacer funcionar la bomba sin agua dañará los componentes internos y hará que la lavadora a presión deje de funcionar.

FIG. 8



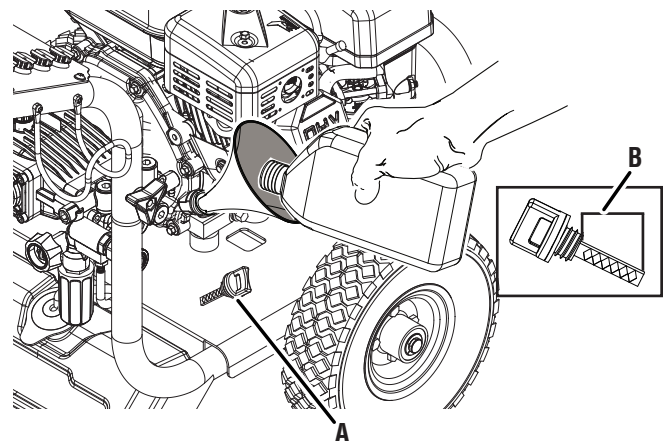
A - Manguera de alta presión  
B - Salida de alta presión

FIG. 9



A - Manguera de jardín  
B - entrada de agua

FIG. 10



A - Tapón de aceite/varilla  
B - Área sombreada

## VISIÓN GENERAL

Esta lavadora a presión puede producir niveles muy altos de presión de agua y se puede usar para una variedad de aplicaciones de limpieza, como la limpieza de cubiertas y pasillos, el lavado de vehículos y equipos; y quitar la suciedad de los exteriores y las cercas de las casas.

# OPERACIÓN

## ADICIÓN / COMPROBACIÓN DE ACEITE

Vea la figura 10.

### AVISO

ESTA UNIDAD SE HA ENVIADO SIN ACEITE. No intente arrancar o arrancar el motor antes de que haya recibido el servicio adecuado con el aceite recomendado. No agregar aceite de motor antes de arrancar resultará en daños graves al motor.

### AVISO

El uso de aceite de 2 tiempos/ciclo u otros tipos de aceite no aprobados puede causar daños graves al motor que no están cubiertos por la garantía.

El tipo de aceite recomendado incluido para uso típico es aceite de motor 10W-30. Si utiliza la lavadora a presión en temperaturas extremas, consulte el siguiente cuadro.

Tipo de aceite de motor recomendado								
		10W-30						
	5W-30					10W-40		
	5W-30 Sintético							
°F	-20	0	20	40	60	80	100	120
°C	-28.9	-17.8	-6.7	4.4	15.6	26.7	37.8	48.9
	Temperatura ambiente							

- En una superficie nivelada, retire la varilla medidora de aceite.

**NOTA:** Hay una varilla medidora de aceite/cuello de llenado en ambos lados de la unidad. Cualquiera de los dos se puede utilizar para comprobar o agregar aceite.

- Con el aceite suministrado y la punta del embudo, agregue aceite en la boca de llenado de aceite.

**NOTA:** Dado que el aceite residual de fábrica puede permanecer en el motor, agregue el aceite gradualmente para evitar sobrellenar el motor. Consulte Comprobación del nivel de aceite del motor en la sección Mantenimiento.

- Reemplace la varilla medidora de aceite y apriete a mano.

## REQUISITOS DE COMBUSTIBLE

### AVISO

No utilice combustible E15 o E85 en este producto. Los daños al motor o al equipo causados por combustible viejo o el uso de combustibles no aprobados (como mezclas de etanol E15 o E85) no están cubiertos por la garantía. Utilice únicamente gasolina sin plomo que contenga hasta un 10% de etanol.



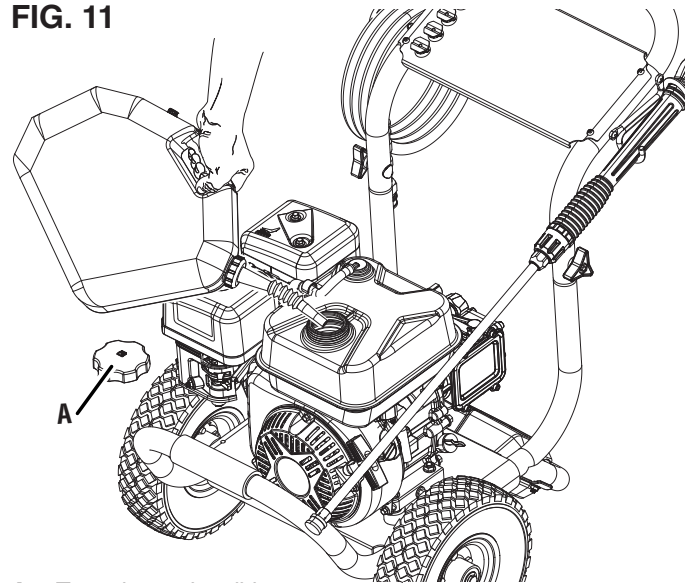
- Gasolina LIMPIA, FRESCA, sin plomo, 87–93 octanos. NUNCA use gasolina VIEJA, VACIADA o CONTAMINADA.
- Se acepta hasta un 10% de etanol (gasohol) (cuando esté disponible; se recomienda combustible sin etanol).
- NO use E85 o E15.
- NO use una mezcla de gasóleo.
- NO modifique el motor para que funcione con combustibles alternativos.
- NO cargue combustible en interiores.
- NO cree una chispa o llama mientras reposta.

## USANDO ESTABILIZADOR DE COMBUSTIBLE

Agregar un estabilizador de combustible (no incluido) extiende la vida útil del combustible y ayuda a prevenir la formación de depósitos que pueden obstruir el sistema de combustible. Siga las instrucciones de uso del fabricante.

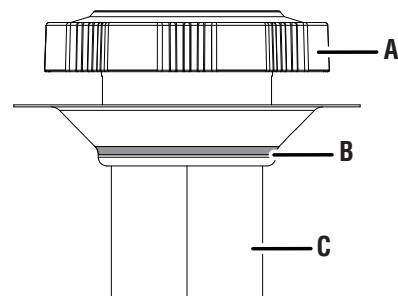
Mezcle siempre la cantidad correcta de estabilizador de combustible con gasolina en un recipiente de gasolina aprobado antes de cargar combustible en la lavadora a presión. Haga funcionar la lavadora a presión durante

FIG. 11



A - Tapa de combustible

FIG. 12



A - Tapa de combustible  
B - Filtro de pantalla  
C - Nivel máximo de combustible



# OPERACIÓN

dos minutos para permitir que el estabilizador trate todo el sistema de combustible.

## AGREGAR GASOLINA

Vea la figuras 11 y 12.

**PELIGRO** Riesgo de incendio y explosión. No llene demasiado el tanque de combustible. Rellene solo hasta la parte inferior del cuello de llenado. El sobrellenado puede hacer que el combustible se derrame sobre el motor y cause un riesgo de incendio o explosión.

**PELIGRO** Riesgo de incendio y explosión. Nunca reposte la lavadora a presión mientras el motor está en marcha. Siempre apague el motor y deje que la lavadora a presión se enfríe durante dos minutos antes de repostar.

**ADVERTENCIA** Riesgo de incendio y explosión. Nunca use un recipiente de gasolina, tanque de gasolina o cualquier otro elemento de combustible que esté roto, cortado, rasgado o dañado.

**AVISO** Llene el tanque únicamente con un recipiente de gasolina aprobado. Asegúrese de que el recipiente de gasolina esté limpio por dentro y en buenas condiciones para evitar la contaminación del sistema de combustible.

- Apague la lavadora a presión y deje que se enfríe durante un mínimo de dos minutos antes de cargar combustible.
- Coloque la hidrolimpiadora a presión en una superficie plana en un área bien ventilada.
- Limpie el área alrededor de la tapa de combustible y retire la tapa lentamente.
- Agregue lentamente el combustible recomendado. No llene demasiado. Llene solo hasta la parte superior del filtro de malla de combustible visible en el cuello de llenado.
- Instale la tapa de combustible y apriétela hasta que escuche un clic.

**AVISO** El combustible puede dañar la pintura y el plástico. Tenga cuidado al llenar el tanque de combustible. Los daños causados por el combustible derramado no están cubiertos por la garantía.

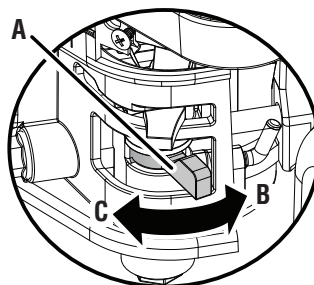
**AVISO** Limpie los residuos del filtro de malla de combustible antes y después de cada repostaje. Quite el filtro de malla de combustible comprimiéndolo ligeramente mientras lo saca del tanque de combustible.

## UBICACIÓN DE LA LAVADORA A PRESIÓN

**PELIGRO** Peligro de asfixia. Nunca opere la lavadora a presión en un área cerrada. El escape del motor contiene monóxido de carbono que puede matar en minutos. Solo opere la lavadora a presión en exteriores y lejos de ventanas, puertas y conductos de ventilación. Coloque la lavadora a presión en un área bien ventilada. NO coloque la lavadora a presión cerca de conductos de ventilación o entradas donde los gases de escape puedan entrar en espacios ocupados o confinados. Considere cuidadosamente las corrientes de aire y viento al colocar la lavadora a presión.

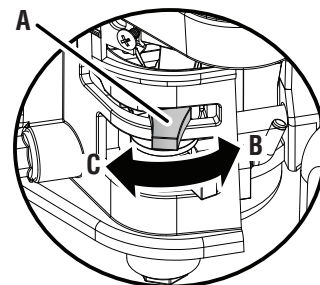
Esta lavadora a presión debe tener al menos 5 pies. (1,5 m) de espacio libre de material combustible. Deje al menos 3 pies (0,91 m) de espacio libre en todos los lados de la lavadora a presión para permitir un enfriamiento, mantenimiento y servicio adecuados. .

FIG. 13



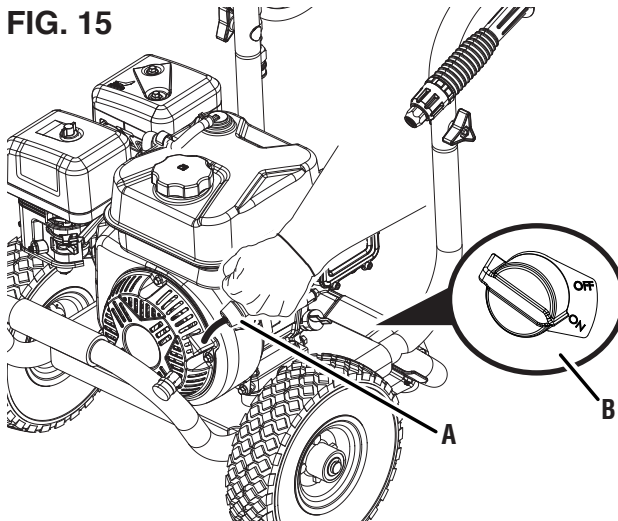
A - Palanca de combustible  
B - Encendido  
C - Apagado

FIG. 14



A - Estrangulador  
B - Ejecutar  
C - Inicio

FIG. 15



A - Mango de retroceso  
B - Interruptor de encendido/apagado



# OPERACIÓN

## ANTES DE ENCENDER EL MOTOR

Verificalo:

- La hidrolimpiadora se coloca en un lugar apropiado.
- El unidad está sobre una superficie seca, plana y nivelada.
- El motor está lleno de aceite.

## ARRANQUE DEL MOTOR

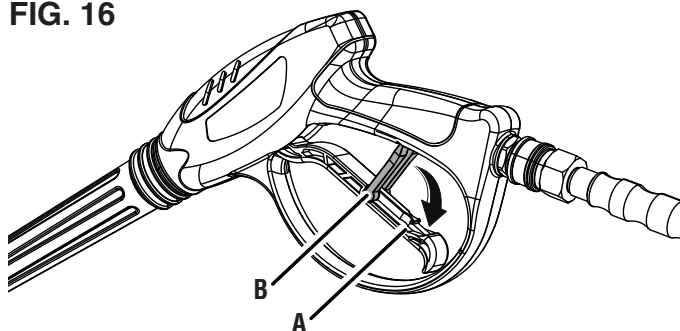
Vea la figuras 13 a 15.

**⚠ ADVERTENCIA** Siempre use anteojos de seguridad o anteojos de seguridad con protectores laterales y, según sea necesario, un protector facial completo y protección completa para los oídos cuando utilice este producto.

**AVISO** Hacer funcionar la unidad durante más de un minuto sin rociar agua hace que se acumule calor en la bomba. En caso de que la bomba se caliente demasiado, se abrirá una válvula de alivio térmico para liberar el agua caliente. Hacer funcionar la unidad sin rociar agua puede dañar los componentes de la bomba y anulará la garantía.

- Encienda el suministro de agua.
- Apriete el gatillo de la pistola rociadora para purgar todo el aire de la bomba y la manguera. Esto puede tomar varios minutos.

FIG. 16



A - Gatillo  
B - Bloqueo de seguridad

- No arranque el motor hasta que salga un chorro de agua constante por la boquilla.
- Gire el interruptor del motor a la posición ON.
- Gire la válvula de combustible a la posición ON.
- Si el motor está frío, mueva la palanca del estrangulador a la posición CHOKE.
- Tire del cable de arranque lentamente hasta sentir resistencia y luego tire rápidamente.

**NOTA:** Si el motor arranca brevemente y luego se apaga, apriete el gatillo de la pistola rociadora para aliviar la presión antes de intentar arrancar el motor nuevamente.

## SELECCIÓN DE BOQUILLAS

	LAVADO A ALTA PRESION				LAVADO A BAJA PRESIÓN
	ROJO	AMARILLO	VERDE	BLANCO	JABÓN
	0°	15°	25°	40°	
Hormigón, Ladrillo, Mampostería	!	!	✓	✓	✓
Revestimiento, Canales, Hogar	X	!	!	✓	✓
Cercado, Cubierta, Patio	X	!	!	✓	✓
Equipos para césped y jardín, barcos, caravanas	X	!	!	✓	✓
✓ Boquilla recomendada	! Utilizar con precaución			X No utilice	

# OPERACIÓN

- Una vez que arranque el motor, mueva la palanca del estrangulador a la posición RUN. Deje que el motor se caliente un poco antes de usarlo.

## DETENER LA LAVADORA A PRESIÓN

Durante el funcionamiento normal, siga los siguientes pasos para detener la lavadora a presión:

- Enganche el seguro del gatillo de la pistola rociadora en la posición segura.
- Mueva el interruptor de apagado / encendido del motor a la posición de apagado.
- Cierre la válvula de combustible.
- Apague el suministro de agua.
- Desactive el bloqueo del gatillo y presione el gatillo durante 15 segundos para despresurizar el sistema.
- Desconecte la manguera de jardín de la entrada de agua.
- Complete todos los pasos de la sección DESPUÉS DE CADA USO de este manual.

## DURANTE UNA EMERGENCIA

Si hay una emergencia y la lavadora a presión debe detenerse rápidamente, empuje el interruptor de control del motor a la posición de APAGADO inmediatamente.

## USO DE LA PISTOLA DE PULVERIZACIÓN

Vea la figura 16.

**⚠ ADVERTENCIA** Sostenga la pistola rociadora y la lanza con las dos manos (una mano para apretar el gatillo y la otra para estabilizar la pistola) hasta que se acostumbre al “retroceso”. No pierda el control de la pistola rociadora. Si lo hace, podría lesionarse a usted mismo y a otras personas.

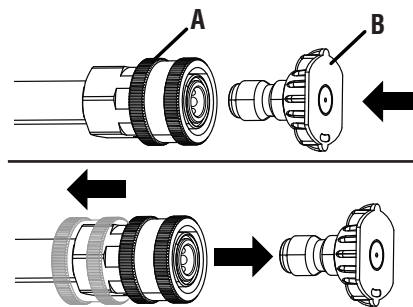
- Ponga en marcha la lavadora a presión.
- Libere el bloqueo de seguridad empujándolo hacia abajo en la ranura del gatillo.
- Apriete y sostenga el gatillo para iniciar el flujo de agua.
- Suelte el gatillo para detener el flujo de agua.
- Bloquee el gatillo empujándolo hacia arriba hasta su posición original.

**NOTA:** Apriete el gatillo para asegurarse de que esté bloqueado y no se mueva. SIEMPRE mantenga la pistola rociadora bloqueada cuando no esté en uso.

## SELECCIÓN DE BOQUILLAS

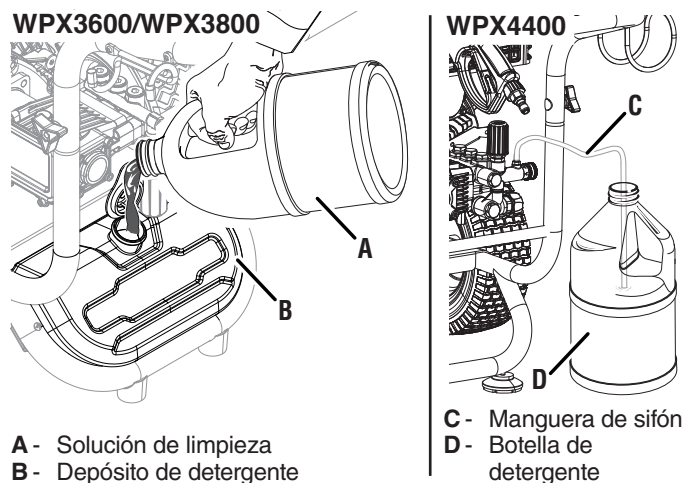
El acoplador de conexión rápida en la lanza rociadora permite cambiar entre boquillas mientras la lavadora a presión está en funcionamiento.

FIG. 17



A - Collarín de conexión rápida  
B - Boquilla

FIG. 18



A - Solución de limpieza  
B - Depósito de detergente

C - Manguera de sifón  
D - Botella de detergente

**⚠ ADVERTENCIA** Siempre active el seguro del gatillo antes de cambiar una boquilla.

**AVISO** Utilice únicamente las boquillas suministradas con las hidrolimpiadoras a presión. El uso de otras boquillas puede afectar el rendimiento y anular la garantía. Para boquillas de repuesto, llame al (855) 944-3571.

## CAMBIAR LA BOQUILLA

Vea la figura 17.

Tire hacia atrás del collar de conexión rápida en el extremo de la lanza rociadora. Inserte la boquilla y luego suelte el collar. Tire de la boquilla para asegurarse de que esté asegurada.

## CONSEJOS PARA PULVERIZAR

Para la mayor parte de la limpieza, mantenga la boquilla de 20 a 61 cm (8 a 24 pulg.) Alejada de la superficie de limpieza.

- Puede dañar la superficie de limpieza si rocía demasiado cerca, especialmente con boquillas de alta presión.
- Cuando comience a rociar, comience más lejos y acérquese para evitar dañar la superficie.
- Para evitar daños a las llantas, deje al menos 6 pulgadas (15 cm) entre una llanta y la boquilla.

# OPERACIÓN

## USO DE DETERGENTE

*Vea la figura 18.*

El uso de detergentes puede reducir drásticamente el tiempo de limpieza y ayudar a eliminar las manchas difíciles. Muchos detergentes están personalizados para su uso en lavadoras a presión para tareas de limpieza específicas. Al rociar detergente, el detergente se diluirá 1:12. Se consumirán aproximadamente 621 ml (21 oz) de detergente del tanque por cada minuto rociado.

### AVISO

Utilice únicamente detergentes diseñados para lavadoras a presión. Los detergentes para lavadoras a presión son tan espesos como el agua. El uso de detergentes más espesos, como jabón para platos, obstruirá el sistema de inyección de productos químicos. No utilice detergentes domésticos, ácidos, alcalinos, blanqueadores, disolventes, material inflamable o soluciones de grado industrial que puedan dañar la bomba o causar daños a la propiedad.

Prepare la solución de limpieza como se indica en la botella de solución. Pruebe siempre en un área poco visible antes de comenzar. Puede limpiar eficazmente las superficies combinando la acción química de los detergentes con enjuagues a alta presión. En superficies verticales, aplique el detergente comenzando por la parte inferior y continúe hacia arriba. Este método evita que el detergente se deslice hacia abajo y provoque rayas. Comience a enjuagar a alta presión en la parte inferior y continúe hacia arriba. En manchas particularmente difíciles, use un cepillo en combinación con detergentes y enjuague a alta presión.

- **Para WPX3600 y WPX3800**, llene el depósito de detergente con solución limpiadora.
- **Para WPX4400**, conecte la manguera del sifón al conector de la lavadora a presión. Inserte la manguera del sifón en la botella de solución de limpieza.
- Instale la boquilla de detergente (negra) en la lanza rociadora. El detergente solo se extraerá a través de la bomba cuando la boquilla de detergente negra esté colocada en el extremo de la lanza rociadora.
- Asegúrese de que el suministro de agua esté ENCENDIDO. Encender el motor. Apriete el gatillo para rociar la solución de detergente.

### AVISO

NUNCA use lejía en el tanque de detergente. Dañará la bomba y anulará la garantía.

- Use trazos largos y uniformes superpuestos para aplicar el jabón. Deje que el jabón penetre entre 3 y 5 minutos antes de enjuagar. No permita que el jabón se seque en la superficie antes de enjuagar. Vuelva a aplicar jabón si es necesario para mantener una superficie húmeda para que el jabón penetre.

## DETERGENTE SISTEMA DE LAVADO

El sistema de succión de detergente se puede lavar quitando el tubo de succión del tanque o botella de

detergente y colocando el tubo en un balde de agua fresca. En los WPX3600 y WPX3800, solo realice un lavado del sistema cuando el tanque de detergente esté vacío.

- **Para WPX3600 y WPX3800**, con el suministro de agua ENCENDIDO, la boquilla negra conectada a la lanza de la pistola rociadora y el motor en marcha, desconecte el tubo de succión del fondo del tanque de detergente.
- **For WPX4400**, con el suministro de agua ENCENDIDO, la boquilla negra conectada a la lanza de la pistola rociadora y el motor en marcha, retire la manguera del sifón de la botella de detergente.
- Coloque el tubo de succión en un balde de agua limpia, desenganche el seguro del gatillo, luego presione el gatillo de la pistola rociadora para lavar el sistema.
- **Para WPX3600 y WPX3800**, enganche el seguro del gatillo y luego vuelva a instalar el tubo de succión en el tanque de detergente.

## DESPUÉS DE CADA USO

- APAGUE el motor y luego APAGUE el suministro de agua.
- Desactive el seguro del gatillo y presione el gatillo durante 15 segundos para despresurizar el sistema.
- Deje que la hidrolimpiadora se enfríe.
- Desconecte la manguera de alta presión y la manguera de entrada de agua.
- Drene las mangueras, la pistola rociadora y la extensión de la boquilla.
- Enganche el seguro del gatillo en la pistola rociadora.
- Limpie todo el agua restante con un trapo limpio y seco.
- Mientras la lavadora a presión está apagada, tire de la manija de retroceso de 5 a 6 veces. Esto debería eliminar la mayor parte del líquido restante dentro de la bomba.
- Guarde la lavadora a presión en un lugar limpio y seco.

## DESPUÉS DE CADA USO

- Bloquee el gatillo de la pistola rociadora.
- APAGUE el motor y luego APAGUE el suministro de agua.
- Desactive el seguro del gatillo y presione el gatillo durante 15 segundos para despresurizar el sistema.
- Deje que la hidrolimpiadora se enfríe.
- Desconecte la manguera de alta presión y la manguera de entrada de agua.
- Drene las mangueras, la pistola rociadora y la extensión de la boquilla.
- Enganche el seguro del gatillo en la pistola rociadora.

# OPERACIÓN

- Limpie todo el agua restante con un trapo limpio y seco.
- Mientras la lavadora a presión está apagada, tire de la manija de retroceso de 5 a 6 veces. Esto debería eliminar la mayor parte del líquido restante dentro de la bomba.
- Guarde la lavadora a presión en un lugar limpio y seco.

## TRANSPORTE

**⚠ PRECAUCIÓN** Peligro de peso. Siempre tenga ayuda cuando levante la hidrolimpiadora.

- Deje que la lavadora a presión se enfríe un mínimo de 30 minutos antes de transportarla.
- Utilice únicamente el marco fijo de la hidrolimpiadora a presión para levantar la unidad o sujetar cualquier

restricción de carga, como cuerdas o correas de sujeción. No intente levantar o asegurar la lavadora a presión sujetándola por ninguno de sus otros componentes.

- Mantenga la unidad nivelada durante el transporte para minimizar la posibilidad de fugas de combustible o, si es posible, drene el combustible o haga funcionar el motor hasta que el tanque de combustible esté vacío antes del transporte.
- Las ruedas de la hidrolimpiadora están diseñadas únicamente para el transporte manual. Las ruedas no son adecuadas para remolcar la hidrolimpiadora ni en carretera ni fuera de ella.

**⚠ PRECAUCIÓN** Peligro de incendio. No levante la lavadora a presión ni la coloque de lado. Se pueden producir fugas de combustible o aceite y se pueden producir daños en la lavadora a presión.

# MANTENIMIENTO

## PROGRAMA DE MANTENIMIENTO

**⚠ ADVERTENCIA** Desconecte la funda de la bujía de la bujía cuando realice el mantenimiento de la lavadora a presión.

El mantenimiento regular mejorará el rendimiento y extenderá la vida útil de la lavadora a presión. Siga los intervalos horarios o de calendario, lo que ocurra primero. Se requiere un servicio más frecuente cuando se opera en condiciones adversas como se indica a continuación.

Antes de cada uso	
	Revisar el aceite del motor y de la bomba.
	Revise la rejilla de entrada de agua y la junta.
	Limpie alrededor de la entrada de aire y el silenciador
Después de las primeras 5 horas	
	Cambia el aceite del motor
Después de las primeras 20 horas	
	Cambiar aceite de bomba
Después de 50 horas o cada temporada	
	Filtro de aire limpio
	Cambie el aceite del motor si opera bajo carga pesada o en ambientes calurosos
Después de 100 horas o cada temporada	
	Inspeccione / limpie el parachispas
	Inspeccione / limpie la bujía
	Inspeccione / ajuste el juego de válvulas *

Después de 300 horas	
	Reemplace la bujía
	Reemplazar filtro de aire

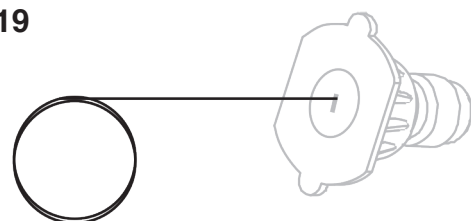
\* Recomiende que el servicio lo realice un distribuidor de servicio autorizado de Westinghouse.

## LIMPIEZA DE LA LAVADORA A PRESIÓN

**⚠ PRECAUCIÓN** NO rocíe la lavadora a presión con agua. El agua puede contaminar el sistema de combustible y puede ingresar al motor a través de las ranuras de enfriamiento y dañar el motor.

- Utilice un paño húmedo para limpiar las superficies exteriores de la lavadora a presión.
- Utilice un cepillo de cerdas suaves para eliminar la suciedad y el aceite.
- Utilice un compresor de aire (25 PSI) para limpiar la suciedad y los desechos de la lavadora a presión.
- Inspeccione todas las salidas de aire y las ranuras de enfriamiento para asegurarse de que estén limpias y sin obstrucciones.

FIG. 19



A - Herramienta de limpieza de boquillas  
B - Boquilla



# MANTENIMIENTO

## BOQUILLAS DE PULVERIZACIÓN DE LIMPIEZA

Vea la figura 19.

Separe la boquilla de la lanza pulverizadora. Utilice la herramienta de limpieza de boquillas incluida para aflojar cualquier partícula en la boquilla. Enjuague con agua.

## LIMPIEZA DEL FILTRO DE AIRE

Vea la figura 20.

**⚠ ADVERTENCIA** Peligro de incendio. Nunca use gasolina u otros solventes inflamables para limpiar el filtro de aire.

El filtro de aire debe limpiarse después de cada 50 horas de uso o cada seis meses (la frecuencia debe aumentarse si la hidrolimpiadora a presión se opera en un ambiente polvoriento).

- Coloque la hidrolavadora en una superficie nivelada y deje que el motor se enfríe durante varios minutos.
- Utilice sus dedos para desenroscar el tornillo de mariposa en la parte superior del conjunto del filtro de aire. Retire la tuerca de mariposa, luego retire el filtro de aire.
- Utilice aire comprimido para limpiar el filtro de aire de adentro hacia afuera.

**NOTA:** El elemento del filtro de aire de espuma exterior no debe quitarse. Si está roto, reemplace el filtro de aire.

## COMPROBACIÓN DEL NIVEL DE ACEITE DEL MOTOR

Vea la figura 21.

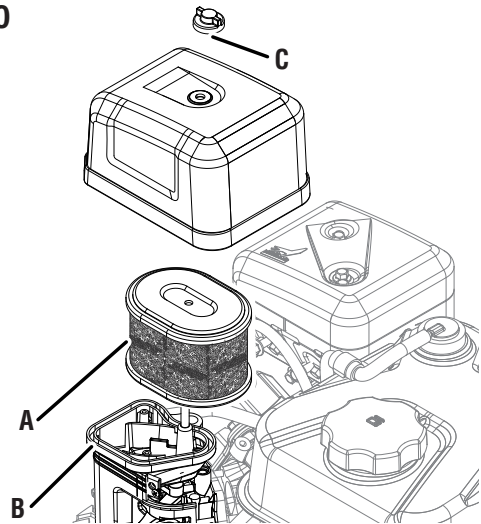
**⚠ PRECAUCIÓN** Evite el contacto de la piel con el aceite del motor. Use ropa y equipo de protección. Lave toda la piel expuesta con agua y jabón.

**AVISO** Utilice siempre el aceite de motor especificado. No utilizar el aceite de motor especificado puede provocar un desgaste acelerado y / o acortar la vida útil del motor.

Cuando utilice la lavadora a presión en condiciones extremas, sucias, polvorientas o en climas extremadamente cálidos, cambie el aceite con más frecuencia.

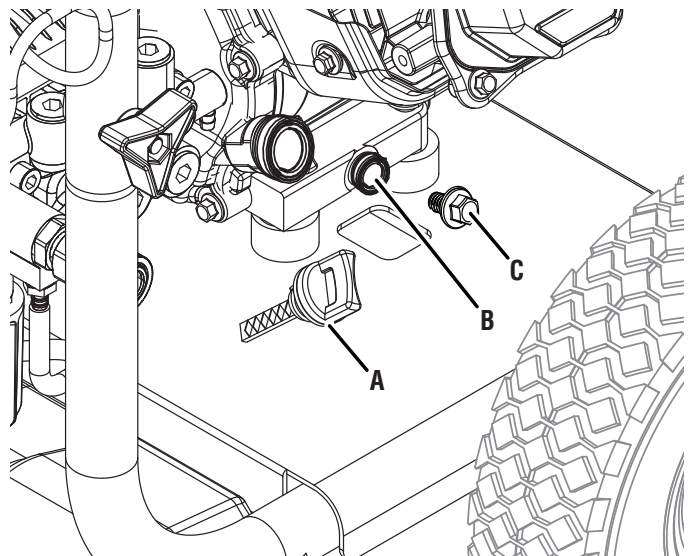
La temperatura ambiente del aire afectará el rendimiento del aceite del motor. Cambie el tipo de aceite de motor utilizado según las condiciones climáticas.

FIG. 20



- A - Filtro de aire
- B - Conjunto del filtro de aire
- C - Tuerca de mariposa

FIG. 21



- A - Tapón de aceite/varilla
- B - Orificio de drenaje
- C - Perno de drenaje de aceite

Recommended Engine Oil Type									
			10W-30						
	5W-30					10W-40			
	5W-30 Synthetic								
°F	-20	0	20	40	60	80	100	120	
°C	-28.9	-17.8	-6.7	4.4	15.6	26.7	37.8	48.9	
	Ambient temperature								

Compruebe el nivel de aceite del motor antes de cada uso.



# MANTENIMIENTO

- Coloque la hidrolavadora en una superficie nivelada y deje que el motor se enfríe durante varios minutos.
- Con un trapo húmedo, limpie alrededor de la varilla medidora de aceite.

**NOTA:** Hay una varilla medidora de aceite / cuello de llenado en ambos lados de la unidad. Cualquiera puede usarse para revisar o agregar aceite.

- Retire la varilla medidora de aceite y límpiela.
- Atornille la varilla de nivel completamente en el cuello de llenado de aceite. Retire la varilla y verifique que el nivel de aceite esté dentro del rango de operación seguro.
- Si es bajo, agregue gradualmente el aceite de motor recomendado y vuelva a verificar hasta que el nivel esté entre las marcas L y H de la varilla de medición. No llene demasiado. Si sobrepasa la marca de lleno (H) en la varilla, drene el aceite para reducir el nivel de aceite a la marca de lleno.
- Reemplace la varilla medidora de aceite y apriete a mano.

## CAMBIO DE ACEITE DEL MOTOR

*Vea la figura 21.*

Cuando utilice la lavadora a presión en condiciones extremas, sucias, polvorientas o en climas extremadamente cálidos, cambie el aceite con más frecuencia. Cambie el aceite mientras el motor aún está caliente por la operación.

- Coloque la hidrolavadora en una superficie nivelada y deje que el motor se enfríe durante varios minutos.
- Con un trapo húmedo, limpie alrededor de la varilla medidora de aceite. Retire la varilla y límpiela.
- Coloque un cárter de aceite (o recipiente adecuado) debajo del perno de drenaje de aceite.
- Con una llave de 10 mm, retire el perno de drenaje de aceite y deje que el aceite drene.
- Instale el perno de drenaje de aceite y apriételo firmemente.
- Vierta lentamente aceite en el cuello de llenado de aceite hasta que el nivel de aceite esté entre las marcas L y H de la varilla de nivel. Deténgase con frecuencia para comprobar el nivel de aceite. No llene demasiado.

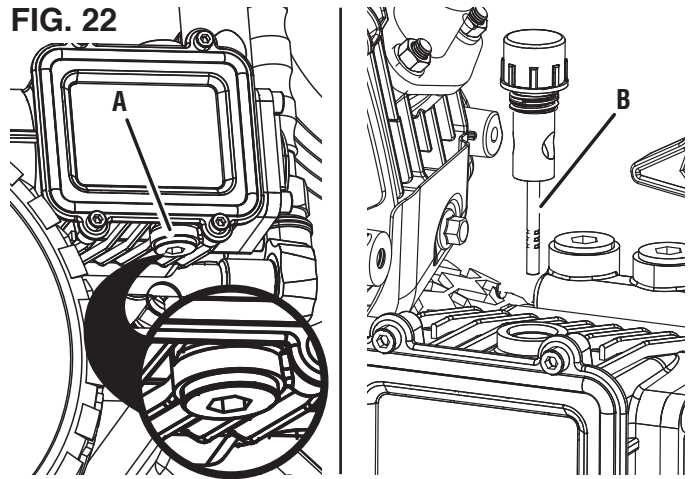
**Capacidad máxima de aceite:** 20 Oz. (0.6 Liter)

- Instale la varilla medidora de aceite y apriete a mano.

### AVISO

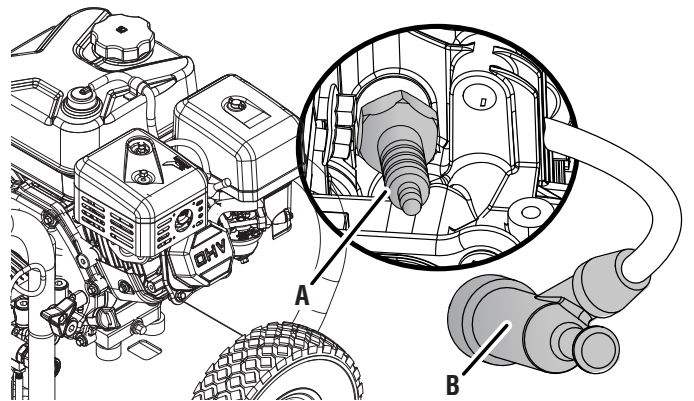
No contaminar. Siga las pautas de la EPA u otras agencias gubernamentales para la eliminación adecuada de materiales peligrosos. Consulte a las autoridades locales o al centro de recuperación.

**FIG. 22**



A - Oil pump drain bolt  
B - Oil pump dipstick

**FIG. 23**



A - Bujía  
B - Tapa de bujía

## CAMBIO DE ACEITE DE BOMBA

*Vea la figura 22.*

Después de 20 horas de uso, cambie el aceite de la bomba de agua. El aceite debe cambiarse una vez al año después. Al reemplazar el aceite de la bomba, utilice únicamente SAE85W-90.

**NOTA:** La capacidad de aceite de estas unidades es de aproximadamente 230 a 250 ml.

- Coloque un recipiente debajo de la bomba para recoger el aceite usado.
- Afloje y retire el perno de drenaje con casquillo hexagonal (8 mm en el WPX3600/3800; y 17 mm en el WPX4400. El casquillo no está incluido).
- Deje que el aceite se escurra completamente en el recipiente.
- Vuelva a colocar el perno de drenaje del casquillo y apriételo firmemente. No cruce el hilo.
- Llene el aceite hasta la marca roja ubicada en la ventana de detección de aceite.

# MANTENIMIENTO

## MANTENIMIENTO DE BUJÍAS

Vea la figura 23.

Inspeccione y limpie la bujía cada 100 horas de uso o cada seis meses. Reemplace la bujía después de 300 horas de uso o cada año.

- Coloque la hidrolavadora en una superficie nivelada y deje que el motor se enfríe.
- Retire la funda de la bujía tirando firmemente de la funda de la bujía directamente lejos del motor.
- Limpiar el área alrededor de la bujía.
- Retire la bujía con la llave de tubo de bujía incluida.

### AVISO

Nunca aplique ninguna carga lateral ni mueva la bujía lateralmente al retirar la bujía.

- Inspeccione la bujía. Reemplácelos si los electrodos están picados, quemados o si el aislante está roto. Utilice únicamente un enchufe de repuesto recomendado.

### Reemplazo de bujía recomendado

Westinghouse Número de modelo	Torch	NGK
WPX3600/3800/4400	F7TC	BP7ES

- Mida el espacio entre los electrodos de la bujía con una galga de espesores de alambre. Si es necesario, corrija el espacio doblando con cuidado el electrodo lateral.

**Espacio de la bujía:** 0.024 – 0.032 in. (0.60 – 0.80 mm)

- Instale con cuidado la bujía apretándola con los dedos, luego apriete 3/8 a 1/2 vuelta adicional con la llave para bujías.
- Coloque la funda de la bujía.

## SERVICIO DE APAGACHISPAS

Vea la figuras 24 y 25.

Deje que el silenciador se enfríe completamente antes de dar servicio al parachispas. Revise y limpie el parachispas cada 100 horas de uso o cada temporada. Si no se limpia el parachispas, se degradará el rendimiento del motor.

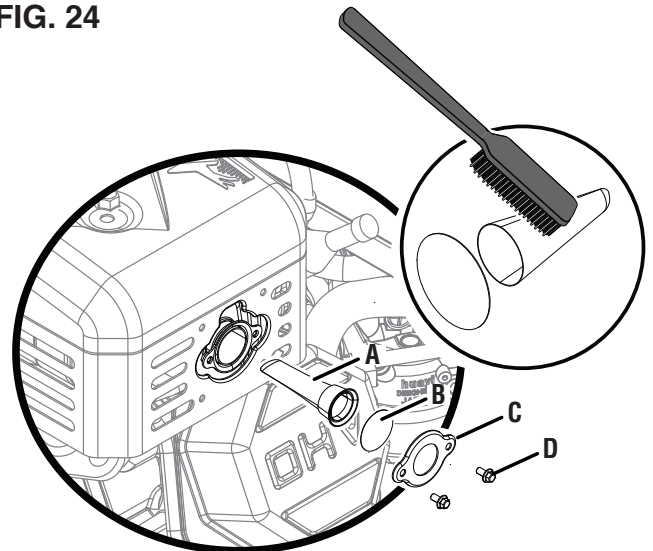
- Coloque la lavadora a presión en una superficie nivelada.
- Retire con cuidado los depósitos de carbón de la pantalla del parachispas con un cepillo de alambre. El parachispas debe estar libre de roturas y roturas. Reemplace el parachispas si está dañado.

## DRENAJE DEL BOWL FLOTADOR

Vea la figura 24.

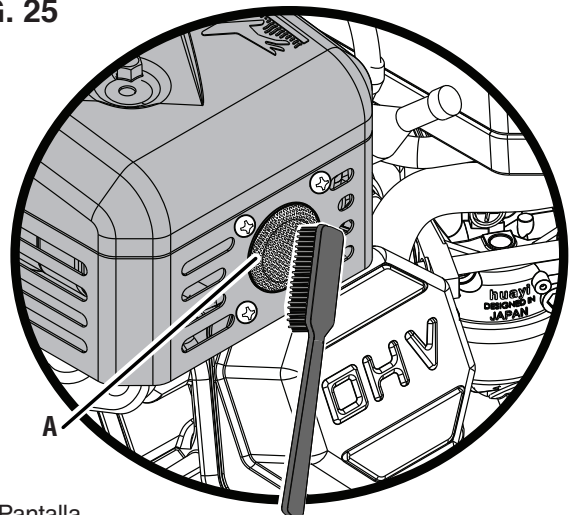
- Gire la válvula del tanque de combustible a la posición de APAGADO.

FIG. 24



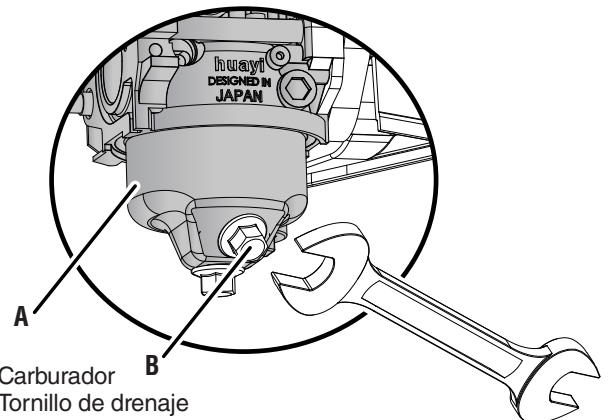
- A - Parachispas
- B - Pantalla
- C - Soporte
- D - Tornillos

FIG. 25



- A - Pantalla

FIG. 26



- A - Carburador
- B - Tornillo de drenaje

- Localice el tornillo de drenaje en la parte inferior del recipiente del flotador del carburador.

# MANTENIMIENTO

- Coloque un recipiente de gasolina apropiado debajo del tornillo de drenaje para recoger el combustible drenado.
- Afloje el tornillo de drenaje del recipiente del flotador y deje que se drene el combustible. Apriete el tornillo de drenaje del recipiente del flotador.

## DRENAJE DEL TANQUE DE COMBUSTIBLE

Vea la figura 27.

Si almacena la lavadora a presión durante más de seis meses, drene el tanque de combustible para evitar la separación del combustible, el deterioro y los depósitos en el sistema de combustible.

- Drene el recipiente del flotador.
- Desenrosque la tapa del tanque de combustible. Retire el filtro de malla de combustible comprimiéndolo ligeramente mientras lo saca del tanque.
- Con una bomba manual de gasolina disponible en el mercado (no incluida), extraiga la gasolina del tanque de combustible a un recipiente de gasolina aprobado. NO use una bomba eléctrica.
- Vuelva a instalar el filtro de malla de combustible y la tapa del tanque de combustible.
- Retire la bujía.
- Ponga una cucharadita de aceite de motor en el cilindro y tire de la manija de retroceso hasta que sienta resistencia. En esta posición, el pistón sube en su carrera de compresión y ambas válvulas están cerradas. Guardar el motor en esta posición ayudará a prevenir la corrosión interna. Vuelva a colocar el mango de retroceso con cuidado.
- Vuelva a instalar la bujía. Deje la funda de la bujía desconectada para evitar un arranque accidental..

## JUEGO DE VÁLVULAS

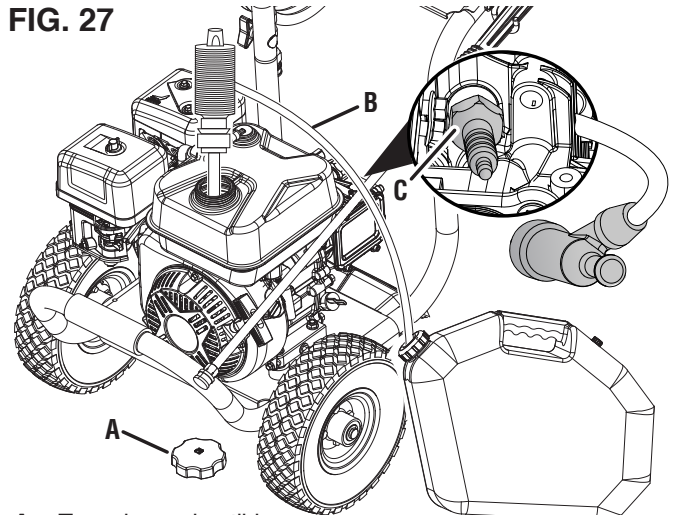
Vea la figuras 28 y 29.

### AVISO

La verificación y el ajuste de la holgura de las válvulas deben realizarse con el motor frío.

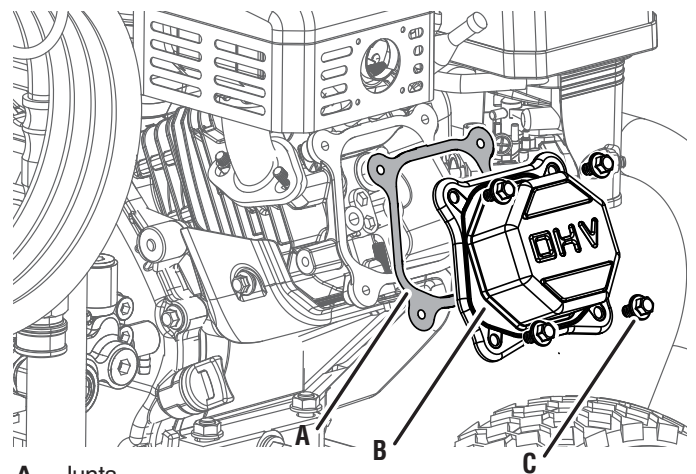
- Retire la tapa del balancín y retire con cuidado la junta. Si la junta está rota o dañada, debe reemplazarse.
- Retire la bujía para que el motor pueda girar más fácilmente.
- Gire el motor hasta el punto muerto superior (TDC) tirando lentamente de la palanca de retroceso. Mirando a través del orificio de la bujía, el pistón debe estar en la parte superior (ambas válvulas están cerradas).
- Ambos balancines deben estar sueltos en el PMS en la carrera de compresión. Si no es así, gire el motor 360 °.
- Inserte una galga de espesores entre el balancín y el vástago de la válvula para medir la holgura de la válvula.

FIG. 27



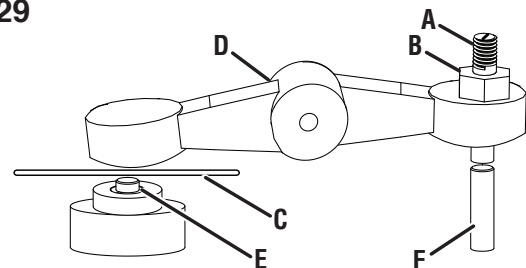
- A - Tapa de combustible
- B - Sifón
- C - Bujía

FIG. 28



- A - Junta
- B - Tapa de balancines
- C - Pernos

FIG. 29



- A - Tornillo de ajuste
- B - Contratuerca
- C - Galga de espesores
- D - Balancín
- E - Vástago de válvula
- F - Varilla de empuje

# MANTENIMIENTO

	Válvula de admisión	Válvula de escape
Juego de válvulas	0.0031 – 0.0047 in (0.08 – 0.12 mm)	0.0051 – 0.0067 in (0.13 – 0.17 mm)
Esfuerzo de torsión	8-12 N•m	8-12 N•m

- Si es necesario un ajuste, sostenga el pivote del balancín y afloje la tuerca de ajuste del pivote.
- Gire el pivote del balancín para obtener la holgura especificada. Sostenga el pivote del balancín y vuelva a apretar la tuerca de ajuste del pivote al par especificado.

## Esfuerzo de torsión: 106 inch-pound (12 N•m)

- Realice este procedimiento para la otra válvula.
- Instale la junta, la tapa del balancín y la bujía.

## INSTALE EL ASA PARA ALMACENAMIENTO

Vea la figura 30.

- Retire la perilla y el perno.
- Invierta el mango para que quede mirando hacia la lavadora a presión. Vuelva a instalar en el marco inferior.
- Inserte el perno a través del marco y asegúrelo con la perilla de la manija.

## ALMACENAMIENTO

Se requiere una preparación de almacenamiento adecuada para un funcionamiento sin problemas y la longevidad de la lavadora a presión.

### AVISO

La gasolina almacenada por tan solo 30 días puede deteriorarse, provocando la acumulación de goma, barniz y corrosión en las líneas de combustible, los conductos de combustible y el motor. Esta acumulación corrosiva restringe el flujo de combustible, lo que puede evitar que el motor arranque después de un período de almacenamiento prolongado. El uso de estabilizador de combustible aumenta significativamente la vida útil de la gasolina. Se recomienda el uso de estabilizador de combustible a tiempo completo. Siga las instrucciones de uso del fabricante.

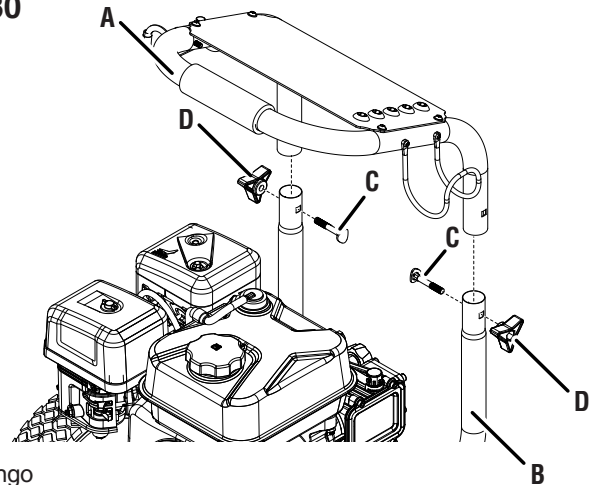


### ADVERTENCIA

Nunca almacene una lavadora a presión con combustible en el tanque en interiores o en un área mal ventilada donde los vapores puedan entrar en contacto con una fuente de ignición, como una luz piloto de una estufa, calentador de agua, secadora de ropa o cualquier otro aparato de gas, o una chispa de un aparato eléctrico.

TIEMPO DE ALMACENAMIENTO	PROCEDIMIENTO RECOMENDADO
Menos de 1 mes	No requiere servicio.

FIG. 30



- A - Mango
- B - Marco inferior
- C - Perno
- D - Perilla de la manija

2 a 6 meses	Llene con gasolina nueva y agregue estabilizador de gasolina. Drene el recipiente del flotador del carburador.
6 meses o más	Drene el tanque de combustible y el recipiente del flotador del carburador.

## ALMACENADO POR MENOS DE 30 DÍAS

- Deje que la lavadora a presión se enfríe un mínimo de 30 minutos antes de guardarla.
- Limpia la hidrolavadora con un paño húmedo. Limpie cualquier residuo de las rejillas de ventilación del silenciador.
- Guarde la lavadora a presión en un lugar limpio, seco y bien ventilado, lejos de chispas, llamas abiertas, luces piloto, calor y otras fuentes de ignición, como áreas con motores eléctricos que producen chispas o donde se operan herramientas eléctricas. Almacenar en un área fuera de la luz solar directa.
- No guarde la hidrolavadora o gasolina cerca de hornos, calentadores de agua o cualquier otro aparato que produzca calor o tenga encendido automático.

## ALMACENADO DURANTE MÁS DE 30 DÍAS

Incluso el combustible debidamente estabilizado puede dejar residuos y provocar corrosión si se deja por un tiempo prolongado. Si almacena la lavadora a presión durante dos a seis meses, drene el recipiente del flotador para evitar la acumulación de goma y barniz en el carburador.

## ALMACENAMIENTO DE INVIERNO

Asegúrese de que la manguera de la lavadora a presión esté libre de agua antes de guardarla para el invierno. Para evitar la corrosión y evitar que la bomba de agua se congele, deberá agregar anticongelante RV (no tóxico) o una protección de bomba similar fabricada específicamente para lavadoras a presión. Siga las instrucciones de uso del fabricante.



# SOLUCIÓN DE PROBLEMAS

PROBLEMA	CAUSA POSIBLE	CORRECCIÓN
El motor no arranca.	Válvula de combustible en posición OFF.	Gire la válvula de combustible a la posición ON.
	Sin combustible.	Agregue combustible.
	Ahogador en posición incorrecta.	Ajuste el estrangulador.
	Cable de bujía suelto.	Coloque la funda de la bujía.
	Bujía defectuosa.	Reemplace la bujía.
	Combustible rancio o agua en el combustible.	Drene el combustible y reemplácelo con combustible nuevo.
	Filtro de aire sucio.	Limpie o reemplace el filtro.
El motor se detiene de repente.	Sin combustible.	Agregue combustible.
	Aceite bajo.	Revise el aceite y agregue si está bajo.
El motor funciona de forma errática.	Ahogador en posición incorrecta.	Ajuste el estrangulador.
	Aceite bajo.	Revise el aceite y agregue si está bajo.
	Combustible rancio o agua en el combustible.	Drene el combustible y reemplácelo con combustible nuevo.
	Bujía defectuosa.	Reemplace la bujía.
La unidad no alcanza alta presión.	Suministro de agua restringido.	Revise las mangueras en busca de fugas, obstrucciones o torceduras.
	Manguera de jardín demasiado pequeña.	Use una manguera de 5/8 pulg. (0.025 mm) o más grande.
	No hay suficiente agua de entrada.	Abra completamente el suministro de agua de la manguera de jardín. Revise las mangueras en busca de fugas, obstrucciones o torceduras.
La presión de pulverización varía.	Suministro de agua de entrada deficiente.	Revise las mangueras en busca de fugas, obstrucciones o torceduras.
	El filtro de entrada de la manguera de jardín está obstruido.	Retire la manguera de jardín, limpie el filtro.
	La boquilla de pulverización está restringida.	Elimine las partículas con la herramienta de limpieza de boquillas.
	Entrada de aire a la bomba.	Revise todas las mangueras y accesorios para ver si hay conexiones seguras. Con el suministro de agua ENCENDIDO, apague el motor y purgue la bomba de aire presionando el gatillo hasta que fluya una corriente constante de agua.
El lavado con detergente a baja presión no funciona.	Boquilla incorrecta instalada en la lanza rociadora.	El detergente solo funciona con la boquilla negra (baja presión) instalada. Instale la boquilla negra. Si falta, reemplácelo.
	El detergente es demasiado espeso.	Use detergente elaborado específicamente para uso en lavadoras a presión.
	La manguera de detergente no está conectada a la bomba.	Revise las conexiones de la manguera.
	La boquilla de pulverización está obstruida.	Limpie la boquilla de residuos.
	La manguera de detergente está obstruida.	Retire la manguera de detergente y límpiela. Reemplazar.
	Obstrucción dentro de la válvula de detergente de la bomba.	Oprima y suelte rápidamente el gatillo de la pistola rociadora 4-5 veces para limpiar la válvula de detergente.
La conexión de la manguera de jardín tiene fugas.	Herrajes sueltos.	Apriete los accesorios.
	Arandela de goma faltante / gastada.	Revise las arandelas de entrada de agua de la manguera y la bomba. Reemplácelo si falta o está gastado.
La lanza de la pistola pulverizadora tiene fugas.	Herrajes sueltos.	Compruebe si hay juntas tóricas gastadas o conexiones sueltas.
	Arandelas de goma faltantes / gastadas.	Retire la lanza rociadora y / o la manguera de alta presión. Revise y reemplace las arandelas si es necesario.
No se puede tirar de la manija del arrancador de retroceso.	Presión de la bomba.	Presione el gatillo de la pistola rociadora para aliviar la presión.



## WPX3600, WPX3800, WPX4400

Pour les modèles de nettoyeurs haute pression à essence:

### MANUEL DE L'UTILISATEUR

NE PAS RETOURNER CE PRODUIT AU MAGASIN

Si vous avez des questions ou avez besoin d'aide, veuillez appeler le service client au 855-944-3571.

### TABLE DES MATIÈRES

Introduction.....	2-3
Sécurité .....	4-6
Composants .....	7-8
Assemblé.....	9-11
Opération.....	12-17
Entretien .....	17-23
Dépannage.....	23
Hotline de service/adresse de l'entreprise.....	page arrière
página trasera	

### INTRODUCCIÓN

**⚠ AVERTISSEMENT** L'utilisation, l'entretien et la maintenance de cet équipement peuvent vous exposer à des produits chimiques, notamment les gaz d'échappement du moteur, le monoxyde de carbone, les phtalates et le plomb, connus de l'État de Californie pour causer le cancer et des malformations congénitales ou d'autres troubles de la reproduction. Pour minimiser l'exposition, évitez de respirer les gaz d'échappement et portez des gants ou lavez-vous les mains fréquemment lors de l'entretien de cet équipement. Pour plus d'informations, rendez-vous sur [www.P65warnings.ca.gov](http://www.P65warnings.ca.gov).

#### AVIS DE NON-RESPONSABILITÉ

Toutes les informations, illustrations et spécifications contenues dans ce manuel étaient en vigueur au moment de la publication. Les illustrations utilisées dans ce manuel sont uniquement destinées à servir de vues de référence représentatives. Nous nous réservons le droit d'apporter des modifications aux spécifications ou à la conception sans préavis.

#### TOUS LES DROITS SONT RÉSERVÉS

Tous les droits sont réservés. Aucune reproduction autorisée sous quelque forme que ce soit sans l'autorisation écrite de Westinghouse Outdoor Power Equipment.



**⚠ DANGER** Lisez ce manuel avant d'utiliser ou d'effectuer l'entretien de ce produit. Le non-respect des instructions et des consignes de sécurité de ce manuel peut entraîner des blessures graves ou la mort.

#### MISES À JOUR

Le dernier manuel d'utilisation de vos produits Westinghouse se trouve sous notre onglet d'assistance. [wpowereq.com/pages/manuals](http://wpowereq.com/pages/manuals)

Ou scannez le code QR suivant avec l'appareil photo de votre smartphone pour être dirigé vers le lien.



# INTRODUCTION

Caractéristiques	WPX3600	WPX3800	WPX4400
Pression (PSI / BAR):	3600/248	3800/262	4400/303
Débit (GPM / LPM):2	2.7/10.22	3.6 /13.63	4.2 /15.9
Température de l'eau (°F / °C):	104°/40° Max	104°/40° Max	104°/40° Max
Longueur du tuyau (pi/m):	35/10.6	35/10.6	50/15.24
Capacité du réservoir de savon (Gal/L/Oz):	0.8/3/101	0.8/3/101	N/A
Cylindrée du moteur (cc):	212	274	420
Type de départ:	Recoil	Recoil	Recoil
Capacité de carburant (Gal / L):	0.95 gal/3.6L	1.32 gal/5L	1.72 gal/6.5L
Type d'huile:	87–93 octane*	87–93 octane*	87–93 octane*
Capacité d'huile (ml):	500ml	700ml	1000ml
Type d'huile:	SAE 10W-30	SAE 10W-30	SAE 10W-30
Bougie d'allumage:	F7TC	F7TC	F7TC
Ecartement électrode bougie:	0.024 – 0.032 in. (0.60 – 0.80 mm)	0.024 – 0.032 in. (0.60 – 0.80 mm)	0.024 – 0.032 in. (0.60 – 0.80 mm)
Buses:	0°, 15°, 25°, 40°, Soap	0°, 15°, 25°, 40°, Soap	0°, 15°, 25°, 40°, Soap
Certifications:	EPA CARB	EPA CARB	EPA CARB

\* Teneur en éthanol de 10% ou moins. N'utilisez PAS E15 ou E85.

## ENREGISTREMENT DU PRODUIT

Pour une couverture de garantie sans problème, il est important d'enregistrer votre nettoyeur haute pression Westinghouse.

### Vous pouvez vous inscrire par:

- Remplir et poster la carte d'enregistrement du produit incluse dans le carton.
- Enregistrement de votre produit en ligne sur: [wpowereq.com/pages/warranty-registration](http://wpowereq.com/pages/warranty-registration)
- Scanner le code QR suivant avec l'appareil photo de votre smartphone. Vous serez dirigé vers le lien d'inscription mobile.



### Pour vos dossiers

Date d'achat: \_\_\_\_\_  
 Numéro de modèle: \_\_\_\_\_  
 Numéro de série: \_\_\_\_\_  
 Lieu d'achat: \_\_\_\_\_

- Envoi des informations produit suivantes à:

**AVOIR DES QUESTIONS?**  
**Écrivez-nous à [service@wpowereq.com](mailto:service@wpowereq.com) ou composez le 1-855-944-3571**

## Westinghouse Outdoor Power

Warranty Registration  
 777 Manor Park Drive  
 Columbus, OH 43228

**IMPORTANT:** Conservez votre reçu d'achat pour une couverture de garantie sans problème.

### AVIS

Ce produit est conçu et conçu pour un fonctionnement continu à des températures ambiantes allant jusqu'à 40 ° C (104 ° F). Si nécessaire, ce produit peut être utilisé à des températures allant de 5 ° F (15 ° C) à 122 ° F (50 ° C) pendant de courtes périodes. Si le produit est exposé à des températures en dehors de cette plage pendant le stockage, il doit être ramené dans cette plage avant utilisation. Ce produit doit toujours être utilisé à l'extérieur dans un endroit bien ventilé et loin des portes, fenêtres et autres événements.

La puissance maximale diminue d'environ 3,5% pour chaque tranche de 1000 pieds au-dessus du niveau de la mer et diminue également d'environ 1% pour chaque température ambiante de 10 ° F (6 ° C) au-dessus de 60 ° F (16 ° C).

### AVIS

Merci d'avoir choisi Westinghouse ! **VEUILLEZ LIRE AVANT DE RETOURNER CE PRODUIT POUR QUELQUE RAISON QUE CE SOIT.**

Si vous avez une question ou rencontrez un problème avec votre achat Westinghouse, appelez-nous au 1-855-944-3571 pour parler avec un agent.

**CONSERVEZ CE MANUEL POUR RÉFÉRENCE ULTÉRIEURE.**

# SÉCURITÉ

## DÉFINITIONS DE SÉCURITÉ

Les mots DANGER, AVERTISSEMENT, ATTENTION et AVIS sont utilisés tout au long de ce manuel pour mettre en évidence des informations importantes. Assurez-vous que la signification de ces informations de sécurité est connue de tous ceux qui utilisent, effectuent l'entretien ou se trouvent à proximité du nettoyeur haute pression.



**Ce symbole d'alerte de sécurité apparaît avec la plupart des déclarations de sécurité. Il signifie attention, devenez alerte, votre la sécurité est en jeu! Veuillez lire et respecter le message qui suit le symbole des alertes de sécurité.**

**⚠ DANGER** Indique une situation dangereuse qui, si elle n'est pas évitée, entraînera la mort ou des blessures graves.

**⚠ AVERTISSEMENT** Indique une situation dangereuse qui, si elle n'est pas évitée, peut entraîner la mort ou des blessures graves.

**⚠ PRÉCAUTION** Indique une situation dangereuse qui, si elle n'est pas évitée, pourrait entraîner des blessures légères ou modérées.

**AVIS** Indique une situation qui peut causer des dommages au groupe électrogène, à des biens personnels et/ou à l'environnement, ou entraîner un mauvais fonctionnement de l'équipement.

**NOTE** : Indique une procédure, une pratique ou une condition qui doit être suivie pour que le générateur fonctionne de la manière prévue.

## SYMBOLES DE SÉCURITÉ

Suivez toutes les informations de sécurité contenues dans ce manuel et sur le nettoyeur haute pression.

Symbole	La description
	Symbole d'alerte de sécurité
	Risque d'électrocution
	Risque d'asphyxie
	Risque de brûlure. Ne touchez pas les surfaces chaudes.
	Risque d'électrocution
	Risque d'incendie
	Maintenez une distance de sécurité
	Risque d'injection. Ne dirigez pas le jet d'eau vers des personnes ou des animaux domestiques.
	Kickback. Tenez fermement le pistolet de pulvérisation
	Risque de levage
	Lire les instructions du fabricant
	Porter une protection oculaire et auditive

**⚠ DANGER** MONOXYDE DE CARBONE - l'utilisation de ce produit à l'intérieur PEUT VOUS TUER EN QUELQUES MINUTES. Utilisez ce produit à l'extérieur uniquement dans un endroit bien ventilé.

NE PAS utiliser le produit à l'intérieur d'un bâtiment, y compris les garages, les sous-sols, les vides sanitaires et les remises, l'enceinte ou le compartiment. NE PAS laisser les gaz d'échappement entrer dans une zone confinée par les fenêtres, les portes, les événements ou d'autres ouvertures.

# SÉCURITÉ

## SÉCURITÉ DU CARBURANT



**DANGER** Risque d'incendie et d'explosion. L'essence est hautement explosive et inflammable et peut causer de graves brûlures ou la mort.

- En cas d'incendie au gaz, n'essayez pas d'éteindre la flamme si le robinet du réservoir de carburant est en position ON. L'introduction d'un extincteur dans un nettoyeur haute pression avec un robinet de carburant ouvert pourrait créer un risque d'explosion.
- Le gaz a une odeur distinctive, cela aidera à détecter rapidement les fuites potentielles.
- Les vapeurs de gaz peuvent provoquer un incendie si elles sont enflammées.
- L'essence est un irritant pour la peau et doit être nettoyée immédiatement si elle entre en contact avec la peau.
- L'essence et les vapeurs d'essence sont extrêmement inflammables et explosives dans certaines conditions.
- TOUJOURS faire le plein du nettoyeur haute pression à l'extérieur, dans un endroit bien ventilé.
- NE JAMAIS retirer le bouchon du réservoir avec le moteur en marche.
- NE JAMAIS faire le plein du nettoyeur haute pression lorsque le moteur tourne. Arrêtez toujours le moteur et laissez le nettoyeur haute pression refroidir pendant au moins deux minutes avant de faire le plein.
- Remplissez le réservoir de carburant uniquement avec de l'essence.
- Gardez les étincelles, les flammes nues ou toute autre forme d'allumage (comme une allumette, une cigarette, une source d'électricité statique) à l'écart lors du ravitaillement.
- NE JAMAIS trop remplir le réservoir de carburant. Laissez de la place pour que le carburant se dilate. Un remplissage excessif du réservoir de carburant peut entraîner un débordement soudain d'essence et entraîner le déversement d'essence en contact avec des surfaces CHAUDES.
- Le carburant renversé peut s'enflammer. Si du carburant est renversé sur le nettoyeur haute pression, essuyez immédiatement tout déversement. Jetez le chiffon correctement. Laissez sécher la zone de carburant renversé avant d'utiliser le nettoyeur haute pression.
- Portez des lunettes de protection lors du ravitaillement.
- N'utilisez JAMAIS d'essence comme agent de nettoyage.
- Entrez tout contenant contenant de l'essence dans un endroit bien ventilé, loin de tout combustible ou source d'inflammation.
- Vérifiez les fuites de carburant après le ravitaillement.
- Ne jamais faire fonctionner le moteur si une fuite de carburant est découverte.
- Stockez le carburant dans un contenant approuvé pour l'essence.
- Ne fumez pas lorsque vous remplissez le nettoyeur haute pression avec de l'essence.

- Ne laissez pas le réservoir de gaz déborder lors du remplissage.
- Arrêtez le moteur et laissez-le refroidir pendant deux minutes avant d'ajouter de l'essence ou de l'huile au nettoyeur haute pression.
- Essuyez le carburant renversé de l'unité.
- N'essayez jamais de brûler du carburant renversé.
- Stockez tous les contenants contenant de l'essence dans un endroit bien ventilé, loin de tout combustible ou source d'inflammation.

## PRÉCAUTIONS GÉNÉRALES DE SÉCURITÉ

- N'opérez pas lorsque vous êtes fatigué ou sous l'influence de drogues, d'alcool ou de médicaments.
- Portez toujours des lunettes de sécurité ou des lunettes de sécurité avec écrans latéraux et, si nécessaire, un écran facial complet ainsi qu'une protection auditive complète lors de l'utilisation de ce produit.
- Si vous commencez à vous sentir malade, étourdi ou faible lorsque vous utilisez le nettoyeur haute pression, passez IMMÉDIATEMENT à l'air frais. Consultez un médecin, car vous pouvez avoir une intoxication au monoxyde de carbone.
- Utilisez uniquement À L'EXTÉRIEUR et loin des fenêtres, des portes et des événements, comme recommandé par le Département américain de la santé et les centres de services humains pour le contrôle et la prévention des maladies. Votre domicile et / ou vos conditions de vent peuvent nécessiter une distance supplémentaire.
- Pendant le fonctionnement et le stockage, gardez au moins cinq pieds de dégagement de tous les côtés du nettoyeur haute pression, y compris au-dessus. Laissez le nettoyeur haute pression refroidir au moins 30 minutes avant de le ranger. La chaleur créée par le silencieux et les gaz d'échappement peut être suffisamment chaude pour provoquer de graves brûlures et / ou enflammer des objets combustibles.
- Ne touchez ni le silencieux ni le moteur. Ils sont très CHAUDS et provoqueront de graves brûlures. Ne placez pas de parties du corps ou de matériaux inflammables ou combustibles sur le chemin direct de l'échappement.
- Retirez toujours les outils ou autres équipements de service utilisés pendant la maintenance loin de l'unité avant de l'utiliser.
- Évitez tout contact cutané avec l'huile moteur ou l'essence. Portez des vêtements et des équipements de protection. Laver toute la peau exposée avec du savon et de l'eau.



**DANGER** Risque d'injection ou de blessure. Les jets à haute pression peuvent être dangereux s'ils sont mal utilisés. NE PAS diriger le jet de décharge vers des personnes, des animaux, des appareils électriques ou la machine elle-même. Pointez TOUJOURS le pistolet dans une direction sûre. Chaque fois que vous arrêtez le moteur, appuyez sur la gâchette du pistolet de pulvérisation pour relâcher la pression.

# SÉCURITÉ



## **DANGER**

NE JAMAIS vaporiser de liquides inflammables ou utiliser un nettoyeur haute pression dans des zones contenant de la poussière, des liquides ou des vapeurs combustibles. NE JAMAIS utiliser cette machine dans un bâtiment fermé ou dans ou à proximité d'un environnement explosif.

- Les roues sont uniquement destinées au transport manuel. Les roues ne sont pas adaptées au remorquage du nettoyeur haute pression sur route ou hors route.



## **AVERTISSEMENT**

Le contact avec une source d'alimentation électrique peut provoquer un choc électrique ou des brûlures. NE JAMAIS vaporiser en direction ou à proximité d'une source d'alimentation / prise électrique.

- NE JAMAIS déconnecter le tuyau de refoulement haute pression de la machine lorsque le système est sous pression.
- NE PAS laisser l'eau dans la pompe geler. Voir la section Stockage dans le manuel pour les instructions concernant le stockage hivernal.
- Si de l'eau a gelé dans le nettoyeur haute pression, faites-le dégeler dans une pièce chaude avant de commencer.
- Utilisez le nettoyeur haute pression uniquement pour les utilisations prévues.
- Ne fonctionne que sur des surfaces planes.
- NE PAS exposer le nettoyeur haute pression à une humidité excessive, à la poussière ou à la saleté.
- NE laissez aucun matériau bloquer les fentes de refroidissement.
- NE PAS utiliser le nettoyeur haute pression si l'appareil produit des étincelles, fume, émet des flammes ou vibre excessivement.

### **Lors du démarrage du nettoyeur haute pression:**

- NE JAMAIS faire fonctionner l'appareil à sec. Assurez-vous que l'alimentation en eau est complètement ouverte avant de faire fonctionner l'unité.
- NE versez PAS d'eau chaude sur ou dans la pompe; les pièces internes seront endommagées et votre garantie sera annulée. Utilisez UNIQUEMENT de l'eau froide.
- Utiliser uniquement sur une surface plane.
- Assurez-vous qu'il y a un drainage adéquat pour dissiper l'eau.
- Assurez-vous que le bouchon de carburant, le filtre à air, la bougie d'allumage, les conduites de carburant et le système d'échappement sont correctement en place.
- Si vous renversez de l'essence sur le réservoir, laissez-le s'évaporer complètement avant d'utiliser.

### **Lors du transport ou de l'entretien du nettoyeur haute pression:**

- Débranchez le soufflet pour éviter tout démarrage accidentel.

### **Lors du stockage du nettoyeur haute pression:**

- Stocker à l'écart des étincelles, des flammes nues, des veilleuses, de la chaleur et de toute autre source d'inflammation.
- Ne stockez pas d'essence à proximité de fournaies, de chauffe-eau ou de tout autre appareil produisant de la chaleur ou à allumage automatique.

## **AVIS**

L'eau sous haute pression peut endommager les surfaces fragiles. Entraînez-vous TOUJOURS sur une zone de test peu visible pour comprendre quand des dommages peuvent survenir.



## **AVERTISSEMENT**

L'utilisation de nettoyeurs haute pression peut créer des surfaces de marche humides. Lors de l'utilisation d'un nettoyeur haute pression, les forces du pistolet peuvent vous faire perdre pied et tomber.



## **AVERTISSEMENT**

Le jet haute pression peut éclabousser l'opérateur ou propulser des objets.

- NE JAMAIS permettre aux enfants d'utiliser un nettoyeur haute pression ou de jouer à proximité.
- NE JAMAIS laisser le pistolet de pulvérisation sans surveillance lorsque la machine est en marche ou jusqu'à ce que le moteur ait été arrêté et que la pression du pistolet de pulvérisation ait été relâchée.
- NE JAMAIS réparer le tuyau haute pression, le remplacer.
- NE JAMAIS réparer les connexions qui fuient avec du mastic, remplacer les joints toriques endommagés.
- NE JAMAIS utiliser de pistolet de pulvérisation avec un verrou de détente endommagé ou altéré.
- JAMAIS: verrouiller la gâchette en position ouverte / pulvérisation.
- TOUJOURS garder le tuyau haute pression connecté au pistolet de pulvérisation et à la pompe pendant l'utilisation.
- Assurez-vous TOUJOURS que la buse du pistolet de pulvérisation est correctement fixée à la lance.
- Portez TOUJOURS des lunettes de sécurité lorsque vous utilisez cet équipement. Des lunettes de sécurité couvrent les côtés, le haut et le bas des yeux. Ne confondez pas les lunettes de sécurité avec les lunettes.
- Utiliser uniquement sur une surface plane.
- NE PAS utiliser sur une surface élevée où le rebond pourrait entraîner une chute grave.
- Saisissez TOUJOURS le pistolet à deux mains pour éviter tout risque de blessure dû à la haute pression du pistolet.
- Les roues sont uniquement destinées au transport manuel. Les roues ne sont pas adaptées au remorquage du nettoyeur haute pression sur route ou hors route.



# COMPOSANTS

---

## COMPRENDRE VOTRE NETTOYEUR HAUTE PRESSION

*Voir figure 1.*

Pour réduire le risque de blessure et de défaillance du produit, lisez et comprenez les informations contenues dans ce manuel de l'utilisateur ainsi que les informations sur l'étiquetage du produit.

## PISTOLET À PEINTURE

Utilisez le pistolet pulvérisateur et la lance pour contrôler et diriger le jet d'eau.

## SOUPAPE DE DÉCHARGE THERMIQUE

Lorsque l'eau atteint 125° F, l'eau chaude se décharge de la pompe sur le sol pour aider à prévenir les dommages internes de la pompe..

## LANCEUR À RAPPEL

Tirez pour démarrer le moteur.

## JAUGE D'HUILE

Dévissez la jauge d'huile pour vérifier les niveaux d'huile et ajoutez de l'huile si nécessaire.

## POMPE

Génère une haute pression.

## POIGNÉE

Utilisez la poignée pour transporter l'appareil.

## TUYAU HAUTE PRESSION.

Le tuyau haute pression inclus avec cet appareil est léger, flexible et durable. Lorsqu'il n'est pas utilisé, le tuyau peut être rangé sur le support de tuyau.

## SORTIE HAUTE PRESSION

Connexion pour tuyau haute pression.

## ARRIVÉE D'EAU

Connexion pour tuyau d'arrosage.

## RÉSERVOIR D'ESSENCE

Remplir avec de l'essence ordinaire sans plomb. Ne pas trop remplir.

## COMMUTATEUR MARCHE/ARRÊT DU CARBURANT

Active et désactive l'alimentation en carburant du moteur.

## ÉTOUFFER

Prépare un moteur froid pour le démarrage.

## BUSES

Des buses de différentes tailles sont incluses avec cet appareil et peuvent être utilisées pour différentes applications de nettoyage.

## RÉSERVOIR DE DÉTERGENT

**(WPX3600 et WPX3800 uniquement)**

Siphonne le détergent dans le flux basse pression et s'allume automatiquement lors de l'utilisation de la buse de savon noir. Utilisez uniquement avec un détergent sans danger pour les nettoyeurs haute pression.

## BOUCHON DE VIDANGE D'HUILE

Utilisé pour vidanger l'huile moteur.

## INTERRUPTEUR MARCHE/ARRÊT DU MOTEUR

Mettez l'interrupteur en position ON avant d'utiliser le lanceur à rappel. Tourner en position OFF pour arrêter le moteur.

## RACCORD CANNELÉ POUR TUYAU DE DÉTERGENT

Connecte le réservoir de détergent à la pompe.

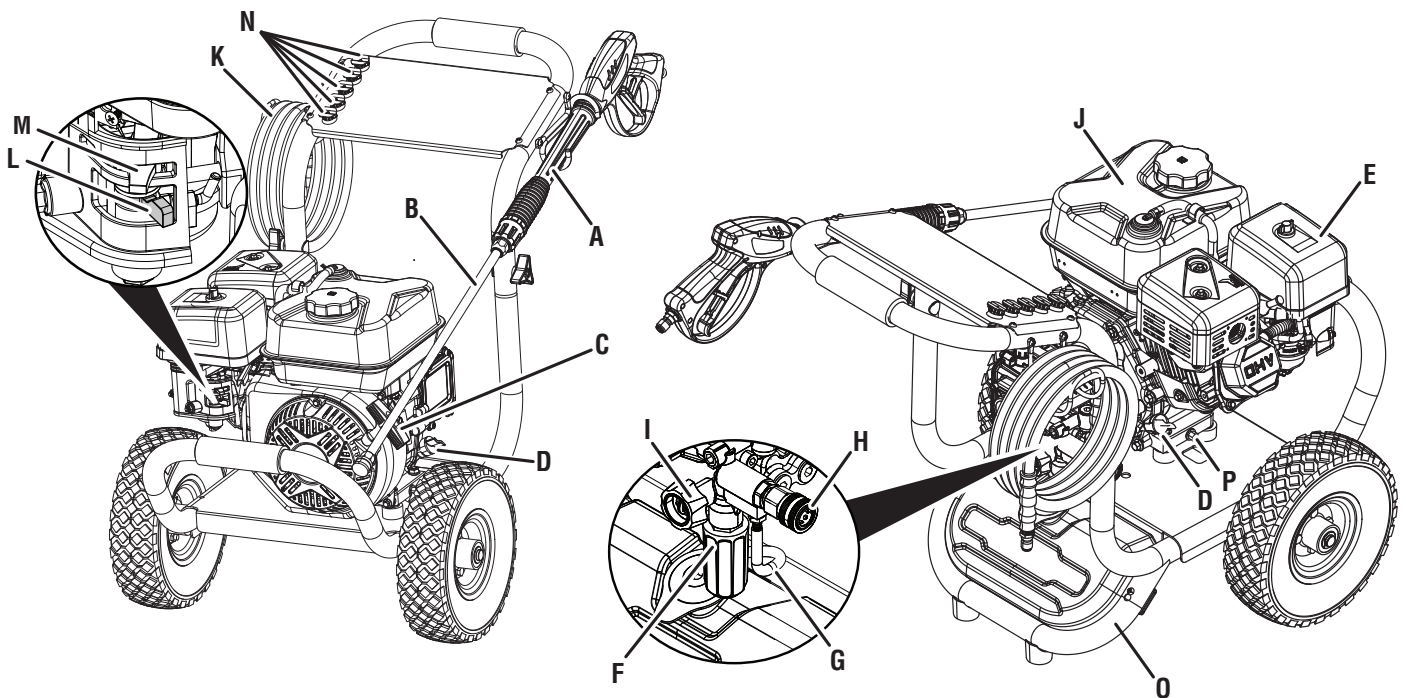
## OUTIL DE NETTOYAGE DE BUSE

Utilisé pour nettoyer les buses.

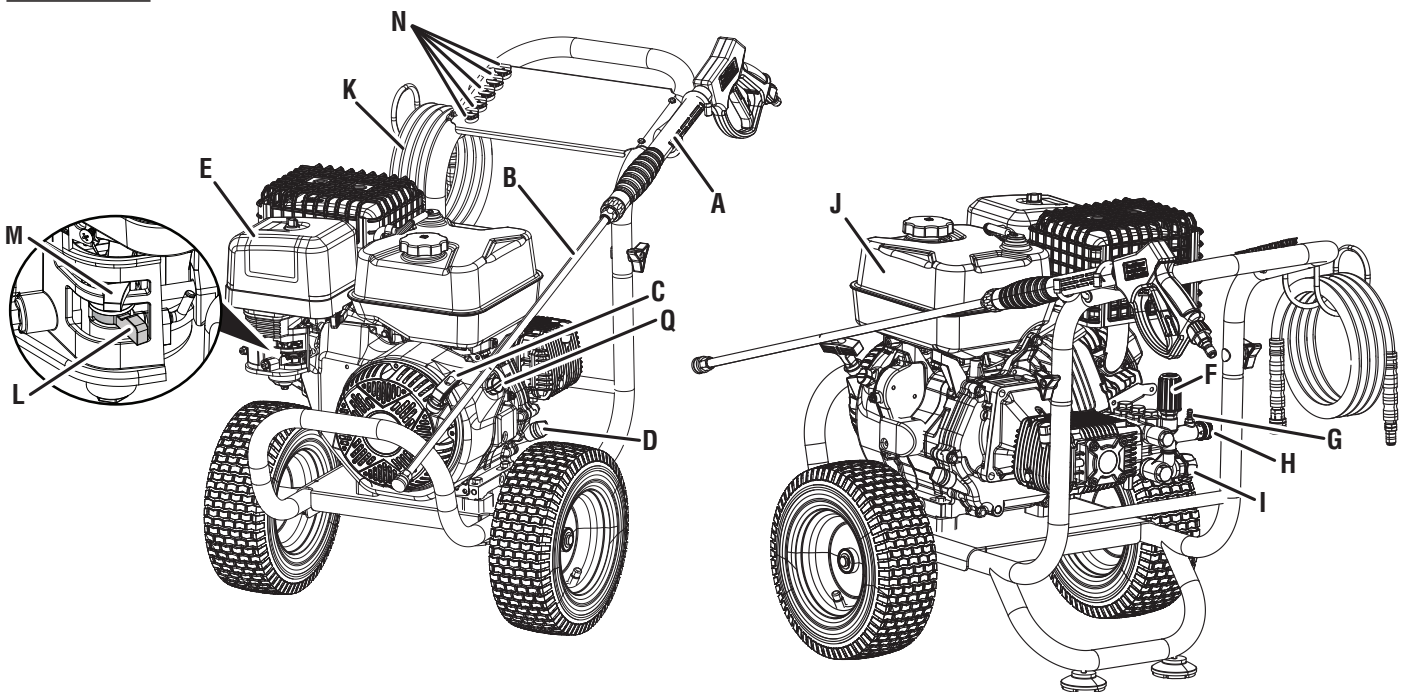
# COMPOSANTS

FIG. 1

WPX3600 and WPX3800



WPX4400



A - Pistolet à peinture  
 B - Lance de pistolet  
 C - Lanceur à rappel  
 D - Jauge d'huile/tuyau de remplissage  
 E - Filtre à air  
 F - Pompe

G - Raccord cannelé pour tuyau de détergent  
 H - Sortie haute pression  
 I - Entrée d'eau  
 J - Réservoir de carburant  
 K - Tuyau haute pression  
 L - Commutateur Marche/Arrêt du carburant

M - Starter  
 N - Buses  
 O - Réservoir de détergent (WPX3600/  
 WPX3800)  
 P - Bouchon de vidange d'huile  
 Q - Interrupteur Marche/Arrêt du moteur

# ASSEMBLÉ

## CONTENU DU CARTON

**⚠ PRÉCAUTION** Risque de poids. Ayez toujours de l'aide pour soulever le nettoyeur haute pression.

- Ouvrez soigneusement le carton.
- Retirez et conservez le contenu du carton.
- Retirez et jetez le plateau d'emballage.
- Dépliez le haut du sac en plastique contenant le nettoyeur haute pression.
- Découpez soigneusement les coins verticaux du carton.
- Recyclez ou éliminez correctement les matériaux d'emballage.

## CONTENU DU CARTON

Article	Quantité
• Manuel de l'Utilisateur	1
• Guide de démarrage rapide	1
• Bouteille d'huile 10W-30	1
• Embout d'entonnoir pour bouteille	1
• Pistolet à peinture	1
• Lance du pistolet de pulvérisation	1
• Manipuler	1
• Tuyau haute pression	1
• Pied de montage	1
• Outil de nettoyage de buse	1
• Buses de pulvérisation	5
• Écrou, M8	1
• Support supérieur du pistolet pulvérisateur	1
• Rivet poussoir	1
• Support inférieur du pistolet pulvérisateur	1
• Boulon et écrou, M6	1
• Machine à laver	2
• Jauge d'huile de pompe	1

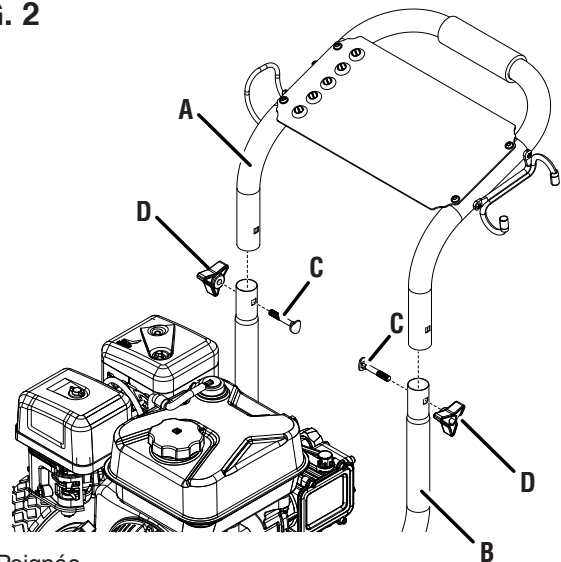
S'il manque des pièces, contactez notre équipe de service à [service@wpowereq.com](mailto:service@wpowereq.com) ou appelez le 1-855-944-3571.

## INSTALLER LA POIGNÉE

*Voir figure 2.*

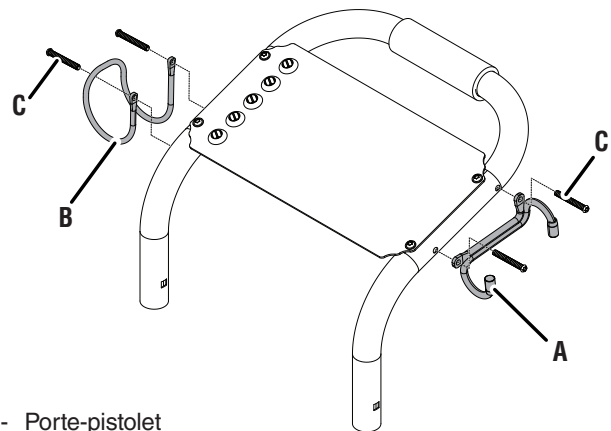
- La poignée est expédiée en position de stockage. Avant utilisation, mettez la poignée en position de fonctionnement.

FIG. 2



- A - Poignée
- B - Châssis inférieur
- C - Boulon
- D - Poignée bouton

FIG. 3



- A - Porte-pistolet
- B - Support tuyau haute pression
- C - Boulons

- Tournez la poignée de manière à ce qu'elle ne soit pas tournée vers le nettoyeur haute pression. Installer sur le cadre inférieur.
- Insérez le boulon à travers le cadre et fixez-le avec le bouton de la poignée.

## CONNECTER LES SUPPORTS DE POIGNÉE

*Voir figure 3.*

Connectez le support du pistolet et le support du tuyau haute pression sur la poignée à l'aide d'une clé et des boulons fournis.

# ASSEMBLÉ

## INSTALLER LE PORTE-PISTOLET SUPÉRIEUR

Voir figure 4.

Depuis l'avant de l'appareil, retirez le boulon, les rondelles et l'écrou en haut à droite. Réinstallez avec le support supérieur du pistolet pulvérisateur. Depuis l'arrière de l'appareil, installez le rivet poussoir comme indiqué.

## INSÉRER LES BUSES DE PULVÉRISATION

Voir figure 4.

Insérez les buses colorées dans les supports correspondants sur le dessus du nettoyeur haute pression (WPX3600 illustré). Placez la poignée de déclenchement et le tuyau dans leurs supports de stockage désignés.

## INSTALLER LA JAUGE DE LA POMPE

Voir figure 5.

Ce nettoyeur haute pression est livré avec un bouchon d'huile temporaire sur la pompe et doit être retiré et remplacé par la jauge de la pompe. Le niveau d'huile doit être suffisant en usine et apparaître au niveau du point rouge sur le voyant.

- Assurez-vous que le nettoyeur haute pression est sur une surface stable et plane.
- Localisez la jauge de la pompe dans les pièces détachées.
- Localisez le capuchon temporaire sur la pompe.
- Desserrez et retirez le capuchon temporaire et jetez-le.
- Insérez la jauge de la pompe dans la pompe. Faites attention à ne pas croiser les fils. Ne pas trop serrer.

## RACCORDER LA LANCE AU PISTOLET DE PULVÉRISATION

Voir figure 6.

- Poussez la lance dans le pistolet pulvérisateur et tournez dans le sens des aiguilles d'une montre pour serrer. **Ne pas trop serrer.**
- Tirez doucement sur la lance pour vous assurer qu'elle est bien fixée.

## RACCORDEMENT DU TUYAU HAUTE PRESSION AU PISTOLET

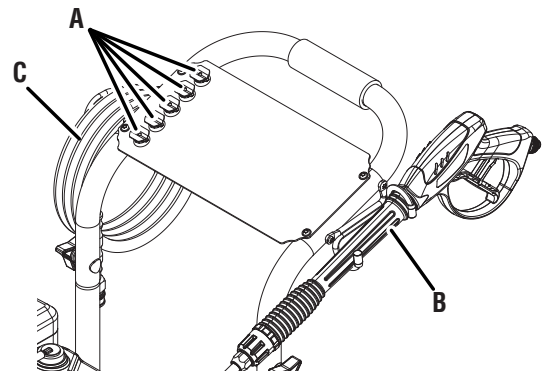
Voir figure 7.

- Tirez le collier du tuyau haute pression vers l'arrière et poussez fermement le raccord du tuyau dans le pistolet pulvérisateur.
- Visser le collier sur le pistolet et bien serrer.

**NOTE :** Veillez à ne pas endommager les filetages du pistolet pulvérisateur car cela pourrait entraîner une fuite du pistolet pendant l'utilisation.

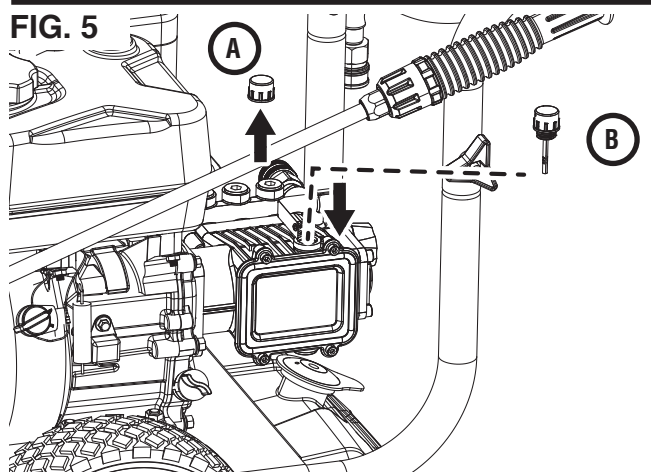
- Tirez doucement sur le tuyau pour vous assurer qu'il est bien fixé.

FIG. 4



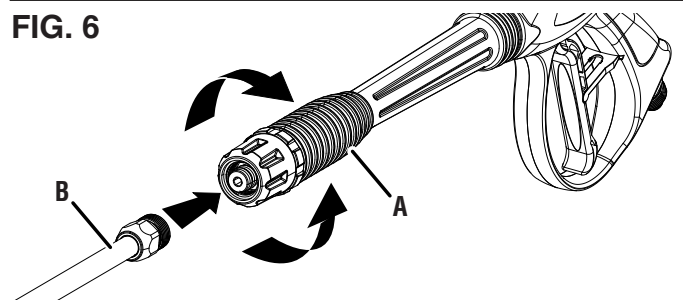
A - Porte-buses  
B - Poignée de déclenchement  
C - Tuyau

FIG. 5



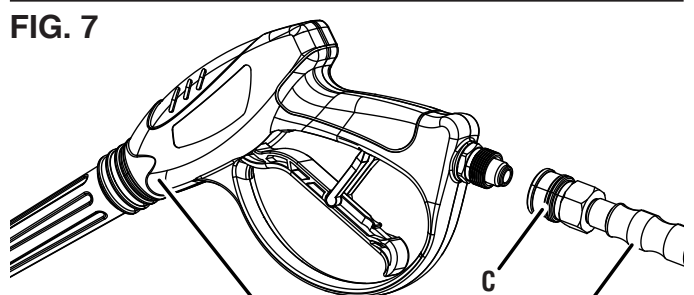
A - Bouchon d'huile temporaire  
B - Jauge de pompe

FIG. 6



A - Pistolet à peinture  
B - Lance de pistolet

FIG. 7



A - Pistolet à peinture  
B - Tuyau haute pression  
C - Collier



# ASSEMBLÉ

## RACCORDEMENT DU TUYAU HAUTE PRESSION AU NETTOYEUR HAUTE PRESSION

Voir figure 8.

- Déroulez et redressez le flexible haute pression pour éliminer les coudes ou les plis.
- Tirez le collier du tuyau haute pression vers l'arrière et poussez fermement le raccord du tuyau dans la sortie fileté du nettoyeur haute pression.
- Visser le collier sur la sortie et bien serrer.

**NOTE :** Veillez à ne pas endommager les filetages de la sortie car cela pourrait entraîner une fuite de l'appareil pendant l'utilisation.

- Tirez doucement sur le tuyau pour vous assurer qu'il est bien fixé.

## RACCORDEMENT D'UN TUYAU D'ARROSAGE AU NETTOYEUR HAUTE PRESSION

Voir figure 9.

### AVIS

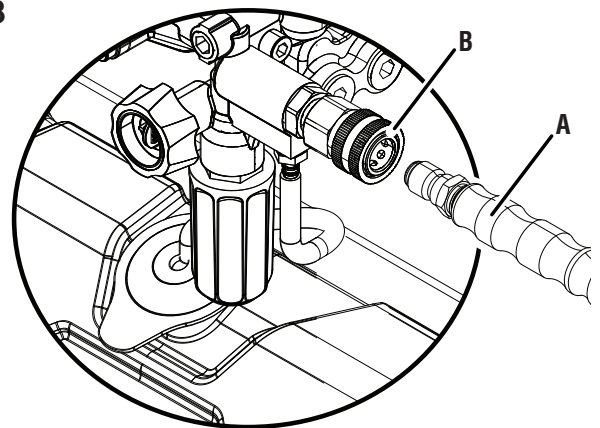
Suivez les réglementations et ordonnances locales lors du raccordement de votre nettoyeur haute pression à une alimentation en eau. Certaines juridictions peuvent vous interdire de vous connecter directement à l'eau potable publique afin d'éviter la possibilité de retour de produits chimiques dans le système. Les raccordements effectués via un clapet anti-retour ou un réservoir récepteur sont généralement autorisés.

### AVIS

L'eau utilisée dans cet appareil doit provenir d'une conduite d'eau principale. **N'UTILISEZ PAS** cet appareil avec de l'eau provenant d'un lac, d'une piscine, d'un étang, etc. **N'UTILISEZ JAMAIS** d'eau chaude avec ce produit.

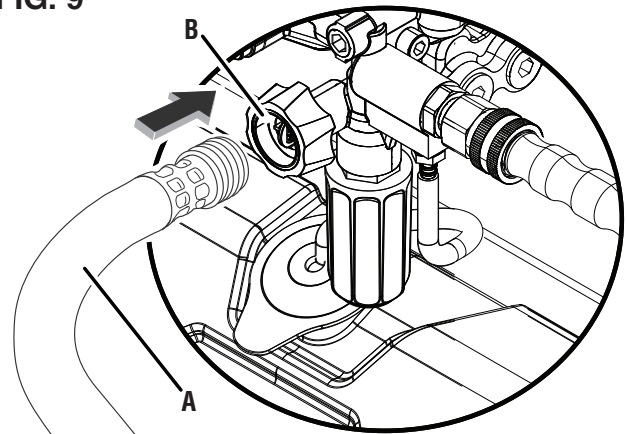
- Fermez complètement le robinet d'eau.
- Déroulez et redressez le tuyau d'arrosage pour éliminer les coudes ou les plis.
- Faites couler de l'eau dans le tuyau pendant plusieurs secondes pour éliminer les débris, puis fermez à nouveau le robinet.
- Inspectez l'écran à l'intérieur de l'entrée d'eau pour des dommages ou des obstructions. Nettoyer ou remplacer au besoin. Ne branchez **JAMAIS** un tuyau d'arrosage sans l'écran en place.
- Insérez le tuyau d'arrosage dans l'entrée d'eau.
- Vissez le collier de l'entrée sur le tuyau d'arrosage. Bien serrer.

FIG. 8



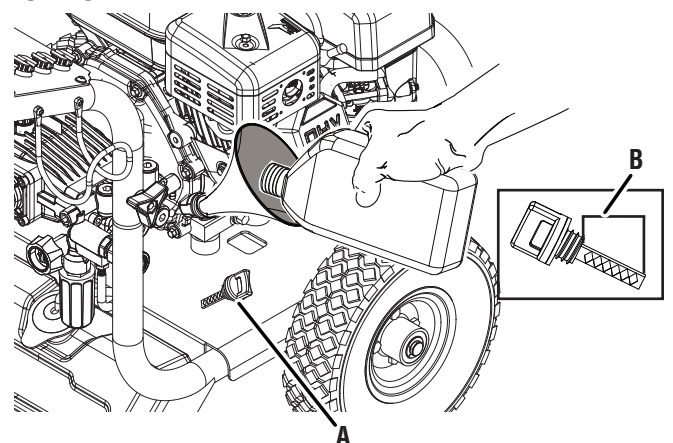
A - Tuyau haute pression  
B - Sortie haute pression

FIG. 9



A - Tuyau d'arrosage  
B - Entrée d'eau

FIG. 10



A - Bouchon/jauge d'huile  
B - Zone hachurée



# OPÉRATION

## AVIS

Mettez TOUJOURS l'alimentation en eau sur "ON" avant de mettre le nettoyeur haute pression sur "ON". Faire fonctionner la pompe à sec endommagera les composants internes et rendra le nettoyeur haute pression inutilisable.

## APERÇU

Ce nettoyeur haute pression peut produire des niveaux de pression d'eau très élevés et peut être utilisé pour une variété d'applications de nettoyage telles que le nettoyage des terrasses et des passerelles, le lavage des véhicules et de l'équipement ; et enlever la saleté des extérieurs et des clôtures de la maison.

## AJOUT / VÉRIFICATION DE L'HUILE

Voir figure 10.

## AVIS

CET APPAREIL A ÉTÉ EXPÉDIÉ SANS HUILE. N'essayez pas de lancer ou de démarrer le moteur avant qu'il n'ait été correctement entretenu avec l'huile recommandée. Le fait de ne pas ajouter d'huile moteur avant le démarrage entraînera de graves dommages au moteur.

## AVIS

L'utilisation d'huile 2 temps / cycle ou d'autres types d'huile non approuvés peut causer de graves dommages au moteur qui ne sont pas couverts par la garantie.

Le type d'huile recommandé pour une utilisation typique est l'huile moteur 10W-30. Si vous utilisez le nettoyeur haute pression à des températures extrêmes, reportez-vous au tableau suivant.

Type d'huile moteur recommandé									
		10W-30							
	5W-30						10W-40		
	5W-30 Synthétique								
°F	-20	0	20	40	60	80	100	120	
°C	-28.9	-17.8	-6.7	4.4	15.6	26.7	37.8	48.9	
Température ambiante									

- Sur une surface plane, retirez la jauge d'huile.

**NOTE :** Il y a une jauge d'huile/un goulot de remplissage des deux côtés de l'unité. Soit peut être utilisé pour vérifier ou ajouter de l'huile.

- À l'aide de l'huile et de la pointe d'entonnoir fournies, ajoutez de l'huile dans le goulot de remplissage d'huile.

**NOTE :** Comme l'huile résiduelle de l'usine peut rester dans le moteur, ajoutez l'huile progressivement pour éviter de trop remplir le moteur. Voir Contrôle du niveau d'huile moteur dans la section Entretien.

- Remplacez la jauge d'huile et serrez à la main.

## BESOINS EN CARBURANT

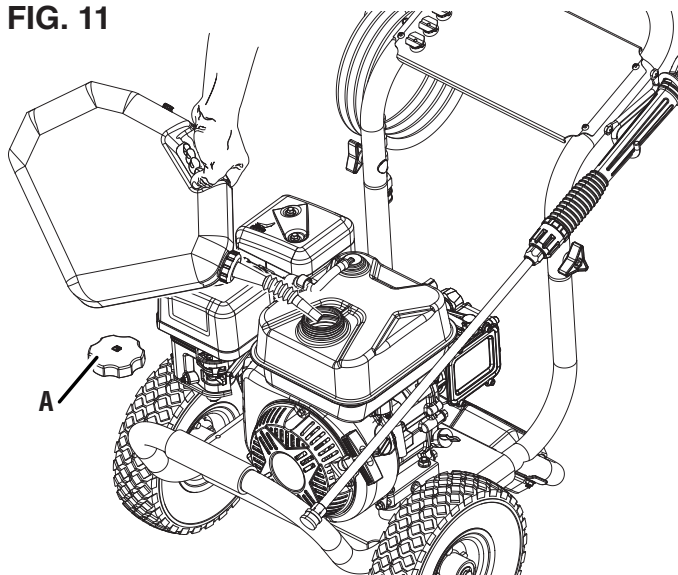
## AVIS

N'utilisez pas de carburant E15 ou E85 dans ce produit. Les dommages au moteur ou à l'équipement causés par du carburant vicié ou l'utilisation de carburants non approuvés (tels que les mélanges d'éthanol E15 ou E85) ne sont pas couverts par la garantie. N'utilisez que de l'essence sans plomb contenant jusqu'à 10% d'éthanol.



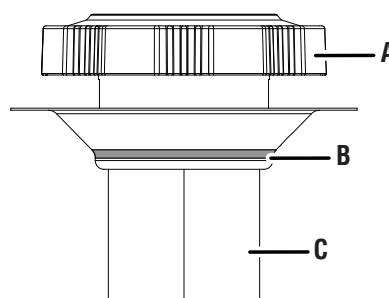
- Utilisez toujours de l'essence sans plomb PROPRE, FRAÎCHE, indice d'octane 87-93. N'utilisez JAMAIS d'essence VIEILLE, VIEILLE ou CONTAMINÉE.
- Jusqu'à 10% d'éthanol (essence-alcool) est acceptable (le cas échéant; un carburant sans éthanol est recommandé).
- N'utilisez PAS E85 ou E15.
- NE PAS utiliser de mélange de gazole.
- NE PAS modifier le moteur pour qu'il fonctionne avec des carburants alternatifs.

FIG. 11



A - Bouchon de réservoir

FIG. 12



A - Bouchon de réservoir

B - Filtre écran

C - Niveau maximum de carburant

# OPÉRATION

- NE PAS faire le plein à l'intérieur.
- NE PAS créer d'étincelle ou de flamme pendant le ravitaillement.

## UTILISATION DU STABILISATEUR DE CARBURANT

L'ajout d'un stabilisateur de carburant (non inclus) prolonge la durée de vie utile du carburant et aide à empêcher la formation de dépôts qui peuvent obstruer le système de carburant. Suivez les instructions d'utilisation du fabricant.

Mélangez toujours la bonne quantité de stabilisateur de carburant avec de l'essence dans un bidon d'essence approuvé avant de faire le plein du nettoyeur haute pression. Faites fonctionner le nettoyeur haute pression pendant deux minutes pour permettre au stabilisateur de traiter tout le système d'alimentation en carburant.

## AJOUT D'ESSENCE

Voir figures 11 et 12.

**⚠ DANGER** Risque d'incendie et d'explosion. Ne remplissez pas trop le réservoir de carburant. Remplissez uniquement jusqu'au bas du goulot de remplissage. Un remplissage excessif peut entraîner un déversement de carburant sur le moteur et provoquer un incendie ou une explosion.

**⚠ DANGER** Risque d'incendie et d'explosion. Ne faites jamais le plein de la laveuse à pression lorsque le moteur tourne. Arrêtez toujours le moteur et laissez le nettoyeur haute pression refroidir pendant deux minutes avant de faire le plein.

**⚠ AVERTISSEMENT** Risque d'incendie et d'explosion. N'utilisez jamais de bidon d'essence, de réservoir d'essence ou tout autre élément de carburant cassé, coupé, déchiré ou endommagé.

**AVIS** Remplissez le réservoir uniquement à partir d'un bidon d'essence approuvé. Assurez-vous que l'intérieur du bidon d'essence est propre et en bon état pour éviter la contamination du système d'alimentation.

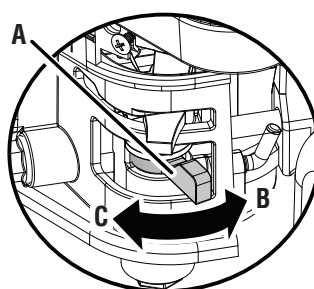
- Éteignez le nettoyeur haute pression et laissez-le refroidir pendant au moins deux minutes avant de faire le plein.
- Placez le nettoyeur haute pression sur un sol plat dans un endroit bien ventilé.
- Nettoyez la zone autour du bouchon de carburant et retirez le bouchon lentement.
- Ajoutez lentement le carburant recommandé. Ne pas trop remplir. Remplissez uniquement jusqu'au haut du filtre à carburant visible dans le goulot de remplissage.

- Installez le bouchon de réservoir et serrez jusqu'à ce qu'un clic se fasse entendre.

**AVIS** Le carburant peut endommager la peinture et le plastique. Soyez prudent lors du remplissage du réservoir de carburant. Les dommages causés par du carburant renversé ne sont pas couverts par la garantie.

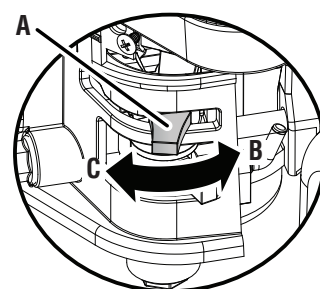
**AVIS** Nettoyez le filtre à carburant des débris avant et après chaque remplissage. Retirez le filtre du filtre à carburant en le comprimant légèrement tout en le retirant du réservoir de carburant.

FIG. 13



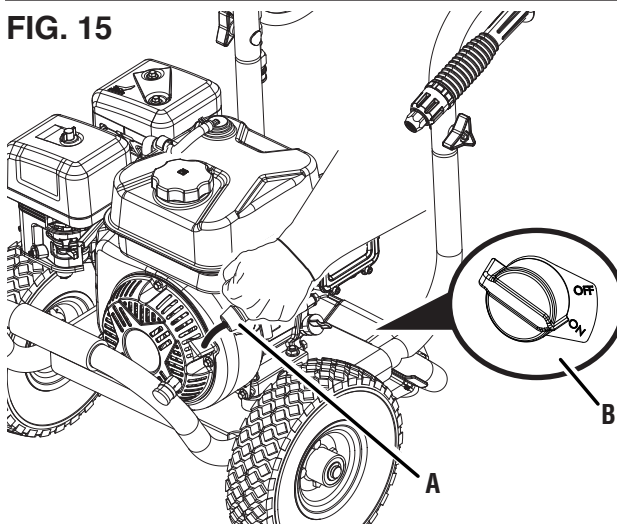
A - Levier de carburant  
B - Marche  
C - Arrêt

FIG. 14



A - Starter  
B - Courir  
C - Démarrer

FIG. 15



A - Poignée de recul  
B - Interrupteur marche/arrêt

# OPÉRATION

## EMPLACEMENT DU NETTOYEUR HAUTE PRESSION

**⚠ DANGER** Risque d'asphyxie. N'utilisez jamais le nettoyeur haute pression dans un espace clos. Les gaz d'échappement du moteur contiennent du monoxyde de carbone qui peut tuer en quelques minutes. Ne faites fonctionner le nettoyeur haute pression qu'à l'extérieur et loin des fenêtres, des portes et des événements. Placez le nettoyeur haute pression dans un endroit bien ventilé. NE PAS placer le nettoyeur haute pression près des événements ou des entrées où les gaz d'échappement pourraient être aspirés dans des espaces occupés ou confinés. Tenez soigneusement compte des courants d'air et du vent lors du positionnement du nettoyeur haute pression.

Ce nettoyeur haute pression doit avoir au moins 5 pieds (1,5 m) de dégagement des matériaux combustibles. Laisser au moins 3 pi (0,91 m) de dégagement sur tous les côtés du nettoyeur haute pression pour permettre un refroidissement, une maintenance et un entretien adéquats.

## AVANT DE DÉMARRER LE MOTEUR

Vérifier que:

- Le nettoyeur haute pression est placé dans un endroit approprié.
- Le unité se trouve sur une surface sèche, plane et de niveau.
- Le moteur est rempli d'huile.

## DÉMARRAGE DU MOTEUR

Voir figures 13 à 15.

**⚠ AVERTISSEMENT** Portez toujours des lunettes de sécurité ou des lunettes de sécurité avec écrans latéraux et, si nécessaire, un écran facial complet ainsi qu'une protection auditive complète lorsque vous utilisez ce produit.

**AVIS** Le fonctionnement de l'unité pendant plus d'une minute sans pulvérisation d'eau entraîne une accumulation de chaleur dans la pompe. Dans le cas où la pompe deviendrait trop chaude, une soupape de décharge thermique s'ouvrira pour libérer l'eau chaude. Faire fonctionner l'unité sans pulvérisation d'eau peut endommager les composants de la pompe et annulera la garantie.

- Ouvrez l'alimentation en eau.
- Appuyez sur la gâchette du pistolet de pulvérisation pour purger tout l'air de la pompe et du tuyau. Cela peut prendre plusieurs minutes.
- Ne démarrez pas le moteur avant qu'un jet d'eau constant ne s'écoule de la buse.
- Mettez l'interrupteur du moteur en position ON.
- Tournez le robinet de carburant en position ON.
- Si le moteur est froid, placez le levier du starter en position CHOKE.

## SÉLECTION DES BUSES

	LAVAGE HAUTE PRESSION				LAVAGE À BASSE PRESSION
	ROUGE	JAUNE	VERT	BLANC	SAVON
	0°	15°	25°	40°	
Béton, brique, maçonnerie	!	!	✓	✓	✓
Revêtement, gouttières, maison	X	!	!	✓	✓
Clôture, terrasse, patio	X	!	!	✓	✓
Équipement de pelouse et de jardin, bateaux, VR	X	!	!	✓	✓
✓ Buse recommandée      ! Utiliser avec précaution      X Ne pas utiliser					

# OPÉRATION

- Tirez lentement sur la corde de démarrage jusqu'à ce qu'une résistance se fasse sentir, puis tirez rapidement.

**NOTE :** Si le moteur démarre brièvement puis s'arrête, appuyez sur la gâchette du pistolet pulvérisateur pour relâcher la pression avant d'essayer de redémarrer le moteur.

- Une fois le moteur démarré, placez le levier du starter en position RUN. Laissez le moteur se réchauffer légèrement avant utilisation.

## ARRÊT DU LAVEUSE À PRESSION

Pendant le fonctionnement normal, suivez les étapes suivantes pour arrêter le nettoyeur haute pression:

- Engager le verrouillage de la gâchette du pistolet de pulvérisation en position de sécurité.
- Mettez l'interrupteur OFF/ON du moteur en position OFF.
- Fermer le robinet de carburant.
- Coupez l'alimentation en eau.
- Déverrouillez la gâchette et appuyez sur la gâchette pendant 15 secondes pour dépressuriser le système.
- Débranchez le tuyau d'arrosage de l'arrivée d'eau.
- Effectuez toutes les étapes de la section APRÈS CHAQUE UTILISATION de ce manuel.

## PENDANT UNE URGENCE

S'il y a une urgence et que le nettoyeur haute pression doit être arrêté rapidement, poussez immédiatement l'interrupteur de commande du moteur en position OFF.

## UTILISATION DU PISTOLET DE PULVÉRISATION

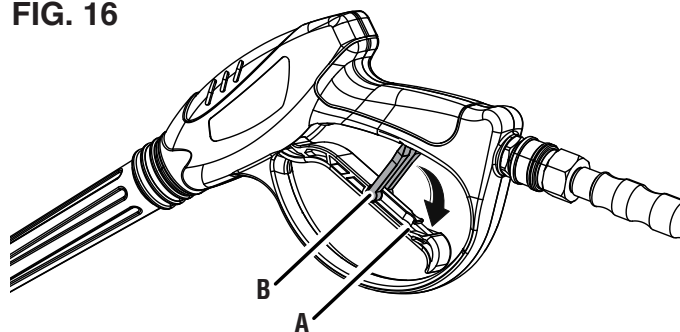
Voir figure 16.

**⚠ AVERTISSEMENT** Tenez le pistolet et la lance à deux mains (une main pour appuyer sur la gâchette et l'autre pour stabiliser le pistolet) jusqu'à ce que vous vous habituiez au "recul". Ne perdez pas le contrôle du pistolet pulvérisateur car vous pourriez vous blesser ou blesser d'autres personnes.

- Démarrez le nettoyeur haute pression.
- Libérez le verrou de sécurité en le poussant vers le bas dans la fente de la gâchette.
- Pressez et maintenez la gâchette pour démarrer l'écoulement de l'eau.
- Relâchez la gâchette pour arrêter le débit d'eau.
- Verrouillez la gâchette en la poussant jusqu'à sa position d'origine.

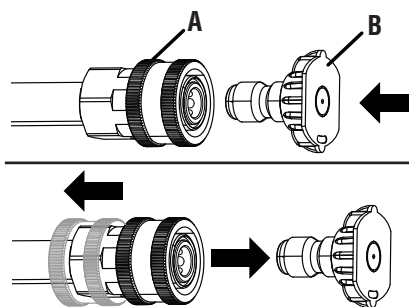
**NOTE :** Appuyez sur la gâchette pour vous assurer qu'elle est verrouillée et qu'elle ne bougera pas. Gardez

FIG. 16



- A - Déclencheur
- B - Verrouillage de sécurité

FIG. 17



- A - Collier de connexion rapide
- B - Buse

TOUJOURS le pistolet pulvérisateur verrouillé lorsqu'il n'est pas utilisé.

## SÉLECTION DES BUSES

Le coupleur à connexion rapide sur la lance de pulvérisation permet de changer entre les buses pendant que le nettoyeur haute pression fonctionne.

**⚠ AVERTISSEMENT** Engagez toujours le verrouillage de la détente avant de changer une buse.

**AVIS** Utilisez uniquement les buses fournies avec les nettoyeurs haute pression. L'utilisation de toute autre buse peut affecter les performances et annuler la garantie. Pour les buses de remplacement, appelez le (855) 944-3571.

## CHANGER LA BUSE

Voir figure 17.

Tirez le collier de connexion rapide à l'extrémité de la lance de pulvérisation. Insérez la buse puis relâchez le collier. Tirez sur la buse pour vous assurer qu'elle est bien fixée.

## CONSEILS DE PULVÉRISATION

Pour la plupart des nettoyages, éloignez la buse de 20 à 61 cm (8 à 24 po) de la surface de nettoyage.

- La surface de nettoyage peut être endommagée si vous pulvérisez trop près, en particulier avec des buses haute pression.



# OPÉRATION

- Lorsque vous commencez à pulvériser, commencez plus loin et rapprochez-vous pour éviter d'endommager la surface.
- Pour éviter d'endommager les pneus, laissez au moins 6 po (15 cm) entre un pneu et la buse.

## UTILISATION DE DÉTERGENT

Voir figure 18.

L'utilisation de détergents peut réduire considérablement le temps de nettoyage et aider à éliminer les taches difficiles. De nombreux détergents sont personnalisés pour une utilisation avec un nettoyeur haute pression pour des tâches de nettoyage spécifiques. Lors de la pulvérisation de détergent, le détergent sera dilué à 1:12. Environ 621 ml (21 oz) de détergent seront consommés du réservoir pour chaque minute pulvérisée.

### AVIS

N'utilisez que des détergents conçus pour les nettoyeurs haute pression. Les détergents pour laveuses à pression sont aussi épais que l'eau. L'utilisation de détergents plus épais, comme du savon à vaisselle, obstruera le système d'injection de produits chimiques. N'utilisez pas de détergents ménagers, d'acides, d'alcalins, d'agents de blanchiment, de solvants, de matières inflammables ou de solutions de qualité industrielle, qui peuvent endommager la pompe ou causer des dommages matériels.

Préparez la solution de nettoyage comme indiqué sur le flacon de solution. Testez toujours dans un endroit peu visible avant de commencer. Vous pouvez nettoyer efficacement les surfaces en combinant l'action chimique des détergents avec des rinçages à haute pression. Sur les surfaces verticales, appliquez le détergent en commençant par le bas et en remontant. Cette méthode empêche le détergent de glisser vers le bas et de provoquer des stries. Commencez le rinçage haute pression par le bas et progressez vers le haut. Sur les taches particulièrement tenaces, utilisez une brosse en combinaison avec des détergents et un rinçage haute pression.

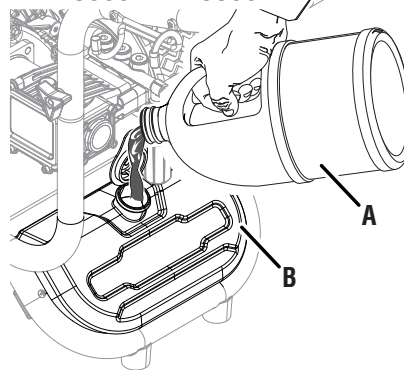
- **Pour WPX3600 et WPX3800**, remplissez le réservoir de détergent avec une solution de nettoyage.
- **Pour le WPX4400**, fixez le tuyau du siphon au connecteur du nettoyeur haute pression. Insérez le tuyau du siphon dans la bouteille de solution de nettoyage.
- Installez la buse de détergent (noire) dans la lance de pulvérisation. Le détergent ne sera aspiré à travers la pompe que lorsque la buse de détergent noire est fixée à l'extrémité de la lance de pulvérisation.
- Assurez-vous que l'alimentation en eau est activée. Démarrez le moteur. Appuyez sur la gâchette pour pulvériser la solution détergente.

### AVIS

NE JAMAIS utiliser d'agent de blanchiment dans le réservoir de détergent. Cela endommagerait la pompe et annulerait la garantie.

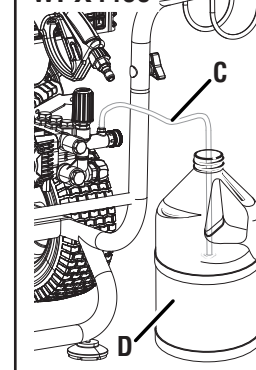
FIG. 18

WPX3600/WPX3800



A - Solution de nettoyage  
B - Réservoir de détergent

WPX4400



C - Tuyau de siphon  
D - Bouteille de détergent

- Utilisez de longs mouvements qui se chevauchent pour appliquer le savon. Attendez 3 à 5 minutes pour que le savon pénètre avant de rincer. Ne laissez pas le savon sécher sur la surface avant de rincer. Réappliquez du savon si nécessaire pour maintenir une surface humide pour que le savon pénètre.

## RINÇAGE DU SYSTÈME DE DÉTERGENT

Le système d'aspiration de détergent peut être rincé en retirant le tube d'aspiration du réservoir ou de la bouteille de détergent et en plaçant le tube dans un seau d'eau fraîche. Sur les WPX3600 et WPX3800, effectuer un rinçage du système uniquement lorsque le réservoir de détergent est vide.

- **Pour WPX3600 et WPX3800**, avec l'arrivée d'eau sur ON, la buse noire connectée à la lance du pistolet de pulvérisation et le moteur en marche, débranchez le tube d'aspiration du fond du réservoir de détergent.
- **Pour le WPX4400**, avec l'arrivée d'eau sur ON, la buse noire connectée à la lance du pistolet de pulvérisation et le moteur en marche, retirez le tuyau du siphon de la bouteille de détergent.
- Placez le tube d'aspiration dans un seau d'eau propre, déverrouillez la gâchette, puis appuyez sur la gâchette du pistolet de pulvérisation pour rincer le système.
- **Pour WPX3600 et WPX3800**, engagez le verrouillage de la gâchette puis réinstallez le tube d'aspiration sur le réservoir de détergent.

## APRÈS CHAQUE UTILISATION

- Verrouillez la gâchette du pistolet pulvérisateur.
- Éteignez le moteur, puis coupez l'alimentation en eau.
- Déverrouillez la gâchette et appuyez sur la gâchette pendant 15 secondes pour dépressuriser le système.
- Laissez refroidir le nettoyeur haute pression.
- Débranchez le tuyau haute pression et le tuyau d'arrivée d'eau.



# OPÉRATION

- Vidangez les tuyaux, le pistolet de pulvérisation et la rallonge de buse.
- Engagez le verrouillage de la gâchette sur le pistolet de pulvérisation.
- Essuyez toute l'eau restante avec un chiffon propre et sec.
- Lorsque le nettoyeur haute pression est éteint, tirez sur la poignée de recul 5 à 6 fois. Cela devrait éliminer la plupart du liquide restant à l'intérieur de la pompe.
- Stockez le nettoyeur haute pression dans un endroit propre et sec.

## TRANSPORTE

**⚠ PRECAUCIÓN** Peligro de peso. Siempre tenga ayuda cuando levante la hidrolimpiadora.

- Deje que la lavadora a presión se enfríe un mínimo de 30 minutos antes de transportarla.

- Utilice únicamente el marco fijo de la hidrolimpiadora a presión para levantar la unidad o sujetar cualquier restricción de carga, como cuerdas o correas de sujeción. No intente levantar o asegurar la lavadora a presión sujetándola por ninguno de sus otros componentes.
- Mantenga la unidad nivelada durante el transporte para minimizar la posibilidad de fugas de combustible o, si es posible, drene el combustible o haga funcionar el motor hasta que el tanque de combustible esté vacío antes del transporte.
- Las ruedas de la hidrolimpiadora están diseñadas únicamente para el transporte manual. Las ruedas no son adecuadas para remolcar la hidrolimpiadora ni en carretera ni fuera de ella.

**⚠ PRECAUCIÓN** Peligro de incendio. No levante la lavadora a presión ni la coloque de lado. Se pueden producir fugas de combustible o aceite y se pueden producir daños en la lavadora a presión.

# ENTRETIEN

## CALENDRIER D'ENTRETIEN

**⚠ AVERTISSEMENT** Débranchez le soufflet de bougie d'allumage de la bougie d'allumage lors de l'entretien du nettoyeur haute pression.

Un entretien régulier améliorera les performances et prolongera la durée de vie du nettoyeur haute pression. Suivez les intervalles horaires ou calendaires, selon la première éventualité. Un entretien plus fréquent est nécessaire lors du fonctionnement dans des conditions défavorables, comme indiqué ci-dessous.

Avant chaque utilisation	
	Vérifier l'huile du moteur et de la pompe
	Vérifier le tamis et le joint d'entrée d'eau
	Nettoyer autour de l'admission d'air et du silencieux
Après les 5 premières heures	
	Changez l'huile du moteur
Après les 20 premières heures	
	Changer l'huile de la pompe
Après 50 heures ou chaque saison	
	Filtre à air propre
	Changer l'huile moteur en cas de fonctionnement sous forte charge ou dans des environnements chauds
Après 100 heures ou chaque saison	
	Inspecter / nettoyer le pare-étincelles
	Inspecter / nettoyer la bougie d'allumage
	<b>Inspecter / régler le jeu des soupapes *</b>

### Après 300 heures

	Remplacer la bougie
	Remplacer le filtre à air

\* Il est recommandé que le service soit effectué par un concessionnaire Westinghouse agréé.

## NETTOYAGE DU NETTOYEUR HAUTE PRESSION

**⚠ PRÉCAUTION** NE vaporisez PAS d'eau sur le nettoyeur haute pression. L'eau peut contaminer le système d'alimentation en carburant et entrer dans le moteur par les fentes de refroidissement et endommager le moteur.

- Utilisez un chiffon humide pour nettoyer les surfaces extérieures du nettoyeur haute pression.
- Utilisez une brosse à poils doux pour enlever la saleté et l'huile.
- Utilisez un compresseur d'air (25 PSI) pour éliminer la saleté et les débris du nettoyeur haute pression.
- Inspectez toutes les bouches d'aération et les fentes de refroidissement pour vous assurer qu'elles sont propres et non obstruées.

## NETTOYAGE DES BUSES DE PULVÉRISATION

*Voir figure 19.*

Détachez la buse de la lance de pulvérisation. Utilisez l'outil de nettoyage de buse inclus pour détacher les particules présentes dans la buse. Rincer à l'eau.

# ENTRETIEN

## NETTOYAGE DU FILTRE À AIR

Voir figure 20.

**⚠ AVERTISSEMENT** Risque d'incendie.  
N'utilisez jamais d'essence ou d'autres solvants inflammables pour nettoyer le filtre à air.

Le filtre à air doit être nettoyé toutes les 50 heures d'utilisation ou six mois (la fréquence doit être augmentée si le nettoyeur haute pression est utilisé dans un environnement poussiéreux).

- Placez le nettoyeur haute pression sur une surface plane et laissez le moteur refroidir pendant plusieurs minutes.
- Utilisez vos doigts pour dévisser la vis à oreilles sur le dessus de l'ensemble de filtre à air. Retirez l'écrou à oreilles, puis retirez le filtre à air.
- Utilisez de l'air comprimé pour nettoyer le filtre à air de l'intérieur vers l'extérieur.

**NOTE :** L'élément de filtre à air extérieur en mousse n'est pas destiné à être retiré. S'il est déchiré, remplacez le filtre à air.

## CONTRÔLE DU NIVEAU D'HUILE MOTEUR

Voir figure 21.

**⚠ PRÉCAUTION** Évitez tout contact cutané avec l'huile moteur. Portez des vêtements et des équipements de protection. Laver toute la peau exposée avec du savon et de l'eau.

**AVIS** Utilisez toujours l'huile moteur spécifiée. Le fait de ne pas utiliser l'huile moteur spécifiée peut provoquer une usure accélérée et / ou réduire la durée de vie du moteur.

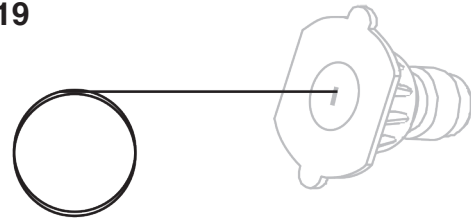
Lorsque vous utilisez le nettoyeur haute pression dans des conditions extrêmes, sales, poussiéreuses ou par temps extrêmement chaud, changez l'huile plus fréquemment.

La température de l'air ambiant affectera les performances de l'huile moteur. Changer le type d'huile moteur utilisé en fonction des conditions météorologiques.

Type d'huile moteur recommandé									
		10W-30							
	5W-30						10W-40		
	5W-30 Synthétique								
°F	-20	0	20	40	60	80	100	120	
°C	-28.9	-17.8	-6.7	4.4	15.6	26.7	37.8	48.9	
Température ambiante									

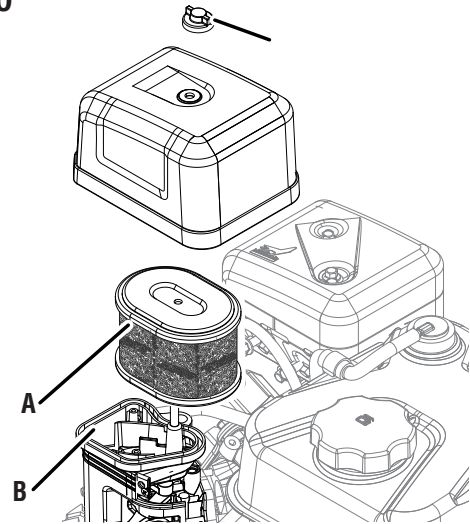
Vérifiez le niveau d'huile moteur avant chaque utilisation.

FIG. 19



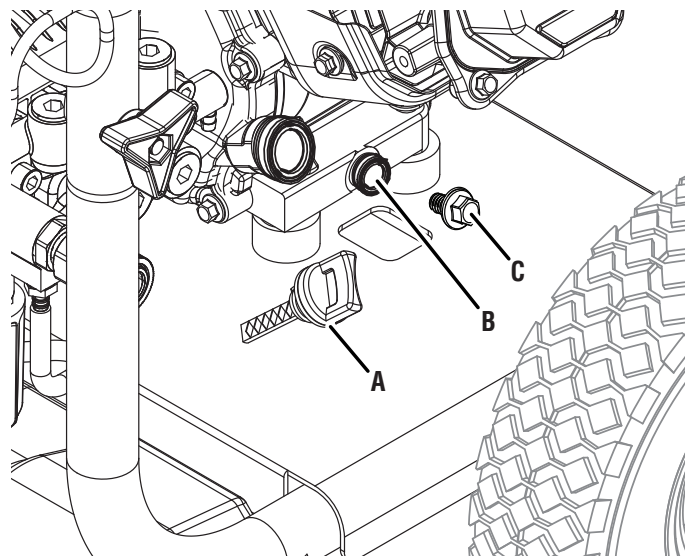
A - Outil de nettoyage des buses  
B - Buse

FIG. 20



A - Filtre à air  
B - Ensemble filtre à air  
C - Écrou à oreilles

FIG. 21



A - Bouchon/jauge d'huile  
B - Trou de vidange  
C - Vis de vidange d'huile

# ENTRETIEN

- Placez le nettoyeur haute pression sur une surface plane et laissez le moteur refroidir pendant plusieurs minutes.

- Avec un chiffon humide, nettoyez autour de la jauge d'huile.

**NOTE :** Il y a une jauge d'huile / un goulot de remplissage des deux côtés de l'unité. Soit peut être utilisé pour vérifier ou ajouter de l'huile.

- Retirez la jauge d'huile et essuyez la jauge.
- Visser complètement la jauge dans le goulot de remplissage d'huile. Retirez la jauge et vérifiez que le niveau d'huile est dans la plage de fonctionnement sécuritaire.
- Si le niveau est bas, ajoutez progressivement l'huile moteur recommandée et revérifiez jusqu'à ce que le niveau se situe entre les marques L et H de la jauge. Ne pas trop remplir. Si vous dépassez le repère plein (H) de la jauge, vidangez l'huile pour réduire le niveau d'huile au repère plein.
- Remplacez la jauge d'huile et serrez à la main.

## CHANGEMENT D'HUILE MOTEUR

Voir figure 21.

Lorsque vous utilisez le nettoyeur haute pression dans des conditions extrêmes, sales, poussiéreuses ou par temps extrêmement chaud, changez l'huile plus fréquemment. Changer l'huile pendant que le moteur est encore chaud de fonctionnement.

- Placez le nettoyeur haute pression sur une surface plane et laissez le moteur refroidir pendant plusieurs minutes.
- Avec un chiffon humide, nettoyez autour de la jauge d'huile. Retirez la jauge et essuyez.
- Placez un carter d'huile (ou un récipient approprié) sous le boulon de vidange d'huile.
- À l'aide d'une clé de 10 mm, retirez le boulon de vidange d'huile et laissez l'huile s'écouler.
- Installez le boulon de vidange d'huile et serrez fermement.
- Versez lentement l'huile dans le goulot de remplissage d'huile jusqu'à ce que le niveau d'huile se situe entre les marques L et H de la jauge. Arrêtez-vous fréquemment pour vérifier le niveau d'huile. Ne pas trop remplir.

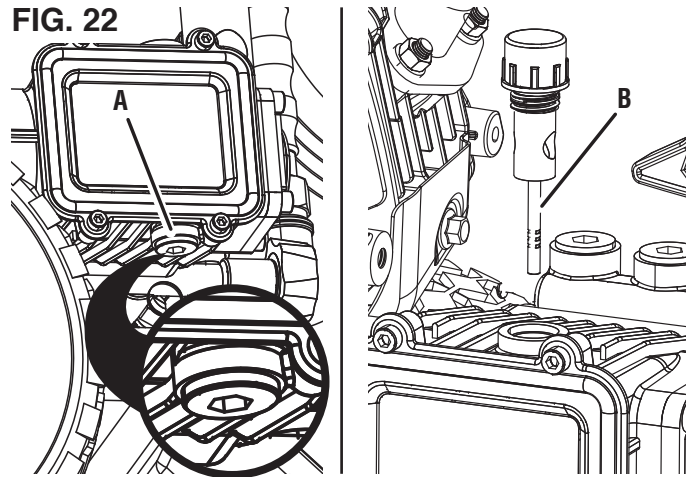
Capacité d'huile maximale: 20 onces (0,6 litre)

- Installez la jauge d'huile et serrez à la main.

### AVIS

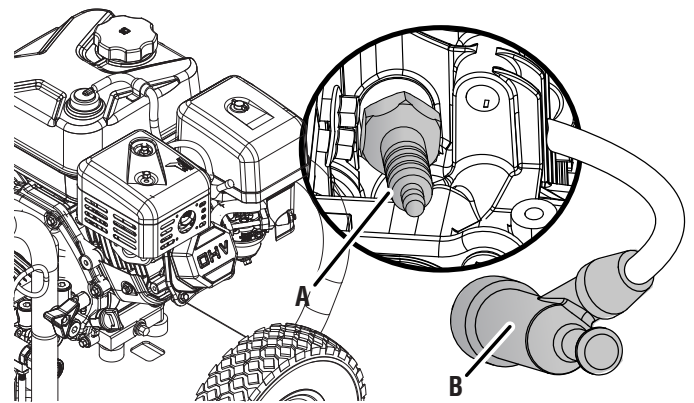
Ne polluez pas. Suivez les directives de l'EPA ou d'autres agences gouvernementales pour l'élimination appropriée des matières dangereuses. Consultez les autorités locales ou le centre de remise en état.

FIG. 22



A - Oil pump drain bolt  
B - Oil pump dipstick

FIG. 23



A - Bougie  
B - Capuchon de bougie

## VIDANGE D'HUILE DE POMPE

Voir figure 22.

Après 20 heures d'utilisation, changez l'huile de la pompe à eau. L'huile doit ensuite être changée une fois par an. Lors du remplacement de l'huile de la pompe, utilisez uniquement SAE85W-90.

**NOTE :** La capacité d'huile de ces unités est d'environ 230 à 250 ml.

- Placez un récipient sous la pompe pour récupérer l'huile usagée.
- Desserrez et retirez le boulon de vidange à douille hexagonale (8 mm dans le WPX3600/3800 ; et 17 mm dans le WPX4400. La douille n'est pas incluse.)
- Laissez l'huile s'écouler complètement dans le récipient.
- Remplacez le boulon de vidange de la douille et serrez-le fermement. Ne croisez pas le fil.
- Remplissez d'huile jusqu'au repère rouge situé dans la fenêtre de détection d'huile.

# ENTRETIEN

## MAINTENANCE DES BOUGIES

Voir figure 23.

Inspectez et nettoyez la bougie d'allumage toutes les 100 heures d'utilisation ou six mois. Remplacez la bougie d'allumage après 300 heures d'utilisation ou chaque année.

- Placez le nettoyeur haute pression sur une surface plane et laissez refroidir le moteur.
- Retirez le soufflet de bougie d'allumage en tirant fermement sur le soufflet d'allumage directement loin du moteur.
- Nettoyez la zone autour de la bougie.
- Retirez la bougie d'allumage avec la clé à douille de bougie incluse.

### AVIS

N'appliquez jamais de charge latérale et ne déplacez jamais la bougie d'allumage latéralement lors du retrait de la bougie.

- Inspectez la bougie d'allumage. Remplacez-les si les électrodes sont piquées, brûlées ou si l'isolant est fissuré. Utilisez uniquement une fiche de remplacement recommandée.

### Remplacement recommandé de la bougie d'allumage

Westinghouse Numéro de modèle	Torch	NGK
WPX3600/3800/4400	F7TC	BP7ES

- Mesurez l'écartement des électrodes de la bougie avec une jauge d'épaisseur à fil. Si nécessaire, corrigez l'écart en pliant soigneusement l'électrode latérale.

**Ecartement électrode bougie:** 0.024 – 0.032 in. (0.60 – 0.80 mm)

- Installez soigneusement la bougie à la main, puis serrez de 3/8 à 1/2 tour supplémentaire avec la clé à bougie.
- Fixez le soufflet de bougie.

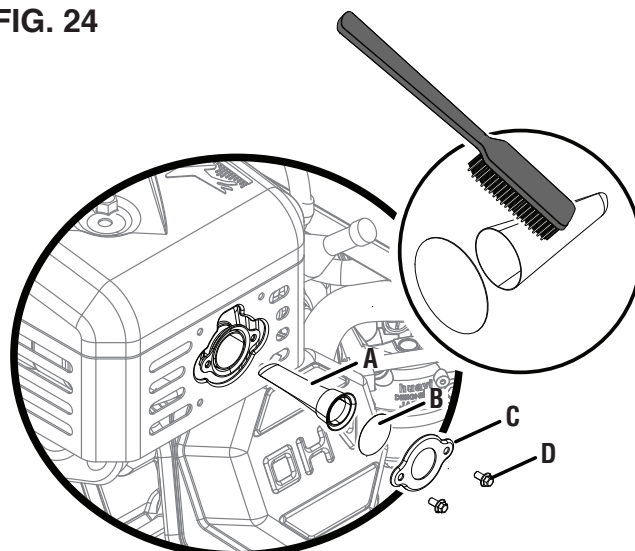
## SERVICE DE PARE-ÉTINCELLES

Voir figures 24 et 25.

Laissez le silencieux refroidir complètement avant de réparer le pare-étincelles. Vérifiez et nettoyez le pare-étincelles toutes les 100 heures d'utilisation ou chaque saison. Le fait de ne pas nettoyer le pare-étincelles entraînera une dégradation des performances du moteur.

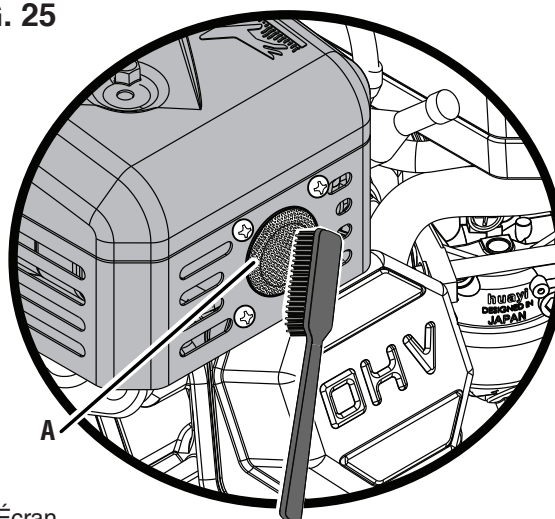
- Placez le nettoyeur haute pression sur une surface plane.
- Retirez soigneusement les dépôts de carbone de l'écran pare-étincelles avec une brosse métallique. Le pare-étincelles doit être exempt de cassures et de déchirures. Remplacez le pare-étincelles s'il est endommagé.

FIG. 24



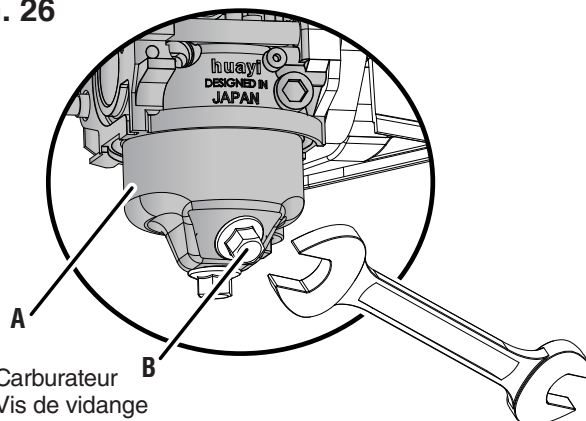
- A - Pare-étincelles
- B - Écran
- C - Support
- D - Vis

FIG. 25



- A - Écran

FIG. 26



- A - Carburateur
- B - Vis de vidange



# ENTRETIEN

## VIDANGE DU FLOTTEUR

Voir figure 26.

- Tourner le robinet du réservoir de carburant en position OFF.
- Localisez la vis de vidange au fond de la cuve du flotteur du carburateur.
- Placez un bidon d'essence approprié sous la vis de vidange pour récupérer le carburant vidangé.
- Desserrez la vis de vidange de la cuve du flotteur et laissez le carburant s'écouler. Serrez la vis de vidange de la cuve du flotteur.

## VIDANGE DU RÉSERVOIR DE CARBURANT

Voir figure 27.

Si vous entreposez le nettoyeur haute pression pendant plus de six mois, vidangez le réservoir de carburant pour éviter la séparation, la détérioration et les dépôts de carburant dans le système de carburant.

- Vidangez le bol du flotteur.
- Dévissez le bouchon du réservoir de carburant. Retirez le filtre à carburant en le comprimant légèrement tout en le retirant du réservoir.
- À l'aide d'une pompe à essence disponible dans le commerce (non incluse), siphonnez l'essence du réservoir de carburant dans un réservoir d'essence approuvé. N'utilisez PAS de pompe électrique.
- Réinstaller le filtre à carburant et le bouchon du réservoir de carburant.
- Retirez la bougie.
- Mettez une cuillère à café d'huile moteur dans le cylindre et tirez sur la poignée de recul jusqu'à ce qu'une résistance se fasse sentir. Dans cette position, le piston remonte sur sa course de compression et les deux soupapes sont fermées. Le stockage du moteur dans cette position aidera à prévenir la corrosion interne. Remettez doucement la poignée de recul.
- Réinstaller la bougie d'allumage. Laissez le soufflet de bougie débranché pour éviter un démarrage accidentel.

## LE JEU DES SOUPAPES

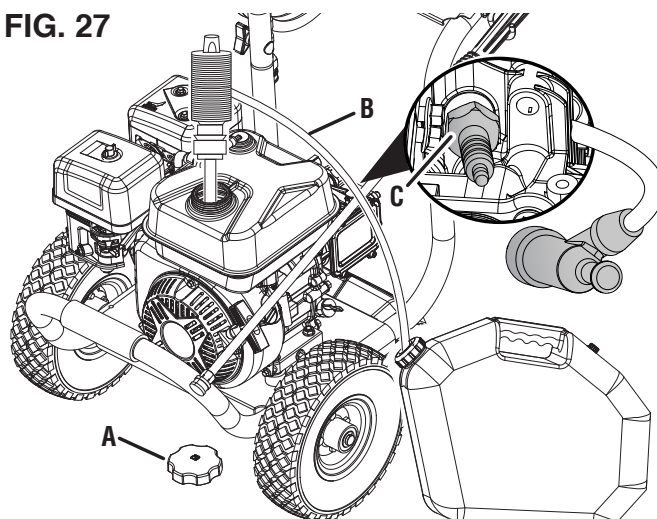
Voir figures 28 et 29.

### AVIS

Le contrôle et le réglage du jeu des soupapes doivent être effectués lorsque le moteur est froid.

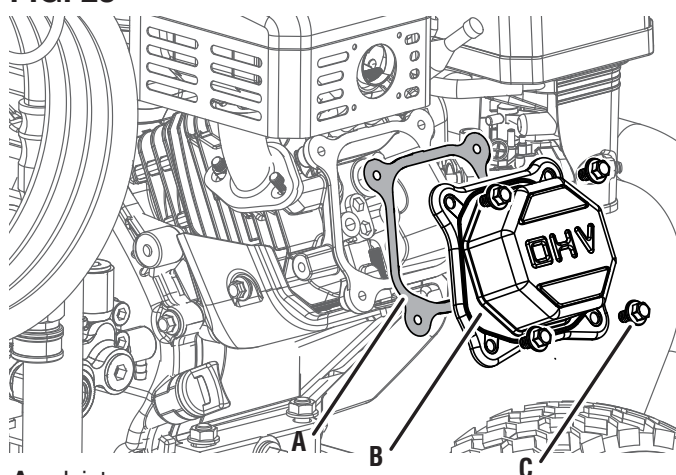
- Retirez le couvercle du culbuteur et retirez soigneusement le joint. Si le joint est déchiré ou endommagé, il doit être remplacé.
- Retirez la bougie d'allumage pour que le moteur puisse tourner plus facilement.

FIG. 27



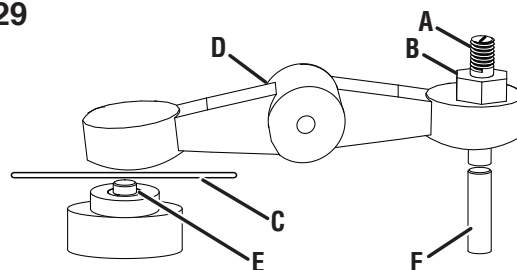
- A - Bouchon de réservoir
- B - Siphon
- C - Bougie

FIG. 28



- A - Joint
- B - Cache culbuteurs
- C - Boulons

FIG. 29



- A - Vis de réglage
- B - Contre-écrou
- C - Jauge d'épaisseur
- D - Culbuteur
- E - Tige de soupape
- F - Tige de poussée

- Faites tourner le moteur jusqu'au point mort haut (PMH) en tirant lentement sur la poignée de recul. En regardant à travers le trou de la bougie, le piston doit être en haut (les deux soupapes sont fermées).



# ENTRETIEN

- Les deux culbuteurs doivent être desserrés au PMH sur la course de compression. Si ce n'est pas le cas, faites tourner le moteur à 360 °.
- Insérez une jauge d'épaisseur entre le culbuteur et la tige de soupape pour mesurer le jeu des soupapes.

	Soupape d'admission	La soupape d'échappement
<b>Le jeu des soupapes</b>	0.0031 – 0.0047 in (0.08 – 0.12 mm)	0.0051 – 0.0067 in (0.13 – 0.17 mm)
<b>Couple</b>	8-12 N·m	8-12 N·m

- Si un réglage est nécessaire, maintenez le pivot du culbuteur et desserrez l'écrou de réglage du pivot.
- Tournez le pivot du culbuteur pour obtenir le jeu spécifié. Maintenez le pivot du culbuteur et resserrez l'écrou de réglage du pivot au couple spécifié.

## Couple: 106 inch-pound (12 N·m)

- Exécutez cette procédure pour l'autre vanne.
- Installez le joint, le couvercle du culbuteur et la bougie d'allumage.

## INSTALLER LA POIGNÉE POUR LE STOCKAGE

Voir figure 30.

- Retirez le bouton et le boulon.
- Inversez la poignée pour qu'elle soit tournée vers le nettoyeur haute pression. Réinstaller sur le cadre inférieur.
- Insérez le boulon à travers le cadre et fixez-le avec le bouton de la poignée.

## STOCKAGE

Une préparation de stockage appropriée est nécessaire pour un fonctionnement sans problème et la longévité du nettoyeur haute pression.

### AVIS

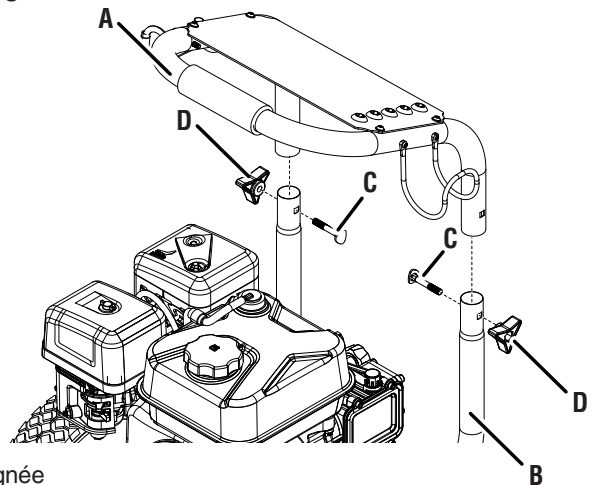
L'essence stockée pendant aussi peu que 30 jours peut se détériorer, provoquant une accumulation de gomme, de vernis et de corrosion dans les conduites de carburant, les passages de carburant et le moteur. Cette accumulation corrosive restreint le débit de carburant, ce qui peut empêcher le moteur de démarrer après une période de stockage prolongée. L'utilisation d'un stabilisateur de carburant augmente considérablement la durée de stockage de l'essence. Il est recommandé d'utiliser à plein temps le stabilisateur de carburant. Suivez les instructions d'utilisation du fabricant.



### AVERTISSEMENT

Ne stockez jamais un nettoyeur haute pression avec du carburant dans le réservoir à l'intérieur ou dans un endroit mal ventilé où les vapeurs peuvent entrer en contact avec une source d'inflammation telle qu'une veilleuse d'une cuisinière, d'un chauffe-eau, d'un sèche-linge ou de tout autre appareil à gaz, ou une étincelle d'un appareil électrique.

FIG. 30



- A - Poignée
- B - Châssis inférieur
- C - Boulon
- D - Poignée bouton

TEMPS DE STOCKAGE	PROCÉDURE RECOMMANDÉE
Moins de 1 mois	Aucun service requis.
2 à 6 mois	Faites le plein d'essence fraîche et ajoutez du stabilisateur d'essence. Vidangez le bol du flotteur du carburateur.
6 mois ou plus	Vidanger le réservoir de carburant et la cuve du flotteur du carburateur.

## STOCKÉ MOINS DE 30 JOURS

- Laisser le nettoyeur haute pression refroidir au moins 30 minutes avant de le ranger.
- Essuyez le nettoyeur haute pression avec un chiffon humide. Nettoyez tous les débris des événements de refroidissement du silencieux.
- Entrez le nettoyeur haute pression dans un endroit bien ventilé, propre et sec, loin des étincelles, des flammes nues, des veilleuses, de la chaleur et d'autres sources d'inflammation telles que les zones avec un moteur électrique produisant des étincelles ou où des outils électriques sont utilisés. Stocker dans un endroit non exposé à la lumière directe du soleil.
- Ne rangez pas le nettoyeur haute pression ou l'essence à proximité de fournaies, de chauffe-eau ou de tout autre appareil produisant de la chaleur ou ayant des allumages automatiques.

## STOCKÉ PENDANT PLUS DE 30 JOURS

Même un carburant correctement stabilisé peut laisser des résidus et provoquer de la corrosion s'il est laissé à long terme. Si vous stockez le nettoyeur haute pression pendant deux à six mois, vidangez le bol du flotteur pour éviter l'accumulation de gomme et de vernis dans le carburateur.

# ENTRETIEN

## STOCKAGE D'HIVER

Assurez-vous que le tuyau du nettoyeur haute pression est exempt de toute eau avant de le ranger pour l'hiver. Afin d'éviter la corrosion et d'empêcher la pompe à eau de

geler, vous devrez ajouter un antigel RV (non toxique) ou une protection de pompe similaire spécialement conçue pour les nettoyeurs haute pression. Suivez les instructions d'utilisation du fabricant.

## DÉPANNAGE

PROBLÈME	CAUSE POSSIBLE	CORRECTION
Le moteur ne démarre pas.	Vanne de carburant en position OFF.	Mettez le robinet de carburant en position ON.
	Pas de carburant.	Ajoutez du carburant.
	Choke en mauvaise position.	Réglez le starter.
	Fil de bougie d'allumage desserré.	Fixez le soufflet de bougie.
	Bougie d'allumage défectueuse.	Remplacez la bougie.
	Carburant vicié ou eau dans le carburant.	Vidanger le carburant et le remplacer par du carburant neuf.
	Filtre à air sale.	Nettoyez ou remplacez le filtre.
Le moteur s'arrête soudainement.	En panne d'essence.	Ajoutez du carburant.
	Huile faible.	Vérifiez l'huile et ajoutez si bas.
Le moteur tourne de manière irrégulière.	Choke en mauvaise position.	Réglez le starter.
	Huile faible.	Vérifiez l'huile et ajoutez si bas.
	Carburant vicié ou eau dans le carburant.	Vidanger le carburant et le remplacer par du carburant neuf.
	Bougie d'allumage défectueuse.	Remplacez la bougie.
L'unité n'atteint pas la haute pression.	Approvisionnement en eau limité.	Vérifiez les tuyaux pour les fuites, les blocages, les plis.
	Tuyau d'arrosage trop petit.	Utilisez 5/8 po. (0,025 mm) ou plus.
	Pas assez d'eau d'entrée.	Ouvrez complètement l'alimentation en eau du tuyau d'arrosage. Vérifiez les tuyaux pour les fuites, les blocages, les plis.
La pression de pulvérisation varie.	Mauvaise alimentation en eau.	
	Le filtre d'entrée du tuyau d'arrosage est obstrué.	Retirez le tuyau d'arrosage, nettoyez le filtre.
	La buse de pulvérisation est obstruée.	Retirez les particules avec l'outil de nettoyage des buses.
	Entrée d'air dans la pompe.	Vérifiez tous les tuyaux et raccords pour des connexions sécurisées. Lorsque l'alimentation en eau est en marche, arrêtez le moteur et purgez la pompe d'air en appuyant sur la gâchette jusqu'à ce qu'un flux d'eau régulier s'écoule.
Le lavage au détergent basse pression ne fonctionne pas.	Mauvaise buse installée sur la lance de pulvérisation.	Le détergent fonctionne uniquement avec une buse noire (basse pression) installée. Installez la buse noire. S'il manque, remplacez.
	Le détergent est trop épais.	Utilisez un détergent spécialement conçu pour les laveuses à pression.
	Le tuyau de détergent n'est pas connecté à la pompe.	Vérifiez les connexions des tuyaux.
	La buse de pulvérisation est obstruée.	Nettoyez la buse des débris.
	Le tuyau de détergent est bouché.	Retirez le tuyau de détergent et nettoyez-le. Remplacez.
	Blocage à l'intérieur de la soupape de détergent de la pompe.	Appuyez et relâchez rapidement la gâchette du pistolet de pulvérisation 4 à 5 fois pour dégager la soupape de détergent.
Le raccordement du tuyau d'arrosage fuit.	Raccords lâches.	Serrez les raccords.
	Rondelle en caoutchouc manquante / usée.	Vérifiez les rondelles d'arrivée d'eau du tuyau et de la pompe. Remplacez si manquant / usé.
La lance du pistolet de pulvérisation fuit.	Raccords lâches.	Vérifiez s'il y a des joints toriques usés ou des connexions desserrées.
	Rondelles en caoutchouc manquantes / usées.	Retirez la lance de pulvérisation et / ou le flexible haute pression. Vérifiez et remplacez les rondelles si nécessaire.
Impossible de tirer la poignée du lanceur à rappel.	Pression de la pompe.	Appuyez sur la gâchette du pistolet pulvérisateur pour relâcher la pression.



[www.WestinghouseOutdoorPower.com](http://www.WestinghouseOutdoorPower.com)  
Service Hotline (855) 944-3571  
777 Manor Park Drive, Columbus, OH 43228

® and Westinghouse are trademarks of Westinghouse Electric Corporation.  
Used under license by Westinghouse Outdoor Power Equipment.  
© 2023 MWE Investments, LLC All Rights Reserved.