

How to Install and Wire Stage Series Rock Lights



February 22, 2023 | [Print this Page](#)

[How to Install and Wire Stage Series Rock Lights](#)

[Stage Series Rock Lights](#) are the perfect solution to add useful light to your vehicle with their compact size and numerous mounting solutions. The following installation guide will provide you with basic instructions on how to mount and wire the **Stage Series Rock Light Kit**. This product should not be used on a 24V system. Disconnect the negative battery terminal before starting your installation.

1 ITEM(S) IN YOUR CART ^

Table of Contents

- [Mounting Video](#)
- [Installation Tools](#)
- [Mounting Instructions](#)
- [Wiring Instructions](#)
- [Questions About the Installation?](#)
- [Where Can I Buy Stage Series Rock Lights?](#)

Installation Tools

- A drill
- 7/32" or 15/64" bit
- 3/8" bit
- 3/4" bit
- zip ties (included with Stage Series Rock Lights)

Mounting Video

If you purchased a mounting adapter, check out the video below. Keep reading for standard mounting and wiring instructions!

How To Mount Your Stage Series Rock Lights! | ...



Mounting Instructions

Step 1 - Identify Mounting Location

Identify the location you would like to mount your Stage Series Rock Lights.

Step 2 - Prepare Rock Light for Mounting

Remove the outer lens from your rock light, then remove the center rubber dust seal.

Step 3 - Drill Mounting Hole

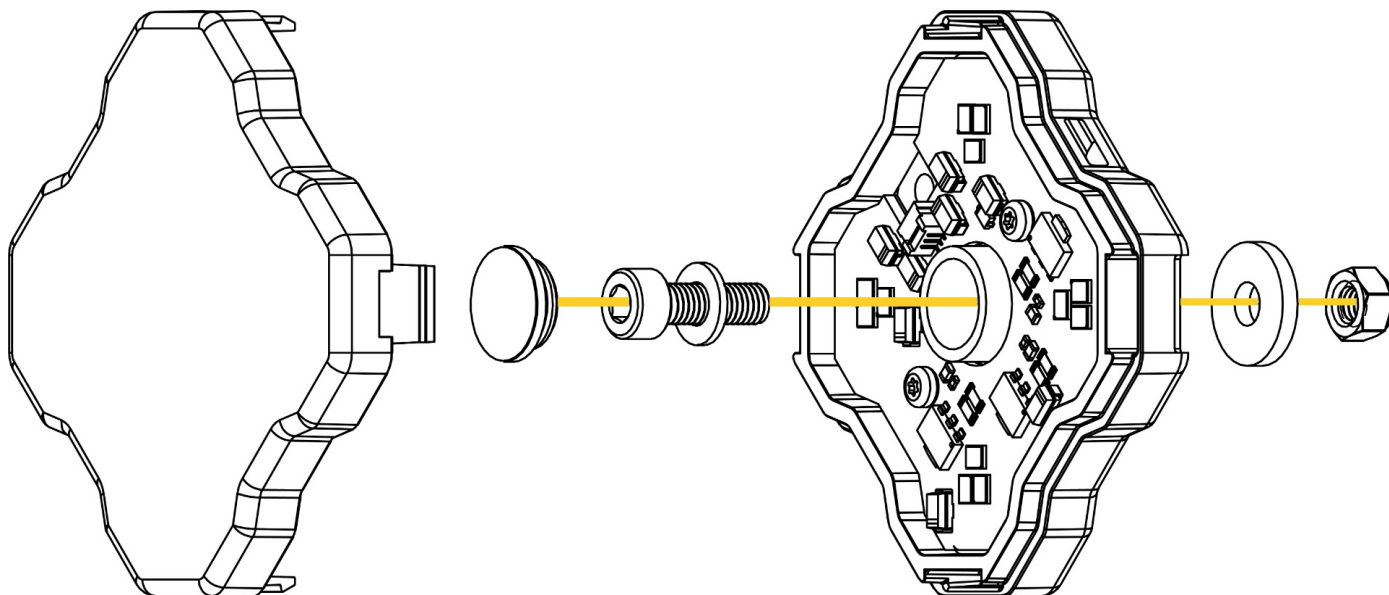
To mount the rock light using the center hole option, drill a hole using a 7/32" or 15/64" bit in your desired location.

Step 4 - Drill Wire Hole

If you would like to hide the wiring, line up the light over the hole you just drilled and drill an additional 3/8" hole in the appropriate location to run the wire through your mounting surface. Otherwise, pull the wiring to the side.

Step 5 - Mount Rock Light

Use the included nut, bolt, and washers to mount the light as shown in the diagram below.



Step 6 - Mount with Zip Ties (Optional)

You may alternatively use zip ties for mounting the rock light to any available attachment point, with integrated tabs on each side of the light.

Step 7 - Reassemble Rock Light

Reinstall the rubber dust seal and clip the lens into position.

Wiring Instructions

Step 8 - Route Switch Wiring

Determine a suitable location to mount the switch, near the battery or main power terminal. Route the switch wiring to that location.

Step 9 - Connect to Battery

Connect the red power input wire to the positive battery/power terminal. Connect the black ground wire to the negative battery terminal or a factory grounding point.

Step 10 - Select Switch Location

Determine a suitable location to mount the switch in the cabin of the vehicle.

Route the switch wiring to that location. This may require going through the vehicle firewall. We recommend following the path of the factory wiring harness, and unplugging the switch while routing the wires.

Step 11 - Mount the Switch

Drill a 3/4" hole and mount the switch. Reconnect wires to switch.

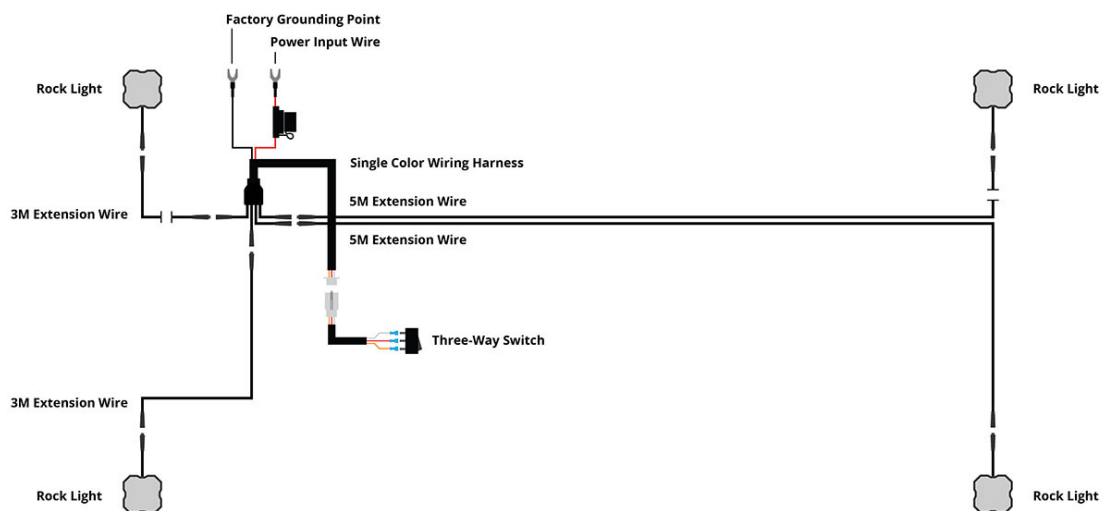
NOTE: The gold spade on the switch should be connected to the black (ground) wire.

Step 12 - Route the Extension Wires

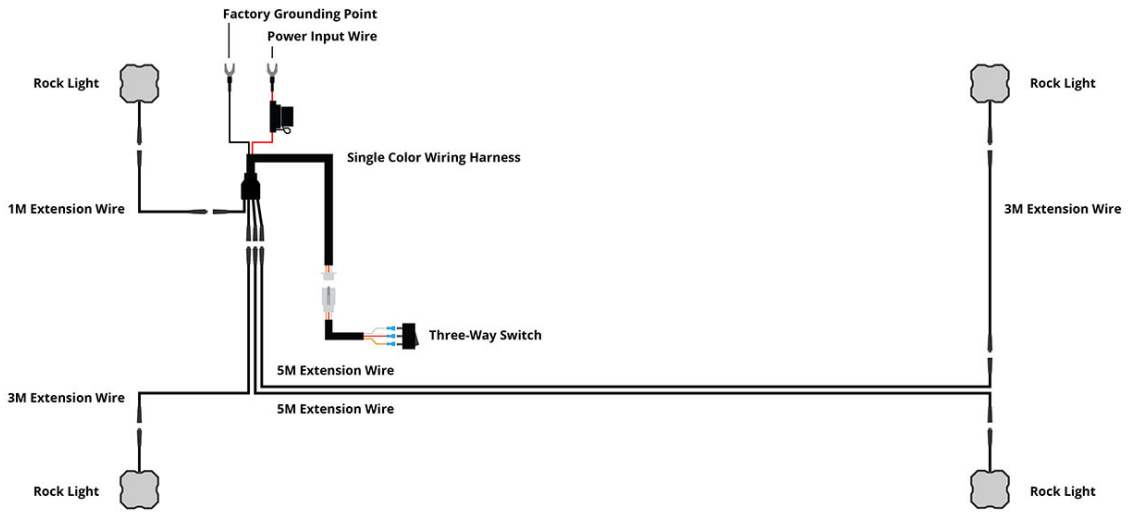
Identify the extension and splitter wires (included with 8-pack kits) included in your kit. Depending on the kit you ordered, you will have 3M and 5M extension wires. Route the extension wires to each LED, avoiding any moving parts or direct contact with heat sources. Following the factory wire loom is the best practice.

See the diagrams below for the most common way to wire the kit. Plug the output connector into the LED.

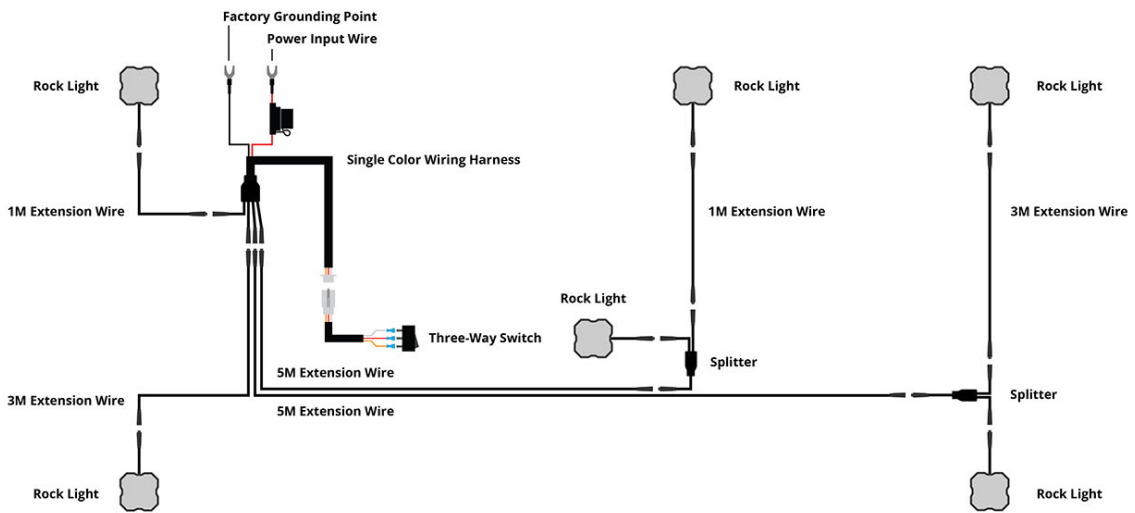
Rock Light Single Color Wiring Diagram - 4 Pack



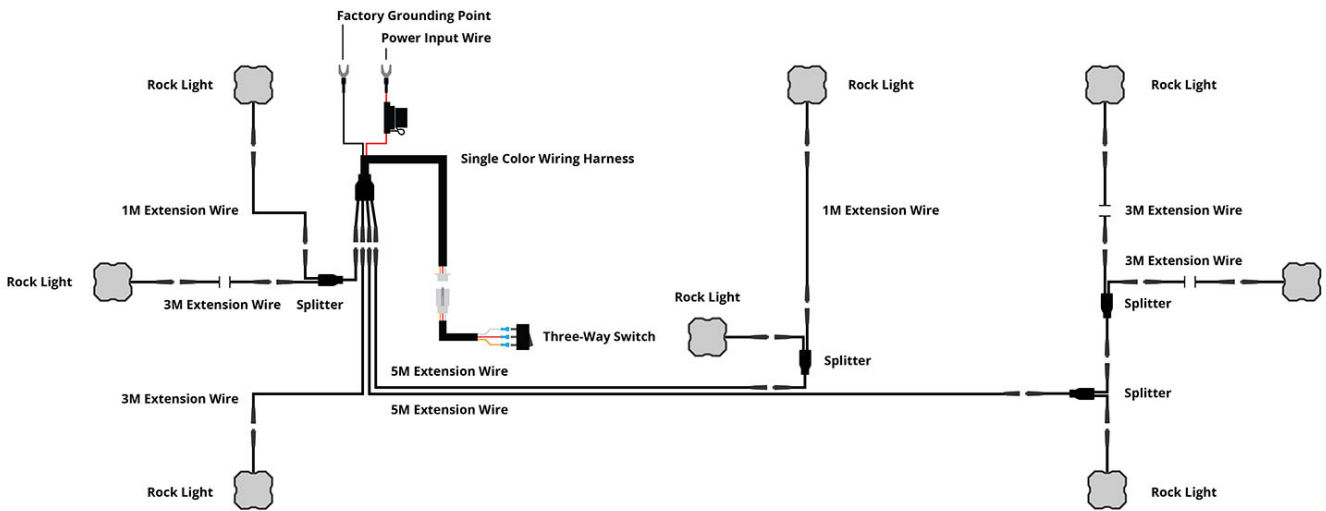
Rock Light Single Color Wiring Diagram - 4 Pack + 1M Extension



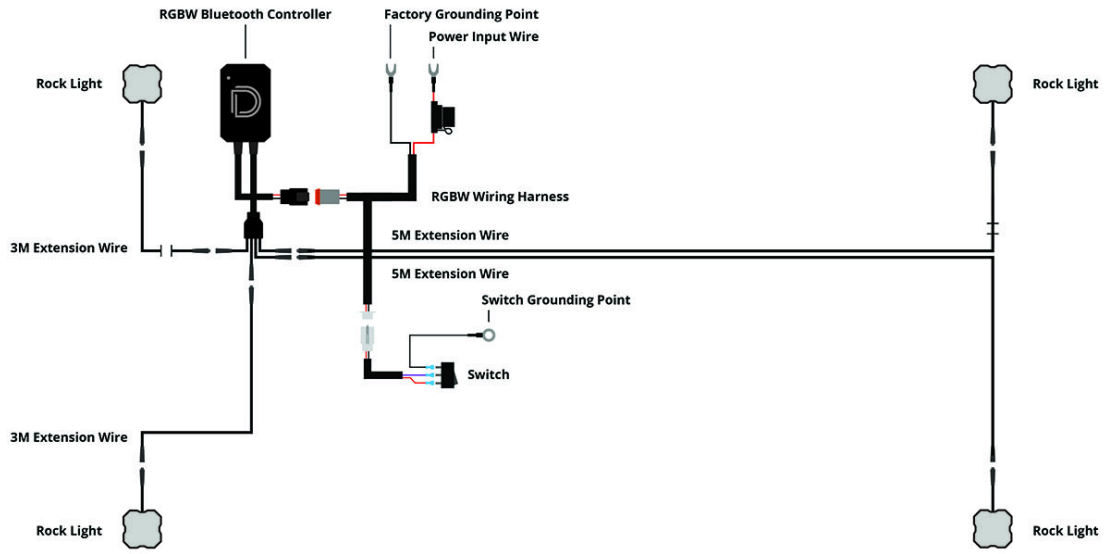
Rock Light Single Color Wiring Diagram - 4 Pack + 2 Pack Add-On



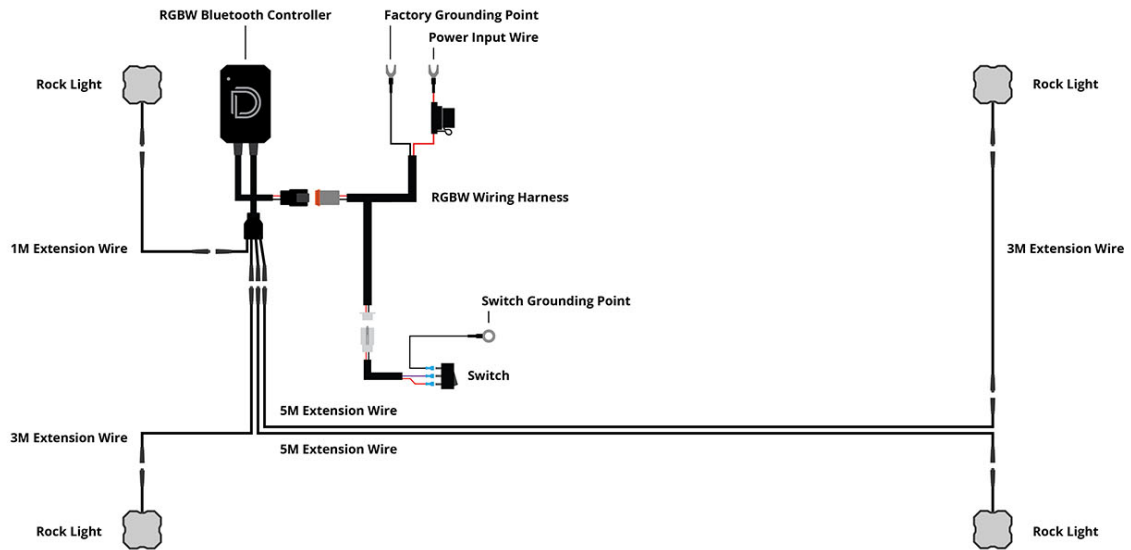
Rock Light Single Color Wiring Diagram - 8 Pack



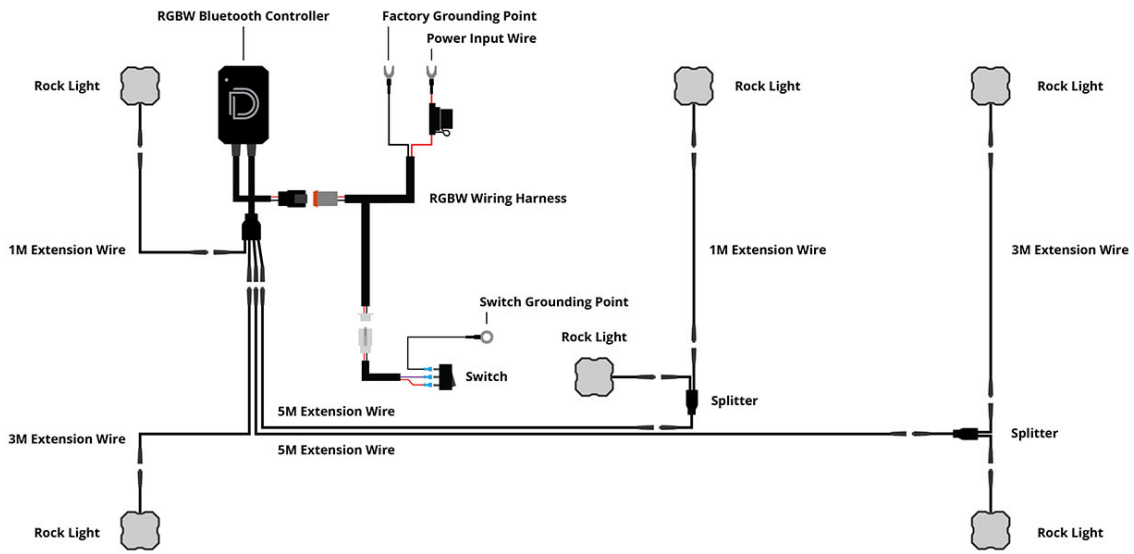
Rock Light RGBW Wiring Diagram - 4 Pack



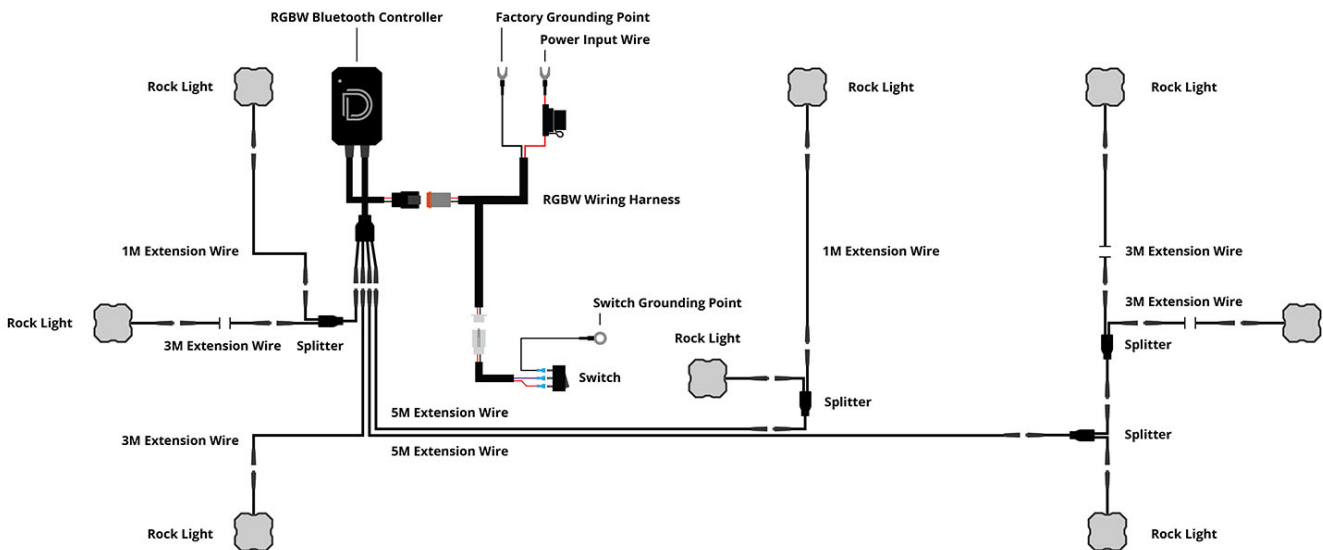
Rock Light RGBW Wiring Diagram - 4 Pack + 1M Extension



Rock Light RGBW Wiring Diagram - 4 Pack + 2 Pack Add-On



Rock Light RGBW Wiring Diagram - 8 Pack



Step 13 - Reconnect Battery

Reconnect the negative battery terminal, test thoroughly, and aim the LED appropriately based on use. Secure any excess or loose wiring. Please check your local laws and regulations regarding aiming, installation, and restrictions for on-road use, as applicable.

Questions About the Installation?

If you have any questions or issues installing the Stage Series Rock Light Kit, please [contact us](#) for further assistance.

Where Can I Buy Stage Series Rock Lights?

If you're ready to upgrade your vehicle with Stage Series Rock Lights, click [here](#) or use our [dealer locator](#) to find a

Want to know more about Diode Dynamics products? Visit DiodeDynamics.com and subscribe to our [newsletter](#) for new product releases and more!

This Installation Guide is for the following SKUs: DD7429, DD7430, DD7431, DD7432, DD7433, DD7435, DD7436, DD7437, DD7438, DD7439, DD7440, DD7442, DD7443, DD7444, DD7445, DD7446, DD7447, DD7449, DD7450, DD7451, DD7452, DD7453, DD7454, DD7456, DD7457, DD7458, DD7459, DD7460, DD7461, DD7462, DD7463, DD7464, DD7465, DD7466, DD7467, DD7468, DD7469, DD7470, DD7471, DD7472, DD7473, DD7474, DD7475

Posted in: [Installation Guides](#)

Share This Post



Previous article:

[5th Gen Toyota 4Runner SS5 Behind-The-Grille Light Pod Kit](#)

Next article:

[How to Install: 5th Gen 4Runner SS5 Stealth Grille LED Pod Kit](#)

Related Products



[Stage Series Single-Color LED Rock Light \(4-pack\)](#)

\$200.00



[Stage Series RGBW LED Rock Light \(4-pack\)](#)

\$240.00

Subscribe to our newsletter!

Subscribe

© 2023 Diode Dynamics LLC. All Rights Reserved. 3870 Millstone Pkwy, St Charles, MO 63301 - [Terms of Service & Privacy](#) - [Sitemap](#)

All logos and vehicle images displayed here are the property of their respective owners.