

How to Install: Stage Series SSC2 LED Pod Lights



August 11, 2023 | [Print this Page](#)

[How to Install: Stage Series SSC2 LED Pod Lights](#)

[Stage Series 2-inch \(SSC2\) LED Pod Lights](#) feature higher output intensity than any other 2-inch LED pod light on the market! These LED pod lights were designed to deliver maximum functionality and durability with high-intensity LED chips, custom-engineered TIR (Total Internal Reflection) optics, and powder-coated aluminum

construction.

All SSC2 LED Pods are available in a cool white or selective yellow color, and feature a distinctive backlight. Pair this with their compact size and simple installation, and the applications for the SSC2 LED Pod Light are endless. Whether you're lighting up the road at night with SAE fog lights, adding more light to the side of the trail with a ditch light kit, or lighting up the campsite, the SSC2 will shine where you need it most.

The following installation guide will provide you with basic instructions on how to install the Stage Series SSC2 LED Pod Light on your vehicle. Keep reading for more information.

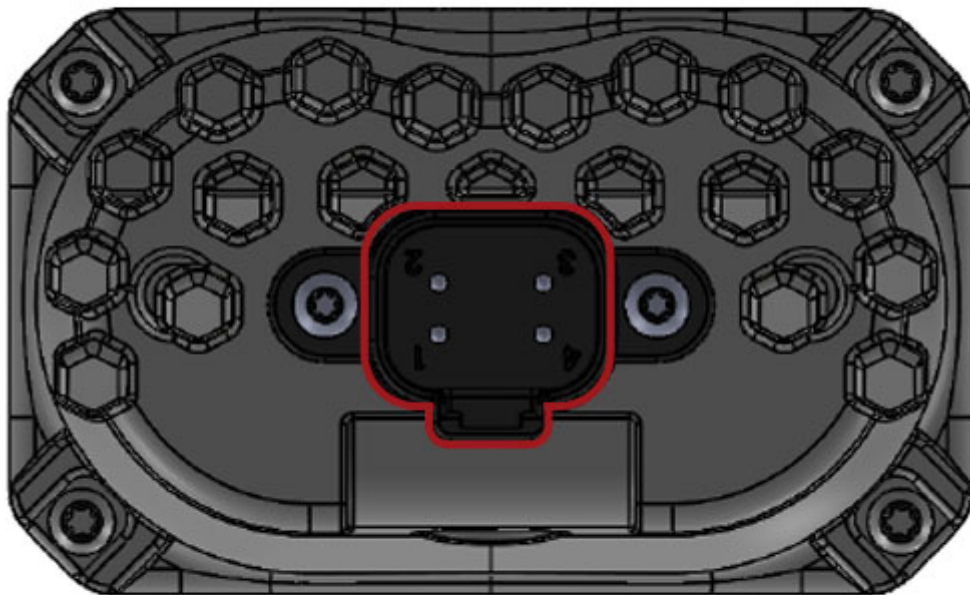
Table of Contents

- [Wiring Instructions](#)
- [Mounting Instructions](#)
- [Dimensions](#)
- [Questions About the Installation?](#)
- [Where Can I Buy a Stage Series SSC2 LED Pod Light?](#)

Wiring Instructions

Stage Series SSC2 LED Pod Lights have an integrated Deutsch-style connector located on the back of the pod, just below the pin-fin heatsink, that securely fits the included Deutsch-style wires.

TOP



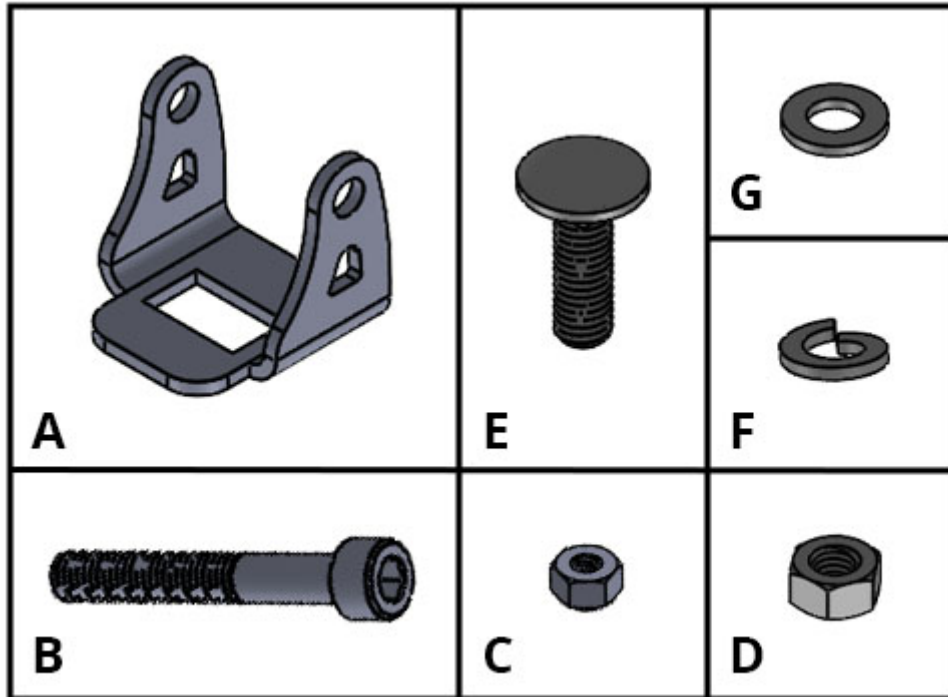
BOTTOM

Connect the red wire to the positive supply, and the black wire to the negative or common ground. Tap the blue wire for the backlight to your desired vehicle function.

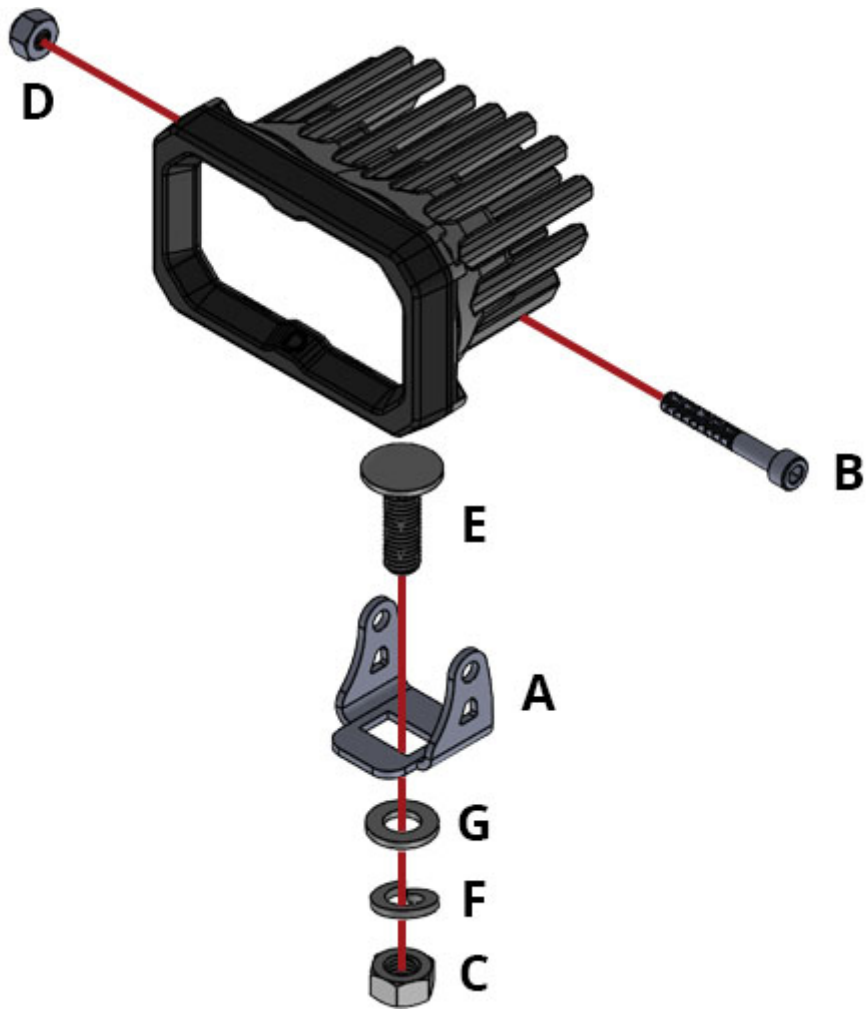
Note: This auxiliary lamp draws high current, and requires adequately-sized wiring for safe operation. If you are not using a Diode Dynamics wire harness, use wire sized 16 AWG or larger for main power and ground. Use wire sized 18 AWG or larger for the backlight (blue wire on the pigtail). Please be mindful of current ratings and wire size, especially if splitting power signals to multiple pods, or using switches. If you have any questions, please feel free to [contact us](#) for assistance.

Mounting Instructions

You may use the included hardware and fasteners to mount your pod if you wish.



We recommend drilling a 3/8" hole to allow flush fitment of the bracket. The most common mounting style is shown below, but Stage Series SSC2 LED Pod Lights are also compatible with most standard mounting brackets on the market.



Dimensions

