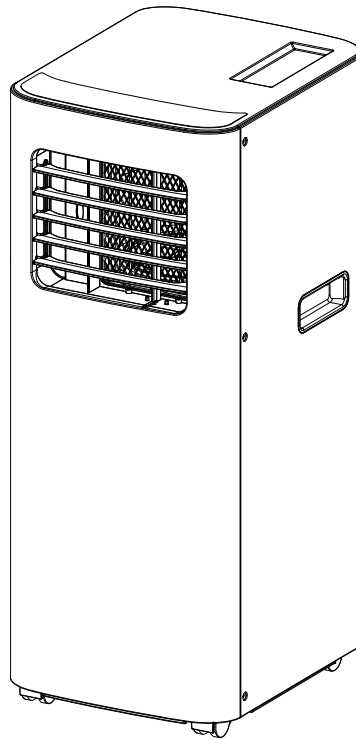


AERIC

PORTABLE AIR CONDITIONER

USER'S MANUAL



Model: AERP051AW

TABLE OF CONTENTS

IMPORTANT SAFETY INTRODUCTIONS.....	1-10	TROUBLESHOOTING	17
IDENTIFICATION OF PARTS	11	CARE AND MAINTENANCE	18
OPERATION	12-14	WARRANTY	19
INSTALLATION INSTRUCTIONS	15-16		





Please read the manual carefully before using the appliance.

IMPORTANT SAFETY INTRODUCTIONS


















READ THIS MANUAL

Inside you will find many helpful tips on how to use and maintain your air conditioner properly. Just a little preventive care on your part can save you a great deal of time and money over the life of your air conditioner. You'll find many answers to common problems in the chart of troubleshooting tips. If you review our chart of Troubleshooting. Tips first, you may not need to call for service at all.

To prevent injury to the user or other people and property damage, the following instructions must be followed. Incorrect operation due to ignoring of instructions may cause harm or damage. The seriousness is classified by the following indications.

 WARNING	This symbol indicates the possibility of death or serious injury.		
 CAUTION	This symbol indicates the possibility of injury or damage to property.		
	Never do this.		Always do this.

WARNING

<p> Plug in power plug properly.</p> <ul style="list-style-type: none"> Otherwise, it may cause electric shock or fire due to excess heat generation. 	<p> Do not operate or stop the unit by inserting or pulling out the power plug.</p> <ul style="list-style-type: none"> It may cause electric shock or fire due to heat generation. 	<p> Do not damage or use an unspecified power cord.</p> <ul style="list-style-type: none"> It may cause electric shock or fire. If the power cord is damaged, it must be replaced by the manufacturer or an authorised service centre or a similarly qualified person in order to avoid a hazard.
<p> Always install circuit breaker and a dedicated power circuit.</p> <ul style="list-style-type: none"> Incorrect installation may cause fire and electric shock. 	<p> Do not operate with wet hands or in damp environment.</p> <ul style="list-style-type: none"> It may cause electric shock. 	<p> Do not direct airflow at room occupants only.</p> <ul style="list-style-type: none"> This could damage your health.
<p> Always ensure effective grounding</p> <ul style="list-style-type: none"> Incorrect grounding may cause electric shock. 	<p> Do not allow water to run into electric parts.</p> <ul style="list-style-type: none"> It may cause failure of machine or electric shock. 	<p> Do not modify power cord length or share the outlet with other appliances.</p> <ul style="list-style-type: none"> It may cause electric shock or fire due to heat generation.
<p> Unplug the unit if strange sounds, smell, or smoke comes from it.</p> <ul style="list-style-type: none"> It may cause fire and electric shock. 	<p> Do not use the socket if it is loose damaged.</p> <ul style="list-style-type: none"> It may cause fire and electric shock. 	<p> Do not open the unit during operation.</p> <ul style="list-style-type: none"> It may cause electric shock.
<p> Keep firearms away.</p> <ul style="list-style-type: none"> It may cause fire. 	<p> Do not use the unit close to heating appliances.</p> <ul style="list-style-type: none"> It may cause fire and electric shock. 	<p> Do not use the unit near flammable substances, pressurised container (eg aerosol cans), or combustibles, such as gasoline, benzene, thinner, etc.</p> <ul style="list-style-type: none"> It may cause an explosion or fire.
<p> Ventilate room before operating air conditioner if there is a gas leakage from another appliance.</p> <ul style="list-style-type: none"> It may cause explosion, fire and, burns. 	<p> Do not disassemble or modify unit.</p> <ul style="list-style-type: none"> It may cause failure and electric shock. 	

IMPORTANT SAFETY INTRODUCTIONS

CAUTION

<p>⊘ When the air filter is to be removed, do not touch the metal parts of the unit.</p> <ul style="list-style-type: none"> • It may cause an injury. 	<p>⊘ Do not put a pet or house plant where it will be exposed to direct air flow.</p> <ul style="list-style-type: none"> • This could injure the pet or plant. 	<p>⊘ Do not use in the room containing sulphur, gas or oil.</p> <ul style="list-style-type: none"> • It may cause an explosion or fire.
<p>⊘ Do not use strong detergent such as wax or thinner but use a soft cloth.</p> <ul style="list-style-type: none"> • Appearance may be deteriorated due to change of product color or scratching of its surface. 	<p>⊘ Do not clean the air conditioner with water.</p> <ul style="list-style-type: none"> • Water may enter the unit and degrade the insulation. It may cause an electric shock. 	<p>⊘ Do not use for special purposes.</p> <ul style="list-style-type: none"> • Do not use this air conditioner to preserve precision devices, food, pets, plants, and art objects. It may cause deterioration of quality, etc.
<p>⊘ Stop operation and close the window in storm or hurricane.</p> <ul style="list-style-type: none"> • Operation with windows opened may cause wetting of indoor and soaking of household furniture. 	<p>⊘ When the unit is to be cleaned, switch off, and turn off the circuit breaker.</p> <ul style="list-style-type: none"> • Do not clean unit when power is on as it may cause fire and electric shock, it may cause an injury. 	
<p>⊘ Always insert the filters securely. Clean filter once every two weeks.</p> <ul style="list-style-type: none"> • Operation without filters may cause failure. 	<p>⊘ Hold the plug by the head of the power plug when taking it out.</p> <ul style="list-style-type: none"> • It may cause electric shock and damage. 	<p>⊘ Turn off the main power switch when not using the unit for a long time.</p> <ul style="list-style-type: none"> • It may cause failure of product or fire.
<p>⊘ Do not place obstacles around air-inlets or inside of air-outlet.</p> <ul style="list-style-type: none"> • It may cause failure of appliance or accident. 	<p>⊘ Do not place heavy object on the power cord and ensure that the cord is not compressed.</p> <ul style="list-style-type: none"> • There is danger of fire or electric shock. 	<p>⊘ Do not drink water drained from air conditioner.</p> <ul style="list-style-type: none"> • It contains contaminants and could make you sick.
<p>⊘ Use caution when unpacking and installing. Sharp edges could cause injury.</p>	<p>⊘ If water enters the unit, turn the unit off at the power outlet and switch off the circuit breaker. Isolate supply by taking the power-plug out and contact a qualified service technician.</p>	

CAUTION

- This appliance is not intended for use by persons (including children) with reduced physical, sensory or mental capabilities, or lack of experience and knowledge, unless they have been given supervision or instruction concerning use of the appliance by person responsible for their safety.
- Children should be supervised to ensure that they do not play with the appliance.
- If the SUPPLY CORD is damaged, it must be replaced by the manufacturer, its service agent or similarly qualified persons in order to avoid a hazard.
- The appliance shall be installed in accordance with national wiring regulations.
- Do not operate your air conditioner in a wet room such as a bathroom or laundry room.
- The appliance with electric heater shall have at least 2 feet space to the combustible materials.
- Contact the authorised service technician for repair or maintenance of this unit.

IMPORTANT SAFETY INTRODUCTIONS

NOTE

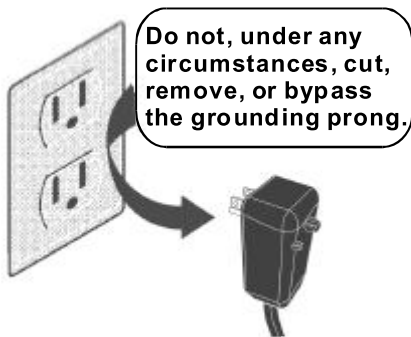
The power supply cord with this air conditioner contains a current detection device designed to reduce the risk of fire.

Please refer to the section Operation of Current Device for details. In the event that the power supply cord is damaged, it cannot be repaired-it must be replaced with a cord from the Product Manufacturer.

WARNING

Avoid fire hazard or electric shock. Do not use an extension cord or an adaptor plug. Do not remove any prong from the power cord.

Grounding type wall receptacle



Power supply cord with 3-prong grounding plug and current detection device

WARNING

For Your Safety

Do not store or use gasoline or other flammable vapors and liquids in the vicinity of this or any other appliance.

WARNING

Prevent Accidents

To reduce the risk of fire, electrical shock, or injury to persons when using your air conditioner, follow basic precautions, including the following:

- Be sure the electrical service is adequate for the model you have chosen. This information can be found on the serial plate, which is located on the back of the the cabinet.
- Be sure the air conditioner has been securely and correctly installed according to the installation instructions in this manual. Save this manual for possible future use in removing or installing this unit.
- When handling the air conditioner, be careful to avoid cuts from sharp metal fins on front and rear coils.

WARNING

Electrical Information

The complete electrical rating of your new portable air conditioner is stated on the serial plate. Refer to the rating when checking the electrical requirements.

- Be sure the air conditioner is properly grounded. To minimize shock and fire hazards, proper grounding is important. The power cord is equipped with a three-prong grounding plug for protection against shock hazards.
- Your air conditioner must be used in a properly grounded wall receptacle. If the wall receptacle you intend to use is not adequately grounded or protected by a time delay fuse or circuit breaker, have a qualified electrician install the proper receptacle. Ensure the receptacle is accessible after the unit installation.
- Do not run air conditioner without installing the exhaust hose and window panel in place. This could result in mechanical damage within the air conditioner.
- **Do not use an extension cord or an adaptor plug.**

IMPORTANT SAFETY INTRODUCTIONS

WARNING

- All wiring must comply with local and national electrical codes and be installed by a qualified electrician. If you have any question regarding the following instructions, contact a qualified electrician.
- Check available power supply and resolve any wiring problems before installation and operation of this unit.
- Only install and operate this appliance as outlined in this instruction manual. At all times, use care when using this appliance.
- The appliance shall be installed in accordance with national wiring regulations.
- The appliance should be transported upright or on its side. Any internal circuit water should be emptied before moving. Do not turn on the appliance for at least one hour before starting it.
- Do not store anything on top of the appliance, especially heavy or hot objects.
- Do not store the appliance covered with plastic bags.
- Please follow the regulations and guidelines for proper disposal of packaging as well as electrical devices in your area. Check with your local authority or retailer for recycling options.
- Do not place the unit in front of curtains or drapes in case they fall against the back air intake.
- This appliance is for household use only.

WARNING

- Do not wet the housing or control panel.
- Do not cover the air outlet while in use.
- Do not place objects or let any person sit on top of the unit.
- Do not attempt to remove any part of the casing unless by an authorised technician.
- Remove the plug from the socket if the unit is not being used for long periods of time.
- Use only the correct power supply AC 115V~60Hz.

SPECIFICATIONS

Figures noted, in the contents are for reference only; variation may result due to application in different countries or regions, and shall be based on the best of practical operation.

Voltage/Frequency	AC 115V~60Hz
Refrigerant Type	R32
Working Temperature/ Humidity	61°F-95°F / 30%- 80%RH

NOTE

Wiring diagram affixed inside the rear panel

NOTE

Waste electrical products should not be disposed of with household waste. Please recycle where facilities exist. Check with your local authority or retailer for recycling advice.



IMPORTANT SAFETY INTRODUCTIONS





WARNING (FOR USING R32 REFRIGERANT ONLY)

- READ THE MANUAL CAREFULLY BEFORE USING THE APPLIANCE.
- Stagnation of possible leaks of refrigerant gas in unventilated rooms could lead to fire or an explosion hazard should the refrigerant come in contact with electric heaters, stoves or other sources of ignition.
- Use care when storing the appliance to prevent mechanical faults.
- Only persons authorized by an accredited agency certifying their competence to handle refrigerants in compliance with sector legislation should work on refrigerant circuits.
- Do not use means to accelerate the defrosting process or to clean, other than those recommended by the manufacturer.
- The appliance shall be stored in a room without continuously operating ignition sources (for example: open flames, an operating gas appliance) and ignition sources or (for example: an operating electric heater) close to the appliance.
- Do not pierce or burn.
- Be aware that refrigerants may not contain an odour.
- Compliance with national gas regulations shall be observed.
- Keep ventilation openings clear of obstruction.
- The appliance shall be stored so as to prevent mechanical damage from occurring.
- A warning that the appliance shall be stored in a well-ventilated area where the room size corresponds to the room area as specified for operation.
- Any person who is involved with working on or breaking into a refrigerant circuit should hold a current valid certificate from an industry-accredited assessment authority, which authorizes their competence to handle refrigerants safely in accordance with an industry recognized assessment specification.
- Servicing shall only be performed as recommended by the equipment manufacturer.
- Maintenance and repair requiring the assistance of other skilled personnel shall be carried out under the supervision of the person competent in the use of flammable refrigerants.
- DO NOT modify the length of the power cord or use an extension cord to power the unit.
- DO NOT share a single outlet with other electrical appliances. Improper power supply can cause fire or electrical shock.
- Please follow the instruction carefully to handle, install, clear or service the air conditioner to avoid any damage or hazard. Flammable Refrigerant R32 is used within air conditioner. When maintaining or disposing the air conditioner, the refrigerant (R32) shall be properly recovered and not discharged into the air.
- No open fire or device which may generate spark/arc shall be around air conditioner to avoid causing ignition of the flammable refrigerant used. Please follow the instruction carefully to store or maintain the air conditioner to prevent mechanical damage from occurring.
- Flammable refrigerant R32 is used in air conditioner. Please follow the instruction carefully to avoid any hazard.



IMPORTANT SAFETY INTRODUCTIONS

Explanation of symbols displayed on the unit (For the unit adopts R32 Refrigerant only)

	WARNING	This symbol shows that this appliance used a flammable refrigerant. If the refrigerant is leaked and exposed to an external ignition source, there is a risk of fire.
	CAUTION	This symbol shows that the operation manual should be read carefully.
	CAUTION	This symbol shows that a service personnel should be handling this equipment with reference to the installation manual.
	CAUTION	This symbol shows that information is available such as the operating manual or installation manual.

WARNING (FOR USING R32 REFRIGERANT ONLY)

1. Transport of equipment containing flammable refrigerants

See transport regulations.

2. Marking of equipment using signs

See local regulations.

3. Disposal of equipment using flammable refrigerants

See national regulations.

4. Storage of equipment/appliances

The storage of equipment should be in accordance with the manufacturer's instructions.

5. Storage of packed (unsold) equipment

Storage package protection should be constructed such that mechanical damage to the equipment inside the package will not cause a leak of the refrigerant charge. The maximum number of pieces of equipment permitted to be stored together will be determined by local regulations.

6. Information on servicing

a) Checks to the area: Prior to beginning work on systems containing flammable refrigerants, safety checks are necessary to ensure that the risk of ignition is

minimized. For repair to the refrigerating system, the following precautions shall be complied with prior to conducting work on the system.

- b) Work procedure: Work shall be undertaken under a controlled procedure so as to minimize the risk of a flammable gas or vapour being present while the work is being performed.
- c) General work area: All maintenance staff and others working in the local area shall be instructed on the nature of work being carried out. Work in confined spaces shall be avoided. The area around the workspace shall be sectioned off. Ensure that the conditions within the area have been made safe by control of flammable material.
- d) Checking for presence of refrigerant: The area shall be checked with an appropriate refrigerant detector prior to and during work, to ensure the technician is aware of potentially flammable atmospheres. Ensure that the leak detection equipment being used is suitable for use with flammable refrigerants, i.e. non-sparking, adequately sealed or intrinsically safe.

IMPORTANT SAFETY INTRODUCTIONS

- e) Presence of fire extinguisher: If any hot work is to be conducted on the refrigeration equipment or any associated parts, appropriate fire extinguishing equipment shall be available to hand. Have a dry powder or CO2 fire extinguisher adjacent to the charging area.
- f) No ignition sources: No person carrying out work in relation to a refrigeration system which involves exposing any pipe work that contains or has contained flammable refrigerant shall use any sources of ignition in such a manner that it may lead to the risk of fire or explosion. All possible ignition sources, including cigarette smoking, should be kept sufficiently far away from the site of installation, repairing, removing and disposal, during which flammable refrigerant can possibly be released to the surrounding space. Prior to work taking place, the area around the equipment is to be surveyed to make sure that there are no flammable hazards or ignition risks. No Smoking signs shall be displayed.
- g) Ventilated area: Ensure that the area is in the open or that it is adequately ventilated before breaking into the system or conducting any hot work. A degree of ventilation shall continue during the period that the work is carried out. The ventilation should safely disperse any released refrigerant and preferably expel it externally into the atmosphere.
- h) Checks to the refrigeration equipment: Where electrical components are being changed, they shall be fit for the purpose and to the correct specification. At all times the manufacturer's maintenance and service guidelines shall be followed. If in doubt consult the manufacturer's technical department for assistance. The following checks shall be applied to installations using flammable refrigerants:
- The charge size is in accordance with the room size within which the refrigerant containing parts are installed;
 - The ventilation machinery and outlets are operating adequately and are not obstructed;
 - If an indirect refrigerating circuit is being used, the secondary circuit shall be checked for the presence of refrigerant;
 - Marking to the equipment continues to be visible and legible. Markings and signs that are illegible shall be corrected;
 - Refrigeration pipe or components are installed in a position where they are unlikely to be exposed to any substance which may corrode refrigerant containing components, unless the components are constructed of materials which are inherently resistant to being corroded or are suitably protected against being so corroded.
- i) Checks to electrical devices: Repair and maintenance to electrical components shall include initial safety checks and component inspection procedures. If a fault exists that could compromise safety, then no electrical supply shall be connected to the circuit until it is satisfactorily dealt with. If the fault cannot be corrected immediately but it is necessary to continue operation, an adequate temporary solution shall be used. This shall be reported to the owner of the equipment so all parties are advised. Initial safety checks shall include:
- That capacitors are discharged: this shall be done in a safe manner to avoid possibility of sparking;
 - That there no live electrical components and wiring are exposed while charging, recovering or purging the system;
 - That there is continuity of grounding.

7. Repairs to sealed components

IMPORTANT SAFETY INTRODUCTIONS

- a) During repairs to sealed components, all electrical supplies shall be disconnected from the equipment being worked upon prior to any removal of sealed covers, etc. If it is absolutely necessary to have an electrical supply to equipment during servicing, then a permanently operating form of leak detection shall be located at the most critical point to warn of a potentially hazardous situation.
- b) Particular attention shall be paid to the following to ensure that by working on electrical components, the casing is not altered in such a way that the level of protection is affected. This shall include damage to cables, excessive number of connections, terminals not made to original specification, damage to seals, incorrect fitting of glands, etc.
 - Ensure that apparatus is mounted securely.
 - Ensure that seals or sealing materials have not degraded such that they no longer serve the purpose of preventing the ingress of flammable atmospheres. Replacement parts shall be in accordance with the manufacturer's specifications.

▲ NOTE: The use of silicon sealant may inhibit the effectiveness of some types of leak detection equipment. Inherently safe components do not have to be isolated prior to working on them.

8. Repair to inherently safe components

Do not apply any permanent inductive or capacitance loads to the circuit without ensuring that this will not exceed the permissible voltage and current permitted for the equipment in use.

Inherently safe components are the only types that can be worked on while live in the presence of a flammable atmosphere. The test apparatus shall be at the correct rating. Replace components only with parts specified

by the manufacturer. Other parts may result in the ignition of refrigerant in the atmosphere from a leak.

9. Cabling

Check that cabling will not be subject to wear, corrosion, excessive pressure, vibration, sharp edges or any other adverse environmental effects. The check shall also take into account the effects of aging or continual vibration from sources such as compressors or fans.

10. Detection of flammable refrigerants

Under no circumstances shall potential sources of ignition be used in the searching for or detection of refrigerant leaks. A halide torch (or any other detector using a naked flame) shall not be used.

11. Leak detection methods

The following leak detection methods are deemed acceptable for systems containing flammable refrigerants. Electronic leak detectors shall be used to detect flammable refrigerants, but the sensitivity may not be adequate, or may need re-calibration. (Detection equipment shall be calibrated in a refrigerant-free area.) Ensure that the detector is not a potential source of ignition and is suitable for the refrigerant used. Leak detection equipment shall be set at a percentage of the LFL of the refrigerant and shall be calibrated to the refrigerant employed and the appropriate percentage of gas (25 % maximum) is confirmed. Leak detection fluids are suitable for use with most refrigerants but the use of detergents containing chlorine shall be avoided as the chlorine may react with the refrigerant and corrode the copper pipework. If a leak is suspected, all naked flames shall be removed/ extinguished. If a leakage of refrigerant is found which requires brazing, all of the refrigerant shall be recovered from the system, or isolated (by means of shut off valves) in a part of the system remote from the leak. Oxygen free nitrogen (OFN) shall then be purged through the system both before and during the brazing process.

IMPORTANT SAFETY INTRODUCTIONS

12. Removal and evacuation

When breaking into the refrigerant circuit to make repairs or for any other purpose conventional procedures shall be used. However, it is important that best practice is followed since flammability is a consideration. Opening of the refrigeration systems shall not be done by brazing. The following procedure shall be adhered to:

- Remove refrigerant;
- Purge the circuit with inert gas;
- Evacuate;
- Purge again with inert gas;
- Open the circuit by cutting or brazing.

The refrigerant charge shall be recovered into the correct recovery cylinders. The system shall be flushed with OFN to render the unit safe. This process may need to be repeated several times. Compressed air or oxygen shall not be used for this task.

Flushing shall be achieved by breaking the vacuum in the system with OFN and continuing to fill until the working pressure is achieved, then venting to atmosphere, and finally pulling down to a vacuum. This process shall be repeated until no refrigerant is within the system. When the final OFN charge is used, the system shall be vented down to atmospheric pressure to enable work to take place. This operation is absolutely vital if brazing operations on the pipe-work are to take place.

Ensure that the outlet for the vacuum pump is not close to any ignition sources and there is ventilation available.

13. Charging procedures

In addition to conventional charging procedures, the following requirements shall be followed.

- Ensure that contamination of different refrigerants does not occur when using charging equipment. Hoses or lines shall be as short as possible to minimize the

amount of refrigerant contained in them.

- Cylinders shall be kept upright.
- Ensure that the refrigeration system is earthed prior to charging the system with refrigerant.
- Label the system when charging is complete (if not already).
- Extreme care shall be taken not to overfill the refrigeration system.
- Prior to recharging the system it shall be pressure tested with OFN. The system shall be leak tested on completion of charging but prior to commissioning. A follow up leak test shall be carried out prior to leaving the site.

14. Decommissioning

Before carrying out this procedure, it is essential that the technician is completely familiar with the equipment and all its detail. It is recommended good practice that all refrigerants are recovered safely. Prior to the task being carried out, an oil and refrigerant sample shall be taken in case analysis is required prior to re-use of reclaimed refrigerant. It is essential that electrical power is available before the task 's commenced.

- a) Become familiar with the equipment and its operation.
- b) Isolate system electrically.
- c) Before attempting the procedure ensure that: Mechanical handling equipment is available, if required, for handling refrigerant cylinders; All personal protective equipment is available and being used correctly; The recovery process is supervised at all times by a competent person; Recovery equipment and cylinders conform to the appropriate standards.
- d) Pump down refrigerant system, if possible.
- e) If a vacuum is not possible, make a manifold so that refrigerant can be removed from various parts of the system.
- f) Make sure that cylinder is situated on the

IMPORTANT SAFETY INTRODUCTIONS

scales before recovery takes place.

- g) Start the recovery machine and operate in accordance with manufacturer's instructions.
- h) Do not overfill cylinders. (No more than 80 % volume liquid charge).
- i) Do not exceed the maximum working pressure of the cylinder, even temporarily.
- j) When the cylinders have been filled correctly and the process completed, make sure that the cylinders and the equipment are removed from site promptly and all isolation valves on the equipment are closed off.
- k) Recovered refrigerant shall not be charged into another refrigeration system unless it has been cleaned and checked.

15. Labelling

Equipment shall be labelled stating that it has been de-commissioned and emptied of refrigerant. The label shall be dated and signed. Ensure that there are labels on the equipment stating the equipment contains flammable refrigerant.

16. Recovery

When removing refrigerant from a system, either for servicing or decommissioning, it is recommended good practice that all refrigerants are removed safely.

When transferring refrigerant into cylinders, ensure that only appropriate refrigerant recovery cylinders are employed. Ensure that the correct number of cylinders for holding the total system charge is available. All cylinders to be used are designated for the recovered refrigerant and labelled for that refrigerant

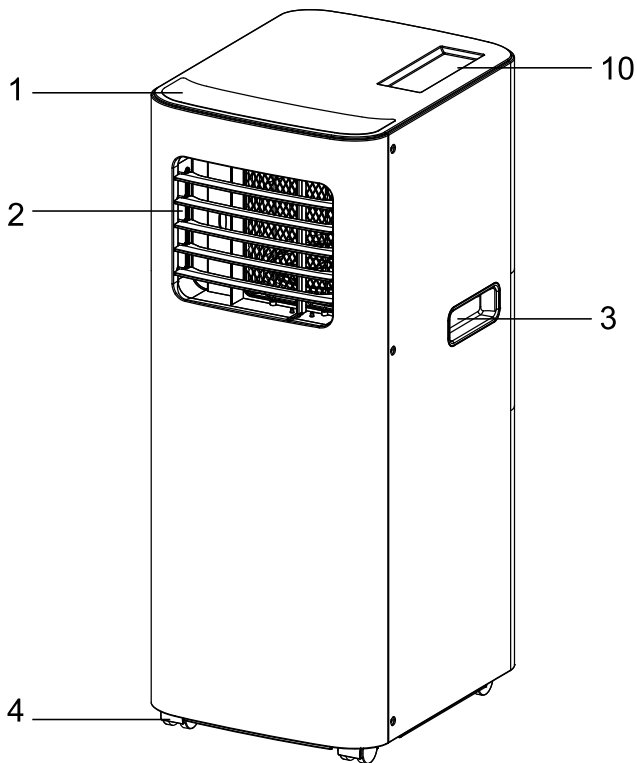
(i.e. special cylinders for the recovery of refrigerant). Cylinders shall be complete with pressure relief valve and associated shut-off valves in good working order.

Empty recovery cylinders are evacuated and, if possible, cooled before recovery occurs. The recovery equipment shall be in good working order with a set of instructions concerning the equipment that is at hand and shall be suitable for the recovery of flammable refrigerants.

In addition, a set of calibrated weighing scales shall be available and in good working order. Hoses shall be complete with leak-free disconnect couplings and in good condition. Before using the recovery machine, check that it is in satisfactory working order, has been properly maintained and that any associated electrical components are sealed to prevent ignition in the event of a refrigerant release. Consult manufacturer if in doubt.

The recovered refrigerant shall be returned to the refrigerant supplier in the correct recovery cylinder, and the relevant Waste Transfer Note arranged. Do not mix refrigerants in recovery units and especially not in cylinders. If compressors or compressor oils are to be removed, ensure that they have been evacuated to an acceptable level to make certain that flammable refrigerant does not remain within the lubricant. The evacuation process shall be carried out prior to returning the compressor to the suppliers. Only electric heating to the compressor body shall be employed to accelerate this process. When oil is drained from a system, it shall be carried out safely.

IDENTIFICATION OF PARTS



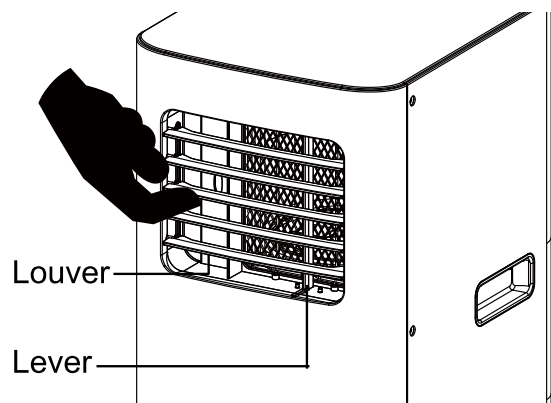
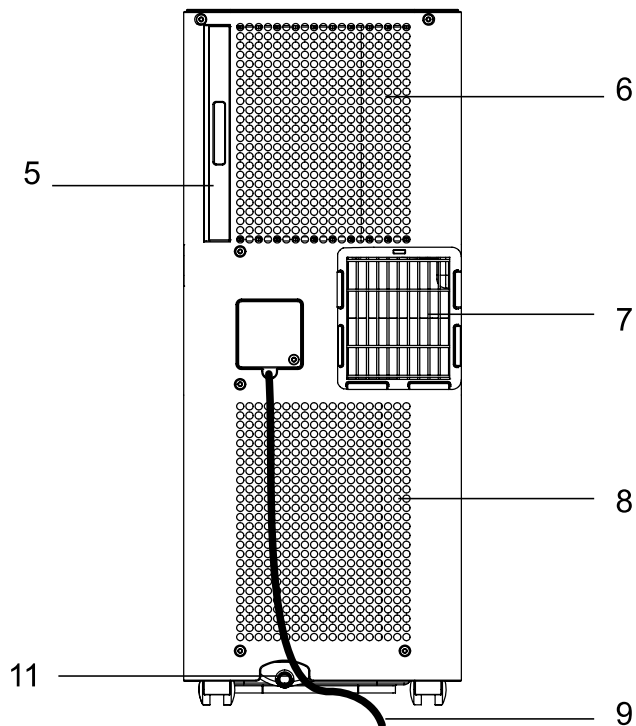
1. Control panel
2. Air outlet
3. Handle hole
4. Caster
5. Air filter
6. Air intake (Evaporator)
7. Air outlet (Heat exchange)
8. Air intake (Condenser)
9. Power supply cord
10. Remote control storage facility
11. Water outlet drain

NOTE

Note : Please ensure the water outlet drain is well installed before use.

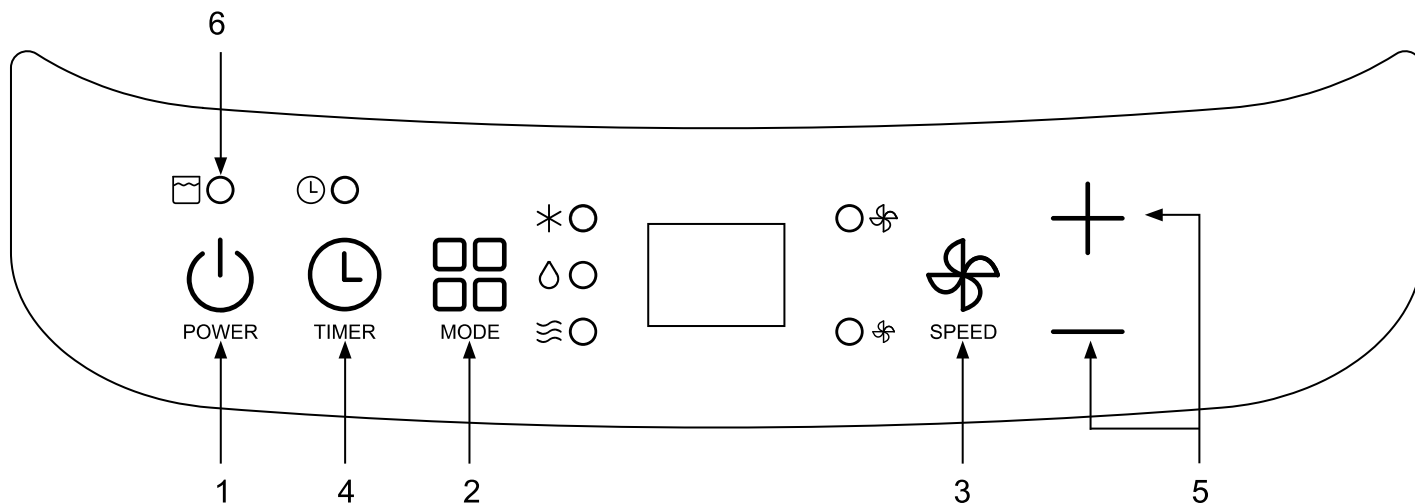
NOTE

- Please open the air outlet to desired position by flipping the louver and lever.
- The louver needs to be opened if appliance is ON.



OPERATION

CONTROL PANEL



1. Power control
2. Mode control
3. Fan speed control
4. Timer
5. Timer / Temp set control
6. Tank full light

POWER CONTROL

The power control turns the unit on and off.

MODE CONTROL

The Mode Control has 3 settings:

•Cool •Dehumidify •Fan

The settings are adjusted with Mode Control button. A light will indicate which setting is currently being used.

• COOLING MODE

During the cooling mode the air is cooled and hot air is exhausted to the outside air through the exhaust tube. Adjust fan speed air through the temperature to suit your desired comfort level. Temperature setting range is 61°F ~ 89°F.

Note : The air exchange hoses must vent outside the room when using cool mode.

• DEHUMIDIFY MODE

Air is dehumidified as it passes through the unit, without being in full cooling mode. If room temperature is higher than 77 °F, fan speed can be adjusted; otherwise fan speed is fixed to "low".

Note: If the unit is to be used as a dehumidifier, do not connect the exhaust hose, let the warm air return to the room. Continuous drainage is then necessary.

• FAN MODE

Air is circulated throughout the room with no cooling.

Note: unit does not need to be vented in Fan mode

FAN SPEED CONTROL

The Fan Speed Control has 2 settings: High and Low.

OPERATION

TIMER

Auto turn off :

With machine in running mode, press timer button for or setting timer control. Press " + " or " - " to select number of hours you would like the unit to function before it automatically shuts off.

Auto turn on :

With machine in stand by mode, press timer button for setting timer control. Press " + " or " - " to select number of hours before the unit automatically starts running in air conditioning mode.

Note: The time is adjustable between 1-24 hours.

TEMPERATURE CONTROLS

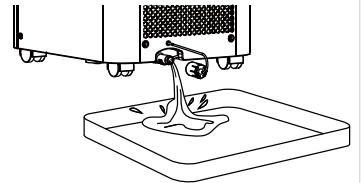
- Used for adjusting the thermostat.
- The default display is room temperature.
- In cooling mode, when " + " or " - " button is pressed, the set temperature is displayed and may be adjusted. After a few seconds the display will revert back to room temperature. Temperature is only adjustable in cool mode.

Note : By pressing both " + " / " - " buttons at the same time, the display will switch between Celsius and Fahrenheit.

TANK FULL LIGHT

If the internal tank becomes full, the Tank Full Light will turn red and the unit will not operate until the unit has been drained. To drain excess water:

1. Begin by placing a pan under the water outlet drain.
2. Unscrew the drain cover and let the water drain into the pan. When the water stops draining out, replace the drain cover.
3. Remove the pan of water and empty into a sink.
4. Operate the unit in Fan Mode to dry the interior of the unit.



NOTE

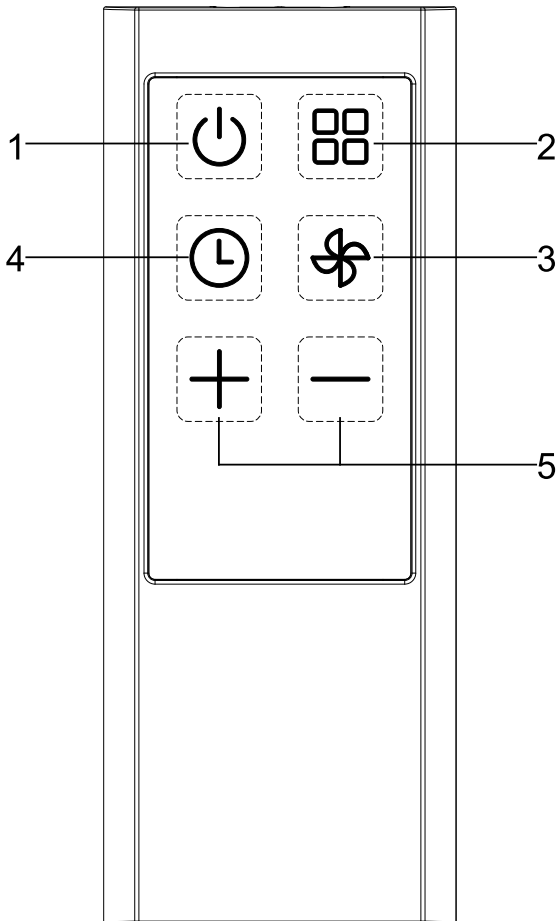
After switching the air conditioner off, you must wait 3 minutes before switching it back.

OPERATION

REMOTE CONTROL

The functions work the same as your air conditioner's touch controls.

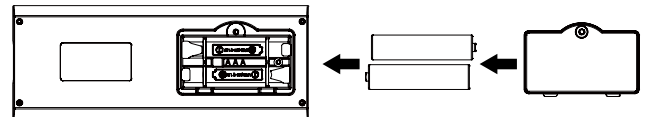
All key function can be accessed from the remote control.



1. Power Control: On / Off
2. Mode Control:
 - Cool • Dehumidify • Fan
3. Fan Speed Control: High and Low.
4. Timer Control:
 - In running mode: Auto switch off
 - In standby mode: Auto switch on
5. Timer/Temperature Set Control
 - Used for adjusting the timer and thermostat.
 - The default display is room temperature.
 - When "+" or "-" button is pressed, the set temperature is displayed and may be adjusted. After a few seconds the display will revert back to room temperature.

BATTERIES

Remove the cover on the back of the remote control and insert the batteries with the (+) and (-) poles pointing in the proper direction.

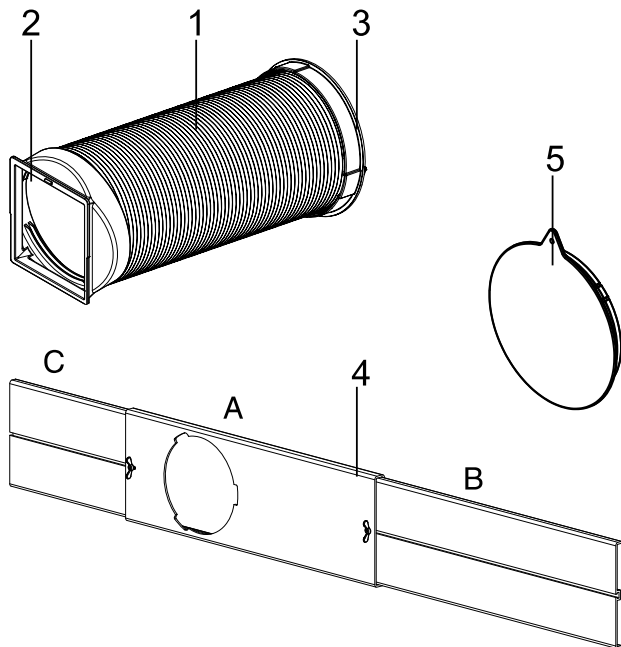


CAUTION

Use only AAA or IEC R03 1.5V batteries.
Remove the batteries if the remote control is not used for a month or longer.
Do not attempt to recharge the supplied batteries.
All batteries should be replaced at the same time.
Do not dispose of the batteries in a fire as they may explode.

INSTALLATION INSTRUCTIONS

ACCESSORIES INCLUDE

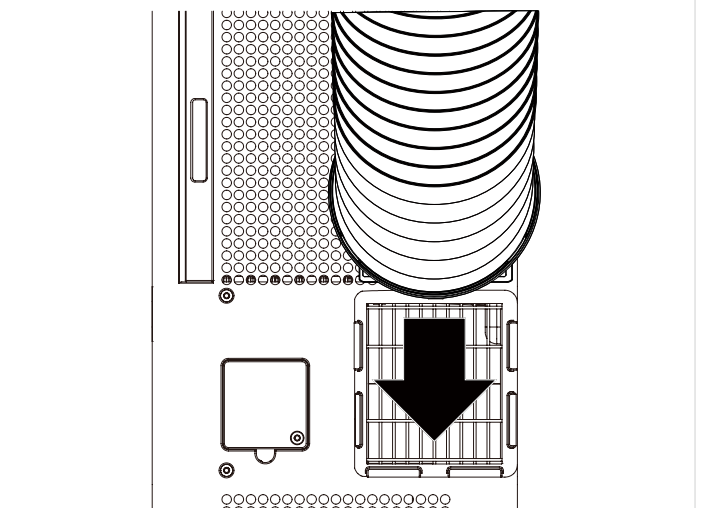


1	Exhaust hose	1
2	Connector to connect on back of unit	1
3	Connector to connect main panel	1
4	Window panel and extension panels from 20" up to 47"	3
5	Window panel cover	1

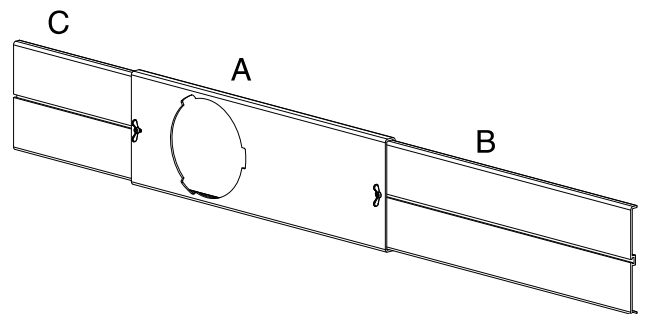
INSTALLATION

At least 19.7 inches (50 cm) air space between front/left/right/top sides of portable air conditioner and adjacent obstacle and at least 31.5 inches (80 cm) air space between rear side of portable air conditioner and adjacent obstacle should be maintained during normal operation.

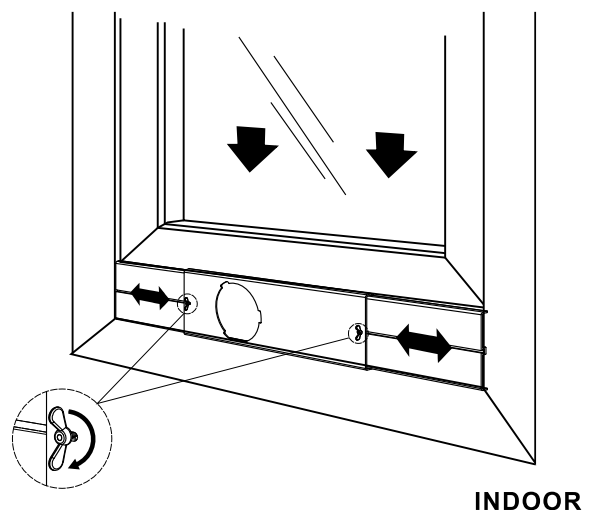
1. Slide the hose assembly with (#2) exhausted connector into the rear panel.



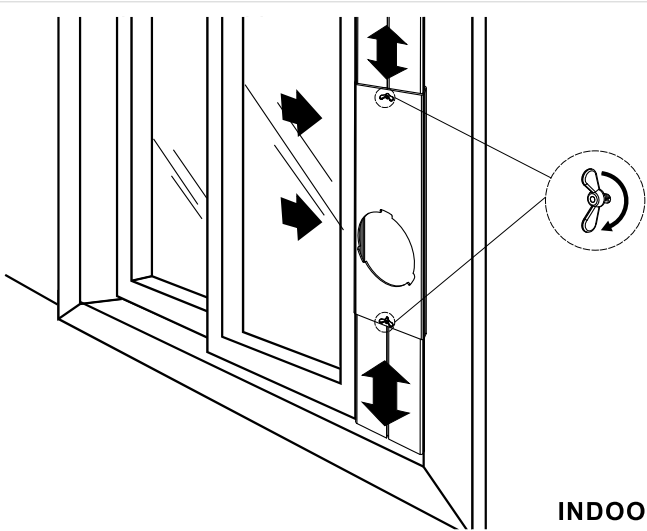
2. Insert the window panels B and C to each end of main panel A. Adjusting to fix the length of window panels by using the screws and nuts mounted on the 2 ends of main panel A.



3. Open the window and place window panels into window. Adjust the extension panels to fit width or height of window. Use the screw and nuts to tighten or loosen the extension panels.

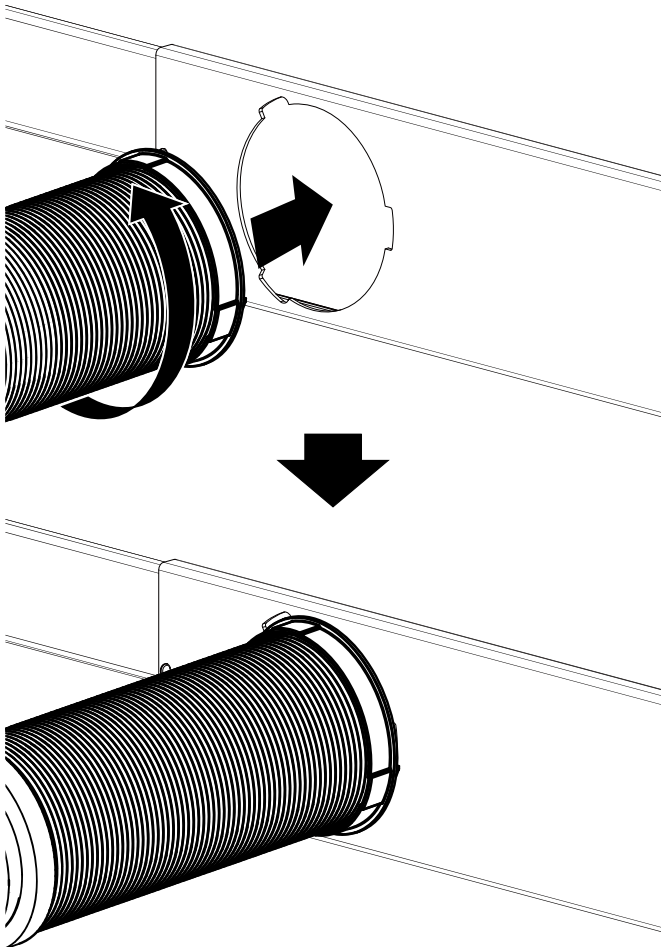


INSTALLATION INSTRUCTIONS



INDOOR

4. Insert the other end of exhaust hose assembly onto window panel and turn counterclockwise to secure.

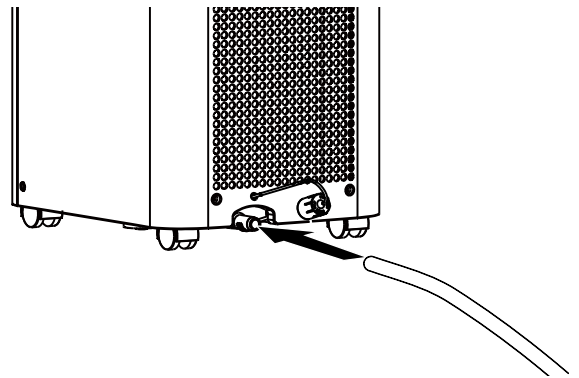


5. Plug the power cord into the wall outlet and press the "Reset" button.
6. When removing the portable air conditioner for storage, the window panel may be left in place. Simply place the cover (#5) to cover the hole on the window panel.

CONTINUOUS DRAINAGE

When a suitable drainage system is available nearby, the continuous drainage function can be initiated by following these steps.

1. Prepare a hose (inside dia. 0.51 inches (13mm), not included) to drain out water.
2. Take out drain cover from the drainage outlet.
3. Connect the hose with the drainage outlet.



IMPORTANT:

- The drain hose must be installed during dehumidifier mode.
- In cooling mode, when the surrounding humidity is high, water may not fully evaporate. It will therefore be necessary to drain excess water from the internal tank of the unit, and continuous drainage is recommended.

TROUBLESHOOTING

The following cases may not always be a malfunction, please check it before asking for service.

Trouble	Analysis
Does not run	<ul style="list-style-type: none"> • If the protector trip or fuse is blown. • Please wait for 3 minutes and start again, protector device may be preventing unit from working. • If batteries in the remote control are used up. • If the plug is not properly plugged.
Stops running during operation	<ul style="list-style-type: none"> • If the set temperature is close to room temperature, you can lower the set temperature. • Air outlet is blocked by obstacle. Take the obstacle away.
Runs but does not cool	<ul style="list-style-type: none"> • If the door or window is open. • There may be a substantial source of heat nearby like heater, open window, sunny side window etc. • The air filter is dirty, please clean it. • Air outlet or intake is blocked. • Set temperature is too high.
Does not run and water full indicator is lit	<ul style="list-style-type: none"> • Drain the water into a prepared container by the drainage pipe on the rear panel of the unit. If it still doesn't work, please consult a qualified technician.
LED display "E1"	<ul style="list-style-type: none"> • The temperature sensor error, please consult a qualified technician.
LED display "E2"	<ul style="list-style-type: none"> • The coil sensor error, please consult a qualified technician.

CARE AND MAINTENANCE

APPLIANCE MAINTENANCE

1. Cut off the power supply

Turn off the appliance first before disconnecting from power supply



2. Wipe with a soft dry cloth. If the unit is dirty use a mild detergent and damp cloth.



3. Never use volatile or flammable substances such as gasoline or polishing powder to clean the appliance.



4. Never sprinkle water onto the main unit.



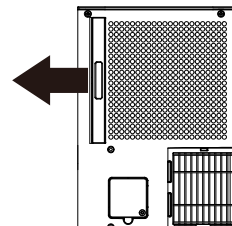
AIR FILTER MAINTENANCE

It is necessary to clean the air filter after using it for about 100 hours.

Clean it as follows:

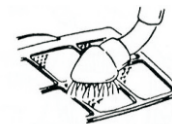
1. Stop the appliance and remove the air filter.

Stop the appliance first, then remove the air filter.



2. Clean and reinstall the air filter

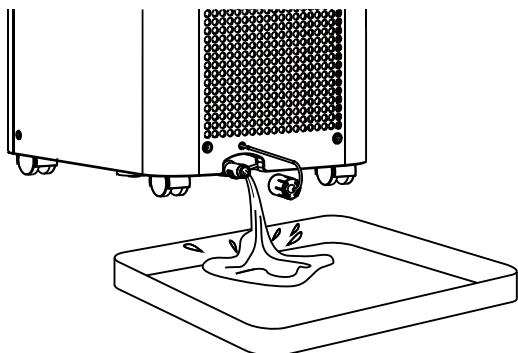
If the dirt is conspicuous, wash it with a solution of detergent in lukewarm water. After cleaning, dry it in a shaded and cool place, then reinstall it...



3. Clean the air filter every two weeks. If the air conditioner operates in a dusty environment.

MAINTENANCE AFTER USING

1. If the appliance will not be used for a long time, be sure to pull out the rubber plug of the drain port underside, in order to drain the water.



2. Before storing away run the unit in fan mode only for few hours to dry any moisture on the coils to prevent mold.
3. Stop the appliance and pull out the power supply plug, then take out the batteries of remote control and keep it in a safe place.
4. Clean the air filter and reinstall it.
5. Remove the air hoses and keep them in a safe place, and cover the hole tightly.

WARRANTY

LIMITED CARRY IN APPLIANCE WARRANTY

This product is warranted to be free from manufacturer's defects in material and workmanship, provided that the unit is used under the normal operating conditions intended by the manufacturer.

This warranty is available only to the person to whom the unit was originally sold by manufacturer or by an authorized distributor of manufacturer, and is non-transferable.

TERMS OF WARRANTY

Plastic parts, are warranted for thirty (30) days only from purchase date, with no extensions provided.

FIRST 24 Months:

During the first twenty-four (24) months, any functional parts of this product found to be defective, will be repaired or replaced, at warrantor's option, at no charge to the ORIGINAL purchaser. Please keep your purchase receipt as a warranty proof of purchase date.

To obtain service, see contact information below:

Tel: 888-984-2766

Email: contactus@aerichome.com

or RETURN TO THE STORE WHERE PURCHASED FOR REPLACEMENT.

EXCLUSIONS

Save as herein provided by manufacturer, there are no other warranties, conditions, representations or guarantees, express or implied, made or intended by manufacturer or its authorized distributors and all other warranties, conditions, representations or guarantees, including any warranties, conditions, representations or guarantees under any Sale of Goods Act or like legislation or statute is hereby expressly excluded. Save as herein provided, manufacturer shall not be responsible for any damages to persons or property, including the unit itself, howsoever caused or any consequential damages arising from the malfunction of the unit and by the purchase of the unit, the purchaser does hereby agree to indemnify and hold harmless manufacturer from any claim for damages to persons or property caused by the unit.

As some states do not allow the limitation or exclusion of incidental or consequential damages, or do not allow limitation on implied warranties, the above limitations and exclusions may not apply to you. This warranty gives you specific legal rights, and you may also have other rights that vary from state to state.

GENERAL PROVISIONS

No warranty or insurance herein contained or set out shall apply when damage or repair is caused by any of the following:

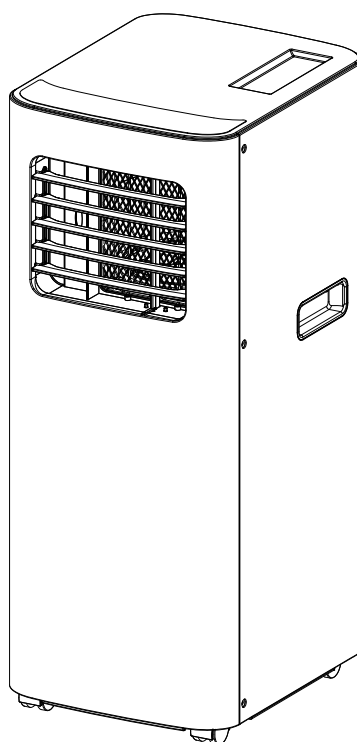
- 1) Power failure.
- 2) Damage in transit or when moving the appliance.
- 3) Improper power supply such as low voltage, defective house wiring or inadequate fuses.
- 4) Accident, alteration, abuse or misuse of the appliance such as inadequate air circulation in the room or abnormal operating conditions (extremely high or low room temperature).
- 5) Use for commercial or industrial purposes (ie. If the appliance is not installed in a domestic residence).
- 6) Fire, water damage, theft, war, riot, hostility, acts of God such as hurricanes, floods, etc.
- 7) Service calls resulting in customer education.

AERIC LLC
Ramsey New Jersey 07446
USA

AERIC

CLIMATISEUR PORTAIF

MANUEL D'UTILISATEUR



Modèle: AERP051AW

TABLE DES MATIERES

CONSIGNES DE SECURITE IMPORTANTES.....	1-10	DEPANNAGE	17
IDENTIFICATION DES PIECES	11	ENTRETIEN ET MAINTENANCE	18
FONCTIONNEMENT.....	12-14	GARANTIE	19
INSTRUCTIONS D'INSTALLATION	15-16		





Veuillez lire soigneusement ce manuel avant d'utiliser l'appareil.

CONSIGNES DE SECURITE IMPORTANTES


















LISEZ CE MANUEL

Trouverez-vous ici de nombreux conseils utiles sur la façon d'utilisation et d'entretien correct pour votre climatiseur. Avec un peu d'entretien préventif, vous pouvez économiser beaucoup de temps et d'argent pour prolonger la durée de vie de votre climatiseur. Vous trouverez des réponses à de nombreuses questions fréquemment posées dans le tableau des conseils de dépannage. Si vous consultez notre tableau de dépannage. Consultez d'abord les conseils, vous n'avez pas besoin de contacter le service du tout.

Afin d'éviter des blessures et des dommages matériels aux utilisateurs ou à d'autres personnes, les instructions suivantes doivent être observées. Un fonctionnement incorrect dû à la négligence des instructions peut causer des blessures ou des dommages. La gravité est classée conformément aux indications au-dessous.

 AVERTISSEMENT	Ce symbole indique la possibilité de décès ou de blessures graves.		
 ATTENTION	Ce symbole indique la possibilité de blessures ou de dommages aux biens.		
	Ne fais jamais ça.		Faites-le toujours.

AVERTISSEMENT

<p> Branchez correctement la prise de courant.</p> <ul style="list-style-type: none"> • Sinon, il peut entraîner un choc électrique ou un incendie causé par la génération de la chaleur excessive. 	<p> Ne pas faire fonctionner ou arrêter l'appareil par le branchement ou le débranchement de la prise électrique.</p> <ul style="list-style-type: none"> • Il peut provoquer un choc électrique ou un incendie causé par la génération de la chaleur. 	<p> Ne pas endommager ou utiliser un cordon d'alimentation non spécifié.</p> <ul style="list-style-type: none"> • Il peut provoquer un choc électrique ou un incendie. • Si le cordon d'alimentation est endommagé, il doit être remplacé par le fabricant ou un centre de service agréé ou un personnel qualifié similaire pour éviter les dangers.
<p> Installez toujours un disjoncteur et un circuit d'alimentation dédié.</p> <ul style="list-style-type: none"> • Une installation incorrecte peut causer un incendie ou un choc électrique. 	<p> Ne pas l'utiliser sur les mains humides ou dans un environnement humide.</p> <ul style="list-style-type: none"> • Il peut entraîner un choc électrique 	<p> Ne dirigez pas le flux d'air uniquement vers les personnes dans la pièce.</p> <ul style="list-style-type: none"> • Cela peut nuire à votre santé.
<p> Assurez-vous toujours une mise à la terre efficace</p> <ul style="list-style-type: none"> • La mise à terre incorrecte peut causer un choc électrique. 	<p> Ne laissez pas l'eau couler dans les composants électriques.</p> <ul style="list-style-type: none"> • Il peut entraîner la défaillance de la machine ou un choc électrique. 	<p> Ne modifiez pas la longueur du cordon d'alimentation ou ne partagez pas de prises électriques avec d'autres appareils.</p> <ul style="list-style-type: none"> • Il peut provoquer un choc électrique ou un incendie dû à la génération de la chaleur.
<p> Débranchez l'appareil s'il y a des bruits, des odeurs ou de la fumée étrange.</p> <ul style="list-style-type: none"> • Il peut entraîner un incendie ou un choc électrique. 	<p> Ne pas l'utiliser si la prise est lâche ou endommagée.</p> <ul style="list-style-type: none"> • Il peut entraîner un incendie ou un choc électrique. 	<p> N'ouvrez pas l'appareil pendant le fonctionnement.</p> <ul style="list-style-type: none"> • Il peut entraîner un choc électrique.
<p> Éloignez des armes à feu.</p> <ul style="list-style-type: none"> • Il peut entraîner un incendie. 	<p> Ne pas utiliser l'appareil à proximité des appareils de chauffage.</p> <ul style="list-style-type: none"> • Il peut entraîner un incendie et un choc électrique. 	<p> N'utilisez pas cet appareil à proximité de substances inflammables, de récipients sous pression (par exemple, des aérosols) ou de substances inflammables (par exemple, de l'essence, du benzène, de l'acétylène, etc.</p> <ul style="list-style-type: none"> • Il peut provoquer une explosion ou un incendie.
<p> Aérez la chambre avant de faire fonctionner le climatiseur s'il y a de fuite de l'autre appareil.</p> <ul style="list-style-type: none"> • Il peut provoquer une explosion, un incendie ou des brûlures. 	<p> Ne pas démonter ou modifier l'appareil.</p> <ul style="list-style-type: none"> • Il peut entraîner une défaillance et un choc électrique. 	

CONSIGNES DE SECURITE IMPORTANTES

ATTENTION

⊗ Lorsque le filtre à air doit être retiré, ne pas toucher les pièces en métal de l'appareil.

- Cela peut causer des blessures.

⊗ Ne placez pas d'animaux domestiques ou de plantes d'intérieur dans un endroit où il est exposé au flux d'air direct.

- Cela peut nuire aux animaux domestiques ou aux plantes.

⊗ Ne pas l'utiliser dans une chambre contenant le soufre, le gaz ou l'huile.

- Il peut provoquer une explosion ou un incendie.

⊗ N'utilisez pas de détergents puissants tels que la cire ou le diluant, mais utilisez un chiffon doux s.v.p.

- L'apparence peut se détériorer en raison de changement de la couleur ou des rayures sur sa surface.

⊗ Ne pas nettoyer le climatiseur avec de l'eau.

- L'eau peut entrer dans l'appareil en dégradant l'isolation, cela peut causer un choc électrique.

⊗ Ne pas utiliser à des fins spéciales.

- Ne pas utiliser ce climatiseur pour conserver les appareils de précision, l'aliment, les animaux, les plantes ainsi que les objets artistiques. Il peut entraîner la détérioration de la qualité etc.

Ⓛ Arrêtez le fonctionnement en fermant les fenêtres dans la tempête ou l'hurricane.

- Le fonctionnement de l'appareil avec les fenêtres ouvertes peut entraîner l'humidité intérieure et l'immersion des meubles ménagers.

Ⓛ Mettez l'appareil hors tension lors de nettoyage de l'appareil, en désactivant le disjoncteur.

- Ne pas nettoyer l'appareil lorsque l'appareil est sous tension, puisqu'il provoquera un incendie et un choc électrique, cela peut provoquer des blessures.

Ⓛ Insérez toujours fermement le filtre, nettoyez-le une fois tous les deux semaines.

- Un fonctionnement sans filtre peut entraîner un dysfonctionnement.

Ⓛ Tenez la tête de la prise électrique lorsque vous la retirez.

- Il peut provoquer un choc électrique et un endommagement.

Ⓛ Éteignez l'interrupteur d'alimentation principal lorsque vous n'utilisez pas cet appareil pendant une longue période.

- Il peut provoquer une défaillance du produit ou un incendie.

⊗ Ne placez pas d'obstacles autour ou à l'intérieur de la sortie d'air.

- Il peut provoquer une défaillance de l'appareil ou un accident.

⊗ Ne placez pas d'objets lourds sur le cordon d'alimentation et assurez-vous que le cordon n'est pas compressé.

- Il y a un danger de l'incendie ou d'un choc électrique.

⊗ Ne buvez pas d'eau qui est drainée par le climatiseur.

- Il contient des polluants qui peuvent vous rendre malade.

Ⓛ Soyez prudent lors du déballage et de l'installation. Les bords tranchants peuvent causer des blessures.

Ⓛ Si de l'eau pénètre dans l'appareil, éteignez l'appareil à la prise de courant en désactivant le disjoncteur. Vous pouvez également de débrancher la prise de courant, puis contactez un technicien de service qualifié.

ATTENTION

- Cet appareil ne peut être utilisé par les personnes (y compris les enfants) ayant des capacités physiques, sensorielles ou mentales limitées ou manquant la connaissance et l'expérience requise qu'après avoir surveillé ou familiarisé avec les instructions sur l'utilisation de l'appareil par un personnel responsable de la sécurité.
- Les enfants doivent être surveillés afin d'assurer qu'ils ne jouent pas avec cet appareil.
- Si le CORDON D'ALIMENTATION est endommagé, il doit être remplacé par le fabricant, ses agents de service ou des

personnels qualifiés similaires afin d'éviter un accident.

- L'appareil doit être installé conformément aux règlements de câblage nationaux.
- Ne pas faire fonctionner votre climatiseur dans une chambre humide, par exemple la salle de bain ou la salle de lavage.
- L'appareil avec le chauffage électrique aura un espace d'au moins de 2 pieds pour les matériaux combustibles.
- Entrez en contact avec un technicien de service agréé pour la réparation ou la maintenance du présent appareil.

CONSIGNES DE SECURITE IMPORTANTES

REMARQUE

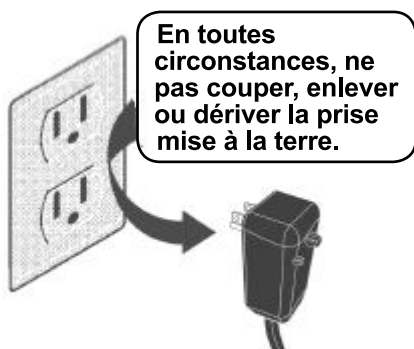
Le cordon d'alimentation du présent climatiseur contient un dispositif de détection de courant pour réduire les risques de l'incendie.

Pour obtenir les informations exhaustives, reportez-vous à la section Fonctionnement de l'Appareil Actuel. Si le cordon d'alimentation est endommagé et ne peut pas être réparé, il doit être remplacé par un cordon d'alimentation fourni par le fabricant.

AVERTISSEMENT

Eviter l'incendie ou le choc électrique. N'utilisez pas de rallonges ou de prises d'adaptateur. Ne débranchez aucune prise du cordon d'alimentation.

Prise murale de type mise à la terre



Cordon d'alimentation avec prise de terre à 3 broches et dispositif de détection de courant

AVERTISSEMENT

Pour Votre Sécurité

Ne pas stocker ou utiliser de l'essence ou d'autres vapeurs et liquides inflammables à proximité de cet appareil ou de tout autre appareil.

AVERTISSEMENT

Prévention des accidents

Pour réduire le risque de l'incendie, de choc électrique ou de blessure corporelle lors de l'utilisation d'un climatiseur, suivez les précautions de base suivantes:

- Assurez-vous que le service électrique fourni est adéquat pour le modèle que vous avez choisi. Cette information peut être trouvée sur la plaque de série située à l'arrière de l'armoire.
- Assurez-vous que le climatiseur est installé correctement en toute sécurité, conformément aux instructions d'installation du présent manuel. Conservez ce manuel pour la référence ultérieure lors du démontage ou de l'installation de cet appareil.
- Lors de manipulation du climatiseur, soyez prudent d'éviter les coupures des plaques métalliques tranchantes au front et à l'arrière des bobines.

AVERTISSEMENT

Information Electrique

La cote électrique complète de votre nouveau climatiseur portatif est indiquée sur la plaque de série.

Lorsque vous vérifiez les exigences électriques, consultez les cotes.

- Assurez-vous que le climatiseur est correctement mis à la terre. La mise à la terre appropriée est importante afin d'éviter le choc électrique et l'incendie etc. Le cordon d'alimentation est équipé d'une prise de terre à trois broches pour la protection contre le risque de choc électrique.
- Votre climatiseur doit être utilisé dans une prise murale correctement mise à la terre. Si la prise murale que vous voudriez utiliser n'est pas mise à la terre adéquatement ou n'est pas protégée par un fusible à retardement ou un disjoncteur, veuillez désigner un électricien qualifié pour monter la prise appropriée.
- Assurez-vous que la prise est accessible après l'installation de l'appareil.
- Ne pas faire fonctionner le climatiseur qui n'a pas installé le tuyau d'échappement et les panneaux de fenêtre. Cela peut entraîner des dommages mécaniques à l'intérieur du climatiseur.
- **N'utilisez pas de rallonges ou de prises d'adaptateur.**

CONSIGNES DE SECURITE IMPORTANTES

AVERTISSEMENT

- Tout le câblage doit être conforme aux codes électriques locaux et nationaux et effectué par un électricien qualifié. Si vous avez des questions sur les instructions ci-dessous, veuillez entrer en contact avec un électricien qualifié.
- Vérifiez si l'alimentation électrique est disponible et résolvez tout problème de câblage avant d'installer et d'utiliser cet appareil.
- Installez et utilisez cet appareil uniquement en respectant les instructions dans le présent manuel. Soyez toujours prudent lors de l'utilisation de cet appareil.
- L'appareil doit être installé conformément aux règlements de câblage nationaux.
- L'équipement doit être transporté verticalement ou sur ses côtés. L'eau à l'intérieur de tout circuit doit être vidée avant le transport.
- Ne laissez pas votre appareil allumé pendant au moins une heure avant de le démarrer.
- Ne pas stocker aucun objet sur l'appareil, surtout les objets lourds ou chauds.
- Ne pas conserver l'appareil couvert avec des sacs en plastique.
- Veuillez observer les règlements et les directives locaux de mise au rebut et d'emballage des appareils électriques. Consultez le gouvernement ou le détaillant local sur les options de recyclage.
- Ne pas placer l'appareil au front des rideaux ou drapaux au cas où ils toucheraient le dos de l'entrée d'air.
- Cet appareil est destiné uniquement à la maison.

AVERTISSEMENT

- Ne pas mouiller le boîtier ou le panneau de commande.
- Ne couvrez pas la sortie d'air lors de l'utilisation.
- Ne placez aucun objet sur l'appareil ni laissez personne s'asseoir sur l'appareil.
- N'essayez pas de retirer une partie du boîtier à moins qu'il soit manipulé par un technicien autorisé.
- Si l'appareil n'est pas utilisé pendant une longue période, débranchez-le de la prise.
- Utilisez uniquement la source de courant en CA 115V ~ 60Hz.

SPECIFICATIONS

Les chiffres indiqués dans le contenu ne sont donnés qu'à titre indicatif. L'application peut être différente dans différents pays ou régions et doit être basée sur les meilleures pratiques opérationnelles.

Tension / Fréquence	AC 115V~60Hz
Type de réfrigérant	R32
Température/ Humidité de travail	61°F-95°F /30%- 80% HR

REMARQUE

Schéma de câblage collé à l'intérieur du panneau arrière.

REMARQUE

Les produits électriques abandonnés ne doivent pas être mis au rebut avec les ordures ménagères. Veuillez les recycler dans un endroit où il existe des installations. Consultez le gouvernement ou le détaillant local pour obtenir des conseils sur le recyclage.



CONSIGNES DE SECURITE IMPORTANTES





AVERTISSEMENT (UNIQUEMENT POUR L'UTILISATION DE REFRIGERANT R32)

- VEUILLEZ LIRE CE MANUEL SOIGNEUSEMENT AVANT D'UTILISER CET APPAREIL.
- Si le réfrigérant entre en contact avec un chauffage électrique, un four ou une autre source d'inflammation, la stagnation d'une éventuelle fuite de gaz du réfrigérant dans une chambre non ventilée peut entraîner un risque d'incendie ou d'explosion.
- Soyez prudent lors du stockage de votre équipement en pour prévenir la défaillance mécanique.
- Seulement les personnels autorisés par une agence accréditée certifiée capable de manipuler les réfrigérants en conformité avec la législation régionale peuvent travailler sur les circuits de réfrigérant.
- N'utilisez pas de méthodes qui accélèrent le processus de dégivrage ou de nettoyage autre que ceux recommandés par le fabricant.
- L'équipement doit être conservé dans une chambre sans source d'ignition en fonctionnement continu (par exemple: La flamme nue, un appareil à gaz au cours de fonctionnement) et sans source d'ignition ou (par exemple : Un chauffage électrique qui fonctionne) à proximité de l'appareil.
- Ne pas perforer ou brûler.
- Il faut noter que le réfrigérant n'émet aucune odeur.
- Les règlements nationaux du gaz doivent être respectés.
- Maintenez les événements sans obstruction.
- L'équipement doit être bien conservé afin d'empêcher les dommages mécaniques
- Il faut noter que les appareils électriques doivent être stockés dans un endroit bien ventilé, où la taille de la chambre correspond à la zone de la pièce comme spécifiée pour le fonctionnement.
- Toute personne impliquée dans le travail du circuit de réfrigérant ou qui intervient dans le circuit de réfrigérant doit être titulaire d'un certificat valide actuel décerné par un organisme d'évaluation reconnu par l'industrie qui l'autorise à manipuler en toute sécurité les réfrigérants qui ne répondent pas aux spécifications d'évaluation reconnues par l'industrie.
- Le service ne peut qu'être effectué conformément aux recommandations du fabricant de l'appareil.
- L'entretien et la réparation nécessitant l'assistance d'autres personnes qualifiées doivent être effectués sous la supervision d'une personne qui est capable d'utiliser un réfrigérant inflammable.
- NE modifiez pas la longueur du cordon d'alimentation ou n'utilisez pas de rallonges pour alimenter l'appareil.
- NE partagez pas une prise avec d'autres appareils. L'alimentation électrique inadéquate peut provoquer un incendie ou une électrocution.
- Veuillez observer strictement les instructions afin de manipuler, installer, nettoyer ou inspecter le climatiseur, afin d'éviter tous les dommages ou dangers. Le Réfrigérant Inflammable R32 est utilisé dans le climatiseur. Lors de l'entretien ou de la manipulation du climatiseur le réfrigérant (R32) doit être correctement recyclé et ne doit pas être drainé dans l'air.
- Il ne doit pas présenter les flammes nues ou les dispositifs susceptibles de produire des étincelles / Arcs électriques autour du climatiseur pour éviter l'ignition du réfrigérant inflammable utilisé. Veuillez suivre les instructions soigneusement pour stocker ou maintenir le climatiseur afin d'empêcher les dommages mécaniques.
- Le réfrigérant inflammable R32 est utilisé dans le climatiseur. Veuillez suivre les instructions soigneusement afin d'éviter les accidents.



CONSIGNES DE SECURITE IMPORTANTES

Description des symboles affichés sur l'appareil (Uniquement pour les appareils avec Réfrigérant R32)

	AVERTISSEMENT	This symbol shows that this appliance used a flammable refrigerant. If the refrigerant is leaked and exposed to an external ignition source, there is a risk of fire.
	ATTENTION	This symbol shows that the operation manual should be read carefully.
	ATTENTION	This symbol shows that a service personnel should be handling this equipment with reference to the installation manual.
	ATTENTION	This symbol shows that information is available such as the operating manual or installation manual.

AVERTISSEMENT (UNIQUEMENT POUR L'UTILISATION DE REFRIGERANT R32)

1. Transport d'équipements contenant des réfrigérants inflammables
Référez-vous aux règlements du transport.
2. Marquage de l'équipement avec des signes
Voir les règlements locaux.
3. Mise au rebut des équipements utilisant les réfrigérants inflammables
Référez-vous aux règlements nationaux.
4. Stockage des équipements/ des appareils
Le stockage des équipements doit observer les instructions du fabricant.
5. Conservation d'équipement emballé (non vendu)
La structure de protection de l'emballage de conservation doit s'assurer que le dommage mécanique de l'équipement à l'intérieur de l'emballage ne provoque pas la fuite de réfrigérant chargé.
Le nombre max. des équipements autorisés à conserver ensemble sera déterminé conformément aux règlements locaux.
6. Informations sur la réparation
 - a) Contrôle de la zone : Avant de commencer le fonctionnement d'un système contenant un réfrigérant inflammable, le contrôle de sécurité est nécessaire afin d'assurer que le risque d'ignition est minimisé. Les précautions suivantes doivent être observées avant d'effectuer la réparation sur le système de réfrigération.
 - b) Procédure de travail: Les opérations doivent être effectuées selon la procédure contrôlée afin de minimiser le risque de présence de gaz ou de vapeurs inflammables pendant les opérations.
 - c) Zone de travail générale: La nature des travaux en cours doit être expliquée à tous les personnels de maintenance et aux autres personnes travaillant sur place. Le travail dans des espaces confinés doit être évité. La zone autour de la zone de travail doit être zonée. Assurer la sécurité des conditions dans la zone par le contrôle des matériaux inflammables.
 - d) Vérifiez s'il y a de réfrigérant: La zone doit être inspectée avant et pendant le travail avec un détecteur de réfrigérant approprié pour s'assurer que le technicien est au courant de l'environnement potentiellement inflammable. Assurez-vous que l'équipement de détection de fuite utilisé est adéquat pour l'utilisation avec le réfrigérant inflammable, c'est-à-dire sans étincelles, correctement scellé ou intrinsèquement sûr.
 - e) Il présente un extincteur: Si des travaux à

CONSIGNES DE SECURITE IMPORTANTES

feu doivent être effectués sur un appareil frigorifique ou tous les composants connexes, un extincteur à main doit être fourni. Un extincteur à poudre sèche ou à dioxyde de carbone doit être installé à proximité de la zone de chargement.

- f) Pas de source d'inflammation: Il est interdit à toute personne, dans l'exécution de travaux relatifs à un système de réfrigération qui expose des travaux de plomberie contenant ou ayant contenu un réfrigérant inflammable, d'utiliser une source d'inflammation qui pourrait entraîner un risque d'incendie ou d'explosion. Toutes les sources possibles d'inflammation, y compris la fumée de cigarette, doivent être gardées à l'écart des sites d'installation, de réparation, d'élimination et de mise au rebut, pendant ce processus, des réfrigérants inflammables peuvent être libérés dans l'espace environnant. Avant le début des travaux, la zone entourant l'équipement doit être inspectée pour s'assurer qu'il n'y a pas de danger d'inflammabilité ou de risque d'ignition. Un signe d'interdiction de fumer doit être affiché.
- g) Zone de ventilation: Assurez-vous que la zone est ouverte ou bien ventilée avant d'accéder au système ou de mettre en œuvre un travail à feu. Un certain degré de ventilation doit être maintenu pendant l'exécution des travaux. La ventilation doit disperser en toute sécurité tout réfrigérant libéré, de préférence en le vidant vers l'extérieur dans l'atmosphère.
- h) Contrôle des équipements frigorifiques: Lors du remplacement des composants électriques, ceux-ci doivent être adaptés à l'utilisation et aux spécifications correctes. Les directives de maintenance et de service du fabricant doivent toujours être respectées. En cas de doute, consultez le département technique du fabricant pour demander l'assistance. Les contrôles suivants s'appliquent aux installations qui utilisent des réfrigérants inflammables:
- La capacité de charge est en conformité avec la taille de la chambre dans laquelle les composants contenant le

réfrigérant sont installés. Les machines de ventilation et les événements fonctionnent bien et ne sont pas obstrués.

- Si un circuit de réfrigération indirecte est utilisé, il faut vérifier s'il présente de réfrigérant dans le circuit secondaire.
 - Les marques sur l'appareil doivent être claires et visibles. Les marques et signes illisibles doivent être corrigés;
 - Les tubes ou composants frigorifiques sont installés dans des endroits où ils sont difficiles d'être exposés à des substances susceptibles de corroder les composants contenant du réfrigérant, Sauf si les composants sont constitués par les matériaux intrinsèquement résistant à la corrosion ou est correctement protégé contre la corrosion.
- i) Contrôles des appareils électriques: La réparation et l'entretien des composants électriques doivent comprendre un contrôle de sécurité initial et des procédures de contrôle des composants. En cas de défaillance susceptible de compromettre la sécurité, l'alimentation électrique ne doit pas être connectée au circuit tant qu'elle n'a pas été traitée de manière satisfaisante. Si la défaillance ne peut pas être corrigée immédiatement, mais il est nécessaire de continuer le fonctionnement, une résolution temporaire adéquate doit être utilisée. Cette situation doit être signalée au propriétaire de l'appareil de sorte que toutes les parties puissent en être informées. Les contrôles de sécurité initiaux comprennent:
- Décharge du condensateur: Elle doit être faite de manière sûre pour éviter la possibilité de générer des étincelles;
 - Aucun composant électrique et aucun fil électrique sous tension n'est exposé lors de la charge, du recyclage ou de la purge du système;
 - La mise à la terre est continue.
7. Réparation des composants étanches
- a) Pendant la réparation des composants étanches, toutes les sources électriques doivent être déconnectées de

CONSIGNES DE SECURITE IMPORTANTES

l'équipement en fonctionnement avant de retirer le couvercle d'étanchéité, etc. Il est absolument nécessaire d'alimenter l'équipement pendant la réparation, puis un détecteur de fuite fonctionnant en permanence doit être installé à l'endroit le plus critique pour avertir des situations potentiellement dangereuses.

- b) Une attention particulière doit être accordée aux éléments suivants pour s'assurer que le boîtier n'est pas modifié lors de l'opération sur les composants électriques, ce qui affecte le niveau de protection. Cela devrait inclure des câbles endommagés, un nombre excessif de connexions, des terminaux non conformes aux spécifications d'origine, des joints endommagés, une installation incorrecte du presse-étoupe, etc.

- Assurez-vous que l'appareil est bien installé.
- Assurez-vous que le joint ou le matériau d'étanchéité ne se dégrade pas de sorte qu'il ne soit plus utilisé pour empêcher l'entrée de gaz inflammables. Les pièces de rechange doivent être conformes aux spécifications du fabricant.

▲ Remarque: L'utilisation de scellant au silicium peut inhiber l'efficacité de certains types d'équipements de détection de fuite. Il n'est pas nécessaire d'isoler les composants intrinsèquement sûrs avant de les manipuler.

8. Réparation des composants intrinsèquement sûrs

Aucune charge inductive ou capacitive permanente ne doit être exercée sur le circuit sans s'assurer que la tension et le courant autorisés par l'équipement utilisé ne sont pas dépassés.

Lorsque vous travaillez dans un environnement inflammable, seuls les composants intrinsèquement sûrs peuvent être utilisés. Le dispositif d'essai doit avoir une cote correcte.

Remplacez les composants uniquement par des pièces spécifiées par le fabricant. D'autres composants peuvent provoquer l'inflammation du réfrigérant dans l'atmosphère en raison de fuite.

9. Câblage

Vérifiez que le câble n'est pas exposé à l'usure, à la corrosion, à une pression excessive, aux vibrations, aux bords tranchants ou à tout autre effet environnemental défavorable. L'inspection doit tenir compte également des effets du vieillissement ou des vibrations constantes provenant de sources telles que les compresseurs ou les ventilateurs.

10. Détection des réfrigérants inflammables

Dans tous les contextes, utilisez une source d'inflammation dans la recherche ou la détection de fuite de réfrigérant. Les torches à halogénure (ou tout autre détecteur utilisant une flamme nue) ne doivent pas être utilisées.

11. Méthodes de détection de fuite

Les méthodes de détection de fuite suivantes sont considérées comme appropriées pour les systèmes contenant des réfrigérants inflammables. Les détecteurs de fuite électriques doivent être utilisés à détecter les réfrigérants inflammables, mais sa sensibilité peut ne pas être suffisante ou un recalibrage peut être nécessaire. (L'équipement de détection doit être étalonné dans une zone sans réfrigérant.) Assurez-vous que le détecteur n'est pas une source potentielle d'inflammation et qu'il convient au réfrigérant utilisé. L'équipement de détection de fuite doit être réglé sur le pourcentage de réfrigérant LFL et doit être étalonné en fonction du réfrigérant utilisé, le pourcentage de gaz approprié a été conformé (maximum 25%). Les liquides de détection de fuite conviennent à la plupart de réfrigérants, néanmoins l'utilisation de détergents contenant le chlore doit être évitée, puisque le chlore peut réagir avec le réfrigérant en corrodant les tubes en cuivre. Une fois une fuite soit suspectée, toutes les flammes nues doivent être enlevées / éteintes. Si une fuite de réfrigérant nécessitant un brasage est détectée, tout le réfrigérant doit être récupéré du système ou isolé (par une vanne d'arrêt) dans une partie du système éloignée de la fuite. L'azote sans oxygène (OFN) doit ensuite être purgé par le système avant et pendant le processus de brasage.

12. Démolition et évacuation

CONSIGNES DE SECURITE IMPORTANTES

Les procédures de routine doivent être utilisées lors d'accès au circuit de réfrigérant pour la réparation ou à tous les autres fins. Cependant, il est important de suivre les meilleures pratiques, car l'inflammabilité est considérée comme un facteur important. Le système de réfrigération ne doit pas être ouvert à travers le brasage. Les processus au-dessous doivent être respectés:

- Élimination du réfrigérant:
- Purge du circuit avec le gaz inerte;
- Drainage;
- Purgez encore une fois avec le gaz inerte;
- Débranchez le circuit par la découpe ou le brasage.

La charge de réfrigérant doit être recyclée dans les cylindre de recyclage approprié. Un système doit être rincé avec l'OFN afin d'assurer la sécurité de l'appareil. Ce processus peut être répété à plusieurs reprises. L'air comprimé ou l'oxygène ne doivent pas être utilisés pour cette tâche.

Le rinçage doit être effectué en brisant le vide dans le système à l'aide d'OFN et en continuant à le remplir jusqu'à ce que la pression de service soit atteinte, puis en l'échappant dans l'atmosphère et en le réduisant finalement au vacuum. Ce processus doit être répété jusqu'à ce qu'il n'y ait plus de réfrigérant dans le système. Lorsque la charge finale OFN est utilisée, le système doit être déchargé à la pression atmosphérique pour assurer le fonctionnement. Cette opération est essentielle si le brasage doit être effectué sur le tuyau.

Assurez-vous que l'évent de la pompe à vide n'est pas proche de toute source d'inflammation et que la ventilation est disponible.

13. Processus de charge

A l'exception des processus de charge de routine, les exigences au-dessous doivent être observées.

- Assurez-vous que les différents réfrigérants ne sont pas contaminés lorsque vous utilisez un appareil de charge. Les tubes ou les circuits doivent être aussi court que

possible pour minimiser la quantité de réfrigérant qu'ils contiennent.

- Les cylindres doivent être posés verticalement.
- Assurez-vous que le système de réfrigération est mis à la terre avant de le charger avec du réfrigérant.
- Une fois la charge terminée (si ce n'est pas encore fait), apposez une étiquette sur votre système.
- Une attention particulière doit être accordée que le système de réfrigération ne doit pas trop rempli.
- Avant de recharger le système, il doit être soumis à un test de pression avec l'OFN. Le système doit être testé pour les fuites après la fin de la charge, mais avant la mise en service. Des tests d'étanchéité ultérieurs doivent être effectués avant de quitter le site.

14. Désactivation

Avant d'effectuer cette procédure, il est essentiel que le technicien doit être parfaitement familiarisé avec l'appareil et tous ses détails. Il est recommandé d'adopter de bonnes pratiques pour recycler en toute sécurité tous les réfrigérants. Avant de faire cette tâche, les échantillons d'huile et de réfrigérant doivent être prélevés au cas où une analyse serait nécessaire avant de réutiliser le réfrigérant recyclé. Il est essentiel que l'alimentation électrique est disponible au début de la tâche.

- a) Familiarisez-vous avec l'équipement et son fonctionnement.
- b) Électrification du système isolant.
- c) Avant d'essayer ce processus, assurez-vous que: L'équipement de traitement mécanique est disponible, le cas échéant, pour traiter les cylindres réfrigérants. Le processus de recyclage est toujours supervisé par un personnel compétent. L'équipement et les cylindres de recyclage répondent aux normes appropriées.
- d) Pompez le système réfrigérant si possible.
- e) Si le vacuum n'est pas réalisé, fabriquez

CONSIGNES DE SECURITE IMPORTANTES

un collecteur pour drainer le réfrigérant par différentes parties du système.

- f) Assurez-vous que le cylindre est situé sur la balance avant de procéder au recyclage.
- g) Démarrez la machine de recyclage et la fonctionnez suivant les instructions du fabricant.
- h) Ne remplissez pas trop le cylindre. (Pas plus de 80% du volume de charge de liquide).
- i) Ne pas excéder la pression maximale de fonctionnement du cylindre, même temporairement.
- j) Lorsque les cylindres sont remplis correctement et le processus est terminé, assurez-vous que les cylindres et l'équipement sont immédiatement retirés du site et fermez toutes les vannes d'isolement de l'équipement.
- k) Le réfrigérant recyclé ne doit pas être chargé dans un autre système de réfrigération à moins d'avoir été nettoyé et inspecté.

15. Étiquetage

L'équipement doit porter une étiquette indiquant qu'il est désactivé ou le réfrigérant est vidé. L'étiquette doit être datée et signée. Assurez-vous que l'appareil porte une étiquette indiquant qu'il contient un réfrigérant inflammable.

16. Recyclage

Lorsque le réfrigérant a été éliminé du système à des fins de réparation ou de désactivation, il est recommandé d'adopter de bonnes pratiques pour éliminer en toute sécurité tous les réfrigérants.

Lorsque vous transférez du réfrigérant dans le cylindre, assurez-vous que le cylindre de recyclage avec le réfrigérant approprié doit être appliqué. Assurez-vous que le nombre de

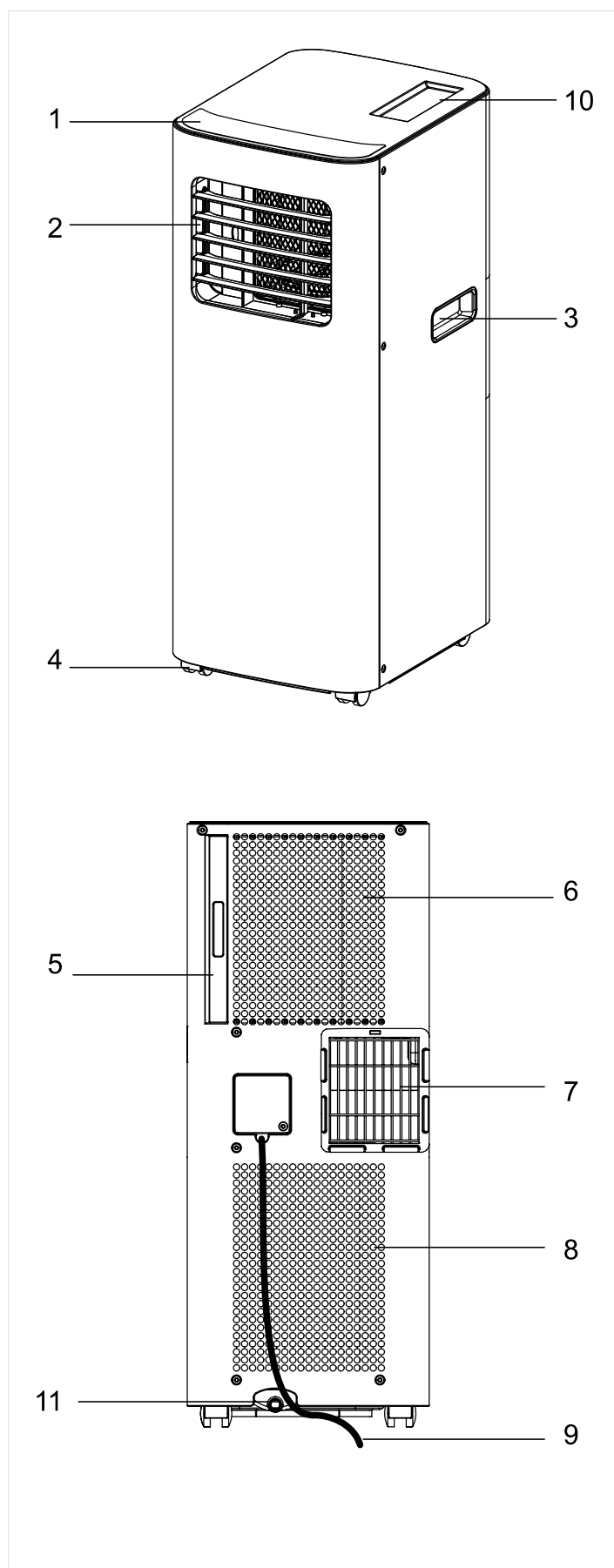
cylindres est correct pour maintenir la charge totale du système. Tous les cylindres utilisés sont désignés pour le réfrigérant à recycler et étiquetés pour ce réfrigérant (c'est-à-dire les cylindres spéciaux pour le recyclage du réfrigérant). Les cylindres doivent être équipés de soupapes de surpression et de soupapes de fermeture associées, ces cylindres fonctionnent en bon état.

Videz les cylindres de recyclage et, le cas échéant, les refroidissez avant le recyclage. L'équipement de recyclage fonctionne en bon état, avec les instructions concernant l'équipement existant et adaptées au recyclage des réfrigérants inflammables. D'ailleurs, un kit de balances calibrées doit être fourni qui fonctionnent en bon état. Le tuyau doit être équipé d'un raccord de déconnexion sans fuite et en bon état. Avant d'utiliser la machine de recyclage, vérifiez que le fonctionnement est en bon état, qu'il a été correctement entretenu et que les composants électriques associés sont bien étanchéités afin de prévenir l'inflammation lors de libération du réfrigérant. En cas de doute, consultez le fabricant.

Le réfrigérant recyclé doit être retourné au fournisseur de réfrigérant dans le cylindre de recyclage approprié et un bon de transfert des déchets doit être établi. Ne pas mélanger le réfrigérant dans l'appareil de recyclage et surtout pas dans les cylindres.

En cas de vider les compresseurs ou l'huile du compresseur, assurez-vous qu'ils sont évacués au niv. approprié et le réfrigérant inflammable n'est pas retenu dans le lubrifiant. Le processus de vidange doit être effectué avant le retour du compresseur au fournisseur. Seul le corps du compresseur peut être chauffé électriquement pour accélérer ce processus. Lorsque l'huile est évacuée du système, elle doit être faite en toute sécurité.

IDENTIFICATION DES PIÈCES

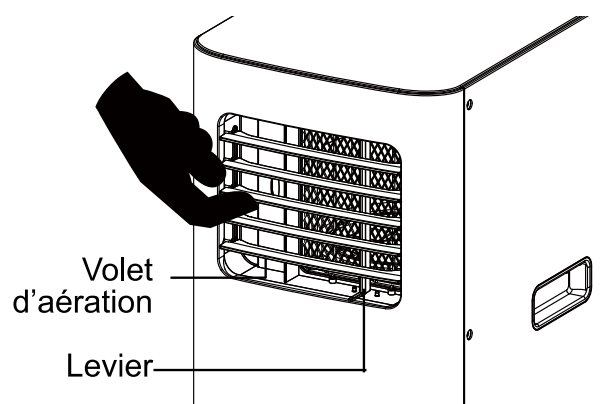


REMARQUE

Remarque: Veuillez assurer que le drain d'eau est bien installé avant utilisation.

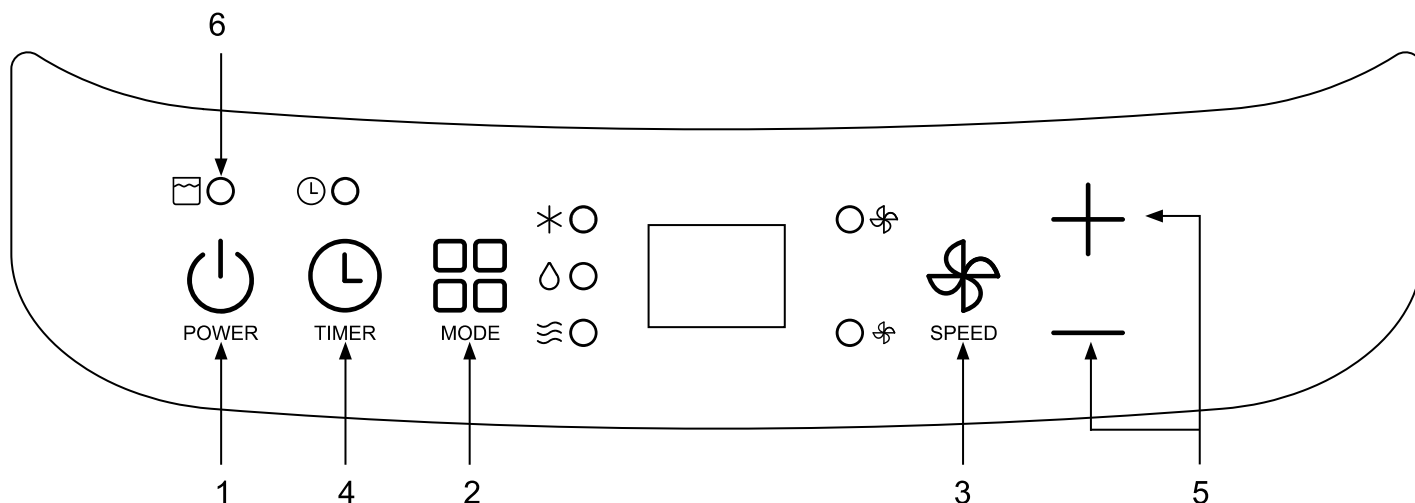
REMARQUE

- Ouvrir la sortie d'air dans la position souhaitée en retournant le volet d'aération et le levier.
- Le volet d'aération doit être ouvert si l'appareil est en marche.



FONCTIONNEMENT

PANNEAU DE CONTROLE



1. Bouton Marche/Arrêt
2. Contrôle du mode
3. Contrôle de la vitesse du ventilateur
4. Minuterie
5. Contrôle de la minuterie/la température
6. Voyant du reservoir plein

BOUTON MARCHE/ARRET

L'appareil est ouvert ou éteint par le bouton Marche/Arrêt.

CONTROLE DU MODE

Paramètres: •Refroidissement •Déshumidification •Ventilateur

Utilisez les boutons de contrôle du mode pour ajuster les paramètres. Le voyant indiquera quel paramètre est actuellement utilisé.

• MODE REFROIDISSEMENT

Pendant le mode refroidissement, l'air est refroidi et l'air chaud est échappé vers l'extérieur par le conduit d'échappement. La vitesse du ventilateur est réglée par la température pour s'adapter au degré de confort souhaité. La plage de réglage de la température est de 61 ° F - 89 ° F.

Remarque: Les tuyaux d'échange d'air doivent être ventilés à l'extérieur de la chambre lors de choix du mode de refroidissement.

• MODE DE DESHUMIDICATION

L'air est déshumidifié lorsqu'il traverse l'appareil non en mode de refroidissement complet. Si la température ambiante est supérieure à 77 ° F, la vitesse du ventilateur peut être ajustée; Sinon, la vitesse du ventilateur est fixée à 'Niv. bas'.

Remarque: Si l'appareil doit être utilisé comme un déshumidificateur, ne raccordez pas le tuyau d'échappement et laissez l'air chaud retourner dans la chambre. Un drainage constant est donc nécessaire.

FONCTIONNEMENT

• MODE VENTILATEUR

L'air circule dans toute la chambre sans refroidissement.
Note: L'appareil ne doit pas être ventilé en mode Ventilateur.

CONTROLE DE LA VITESSE DU VENTILATEUR

Le contrôle de la vitesse du ventilateur a 2 paramètres: Elevé et Bas.

MINUTERIE

Désactivation Automatique:

Lorsque la machine est en mode fonctionnement, appuyez sur le bouton de minuterie pour régler le contrôle de la minuterie. Appuyez sur " + " ou " - " pour sélectionner le nombre d'heures vous souhaitez l'appareil fonctionne avant de l'éteindre automatiquement.

Activation Automatique:

Lorsque la machine est en mode veille, appuyez sur le bouton de minuterie pour régler le contrôle de la minuterie. Appuyez sur " + " ou " - " pour sélectionner le nombre d'heures avant que l'appareil est démarré automatiquement en mode climatisation.

Remarque: L'heure peut être ajustée entre 1 et 24 heures.

CONTROLE DE LA TEMPERATURE

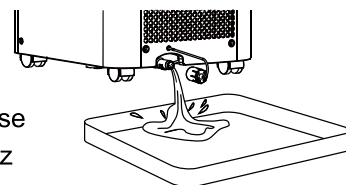
- Utilisé pour régler le thermostat.
- L'affichage par défaut est la température de la chambre.
- En mode refroidissement, lorsqu'on appuie sur le bouton " + " ou " - " la température réglée est affichée et la température peut être ajustée. Après quelques secondes, l'écran reviendra à la température ambiante. La température ne peut être réglée qu'en mode refroidissement.

Remarque: Appuyez sur les boutons " + " et " - " en même temps, l'affichage basculera entre Celsius et Fahrenheit.

VOYANT DU RESERVOIR PLEIN

Si le réservoir interne est plein, le Voyant du Réservoir Plein sera allumé en rouge et l'appareil ne fonctionnera pas tant que l'appareil n'ait pas été drainé. Pour drainer l'excès de l'eau:

1. Placez d'abord un bac sous le drain de sortie d'eau.
2. Dévissez le couvercle de vidange et laissez l'eau s'écouler dans le bac. Lorsque l'eau cesse de s'écouler, remplacez le couvercle de vidange.
3. Éliminez l'eau du bac et versez-la dans l'évier.
4. Faites fonctionner l'appareil en mode ventilateur pour sécher l'intérieur de l'appareil.



REMARQUE

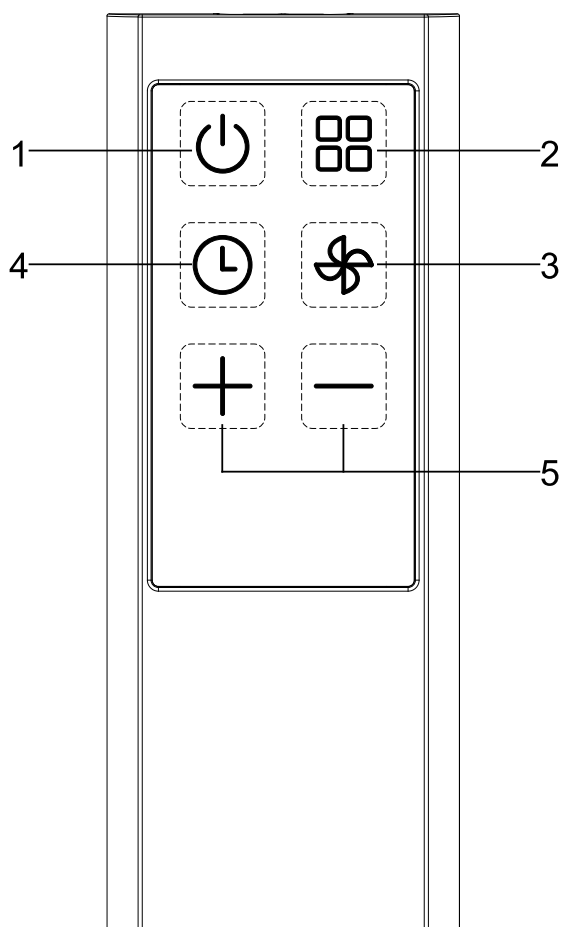
Après avoir éteint le climatiseur, vous devrez attendre 3 minutes avant de le rallumer.

FONCTIONNEMENT

TELECOMMANDE

Ces fonctions sont identiques aux touches tactiles du climatiseur.

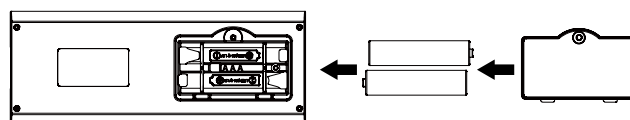
Toutes les fonctions des touches peuvent être accessibles via la télécommande.



1. Bouton Marche/arrêt :Activation/Désactivation
2. Contrôle du mode:
 - Refroidissement • Déshumidification • Ventilateur
3. Contrôle de la vitesse du Ventilateur: Elevé et Bas.
4. Contrôle de la Minuterie:
 - En mode fonctionnement : Désactivation Automatique
 - En mode veille: Activation Automatique
5. Contrôle de la Minuterie/Température
 - Utilisé pour régler la minuterie et le thermostat.
 - L'affichage par défaut est la température de la chambre.
 - Lorsqu'on appuie sur le bouton " + " ou " - " la température réglée est affichée qui peut être ajustée. Après quelques secondes, l'écran reviendra à la température ambiante de la chambre.

BATTERIES

Retirez le couvercle à l'arrière de la télécommande et insérez les batteries avec les pôles (+) et (-) orientés vers la direction propre.

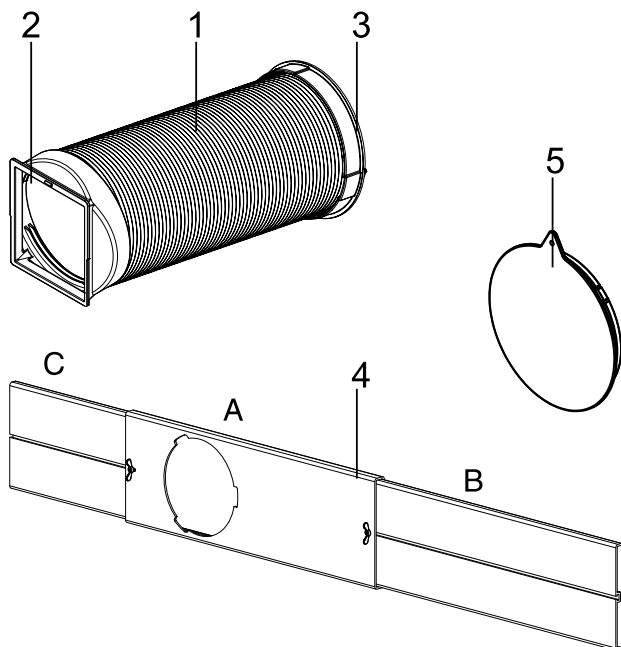


ATTENTION

Utilisez uniquement des piles AAA ou IEC R03 1.5 V.
Si la télécommande n'est pas utilisée depuis un mois ou plus, enlevez les batteries.
N'essayez pas de charger la batterie fournie. Toutes les batteries doivent être remplacées en même temps.
Ne pas mettre au rebut les batteries dans le feu car les batteries pourra être explosées.

INSTRUCTION D'INSTALLATION

ACCESSOIRES INCLUS

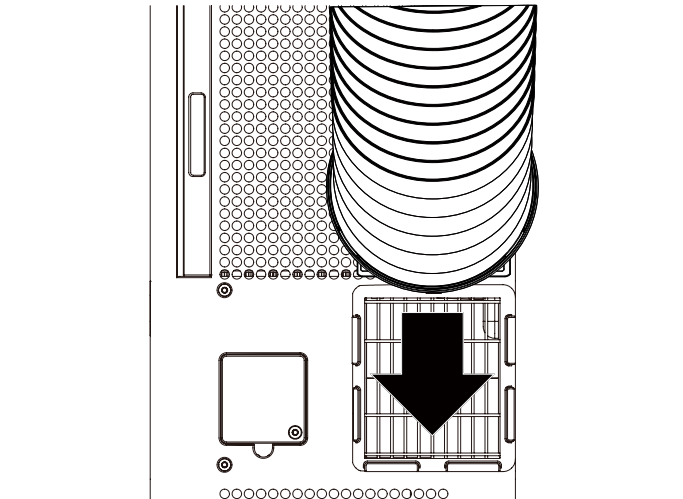


1	Tuyau d'échappement	1
2	Connecteur connecté au dos de l'appareil	1
3	Connecteur pour connecter le panneau principal	1
4	Panneaux de fenêtre et d'extension de 20" à 47"	3
5	Couvercle de Plaque de la Fenêtre	1

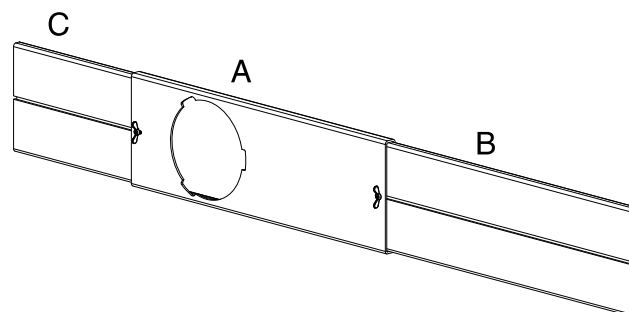
INSTALLATION

Pendant le fonctionnement normal, un espace d'air d'au moins 19,7 pouces (50 cm) doit être maintenu entre les côtés avant / gauche / droite / supérieur du climatiseur portatif et les obstacles adjacents, et un espace d'au moins 31,5 pouces (80 cm) doit être maintenu entre le côté arrière du climatiseur portatif et les obstacles adjacents.

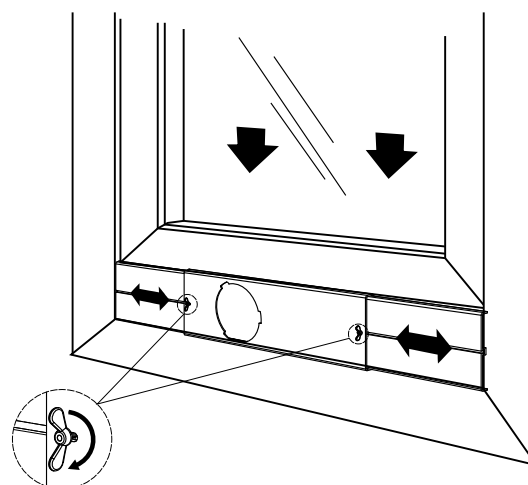
1. Faites glisser l'assemblage du tuyau avec le raccord d'échappement (# 2) dans le panneau arrière.



2. Insérez les panneaux de fenêtre B et C aux deux extrémités du panneau principal A. Utilisez des vis et des écrous montés aux deux extrémités du panneau principal A pour régler la longueur du panneau de fenêtre.

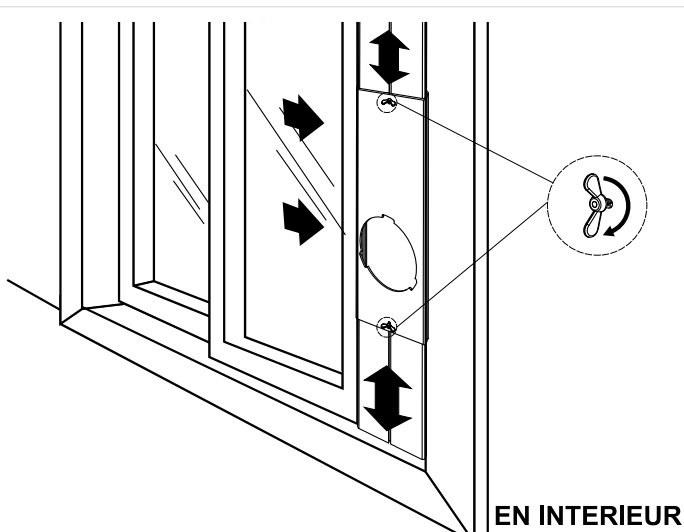


3. Ouvrez la fenêtre, en plaçant les panneaux de fenêtre dans la fenêtre. Ajustez les plaques d'extension afin de s'adapter à la largeur et la hauteur de la fenêtre. Utilisez les vis et les écrous pour serrer ou desserrer les plaques d'extension.

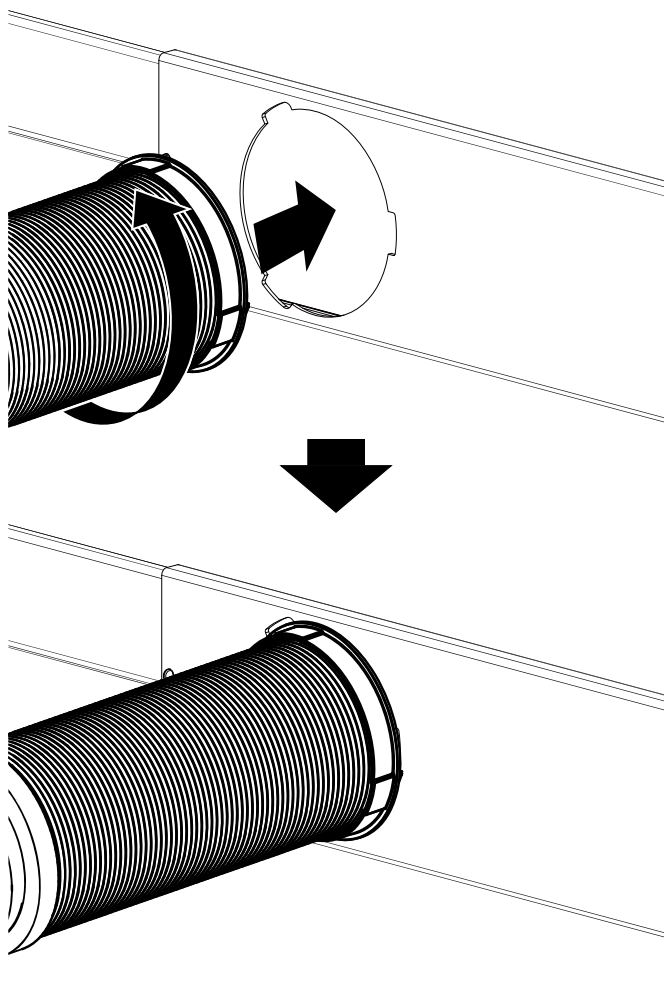


EN INTERIEUR

INSTRUCTION D'INSTALLATION



4. Insérez l'autre extrémité de l'assemblage du tuyau d'échappement dans le panneau de fenêtre en tournant dans le sens inverse des aiguilles d'une montre pour le fixer.

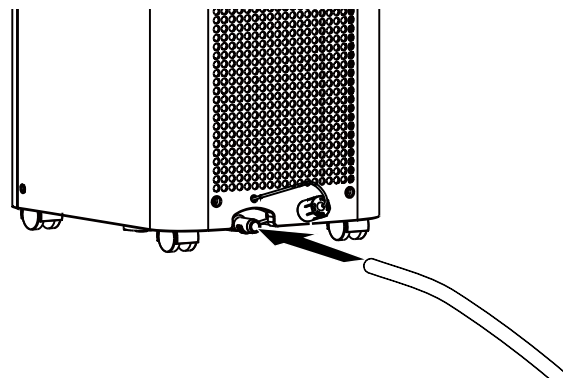


5. Branchez le cordon d'alimentation dans une prise murale et appuyez sur le bouton "Réinitialisation".
6. Les panneaux de fenêtre peuvent être laissés en place lorsque vous retirez le climatiseur portatif pour le stockage. Il suffit de placer le couvercle (#5) pour couvrir les trous sur le panneau de fenêtre.

DRAINAGE CONTINU

Lorsqu'un système de drainage approprié est disponible à proximité, la fonction de drainage continu peut être activée en suivant les étapes ci-dessous.

1. Préparez un tuyau (diamètre interne 0,51pouces (13mm), non inclus) pour drainer l'eau vers l'extérieur.
2. Retirez le couvercle de vidange de l'orifice de drainage.
3. Connectez le tuyau avec la sortie de drainage.



IMPORTANT:

- Le tuyau de vidange doit être installé en mode déshumidificateur.
- En mode refroidissement, lorsque l'humidité ambiante est élevée, l'eau ne peut pas être évaporée complètement. Il est donc nécessaire de drainer l'excès d'eau du réservoir interne de l'appareil, un drainage constant est recommandé.

DEPANNAGE

Les situations suivantes ne peuvent pas toujours être une défaillance, veuillez vérifier avant de consulter le service.

Problèmes	Analyse
L'appareil ne fonctionne pas	<ul style="list-style-type: none">• Si le protecteur se déclenche ou si le fusible fond.• Attendez 3 minutes, puis redémarrez, le dispositif de protection peut empêcher l'appareil de fonctionner.• Si les batteries dans la télécommande sont épuisées.• Si la fiche n'est pas insérée correctement.
Arrêt de fonctionnement pendant l'opération	<ul style="list-style-type: none">• Si la température de consigne est proche de la température ambiante, vous pouvez réduire la température de consigne.• L'évent d'air est obstrué par un obstacle. Enlevez cet obstacle.
L'appareil fonctionne mais ne refroidit pas	<ul style="list-style-type: none">• Si la porte ou la fenêtre est ouverte.• Il y aura éventuellement une source de chaleur substantielle à proximité, par exemple l'appareil de chauffage, la fenêtre ouverte et la fenêtre latérale au soleil etc.• Le filtre à air est sale, veuillez le laver.• L'évent d'air ou l'entrée d'air est obstruée.• La température de consigne est trop élevée.
L'appareil ne fonctionne pas et l'indicateur d'eau pleine est allumé	<ul style="list-style-type: none">• Videz l'eau dans le récipient préparé à l'aide d'un tuyau de drainage à l'arrière du panneau de l'appareil. Si cela ne fonctionne toujours pas, consultez un technicien qualifié.
Ecran LED "E1 "	<ul style="list-style-type: none">• Erreur du capteur de température, consultez un technicien qualifié s.v.p.
Ecran LED "E2 "	<ul style="list-style-type: none">• Erreur du capteur de bobine, consulter un technicien qualifié s.v.p.

ENTRETIEN ET MAINTENANCE

MAINTENANCE DE L'APPAREIL

1. Coupez l'alimentation électrique.

Éteignez l'appareil d'abord avant de le débrancher



2. Essuyez avec un chiffon doux et sec. Si l'appareil est sale, utilisez un détergent doux et un chiffon humide.



3. N'utilisez jamais de substances volatiles ou inflammables comme de l'essence ou de la poudre à polir pour nettoyer l'équipement.



4. Ne renversez jamais d'eau sur la machine hôte.

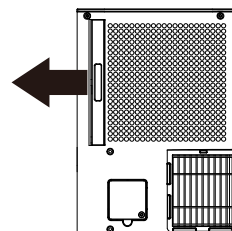


MAINTENANCE DU FILTRE A AIR

Il est nécessaire de nettoyer le filtre à air après l'avoir utilisé pendant environ 100 heures. Nettoyez-le comme suit:

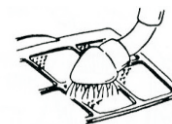
1. Arrêtez l'appareil et retirez le filtre à air.

Arrêtez l'appareil d'abord et retirez ensuite le filtre à air.



2. Nettoyez et réinstallez le filtre à air

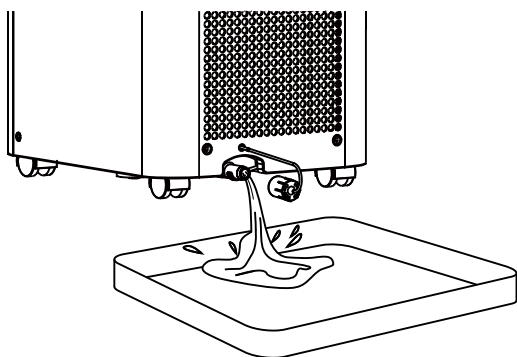
Si la saleté est évidente, laver avec une solution détergente dans de l'eau tiède. Une fois nettoyé, laissez-le sécher dans un endroit frais et réinstallez-le...



3. Si le climatiseur fonctionne dans un environnement poussiéreux, nettoyez le filtre à air toutes les deux semaines.

MAINTENANCE APRES L'UTILISATION

1. Si l'appareil ne sera pas utilisé pendant une longue période, assurez-vous que la fiche en caoutchouc a été retiré du port de drainage en bas, afin de drainer l'eau.



2. Faites fonctionner l'appareil uniquement en mode ventilateur plusieurs heures avant la conservation afin de sécher l'humidité sur les bobines pour prévenir la moisissure.
3. Arrêtez l'appareil et retirez sur la fiche d'alimentation, puis prenez les batteries de la télécommande et les gardez dans un endroit sûr.
4. Nettoyez le filtre à air et le réinstallez.
5. Enlevez les tuyaux d'air et les conservez dans un endroit sûr, en couvrant fermement le couvercle.

GARANTIE

GARANTIE LIMITEE SUR L'APPAREIL PORTATIF

Ce produit est garanti exempt de défauts de matériaux et de fabrication du fabricant, à condition que l'appareil ait été utilisé dans les conditions normales de fonctionnement prévues par le fabricant.

Cette garantie ne s'applique qu'à la personne à qui le fabricant ou le distributeur agréé du fabricant a vendu l'appareil à l'origine et n'est pas transférable.

TERMES DE LA GARANTIE

La garantie sur les pièces en plastique est de trente (30) jours à compter de la date d'achat, sans prolongation.

Les premiers 24 mois:

Pendant les premiers vingt-quatre(24) mois, toutes les pièces fonctionnelles du présent produit jugées défectueuses, devront être réparées ou remplacées, au choix du garant, l'acheteur ne prend charge d'aucun frais. Veuillez conserver votre reçu d'achat comme preuve de garantie pour la date d'achat.

Voir les informations de contact en-dessous pour obtenir un service:

Tél: 888-984-2766

Email: contactus@aerichome.com

OU RETOURNEZ AU MAGASIN OU L'ACHETE POUR LE REMPLACEMENT.

EXCLUSIONS

Il n'existe aucune autre garantie, condition, représentation ou garantie, expresse ou implicite, de la part du fabricant ou de son distributeur autorisé, autre que celles fournies par le fabricant. Toute représentation ou garantie en vertu de la loi sur la vente de marchandises ou de lois ou règlements similaires est expressément exclue par les présentes. Sauf dans les cas prévus aux présentes, le fabricant n'est pas responsable des dommages corporels ou matériels, y compris

L'appareil soi-même, indépendamment de tout dommage indirect résultant de la défaillance de l'appareil et de l'achat de l'appareil, l'acheteur accepte par les présentes d'indemniser le fabricant contre tout dommage aux personnes ou aux biens causé par l'appareil.

Étant donné que certains États n'autorisent pas la limitation ou l'exclusion des dommages accessoires ou indirects, ou la limitation des garanties implicites, les limitations et exclusions ci-dessus peuvent ne pas s'appliquer à vous. Cette garantie vous donne des droits légaux spécifiques et vous pouvez avoir d'autres droits qui diffèrent d'un État.

DISPOSITIONS GENERALES

Aucune garantie ou assurance contenue ou spécifiée dans le présent contrat ne s'applique lorsque des dommages ou des réparations sont causés par l'une des causes suivantes:

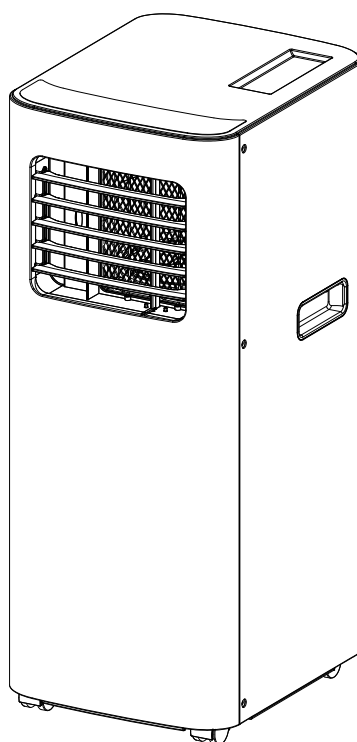
- 1) Panne de la puissance.
- 2) Dommages pendant le transport ou lors de la manutention de l'appareil.
- 3) Alimentation incorrecte, comme une tension faible, un câblage défectueux dans la maison ou un fusible inadéquat.
- 4) Accidents, altérations, abus ou mauvaise utilisation de l'équipement, tels qu'une circulation insuffisante de l'air dans la chambre ou les conditions de fonctionnement anormal (température de la chambre extrêmement élevée ou basse).
- 5) Utilisé à des fins commerciales ou industrielles (par exemple. Si les appareils ne sont pas installés dans la maison familiale).
- 6) Incendies, dégâts d'eau, vols, guerres, émeutes, hostilités, ouragans, inondations et autres catastrophes naturelles.
- 7) Les appels de service mènent à l'éducation des clients.

AERIC LLC
Ramsey New Jersey 07446
États - Unis

AERIC

AIRE ACONDICIONADO PORTÁTIL

MANUAL DEL USUARIO



Modelo: AERP051AW

ÍNDICE

INTRODUCCIÓN IMPORTANTE DE SEGURIDAD..1-10	SOLUCIÓN DE PROBLEMA..... 17
IDENTIFICACIÓN DE LAS PARTES 11	CUIDADO Y MANTENIMIENTO 18
OPERACIÓN12-14	GARANTÍA..... 19
INSTRUCCIONES DE INSTALACIÓN15-16	





Por favor, lea este manual atentamente antes de usar el aparato.

INTRODUCCIÓN IMPORTANTE DE SEGURIDAD


















LEA ESTE MANUAL

En el manual, encontrará muchos consejos útiles sobre cómo utilizar y mantener correctamente su aire acondicionado. Un pequeño cuidado preventivo por su parte puede ahorrarle mucho tiempo y dinero a lo largo de la vida de su aire acondicionado. Encontrará muchas respuestas a problemas comunes en la tabla de consejos para la solución de problemas. Si revisa nuestra tabla de solución de problemas. Consejos en primer lugar, puede que no tenga que llamar al servicio en absoluto.

Para evitar lesiones al usuario u otras personas y daños a la propiedad, se deben seguir las siguientes instrucciones. El funcionamiento incorrecto debido a ignorar las instrucciones puede causar daño o daño. La gravedad se clasifica por las siguientes indicaciones.

 ADVERTENCIA	Este símbolo indica la posibilidad de muerte o lesiones graves.		
 PRECAUCIÓN	Este símbolo indica la posibilidad de lesiones o daños a la propiedad.		
	Nunca hacer esto.		Siempre hacer esto.

ADVERTENCIA

<p> Conecte el enchufe correctamente.</p> <ul style="list-style-type: none"> De lo contrario, puede causar descargas eléctricas o fuego debido al exceso de generación de calor. 	<p> No utilice ni detenga la unidad insertando o extrayendo el enchufe de alimentación.</p> <ul style="list-style-type: none"> Puede causar una descarga eléctrica o un incendio debido a la generación de calor. 	<p> No dañe ni use un cable de alimentación no especificado.</p> <ul style="list-style-type: none"> Puede causar descargas eléctricas o fuego. Si el cable de alimentación está dañado, debe ser sustituido por el fabricante, un centro de servicio autorizado o una persona igualmente calificada para evitar un peligro.
<p> Instale siempre un disyuntor y un circuito de alimentación dedicado.</p> <ul style="list-style-type: none"> Una instalación incorrecta puede provocar incendios y descargas eléctricas. 	<p> No lo utilice con las manos mojadas o en ambientes húmedos.</p> <ul style="list-style-type: none"> Puede causar una descarga eléctrica. 	<p> No dirija el flujo de aire únicamente a los ocupantes de la habitación.</p> <ul style="list-style-type: none"> Esto podría dañar su salud.
<p> Garantizar siempre una conexión a tierra efectiva</p> <ul style="list-style-type: none"> La conexión a tierra incorrecta puede causar descargas eléctricas. 	<p> Puede causar fallas en la máquina o descargas eléctricas.</p> <ul style="list-style-type: none"> No permita que el agua entre en las partes eléctricas. 	<p> No modifique la longitud del cable de alimentación ni comparta la toma de corriente con otros aparatos.</p> <ul style="list-style-type: none"> Puede causar una descarga eléctrica o un incendio debido a la generación de calor.
<p> Desconecte la unidad si de ella salen sonidos, olores o humo extraños.</p> <ul style="list-style-type: none"> Puede causar incendios y descargas eléctricas. 	<p> No utilice el enchufe si está suelto dañado.</p> <ul style="list-style-type: none"> Puede causar incendios y descargas eléctricas. 	<p> No abra la unidad durante la operación.</p> <ul style="list-style-type: none"> Puede causar una descarga eléctrica.
<p> Mantenga alejadas las armas de fuego.</p> <ul style="list-style-type: none"> Puede causar un incendio. 	<p> No utilice la unidad cerca de los aparatos de calefacción.</p> <ul style="list-style-type: none"> Puede causar incendios y descargas eléctricas. 	<p> No utilice la unidad cerca de sustancias inflamables, contenedores presurizados (por ejemplo, latas de aerosol) o combustibles, como gasolina, benceno, diluyente, etc.</p> <ul style="list-style-type: none"> Puede causar una explosión o un incendio.
<p> Ventile la habitación antes de poner en funcionamiento el aire acondicionado si hay una fuga de gas de otro aparato.</p> <ul style="list-style-type: none"> Puede causar explosiones, incendios y quemaduras. 	<p> No desmonte ni modifique la unidad.</p> <ul style="list-style-type: none"> Puede causar averías y descargas eléctricas. 	

INTRODUCCIÓN IMPORTANTE DE SEGURIDAD

PRECAUCIÓN

<p>⊘ Cuando vaya a retirar el filtro de aire, no toque las piezas metálicas de la unidad.</p>	<p>⊘ No coloque una mascota o una planta de interior donde quede expuesta a una corriente de aire directa</p>	<p>⊘ No utilizar en locales que contengan azufre, gas o aceite.</p>
<ul style="list-style-type: none">• Puede causar lesiones.	<ul style="list-style-type: none">• Esto puede lesionar a la mascota o a la planta.	<ul style="list-style-type: none">• Puede causar una explosión o un incendio.
<p>⊘ No utilice detergentes fuertes, como cera o disolvente, sino un paño suave.</p>	<p>⊘ No limpie el aire acondicionado con agua.</p>	<p>⊘ No lo utilice para fines especiales.</p>
<ul style="list-style-type: none">• La apariencia puede deteriorarse debido al cambio de color del producto o al rayado de su superficie.	<ul style="list-style-type: none">• El agua puede entrar en la unidad y degradar el aislamiento. Puede provocar una descarga eléctrica.	<ul style="list-style-type: none">• No utilice este aire acondicionado para conservar dispositivos de precisión, alimentos, animales domésticos, plantas y objetos de arte. Puede causar deterioro de la calidad, etc.
<p>Ⓜ Detenga el funcionamiento y cierre la ventana en caso de tormenta o huracán.</p>	<p>Ⓜ Cuando vaya a limpiar la unidad, apáguela y desconecte el disyuntor.</p>	
<ul style="list-style-type: none">• El funcionamiento con las ventanas abiertas puede mojar el interior y empapar los muebles de la casa.	<ul style="list-style-type: none">• No limpie la unidad cuando esté encendida, ya que puede causar un incendio y una descarga eléctrica, puede causar una lesión.	
<p>Ⓜ Inserte siempre los filtros de forma segura. Limpie el filtro una vez cada dos semanas.</p>	<p>Ⓜ Sujete el enchufe por la cabeza de la clavija de alimentación al sacarlo.</p>	<p>Ⓜ Apague el interruptor principal cuando no vaya a utilizar la unidad durante mucho tiempo.</p>
<ul style="list-style-type: none">• El funcionamiento sin filtros puede causar fallos.	<ul style="list-style-type: none">• Puede causar descargas eléctricas y daños.	<ul style="list-style-type: none">• Puede causar fallo del producto o incendio.
<p>⊘ No coloque obstáculos alrededor de las entradas de aire o dentro de la salida de aire.</p>	<p>⊘ No coloque objetos pesados sobre el cable de alimentación y asegúrese de que el cable no esté comprimido.</p>	<p>⊘ No beba agua del aire acondicionado.</p>
<ul style="list-style-type: none">• Puede causar un fallo del aparato o un accidente.	<ul style="list-style-type: none">• Existe peligro de incendio o descarga eléctrica.	<ul style="list-style-type: none">• Contiene contaminantes y podría enfermarle.
<p>Ⓜ Tenga cuidado al desembalar e instalar el aparato. Los bordes afilados podrían causar lesiones.</p>	<p>Ⓜ Si entra agua en el aparato, apáguelo en la toma de corriente y desconecte el disyuntor. Aísle la alimentación desenchufando el cable de alimentación y póngase en contacto con un técnico cualificado.</p>	

PRECAUCIÓN

- Este aparato no está diseñado para ser utilizado por personas (incluidos niños) con capacidades físicas, sensoriales o mentales reducidas, o con falta de experiencia y conocimientos, a menos que hayan recibido supervisión o instrucciones sobre el uso del aparato por parte de una persona responsable de su seguridad.
- Los niños deben ser vigilados para evitar que jueguen con el aparato.
- Si el cable de alimentación está dañado, debe ser sustituido por el fabricante, su agente de servicio o personas con cualificación similar para evitar riesgos.
- El aparato debe instalarse de acuerdo con la normativa nacional sobre cableado.
- No haga funcionar el aire acondicionado en una habitación húmeda, como un cuarto de baño o un lavadero.
- El aparato con calefactor eléctrico debe tener un espacio mínimo de 2 pies (60 cm) con respecto a los materiales combustibles.
- Póngase en contacto con el servicio técnico autorizado para la reparación o el mantenimiento de esta unidad.

INTRODUCCIÓN IMPORTANTE DE SEGURIDAD

NOTA

El cable de alimentación de este aire acondicionado contiene un dispositivo de detección de corriente diseñado para reducir el riesgo de incendio.

Por favor, consulte la sección Funcionamiento del Dispositivo de Corriente para más detalles. En caso de que el cable de alimentación esté dañado, no podrá repararse y deberá sustituirse por un cable del fabricante del producto.

ADVERTENCIA

Evite el riesgo de incendio o descarga eléctrica. No utilice alargadores ni adaptadores. No retire ninguna clavija del cable de alimentación.

Toma de corriente mural con conexión a tierra



Cable de alimentación con enchufe de 3 clavijas con toma de tierra y dispositivo de detección de corriente

ADVERTENCIA

Para Su Seguridad

No almacene ni utilice gasolina u otros vapores y líquidos inflamables cerca de este o cualquier otro aparato.

ADVERTENCIA

Prevenir Accidentes

Para reducir el riesgo de incendio, descarga eléctrica o lesiones a las personas cuando utilice su aire acondicionado, siga las precauciones básicas, incluyendo las siguientes:

- Asegúrese de que el servicio eléctrico es adecuado para el modelo que ha elegido. Esta información se puede encontrar en la placa de serie, que se encuentra en la parte posterior del armario.
- Asegúrese de que el aire acondicionado ha sido instalado de forma segura y correcta de acuerdo con las instrucciones de instalación de este manual. Guarde este manual para un posible uso futuro en el desmontaje o instalación de esta unidad.
- Cuando manipule el aire acondicionado, tenga cuidado de evitar cortes con las aletas metálicas afiladas de las bobinas delantera y trasera.

ADVERTENCIA

Información Eléctrica

La clasificación eléctrica completa de su nuevo aire acondicionado portátil está indicada en la placa de serie. Consulte la clasificación cuando compruebe los requisitos eléctricos.

- Asegúrese de que el aire acondicionado esté bien conectado a tierra. Para minimizar los riesgos de descarga eléctrica e incendio, es importante una correcta conexión a tierra. El cable de alimentación está equipado con un enchufe de conexión a tierra de tres clavijas para protegerlo contra descargas eléctricas.
- Su aire acondicionado debe utilizarse en un receptáculo de pared debidamente conectado a tierra. Si el receptáculo de pared que usted piensa utilizar no está adecuadamente conectado a tierra o protegido por un fusible de retardo de tiempo o disyuntor, haga que un electricista calificado instale el receptáculo apropiado. Asegúrese de que el receptáculo sea accesible después de la instalación de la unidad.
- No haga funcionar el aire acondicionado sin instalar la manguera de escape y el panel de la ventana en su lugar. Esto podría provocar daños mecánicos en el aire acondicionado.
- **No utilice un cable de extensión o un enchufe adaptador.**

INTRODUCCIÓN IMPORTANTE DE SEGURIDAD

ADVERTENCIA

- Todo el cableado debe cumplir con los códigos eléctricos locales y nacionales y debe ser instalado por un electricista cualificado, Si tiene alguna duda sobre las siguientes instrucciones, póngase en contacto con un electricista cualificado.
- Compruebe el suministro eléctrico disponible y resuelva cualquier problema de cableado antes de instalar y poner en funcionamiento esta unidad.
- Instale y utilice este aparato únicamente como se indica en este manual de instrucciones. Tenga cuidado en todo momento al utilizar este aparato.
- El aparato debe instalarse de acuerdo con la normativa nacional sobre cableado.
- El aparato debe transportarse en posición vertical o de lado. El agua del circuito interno debe vaciarse antes de trasladarlo. No encienda el aparato durante al menos una hora antes de ponerlo en marcha.
- No guarde nada encima del aparato, especialmente objetos pesados o calientes.
- No guarde el aparato cubierto con bolsas de plástico.
- Por favor, siga las regulaciones y directrices para la correcta eliminación de los envases, así como los dispositivos eléctricos en su área. Consulte a las autoridades locales o a su distribuidor para conocer las opciones de reciclaje.
- No coloque el aparato delante de cortinas o visillos por si caen contra la entrada de aire posterior.
- Este aparato es sólo para uso doméstico.

ADVERTENCIA

- No moje la carcasa ni el panel de control.
- No cubra la salida de aire mientras esté en uso.
- No coloque objetos ni permita que ninguna persona se sienta encima de la unidad.
- No intente desmontar ninguna pieza de la carcasa a menos que lo haga un técnico autorizado.
- Desconecte el enchufe de la toma de corriente si no va a utilizar el aparato durante un periodo prolongado.
- Utilice únicamente la fuente de alimentación adecuada AC 115V~60Hz.

ESPECIFICACIONES

Las cifras indicadas en el contenido son sólo de referencia; pueden producirse variaciones debido a la aplicación en diferentes países o regiones, y se basarán en el mejor funcionamiento práctico.

Voltaje / Frecuencia	AC 115V~60Hz
Tipo de Refrigerante	R32
Temperatura/ Humidad de Trabajo	61°F-95°F/30%- 80%RH

NOTA

Diagrama de cableado fijado en el interior del panel trasero

NOTA

Los residuos de productos eléctricos no deben desecharse con la basura doméstica. Consulte a las autoridades locales o a su distribuidor para obtener información sobre reciclaje.



INTRODUCCIÓN IMPORTANTE DE SEGURIDAD





ADVERTENCIA (SÓLO PARA EL USO DE REFRIGERANTE R32)

- LEA ATENTAMENTE EL MANUAL ANTES DE UTILIZAR EL APARATO.
- El estancamiento de posibles fugas de gas refrigerante en habitaciones sin ventilación podría provocar un incendio o un riesgo de explosión en caso de que el refrigerante entrara en contacto con calentadores eléctricos, estufas u otras fuentes de ignición.
- Tenga cuidado al almacenar el aparato para evitar averías mecánicas.
- Sólo las personas autorizadas por un organismo acreditado que certifique su competencia para manipular refrigerantes de conformidad con la legislación del sector deben trabajar en circuitos refrigerantes.
- No utilice medios para acelerar el proceso de descongelación o para limpiar, distintos de los recomendados por el fabricante.
- El aparato debe almacenarse en una habitación sin fuentes de ignición en funcionamiento continuo (por ejemplo: llamas abiertas, un aparato de gas en funcionamiento) y fuentes de ignición o (por ejemplo: un calentador eléctrico en funcionamiento) cerca del aparato.
- No perforar ni quemar.
- Tenga en cuenta que los refrigerantes pueden no contener olor.
- Deberá respetarse la normativa nacional sobre gases.
- Mantenga las aberturas de ventilación libres de obstrucciones.
- El aparato debe almacenarse de forma que no se produzcan daños mecánicos.
- Advertencia de que el aparato debe almacenarse en una zona bien ventilada en la que el tamaño de la sala se corresponda con el área de la sala especificada para el funcionamiento.
- Toda persona que trabaje en o acceder a un circuito de refrigerante deberá estar en posesión de un certificado válido de una autoridad de evaluación acreditada por la industria, que autorice su competencia para manipular refrigerantes de forma segura de acuerdo con una especificación de evaluación reconocida por la industria.
- El mantenimiento sólo se realizará según las recomendaciones del fabricante del equipo.
- El mantenimiento y las reparaciones que requieran la asistencia de otro personal cualificado se realizarán bajo la supervisión de la persona competente en el uso de refrigerantes inflamables.
- NO modifique la longitud del cable de alimentación ni utilice un cable de extensión para alimentar la unidad.
- NO comparta una sola toma de corriente con otros aparatos eléctricos. Una fuente de alimentación inadecuada puede causar incendios o descargas eléctricas.
- Por favor, siga las instrucciones cuidadosamente para manejar, instalar, limpiar o servicio el aire acondicionado para evitar cualquier daño o peligro. El refrigerante inflamable R32 se utiliza dentro del aire acondicionado. Al mantener o eliminar el aire acondicionado, el refrigerante (R32) se recuperará adecuadamente y no se descargará al aire.
- No habrá fuego abierto ni dispositivo que pueda generar chispa/arco alrededor del aire acondicionado para evitar provocar la ignición del refrigerante inflamable utilizado. Siga las instrucciones cuidadosamente para almacenar o mantener el aire acondicionado para evitar daños mecánicos.
- El refrigerante inflamable R32 se utiliza en el aire acondicionado. Por favor, siga las instrucciones cuidadosamente para evitar cualquier peligro.



INTRODUCCIÓN IMPORTANTE DE SEGURIDAD

Explicación de los símbolos que aparecen en la unidad (sólo para unidades con refrigerante R32)

	Advertencia	Este símbolo muestra que este aparato utilizó un refrigerante inflamable. Si el refrigerante se filtra y se expone a una fuente de ignición externa, existe un riesgo de incendio.
	Precaución	Este símbolo muestra que el manual de instrucciones debe leerse cuidadosamente.
	Precaución	Este símbolo muestra que un personal de servicio debe manejar este equipo con referencia al manual de instalación.
	Precaución	Este símbolo muestra que hay información disponible, como el manual de operación o el manual de instalación.

ADVERTENCIA (SÓLO PARA EL USO DE REFRIGERANTE R32)

- Transporte de equipos que contengan refrigerantes inflamables
Véanse las normas de transporte.
- Marcado de equipos mediante señalización
Véase las normas locales.
- Eliminación de equipos que utilizan refrigerantes inflamables
Véase las normas nacionales.
- Almacenamiento de equipos/aparatos
El almacenamiento del equipo debe ajustarse a las instrucciones del fabricante.
- Almacenamiento de equipos embalados (no vendidos)
La protección del paquete de almacenamiento debe construirse de tal manera que el daño mecánico al equipo dentro del paquete no cause una fuga de la carga del refrigerante. Las normas locales determinarán el número máximo de piezas de equipo que podrán almacenarse juntas.
- Información sobre servicios
 - Controles en la zona: Antes de empezar a trabajar en sistemas que contengan refrigerantes inflamables, es necesario realizar controles de seguridad para garantizar que el riesgo de ignición se reduce al mínimo. Para la reparación del sistema de refrigeración, deberán respetarse las siguientes precauciones antes de realizar el trabajo en el sistema.
 - Procedimiento de trabajo: El trabajo se llevará a cabo bajo un procedimiento controlado para minimizar el riesgo de que un gas o vapor inflamable esté presente mientras se realiza el trabajo.
 - Área de trabajo general: Todo el personal de mantenimiento y demás personal que trabaje en el área local serán instruidos sobre la naturaleza del trabajo que se está realizando. Deberá evitarse el trabajo en espacios reducidos. La zona que rodea el espacio de trabajo se seccionará. Asegurarse de que las condiciones en la zona se han hecho seguras mediante el control de material inflamable.
 - Comprobación de la presencia de refrigerante: La zona se comprobará con un detector de refrigerante adecuado antes y durante el trabajo, para asegurarse de que el técnico es consciente de atmósferas potencialmente inflamables. Asegúrese de que el equipo de detección de fugas que se utiliza es adecuado para su uso con refrigerantes inflamables, es decir, no

INTRODUCCIÓN IMPORTANTE DE SEGURIDAD

estacionados. Adecuadamente sellados o intrínsecamente seguros.

- e) Presencia de extintor de incendios: Si se va a realizar algún trabajo en caliente en el equipo de refrigeración o en cualquier parte asociada, deberá disponerse a mano del equipo de extinción de incendios adecuado. Tenga un extintor de polvo seco o CO₂ adyacente al área de carga.
- f) Ninguna persona que realice trabajos en relación con un sistema de refrigeración que implique la exposición de una tubería que contenga o haya contenido refrigerante inflamable utilizará fuentes de ignición de tal manera que pueda conducir al riesgo de incendio o explosión. Todas las posibles fuentes de ignición, incluido el ahumado de cigarrillos, deben mantenerse lo suficientemente lejos del lugar de instalación, reparación, extracción y eliminación, durante el cual el refrigerante inflamable puede ser liberado al espacio circundante. Antes de que se lleven a cabo los trabajos, se debe inspeccionar el área alrededor del equipo para asegurarse de que no haya peligros inflamables o riesgos de ignición. No se mostrarán señales de tabaquismo.
- g) Área ventilada: Asegúrese de que el área esté abierta o que esté adecuadamente ventilada antes de entrar al sistema o realizar cualquier trabajo en caliente. Un grado de ventilación continuará durante el período en que se realice el trabajo. La ventilación debe dispersar con seguridad cualquier refrigerante liberado y preferiblemente expulsarlo externamente a la atmósfera.
- h) Controles del equipo de refrigeración: Cuando se cambien componentes eléctricos, estos deberán ser adecuados para el propósito y la especificación correcta. Se seguirán en todo momento las directrices de mantenimiento y servicio del fabricante. En caso de duda, consulte al departamento técnico del fabricante para obtener asistencia. Se efectuarán los siguientes controles en las instalaciones que utilicen refrigerantes

inflamables:

- El tamaño de la carga está de acuerdo con el tamaño de la habitación en la que se instalan las piezas que contienen refrigerante;
 - Las máquinas y salidas de ventilación funcionan adecuadamente y no están obstruidas;
 - Si se utiliza un circuito de refrigeración indirecto, se comprobará la presencia de refrigerante en el circuito secundario;
 - La señalización del equipo sigue siendo visible y legible. Se corregirán las marcas y señales que sean ilegibles;
 - Las tuberías o componentes frigoríficos están instalados en una posición en la que es improbable que queden expuestos a cualquier sustancia que pueda corroer los componentes que contienen refrigerante, a menos que los componentes estén construidos con materiales intrínsecamente resistentes a la corrosión o estén convenientemente protegidos contra dicha corrosión.
- i) Comprobaciones de los dispositivos eléctricos: La reparación y el mantenimiento de los componentes eléctricos incluirán comprobaciones iniciales de seguridad y procedimientos de inspección de los componentes. Si existe un fallo que pueda comprometer la seguridad, no se conectará ningún suministro eléctrico al circuito hasta que se haya solucionado satisfactoriamente. Si el fallo no puede corregirse inmediatamente, pero es necesario continuar el funcionamiento, se utilizará una solución temporal adecuada. Esto se comunicará al propietario del equipo para que todas las partes estén informadas. Las comprobaciones iniciales de seguridad incluirán:
- Que los condensadores están descargados: esto se hará de forma segura para evitar la posibilidad de chispas;

INTRODUCCIÓN IMPORTANTE DE SEGURIDAD

- Que no queden expuestos componentes eléctricos y cableado bajo tensión mientras se carga, recupera o purga el sistema;
- Que haya continuidad de la conexión a tierra.

7. Reparaciones de componentes sellados

- a) Durante las reparaciones de componentes sellados, se desconectarán todos los suministros eléctricos del equipo en el que se esté trabajando antes de retirar las cubiertas selladas, etc. Si es absolutamente necesario mantener el suministro eléctrico del equipo durante el mantenimiento, se colocará un dispositivo de detección de fugas de funcionamiento permanente en el punto más crítico para advertir de una situación potencialmente peligrosa.
- b) Se prestará especial atención a lo siguiente para garantizar que, al trabajar en componentes eléctricos, no se altere la carcasa de tal forma que se vea afectado el nivel de protección. Esto incluirá daños en los cables, número excesivo de conexiones, terminales que no se ajusten a las especificaciones originales, daños en las juntas, montaje incorrecto de prensaestopas, etc.
 - Asegúrese de que el aparato está montado de forma segura.
 - Asegúrese de que las juntas o los materiales de sellado no se hayan degradado hasta el punto de que ya no sirvan para impedir la entrada de atmósferas inflamables. Las piezas de recambio deberán ajustarse a las especificaciones del fabricante.

▲ NOTA: El uso de sellante de silicona puede inhibir la eficacia de algunos tipos de equipos de detección de fugas, no es necesario aislar los componentes intrínsecamente seguros antes de trabajar en ellos.

8. Reparación de componentes intrínsecamente seguros

No aplique ninguna carga inductiva o capacitiva permanente al circuito sin asegurarse de que no superará la tensión y la corriente permitidas para el equipo en uso.

Los componentes intrínsecamente seguros son los únicos en los que se puede trabajar bajo tensión en presencia de una atmósfera inflamable. El aparato de prueba deberá tener la capacidad nominal correcta.

Sustituya los componentes únicamente por piezas especificadas por el fabricante. Otras piezas pueden provocar la ignición del refrigerante en la atmósfera a causa de una fuga.

9. Cableado

Se comprobará que el cableado no estará sometido a desgaste, corrosión, presión excesiva, vibraciones, bordes afilados o cualquier otro efecto ambiental adverso. La comprobación también tendrá en cuenta los efectos del envejecimiento o la vibración continua de fuentes como compresores o ventiladores.

10. Detección de refrigerantes inflamables

En ningún caso se utilizarán fuentes potenciales de ignición en la búsqueda o detección de fugas de refrigerante. No se utilizará un soplete de halogenuros (o cualquier otro detector que utilice una llama desnuda).

11. Métodos de detección de fugas

Los siguientes métodos de detección de fugas se consideran aceptables para los sistemas que contengan refrigerantes inflamables. Se utilizarán detectores electrónicos de fugas para detectar refrigerantes inflamables, pero es posible que la sensibilidad no sea la adecuada o que sea necesario recalibrarlos. (El equipo de detección se calibrará en una zona libre de refrigerantes.) Asegúrese de que el detector no sea una fuente potencial de ignición y sea adecuado para el refrigerante utilizado.

El equipo de detección de fugas se ajustará a un porcentaje del LFL del refrigerante y se calibrará para el refrigerante empleado y se confirmará el porcentaje adecuado de gas (25 % como máximo). Los fluidos de detección de fugas son adecuados para la mayoría de los refrigerantes,

INTRODUCCIÓN IMPORTANTE DE SEGURIDAD

pero debe evitarse el uso de detergentes que contengan cloro, ya que éste puede reaccionar con el refrigerante y corroer las tuberías de cobre. Si se sospecha que hay una fuga, se deben retirar/extinguir todas las llamas. Si se detecta una fuga de refrigerante que requiera soldadura, se recuperará todo el refrigerante del sistema o se aislará (mediante válvulas de cierre) en una parte del sistema alejada de la fuga. A continuación, se purgará nitrógeno libre de oxígeno (OFN) a través del sistema tanto antes como durante el proceso de soldadura fuerte.

12. Extracción y evacuación

Al irrumpir en el circuito de refrigerante para efectuar reparaciones o para cualquier otro fin, se utilizarán los procedimientos convencionales. Sin embargo, es importante que se sigan las mejores prácticas, ya que la inflamabilidad es un factor a tener en cuenta. La apertura de los sistemas de refrigeración no se realizará mediante soldadura fuerte. Se seguirá el siguiente procedimiento:

- Eliminar el refrigerante;
- Purgar el circuito con gas inerte;
- Evacuar;
- Purgar de nuevo con gas inerte;
- Abrir el circuito cortando o soldando.

La carga de refrigerante se recuperará en los cilindros de recuperación correctos. El sistema se purgará con OFN para que la unidad sea segura. Puede ser necesario repetir este proceso varias veces. No se utilizará aire comprimido ni oxígeno para esta tarea.

El lavado se logrará rompiendo el vacío en el sistema con OFN y continuando el llenado hasta que se alcance la presión de trabajo, luego ventilando a la atmósfera, y finalmente bajando al vacío. Este proceso se repetirá hasta que no quede refrigerante en el sistema. Cuando se haya utilizado la carga final de OFN, el sistema se purgará hasta alcanzar la presión atmosférica para permitir el trabajo. Esta operación es absolutamente vital si se van a realizar operaciones de soldadura en las tuberías.

Asegúrese de que la salida de la bomba de vacío

no esté cerca de ninguna fuente de ignición y de que haya ventilación disponible.

13. Procedimientos de carga

Además de los procedimientos de carga convencionales, deberán seguirse los siguientes requisitos.

- Asegúrese de que no se produce contaminación de los distintos refrigerantes al utilizar el equipo de carga. Las mangueras o líneas deberán ser lo más cortas posible para minimizar la cantidad de refrigerante que contienen.
- Las botellas deben mantenerse en posición vertical.
- Asegúrese de que el sistema de refrigeración está conectado a tierra antes de cargarlo con refrigerante.
- Etiquete el sistema cuando la carga esté completa (si no lo está ya).
- Extreme las precauciones para no sobrecargar el sistema de refrigeración.
- Antes de recargar el sistema, se comprobará la presión con OFN. El sistema se someterá a una prueba de estanqueidad una vez finalizada la carga, pero antes de la puesta en servicio. Se realizará una prueba de fugas de seguimiento antes de abandonar el emplazamiento.

14. Puesta fuera de servicio

Antes de llevar a cabo este procedimiento, es esencial que el técnico esté completamente familiarizado con el equipo y todos sus detalles.

Se recomienda como buena práctica que todos los refrigerantes se recuperen de forma segura. Antes de realizar la tarea, se tomará una muestra de aceite y refrigerante por si fuera necesario realizar un análisis antes de reutilizar el refrigerante recuperado. Es esencial que se disponga de energía eléctrica antes de comenzar la tarea.

- a) Familiarizarse con el equipo y su funcionamiento.

INTRODUCCIÓN IMPORTANTE DE SEGURIDAD

- b) Aislar eléctricamente el sistema.
- c) Antes de iniciar el procedimiento, asegúrese de que: El equipo de manipulación mecánica antes de iniciar el procedimiento, asegúrese de que: se dispone del equipo de manipulación mecánica necesario para manipular los cilindros de refrigerante; se dispone de todo el equipo de protección personal y se utiliza correctamente; el proceso de recuperación está supervisado en todo momento por una persona competente; el equipo de recuperación y los cilindros cumplen las normas adecuadas.
- d) Bombear el sistema de refrigerante, si es posible.
- e) Si no es posible hacer el vacío, hacer un colector para poder extraer el refrigerante de las distintas partes del sistema.
- f) Asegurarse de que la botella está situada en la báscula antes de proceder a la recuperación.
- g) Ponga en marcha la máquina de recuperación y hágala funcionar de acuerdo con las instrucciones del fabricante.
- h) No sobrellenar los cilindros. (No más del 80 % de volumen de carga líquida).
- i) No superar la presión máxima de trabajo de la botella, ni siquiera temporalmente.
- j) Una vez llenados correctamente los cilindros y finalizado el proceso, asegúrese de que los cilindros y el equipo sean retirados rápidamente del lugar y se cierren todas las válvulas de aislamiento del equipo.
- k) El refrigerante recuperado no se cargará en otro sistema de refrigeración a menos que se haya limpiado y comprobado.

15. Etiquetado

El equipo se etiquetará indicando que ha sido puesto fuera de servicio y vaciado de refrigerante. La etiqueta deberá estar fechada y firmada. Asegúrese de que haya etiquetas en el equipo que indiquen que el equipo contiene refrigerante inflamable.

16. Recuperación

Al retirar el refrigerante de un sistema, ya sea para su mantenimiento o para su puesta fuera de servicio, se recomienda como buena práctica que todos los refrigerantes se retiren de forma segura.

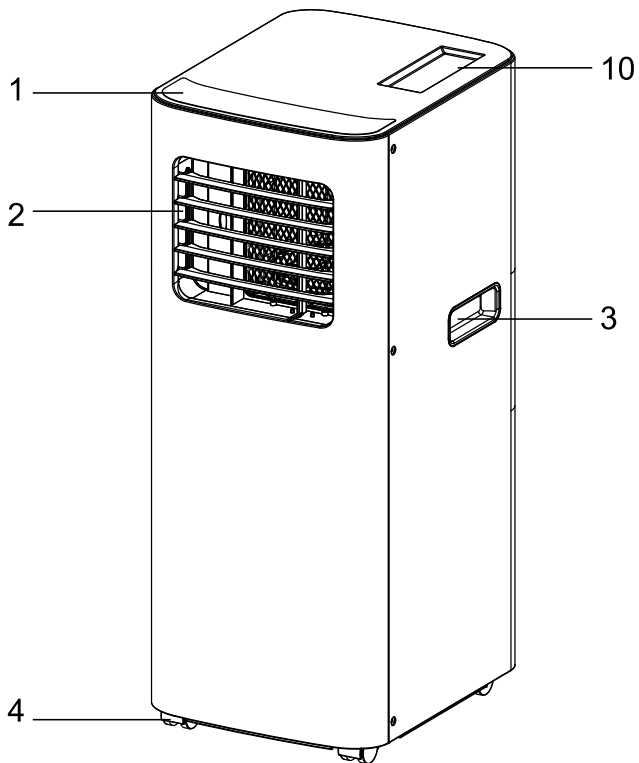
Al trasvasar refrigerante a botellas, asegúrese de que sólo se emplean botellas de recuperación de refrigerante adecuadas. Asegúrese de que se dispone del número correcto de botellas para la carga total del sistema. Todos los cilindros que se utilicen estén designados para el refrigerante recuperado y etiquetados para ese refrigerante (es decir, cilindros especiales para la recuperación de refrigerante). Los cilindros estarán completos con válvula de alivio de presión y válvulas de cierre asociadas en buen estado de funcionamiento.

El equipo de recuperación deberá estar en buen estado de funcionamiento, con un conjunto de instrucciones relativas al equipo que se tiene a mano y deberá ser adecuado para la recuperación de refrigerantes inflamables. Además, se dispondrá de un juego de balanzas calibradas en buen estado de funcionamiento. Las mangueras deberán estar completas con acoplamientos de desconexión sin fugas y en buen estado. Antes de utilizar la máquina de recuperación, compruebe que funciona correctamente, que se ha mantenido adecuadamente y que todos los componentes eléctricos asociados están sellados para evitar la ignición en caso de fuga de refrigerante. En caso de duda, consulte al fabricante.

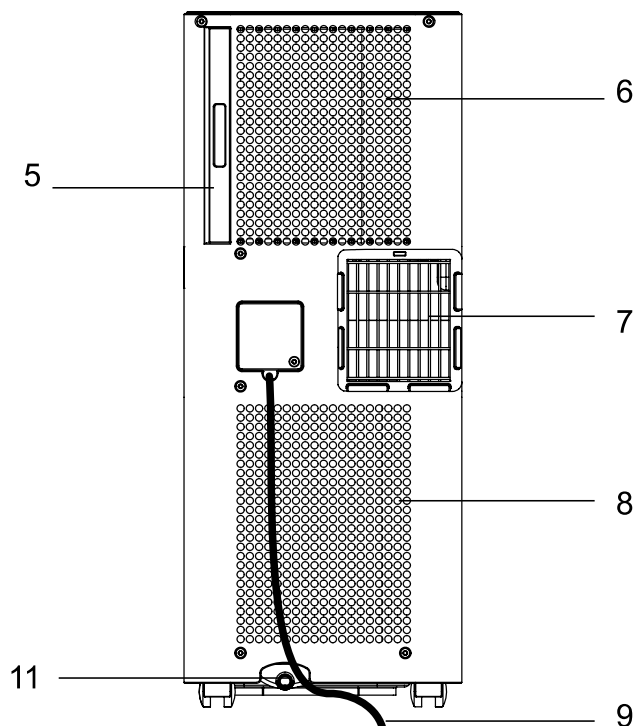
El refrigerante recuperado deberá devolverse al proveedor de refrigerantes en el cilindro de recuperación correcto, y deberá tramitarse la correspondiente Nota de Transferencia de Residuos. No mezcle refrigerantes en las unidades de recuperación y especialmente en los cilindros.

Si se van a retirar compresores o aceites de compresores, asegúrese de que han sido evacuados hasta un nivel aceptable para asegurarse de que no queda refrigerante inflamable dentro del lubricante. El proceso de evacuación se llevará a cabo antes de devolver el compresor a los proveedores. Para acelerar este proceso sólo se empleará el calentamiento eléctrico del cuerpo del compresor. Cuando se vacíe el aceite de un sistema, se hará de forma segura.

IDENTIFICACIÓN DE LAS PIEZAS



1. Panel de control
2. Salida de aire
3. Orificio del asa
4. Rueda
5. Filtro de aire
6. Toma de aire (Evaporador)
7. Salida de aire (Intercambiador de calor)
8. Entrada de aire (Condensador)
9. Cable de alimentación
10. Lugar de almacenamiento del mando a distancia
11. Drenaje de salida de agua

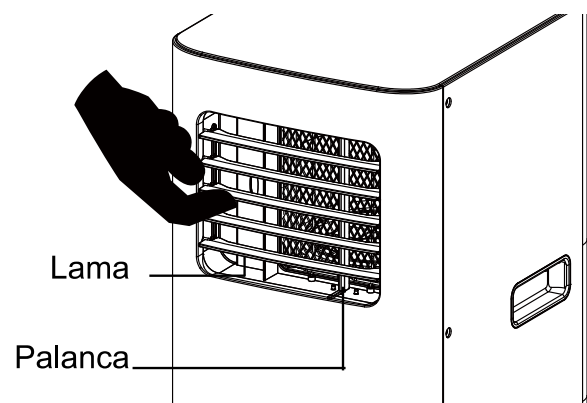


📌 NOTA

Nota : Por favor, asegúrese de que el desagüe de salida de agua está bien instalado antes de su uso.

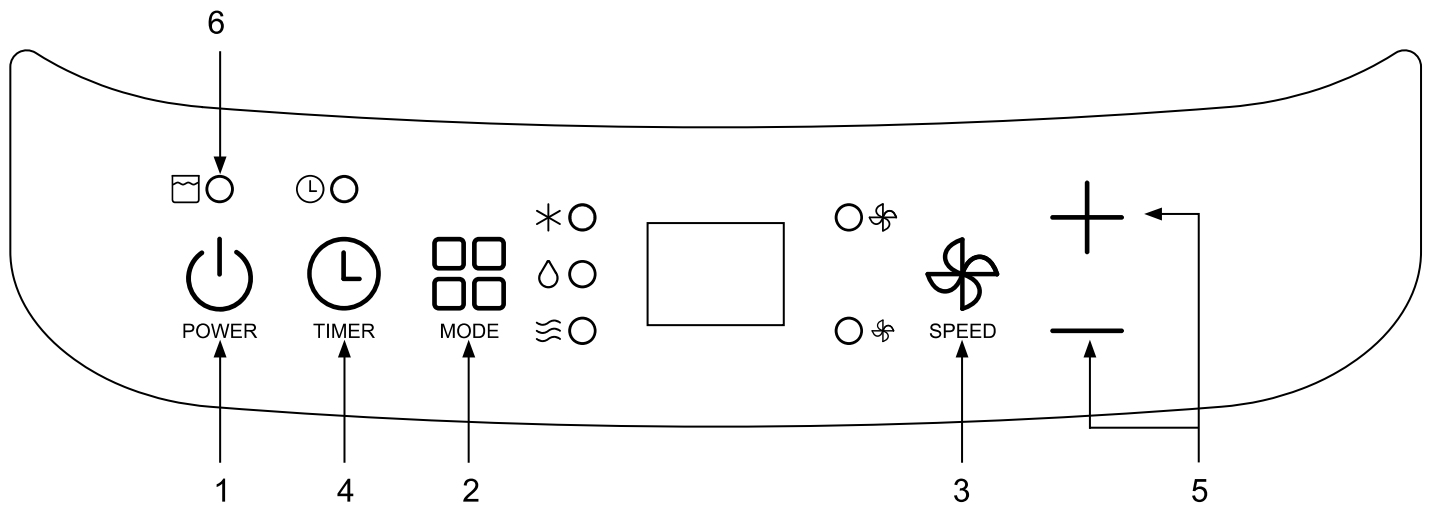
📌 NOTA

- Por favor, abra la salida de aire hasta la posición deseada dándole la vuelta a la lama y la palanca.
- La lama tiene que abrirse si el aparato está ENCENDIDO.



OPERACIÓN

PANEL DE CONTROL



1. Control de potencia
2. Control de modo
3. Control de velocidad de ventilador
4. Temporizador
5. Control de ajuste de temporizador/temperatura
6. Luz de depósito lleno

CONTROL DE POTENCIA

El control de encendido enciende y apaga la unidad.

CONTROL DE MODO

Ajustes: • Frío • Deshumidificar • Ventilador

Las configuraciones se ajustan con el botón de Control de Modo. Una luz indicará qué ajuste se está utilizando actualmente.

• MODO FRÍO

Durante el modo de refrigeración el aire se enfría y el aire caliente se expulsa al aire exterior a través del tubo de escape. Ajuste la velocidad del ventilador de aire a través de la temperatura para adaptarse a su nivel de confort deseado. El rango de ajuste de temperatura es de 61 °F - 89°F.

Nota: Las mangueras de intercambio de aire deben ventilar fuera de la habitación cuando se utiliza el modo frío.

• MODO DESHUMIDIFICACIÓN

El aire se deshumidifica a medida que pasa a través de la unidad, sin estar en modo de refrigeración completa. Si la temperatura ambiente es superior a 77 °F, la velocidad del ventilador puede ajustarse; de lo contrario, la velocidad del ventilador se fija en "baja".

Nota: Si la unidad se va a utilizar como deshumidificador, no conecte la manguera de escape, deje que el aire caliente vuelva a la habitación. Entonces será necesario un drenaje continuo.

• MODO VENTILADOR

El aire circula por la habitación sin refrigeración.

Nota: no es necesario ventilar la unidad en modo Ventilador.

OPERACIÓN

CONTROL DE VELOCIDAD DEL VENTILADOR

El Control de Velocidad del Ventilador tiene 2 ajustes: Alta y Baja.

TEMPORIZADOR

Apagado automático:

Con la máquina en funcionamiento, pulse el botón del temporizador para o ajuste del control del temporizador. Pulse " + " o " - " para seleccionar el número de horas que desea que la unidad funcione antes de que se apague automáticamente.

Encendido automático:

Con la máquina en modo de espera, pulse el botón del temporizador para ajustar el control del temporizador. Pulse " + " o " - " para seleccionar el número de horas antes de que la unidad empiece a funcionar automáticamente en modo aire acondicionado.

Nota: El tiempo es ajustable entre 1-24 horas.

CONTROLES DE TEMPERATURA

Permite ajustar el termostato.

La visualización por defecto es la temperatura ambiente. En modo frío, cuando se pulsa el botón " + " o " - ", se visualiza la temperatura ajustada y se puede ajustar. Transcurridos unos segundos, la pantalla vuelve a mostrar la temperatura ambiente. La temperatura sólo se puede ajustar en modo frío.

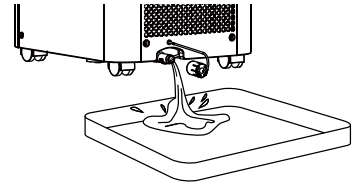
Nota: Al pulsar los dos botones " + " y " - " al mismo tiempo, la pantalla cambiará entre Celsius y Fahrenheit.

LUZ DE DEPÓSITO LLENO

Si el tanque interno se llena, la luz de tanque lleno se encenderá en rojo y la unidad no funcionará hasta que la unidad haya sido drenada. Para drenar el exceso de agua:

1. Comience colocando una bandeja debajo del desagüe de salida de agua..

2. Desenrosque la tapa del desagüe y deje que el agua se vacíe en el recipiente.



Cuando el agua deje de salir, vuelva a colocar la tapa de desagüe.

3. Retire la bandeja del agua y vacíela en un fregadero.

4. Utilice el aparato en modo ventilador para secar el interior del aparato.

📌 NOTA

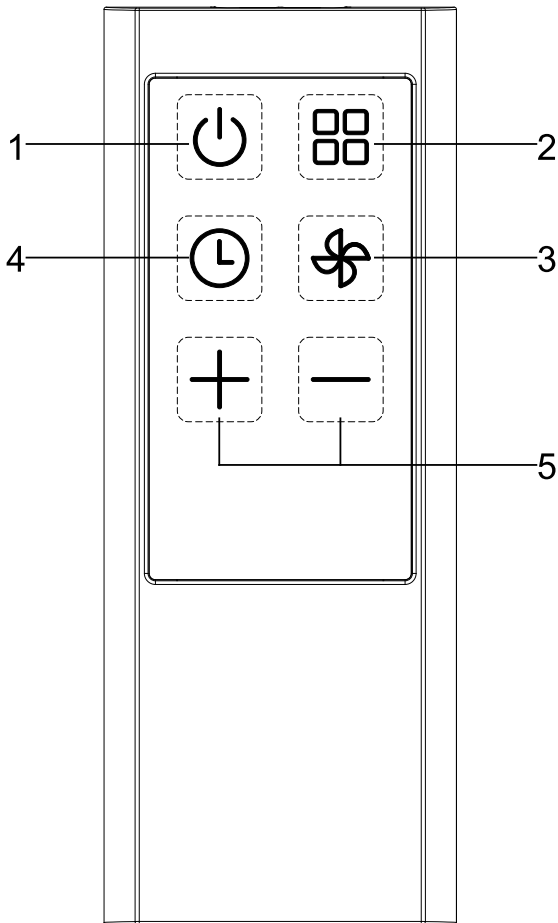
Después de apagar el aire acondicionado, debe esperar 3 minutos antes de volver a encenderlo.

OPERACIÓN

CONTROL REMOTO

Las funciones funcionan igual que los controles táctiles de su aire acondicionado.

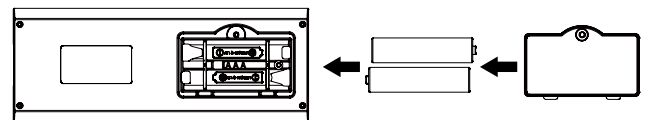
Se puede acceder a todas las funciones de las teclas desde el mando a distancia.



1. Control de encendido: Encendido / Apagado
2. Control de Modo:
 - Frío • Deshumidificación • Ventilador
3. Control de velocidad del ventilador: Alta y Baja.
4. Control de Temporizador:
 - En modo de funcionamiento: Apagado automático
 - En modo de espera: Encendido automático
5. Control del temporizador/ajuste de la temperatura
 - Permite ajustar el temporizador y el termostato. La pantalla por defecto muestra la temperatura ambiente.
 - Al pulsar los botones " + " o " - ", se visualiza la temperatura programada y puede ajustarse. Transcurridos unos segundos, la pantalla volverá a mostrar la temperatura ambiente.

BATERÍAS

Retire la tapa de la parte posterior del control remoto, introduzca las baterías con los polos (+) y (-) orientados en la dirección correcta.



⚠ PRECAUCIÓN

Utilice únicamente baterías AAA o IEC R03 de 1,5 V. Extraiga las baterías si el mando a distancia no se utiliza durante un mes o más.

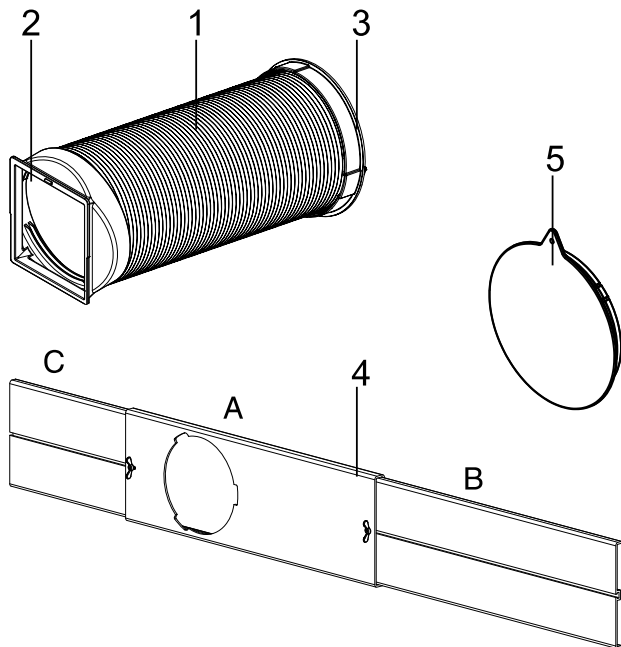
No intente recargar las baterías suministradas.

Cambie todas las baterías al mismo tiempo.

No arroje las baterías al fuego, ya que podrían explotar.

INSTRUCCIONES DE INSTALACIÓN

ACCESORIOS INCLUIDOS

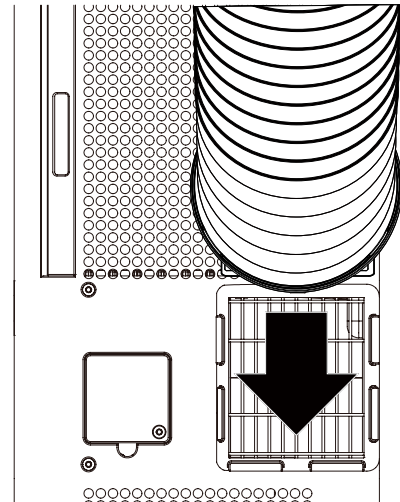


1	Manguera de escape	1
2	Conector para conectar en la parte posterior de la unidad	1
3	Gonnector para conectar msNn p3nel	1
4	Panel de ventana y paneles de extensión de 20" a 47"	3
5	Cubierta del panel de la ventana	1

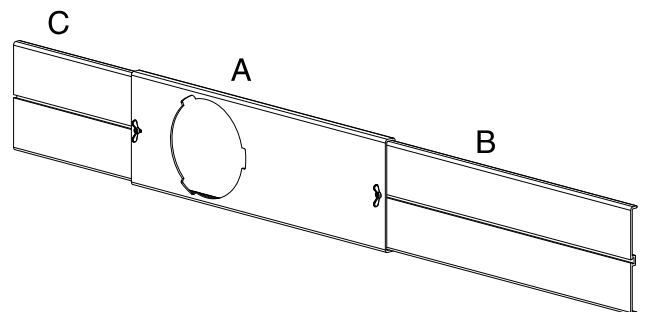
INSTALACIÓN

Al menos 19,7 pulgadas (50 cm) de espacio de aire entre la parte delantera/ izquierda/derecha/parte superior del aire acondicionado portátil y obstáculo adyacente y un espacio de aire de al menos 80 cm entre la parte trasera del aire acondicionado portátil y el obstáculo adyacente durante el funcionamiento normal.

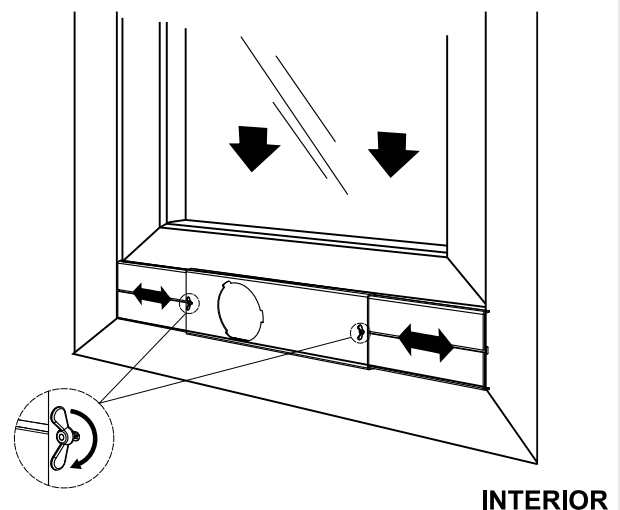
1. Deslice el conjunto de la manguera con el conector de escape (#2) en el panel posterior.



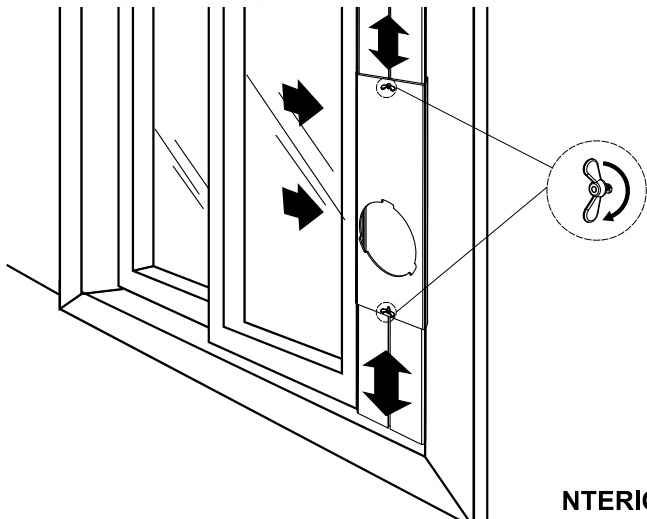
2. Inserte los paneles de ventana B y C en cada extremo del panel principal A. Ajuste para fijar la longitud de los paneles de ventana paneles de la ventana utilizando los tornillos y tuercas montados en los 2 extremos del panel principal A.



3. Abra la ventana y coloque los paneles de ventana. Ajuste los paneles de extensión a la anchura o altura de la ventana. Utilice el tornillo y las tuercas para apretar o aflojar los paneles de extensión.

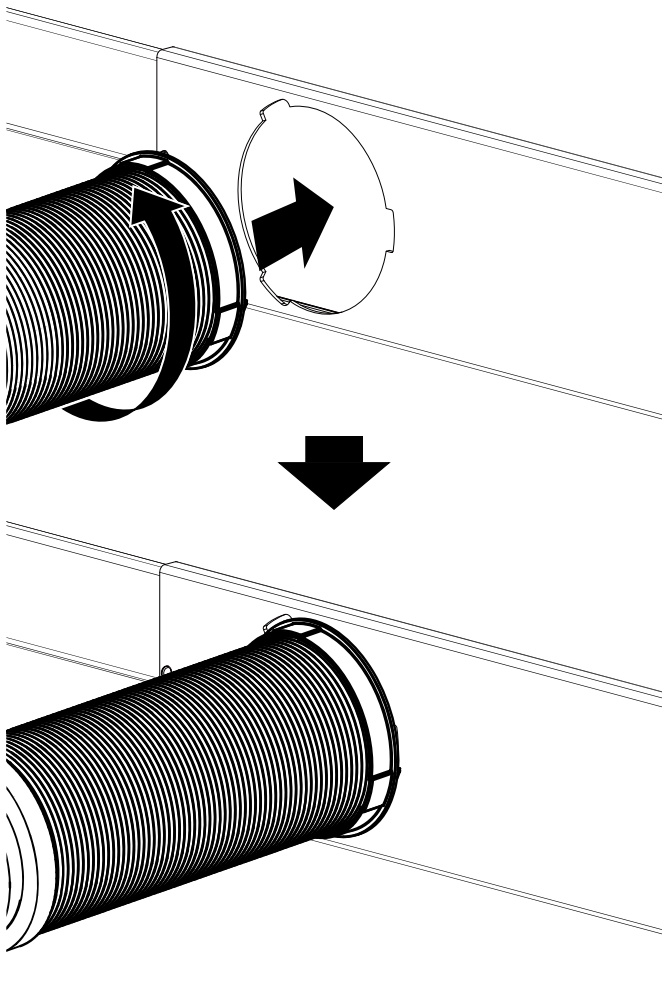


INSTRUCCIONES DE INSTALACIÓN



INTERIOR

4. Inserte el otro extremo del conjunto de la manguera de escape en el panel de la ventana y gire en sentido antihorario para fijarlo.

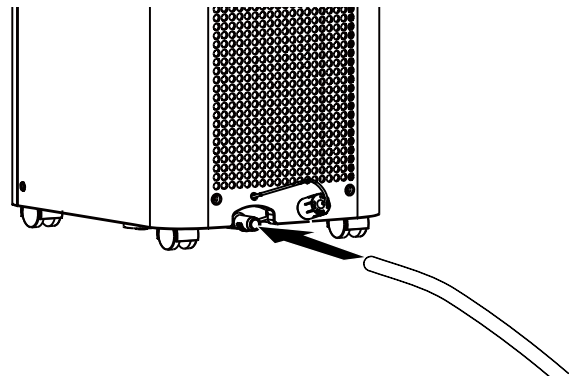


5. Enchufe el cable de alimentación a la toma de corriente y pulse el botón "Reiniciar".
6. Cuando retire el aire acondicionado portátil para guardarlo, puede dejar el panel de la ventana en su sitio. Simplemente coloque la tapa (#5) para cubrir el orificio del panel de la ventana.

DRENAJE CONTINUO

Cuando se dispone de un sistema de drenaje adecuado en las proximidades, se puede iniciar la función de drenaje continuo siguiendo estos pasos.

1. Prepare una manguera (diámetro interior 0,51 pulgadas (13mm), no incluida) para drenar el agua.
2. Retire la tapa de drenaje de la salida de drenaje.
3. Conecte la manguera a la salida de drenaje.



IMPORTANTE:

- La manguera de drenaje debe instalarse durante el modo deshumidificador.
- En el modo de frío, cuando la humedad ambiental es alta, es posible que el agua no se evapore completamente. Por lo tanto, será necesario drenar el exceso de agua del depósito interno de la unidad, y se recomienda un drenaje continuo.

SOLUCIÓN DE PROBLEMAS

Los siguientes casos pueden no ser siempre una avería, por favor compruébelo antes de solicitar servicio.

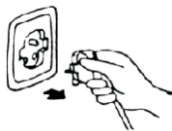
Problema	Análisis
No funciona	<ul style="list-style-type: none">• Si el protector se dispara o se funde el fusible.• Espere 3 minutos y vuelva a arrancar, puede que el dispositivo protector esté impidiendo el funcionamiento de la unidad.• Si las baterías del mando a distancia están gastadas.• Si el enchufe no está bien conectado.
Deja de funcionar durante el funcionamiento	<ul style="list-style-type: none">• Si la temperatura ajustada está cerca de la temperatura ambiente, puede bajar la temperatura ajustada.• La salida de aire está bloqueada por un obstáculo. Retire el obstáculo.
Funciona, pero no enfría	<ul style="list-style-type: none">• Si la puerta o la ventana están abiertas.• Puede haber una fuente de calor importante cerca, como un calefactor, una ventana abierta, una ventana lateral soleada, etc.• El filtro de aire está sucio, límpielo.• La salida o entrada de aire está bloqueada.• La temperatura ajustada es demasiado alta.
No funciona y el indicador de agua llena está encendido	<ul style="list-style-type: none">• Vacíe el agua en un recipiente preparado para ello por el tubo de desagüe situado en el panel posterior de la unidad. Si sigue sin funcionar, consulte a un técnico cualificado.
Pantalla LED "E1"	<ul style="list-style-type: none">• Error del sensor de temperatura, consulte a un técnico cualificado.
Pantalla LED "E2"	<ul style="list-style-type: none">• Error del sensor del serpentín, consulte a un técnico cualificado.

CUIDADO Y MANTENIMIENTO

MANTENIMIENTO DE ELECTRODOMÉSTICOS

1. Corte el suministro eléctrico

Apague primero el aparato antes de desconectarlo de la red eléctrica



2. Limpie con un paño suave y seco. Si la unidad está sucia utilice un detergente suave y un paño húmedo.



3. Nunca utilice sustancias volátiles o sustancias volátiles o inflamables como gasolina o polvo de pulir para limpiar el aparato.



4. No derrame agua sobre el motor principal.



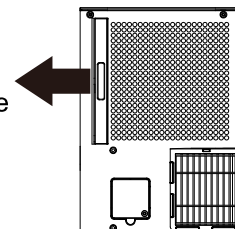
MANTENIMIENTO DEL FILTRO DE AIRE

Es necesario limpiar el filtro de aire después de unas 100 horas de uso.

Límpielo de la siguiente manera:

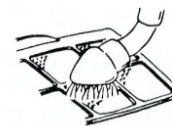
1. Detenga el equipo y retire el filtro de aire.

Detenga el equipo primero y luego retire el filtro de aire.



2. Limpie y vuelva a instalar el filtro de aire

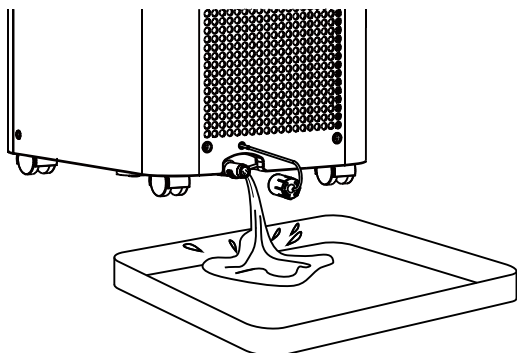
Si la suciedad es evidente, lávelo con una solución de detergente en agua tibia. Después de limpiarlo, séquelo en un lugar fresco y a la sombra, y vuelva a instalarlo...



3. Limpie el filtro de aire cada dos semanas. Si el aire acondicionado funciona en un ambiente polvoriento.

MANTENIMIENTO DESPUÉS DE USO

1. Si no va a utilizar el aparato durante mucho tiempo, asegúrese de sacar el tapón de goma de la parte inferior del orificio de desagüe para vaciar el agua.



2. Antes de guardar la unidad, hágala funcionar en modo ventilador sólo durante unas horas para secar la humedad de las bobinas y evitar la formación de moho.
3. Detenga el aparato y desconecte el enchufe de alimentación, luego saque las baterías del mando a distancia y guárdelo en un lugar seguro.
4. Limpie el filtro de aire y vuelva a instalarlo.
5. Retire las mangueras de aire, guárdelas en un lugar seguro y tape bien el orificio.

GARANTÍA

GARANTÍA LIMITADA DEL APARATO

Se garantiza que este producto está libre de defectos de fabricación en materiales y mano de obra, siempre que la unidad se utilice en las condiciones normales de funcionamiento previstas por el fabricante.

Esta garantía sólo está disponible para la persona a la que el aparato fue vendido originalmente por el fabricante o por un distribuidor autorizado del fabricante, y no es transferible.

TÉRMINOS DE LA GARANTÍA

Las piezas de plástico tienen una garantía de treinta (30) días a partir de la fecha de compra, sin posibilidad de prórroga.

PRIMEROS 24 MESES:

Durante los primeros veinticuatro (24) meses, cualquier pieza funcional de este producto que se encuentre defectuosa, será reparada o sustituida, a elección del garante, sin cargo alguno para el comprador ORIGINAL. Conserve el recibo de compra como prueba de la fecha de compra.

Para obtener servicio, consulte la información de contacto a continuación:

Tel: 888-984-2766

Email: contactus@aerichome.com

o DEVUÉLVASE A LA TIENDA DONDE LO COMPRÓ PARA SU SUSTITUCIÓN.

EXCLUSIONES

Salvo lo dispuesto en el presente documento por el fabricante, no hay otras garantías, condiciones, representaciones o garantías, expresas o implícitas, hechas o previstas por el fabricante o sus distribuidores autorizados y todas las demás garantías, condiciones, representaciones o garantías, incluyendo cualquier garantía, condiciones, representaciones o garantías en virtud de cualquier Ley de Venta de Bienes o legislación o estatuto similar queda expresamente excluida. Salvo lo dispuesto en el presente documento, el fabricante no será responsable de ningún daño a personas o bienes, incluido el

Por la presente, el comprador se compromete a indemnizar y eximir al fabricante de cualquier reclamación por daños a personas o bienes causados por la unidad.

Dado que algunos estados no permiten la limitación o exclusión de daños incidentales o consecuentes, o no permiten la limitación de garantías implícitas, las limitaciones y exclusiones anteriores pueden no ser aplicables en su caso. Esta garantía le otorga derechos legales específicos, y también puede tener otros derechos que varían de un estado a otro.

DISPOSICIONES GENERALES

Ninguna garantía o seguro aquí contenido o establecido se aplicará cuando el daño o reparación sea causado por alguna de las siguientes causas:

- 1) Corte del suministro eléctrico.
- 2) Daños durante el transporte o traslado del aparato.
- 3) Suministro eléctrico inadecuado, como baja tensión, cableado defectuoso o fusibles inadecuados.
- 4) Accidente, alteración, abuso o uso indebido del aparato, como circulación de aire inadecuada en la habitación o condiciones de funcionamiento anormales (temperatura ambiente extremadamente alta o baja).
- 5) Uso con fines comerciales o industriales (es decir, si el aparato no está instalado en una residencia doméstica).
- 6) Incendio, daños por agua, robo, guerra, disturbios, hostilidades, casos de fuerza mayor como huracanes, inundaciones, etc.
- 7) Llamadas de servicio que den lugar a la educación del cliente.

AERIC LLC
Ramsey New Jersey 07446
USA