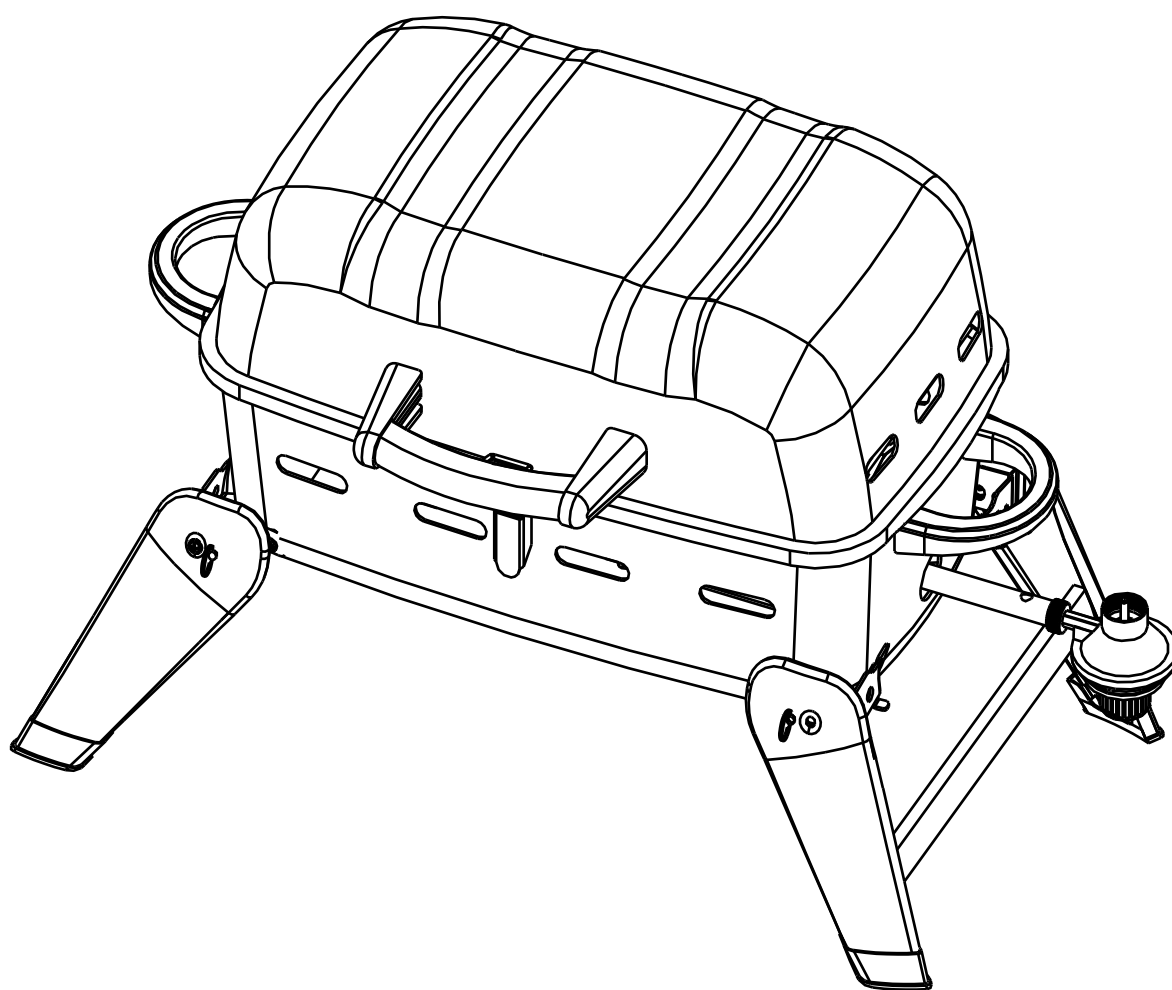


Master *Cook*®

Portable Gas Grill

Model #: SRGG4528



Instruction Manual



Questions, problems, missing parts? Before returning to your retailer, call our customer service department at 1-888-909-3888, 7:30am to 4:30pm, Monday thru Friday Pacific Standard Time. E-mail: customerservice@shinerich.us

WARNING FOR YOUR SAFETY

For outdoor Use only

DANGER:

If you smell gas:

1. Shut off gas to the appliance.
2. Extinguish any open flame.
3. Open lid.
4. If odor continues, keep away from the appliance and immediately call gas supplier or fire department.

FOR YOUR SAFETY:

1. Never operate this appliance unattended.
2. Never operate this appliance within 10'(3m) of any other gas cylinder.
3. Never operate this appliance within 25'(7.5m) of any flammable liquids.
4. If a fire should occur, keep away from the appliance and immediately call fire department, do not attempt to extinguish an oil/grease fire with water.

Failure to follow these instructions could result in Fire, explosion or burn hazard, which could cause property damage, personal injury or death.

Please read safety and precaution statements, appliance maintenance, leak testing regulator /cylinder connection and lighting the appliance before using appliance for first time.

WARNING:

- Appliance is for outdoor use only. Appliance should be operated in a well-ventilated space. Never operate in an enclosed space, garage or building. This appliance is not intended to be installed in, on recreational vehicles or boats and should never be used as a heater.
- Do not install or use appliance within 36" (10ft. recommended) of combustibile materials from back and sides of appliance. Appliance shall not be located under overhead surfaces (closed carport, garage, porch, patio) that can catch fire.
- Never attempt to attach this appliance to the self-contained LP gas system of camper trailer or motor home.
- It is the responsibility of the assembler /owner to assemble, install and maintain this appliance. Do not let children operate or play near this appliance. Failure to follow this instruction could result in serious personal injury, and or property damage.
- Open lid before lighting appliance. When appliance is not in use, turn off control knob on regulator.
- Carefully follow instruction in this manual for proper assembly and leak testing. Do not use appliance until leak test has been completed; if leak is detected any time, turn off gas supply and DO NOT use until leak source is corrected.
- Cooking area should be kept clear and free from combustibile materials, gasoline, bottled gas in any form and other flammable vapors and liquids do not obstruct flow of combustion and ventilation air.
- Ensure proper bottle position prior to lighting appliance. Bottle should be vertical. Never try to light appliance with lid closed. Build up of gases is very dangerous and could cause an explosion.
- The use of alcohol, prescription or non-prescription drugs may impair your ability to properly assemble or safely operate appliance.
- Never leave appliance unattended while in operation, keep children and pets away from appliance at all times.

Safety Symbols

DANGER:

Indicates an imminently hazardous situation, which if not avoided, will result in death or serious injury.

WARNING:

Indicates a potentially hazardous situation, which if not avoided, could result in death or serious injury.

CAUTION

Indicates a potentially hazardous situation or unsafe practice, which, if not avoided, may result in minor or moderate injury.

- This instruction manual contains important information necessary for the proper assembly and safe use of the appliance.
- Read and follow all warning and instructions before assembling and using the appliance.
- Follow all warnings and instructions when using the appliance.
- Keep these instructions for future reference.

WARNING FOR YOUR SAFETY

WARNING:

- Do not leave appliance unattended while in operation.
- Do not use appliance while under the influence of drugs or alcohol.
- Do not store any spare LP(propane) cylinder, full or empty, under or near your grill.
- Appliance is not intended for commercial use for rental.

Installation Safety Precautions

- Installation must conform with local codes or in the absence of local codes, with the national fuel gas code, ANSI Z223.1/NFPA 54, Propane Storage and handling of liquefied Petroleum Gases, ANSI/NFPA 54 or CSA B149.1, natural gas and propane installation code, CSA B149.2, Propane Storage and Handling.
- Visually check burner flames
- Cylinders must be disconnected when the appliance is not in use.
- The pressure regulator supplied with the appliance must be used; replacement pressure regulators must be those specified by the manufacturer.
- Cylinder supply system must be arranged for vapor withdrawal.
- The LP gas supply cylinder to be used must be constructed and marked in accordance with the specifications for LP gas cylinders of U.S Department of Transportation (DOT) CFR 49, or the National Standard of Canada, CAN/CSA-B339, Cylinders, Spheres and Tubes for the Transportation of Dangerous Goods.
- Place your appliance out side on a firm, level surface away from wooden fences, overhanging trees, or other flammable object before igniting the gas burner.

Propane Gas Cylinder

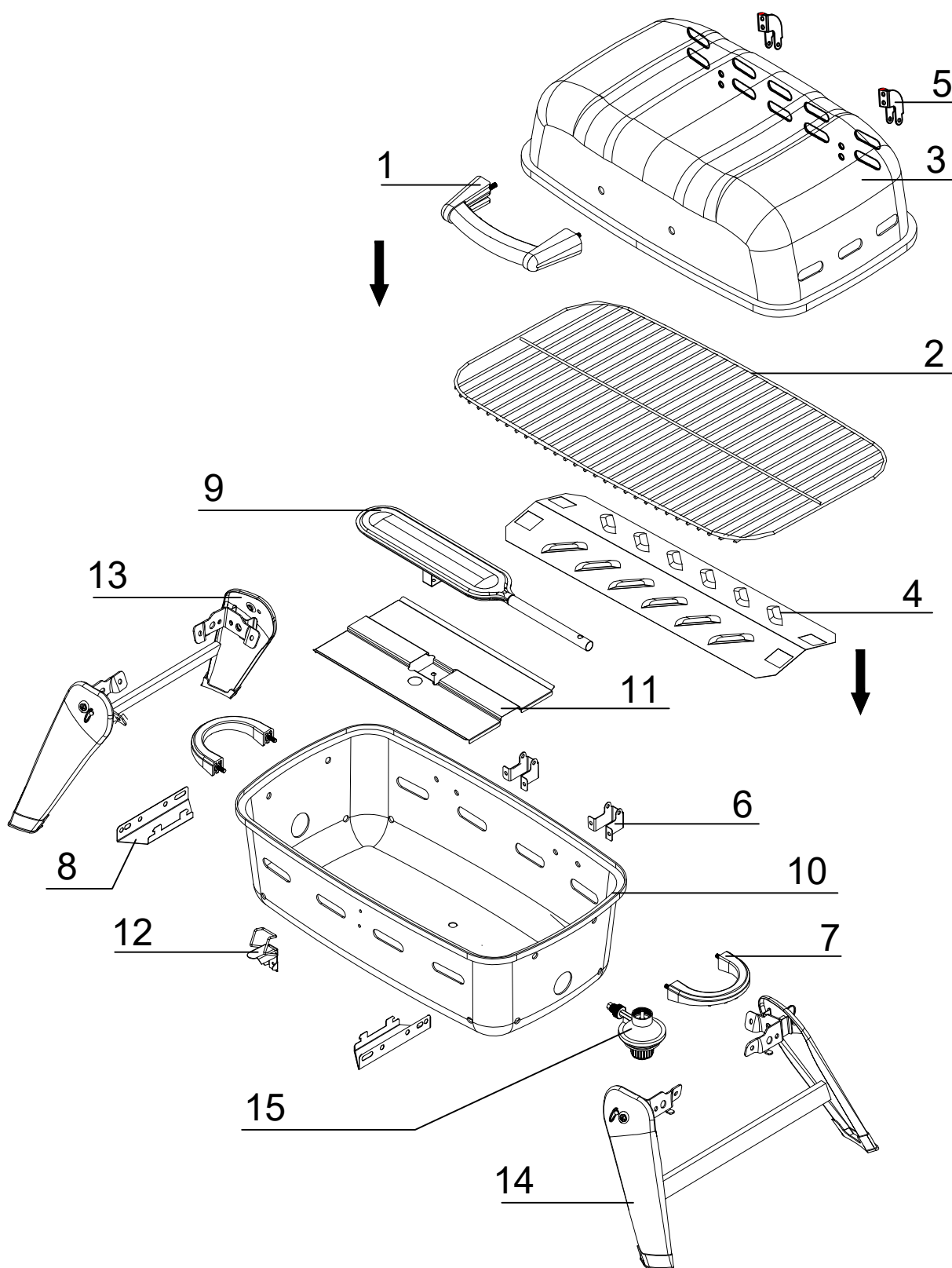
- This appliance is designed to operate with one 1lb(465g) disposable cylinder (dot 39 cylinder) that is 7^{3/8}" high (not included). Do not attempt to refill any disposable fuel cylinders.
- The cylinder must be installed, transported and stored in an upright position and should not be dropped or handled roughly.
- When the appliance is to be stored indoor, the propane gas cylinder must be disconnected from the appliance When the propane gas cylinder is connected to the barbecue, both must be stored outdoor in a well-ventilated space.
- The cylinder should never be transported or stored where temperatures can reach 51°C(127 F).
- Cylinder must be stored outdoor, out of the reach of children. It must not be stored in a building, garage, or any other enclosed area.
- Only cylinders marked propane must be used.
- Do not store a spare LP-gas cylinder under or near this appliance; If the instructions are not followed exactly, a fire causing death or serious injury may occur.

WARNING:

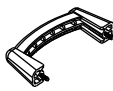
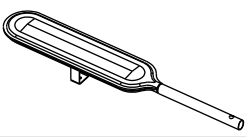
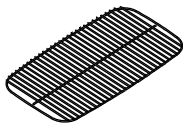
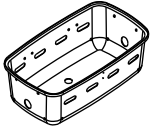
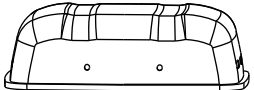
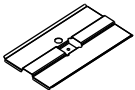
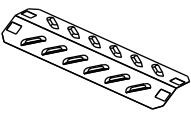


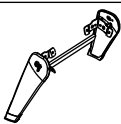
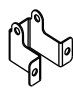
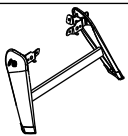


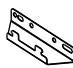
Natural Hazards-Insects and Spiders

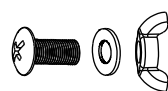

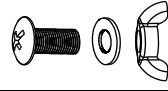

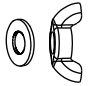

A clogged tube can lead to a fire beneath the appliance. During shipment or storage, it is possible that small insects and spiders could find their way into the venturi tubes and make nests or webs, this could block the flow of gas through the venturi tube causing a smoky, yellowish flame, or prevent a burner from lighting. It could even cause the gas to burn outside the venturi tube, which could seriously damage the appliance. If this occurs, turn off the gas flow and wait for the appliance to cool. When the appliance has cooled, remove the burner and clean out the venturi tube with a brush or pipe cleaner. Replace the burner and be sure that the venturi tube is seated over the orifice located on the gas valves. Cleaning of the venturi tube should be conducted periodically, especially at the start of the season.

PACKAGE CONTENTS

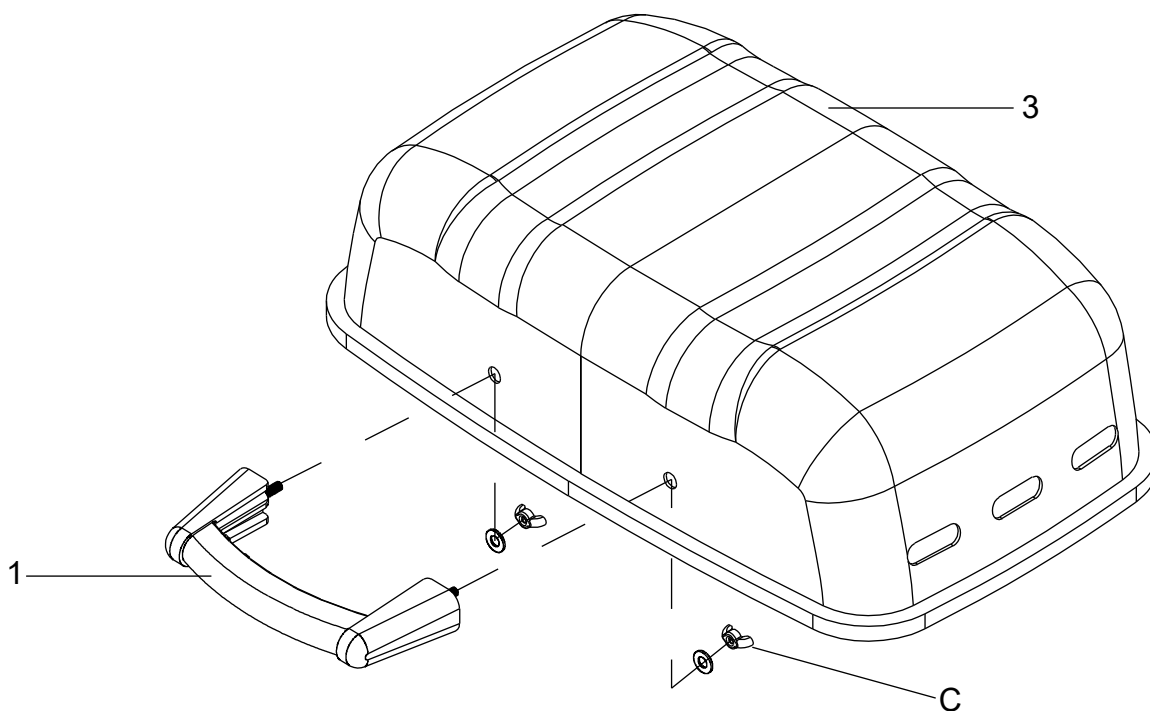


PACKAGE CONTENTS

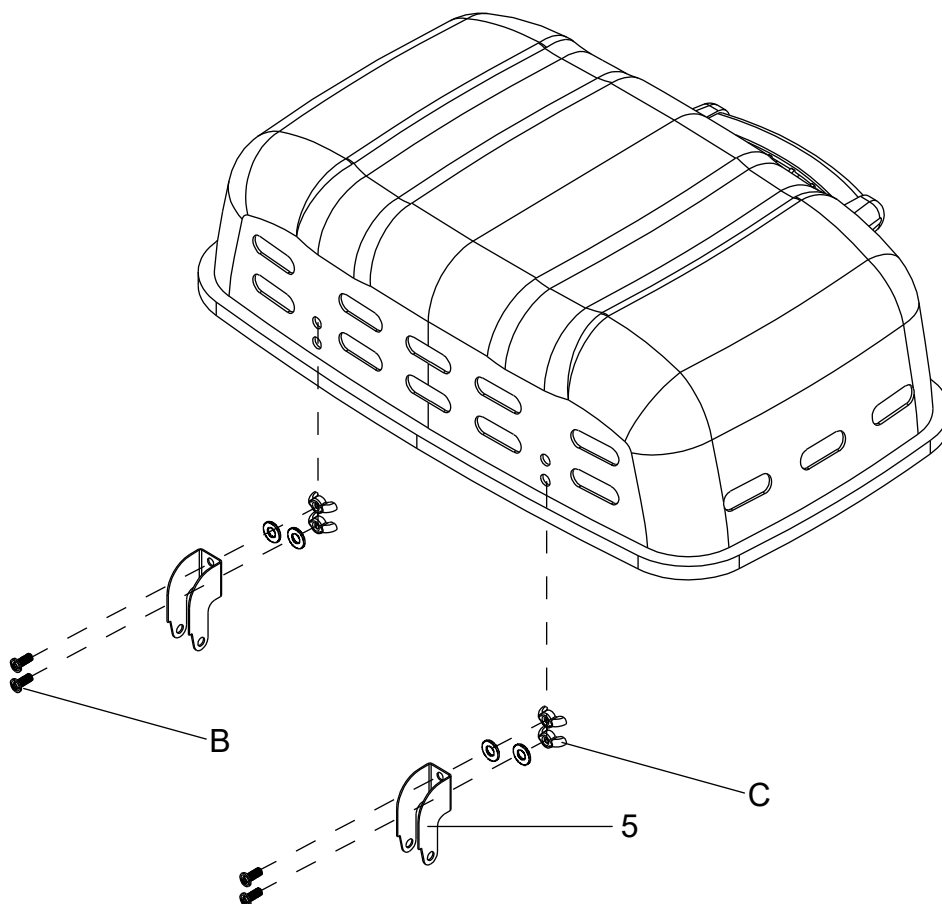
Part#	Image	Qty	Part#	Image	Qty
1		1PC	9		1PC
2		1PC	10		1PC
3		1PC	11		1PC
4		1PC	12		1PC
5		2PCS	13		1PC
6		2PCS	14		1PC
7		2PCS	15		1PC
8		2PCS			1PC

A	M4x10		2Pcs	D	M6x12		1Pc
B	M5x12		16Pcs	E			2Pcs
C	M5		6Pcs	F			2Pcs

Assembly Instructions

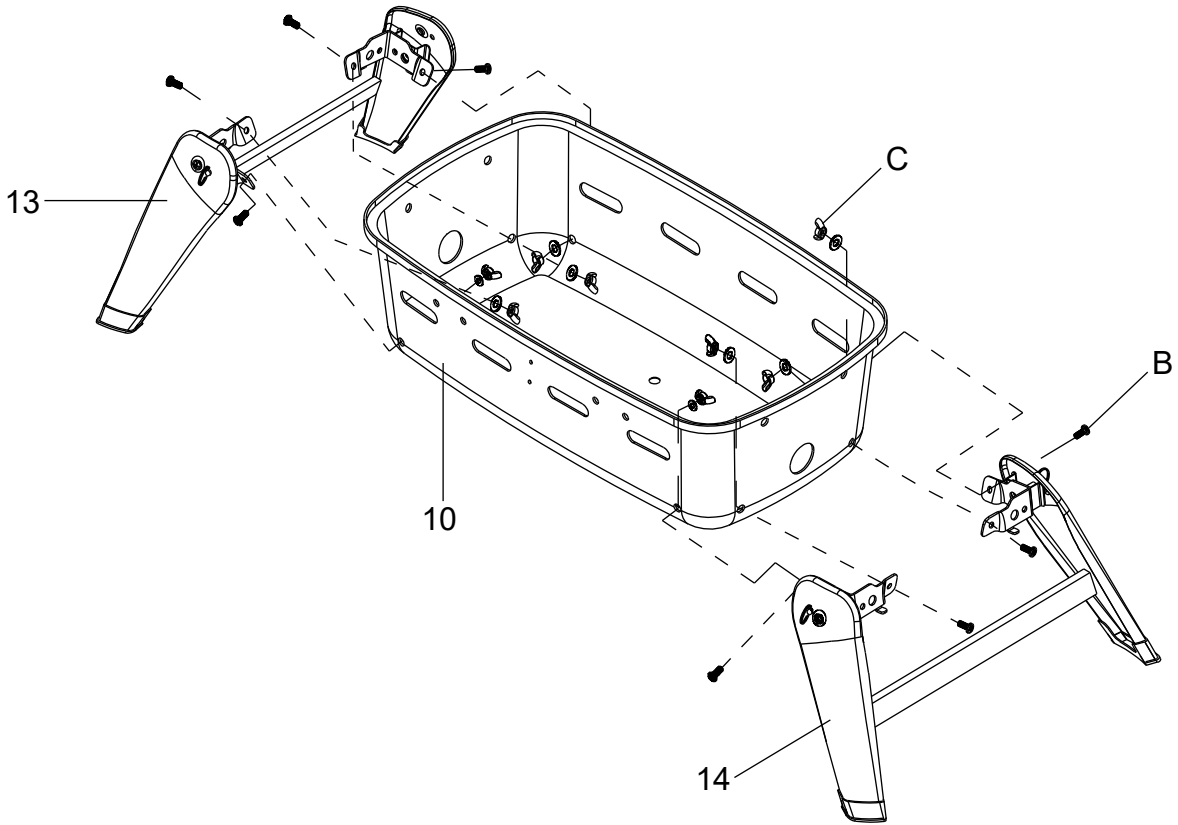


1

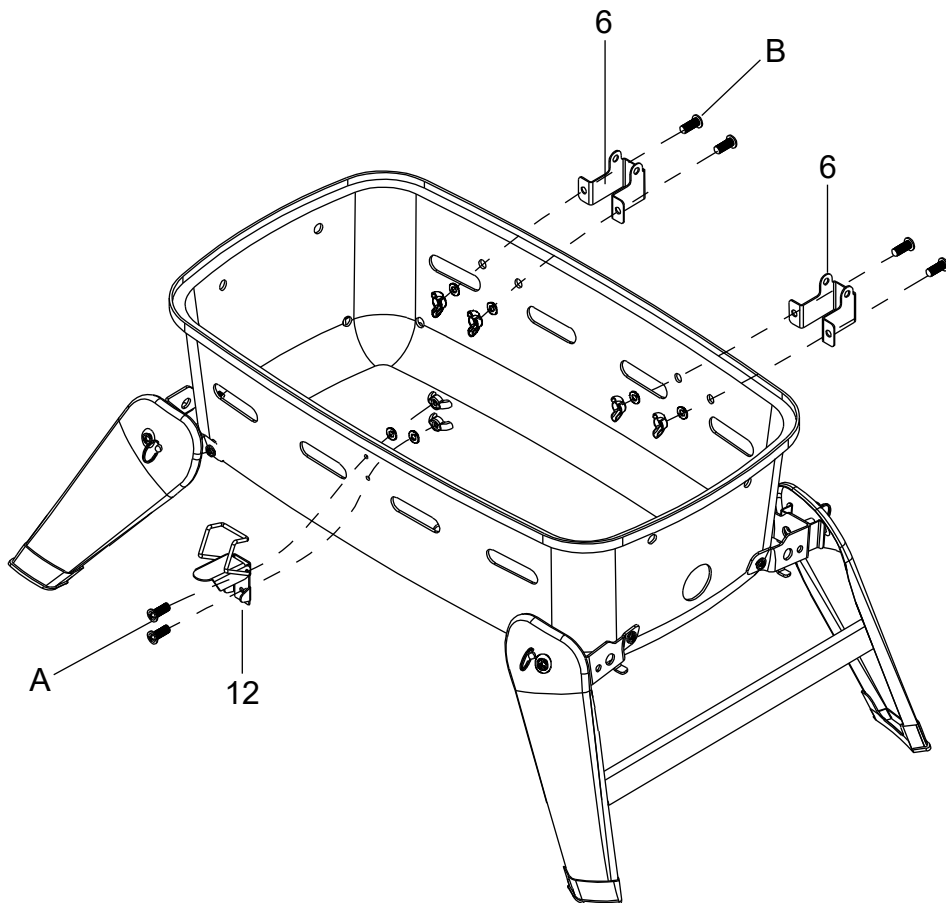


2

Assembly Instructions

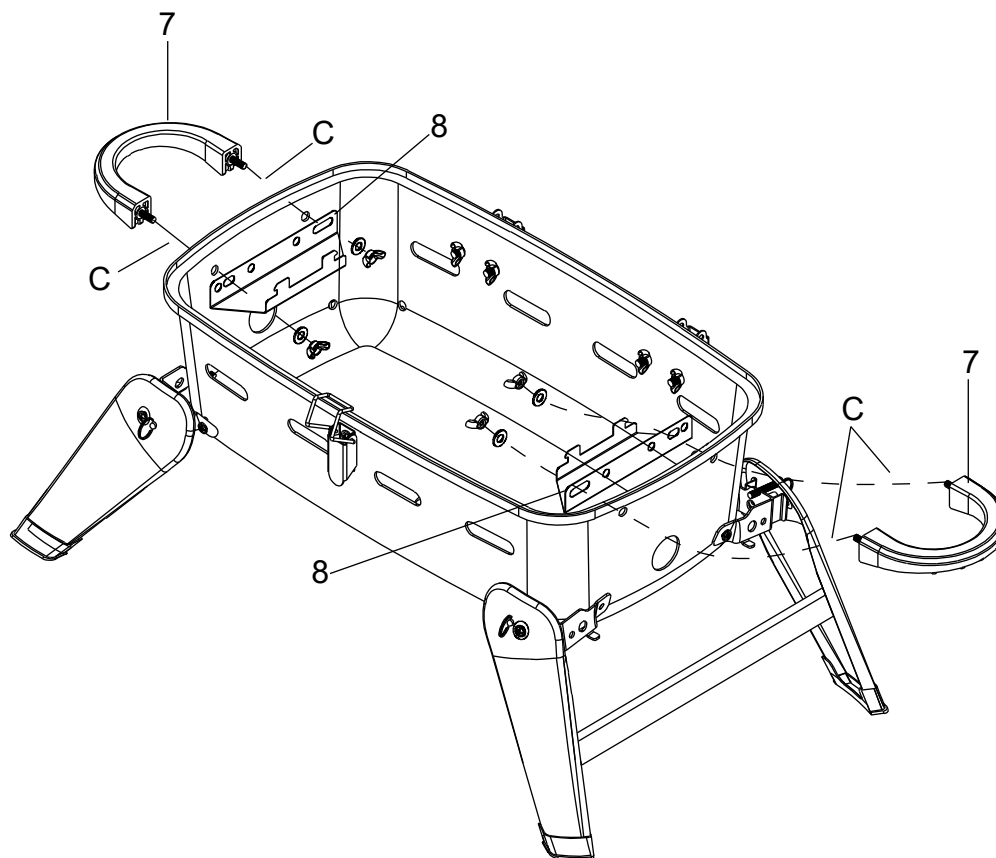


3

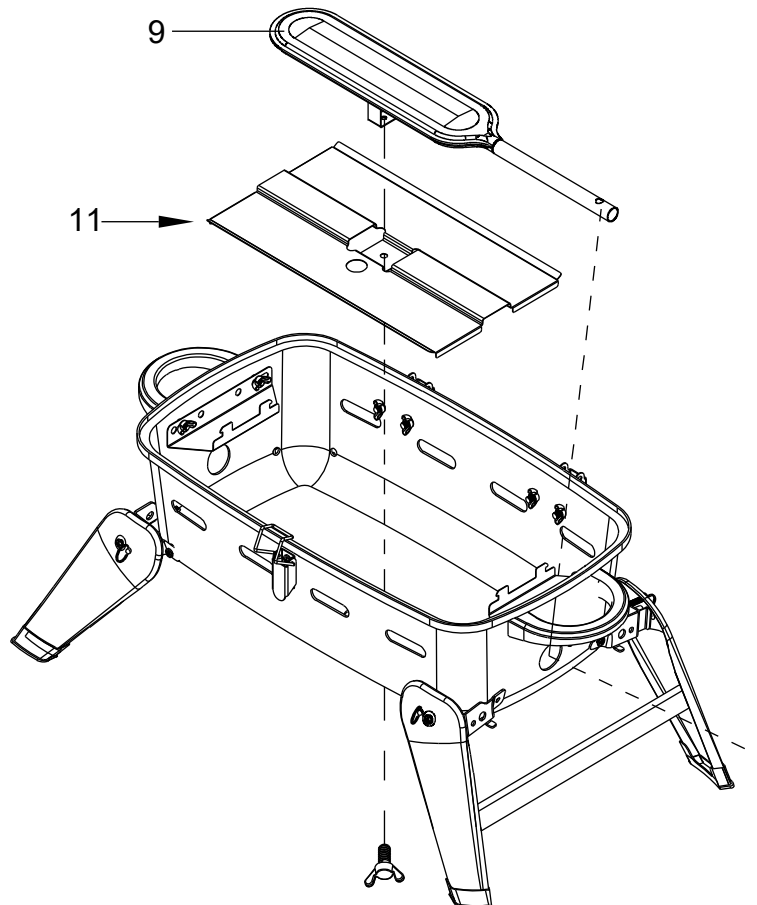


4

Assembly Instructions

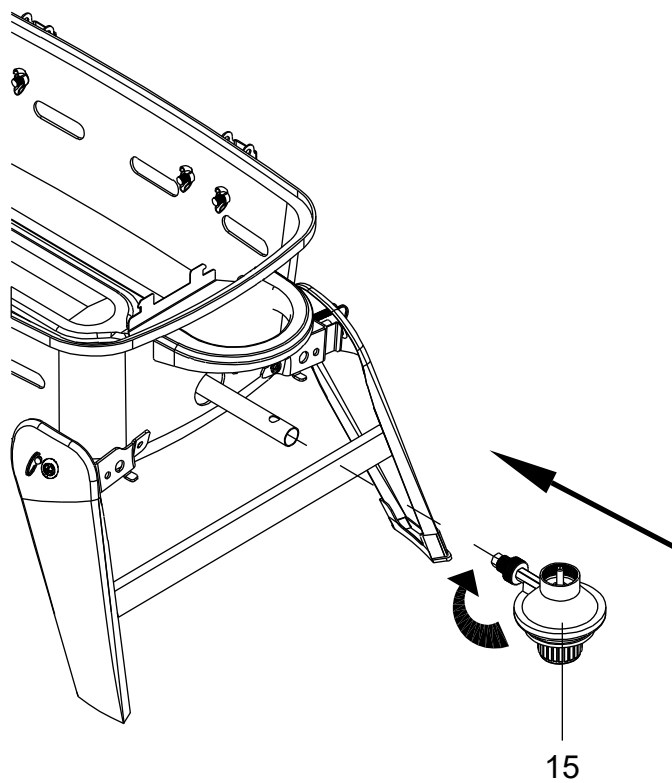


5

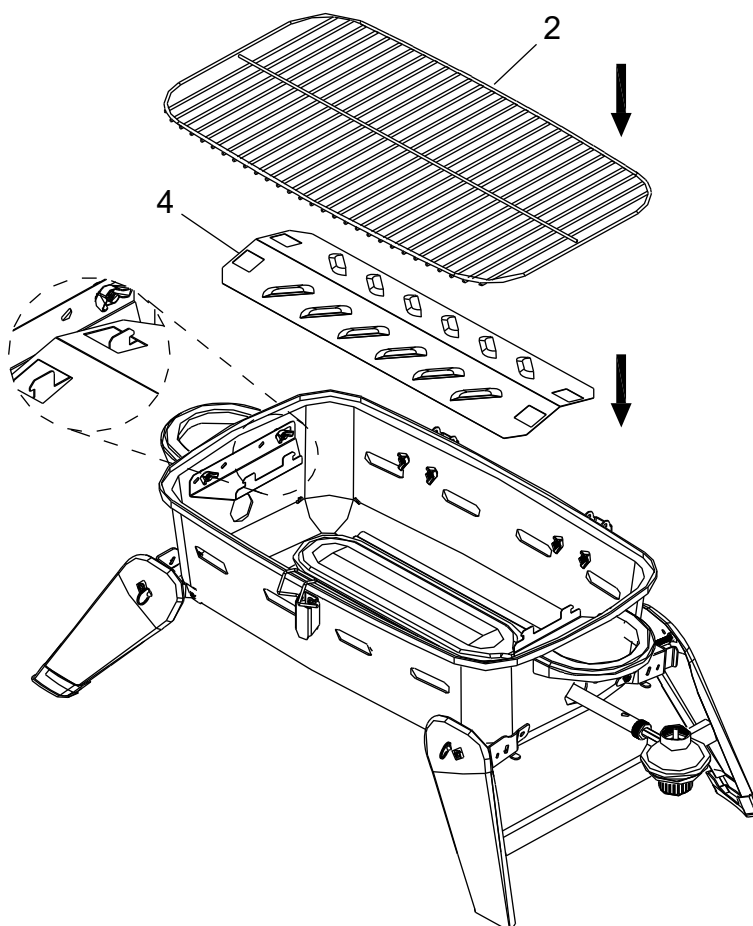


6

Assembly Instructions

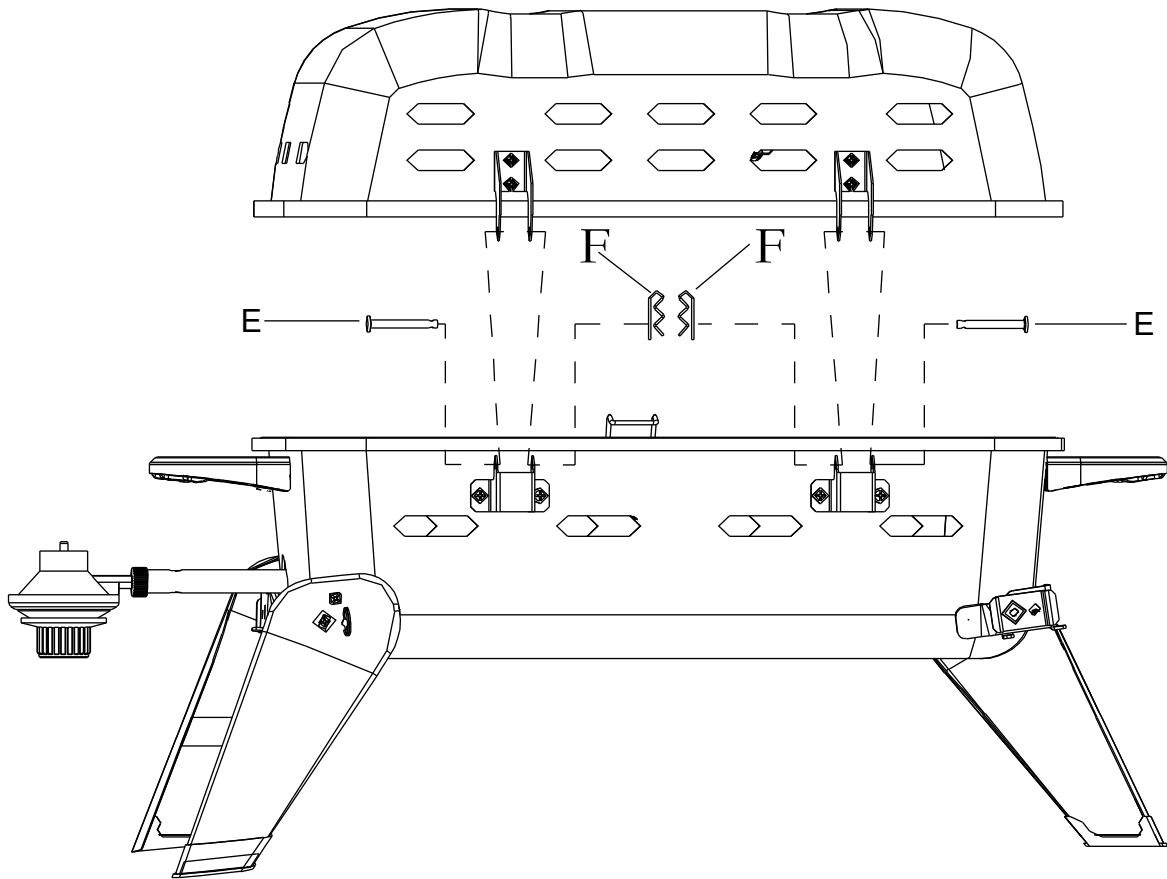


7



8

Assembly Instructions



9

Operating Instructions

- Use grill, as purchased, only with LP (propane) gas and the regulator/valve assembly supplied.
- Grill installation must conform with local codes, or in their absence of local codes, with either the **National Fuel Gas Code, ANSI Z223.1/ NFPA 54**. Storage and handling of liquefied petroleum gasses must conform to LP Gas Code **ANSI / NFPA 58**. Grill is not for use in or on recreational vehicles and/or boats.
- All electrical accessories (such as rotisserie) must be electrically grounded in accordance with local codes, or **National Electrical Code, ANSI / NFPA 70**. Keep any electrical cords and/or fuel supply hoses away from any hot surfaces.
- This grill is safety certified for use in the United States only. Do not modify for use in any other location. Modification will result in a safety hazard.
- **Do not leave appliance unattended. Keep children and pets away from appliance at all times.**

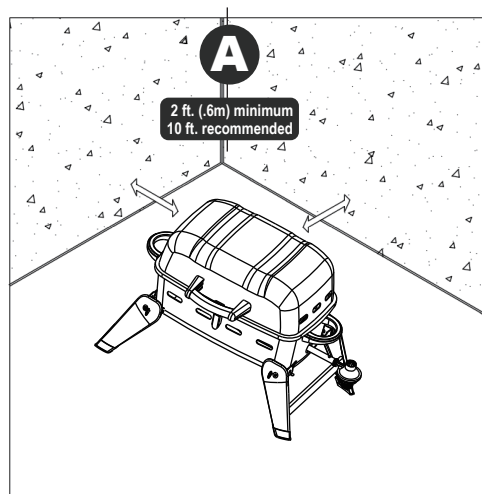
Safety Tips

- ♦ The use of alcohol, prescription or nonprescription drugs may impair the consumer's ability to properly assemble or safely operate the appliance.
- ♦ When grill is not in use, disconnect 1 lb. cylinder.
- ♦ Never move grill while in operation or still hot. Allow the appliance to cool before moving or storing.
- ♦ The regulator may make a humming or whistling noise during operation. This will not affect safety or use of grill.
- ♦ If you have a grill problem see the Troubleshooting Section.
- ♦ Light burners. Check to make sure they are lit, close the lid and warm up grill on high for 10 minutes. Curing of paint and parts will produce an odor only on first lighting.
- ♦ Grill is not intended for and should never be used as a heater.
- ♦ Clean grill often, preferably after each cookout. If a bristle brush is used to clean any of the grill cooking surfaces, ensure no loose bristles remain on cooking surfaces prior to grilling. It is not recommended to clean cooking surfaces while grill is hot.
- ♦ Use long-handled barbecue utensils and oven mitts to avoid burns and splatters.
- ♦ If the regulator frosts, turn off grill and LP cylinder valve immediately. This indicates a problem with the cylinder and it should not be used on any product. Return to supplier!



For Safe Use of Your Grill and to Avoid Serious Injury:

- Do not let children operate or play near grill.
- Keep grill area clear and free from materials that burn (i.e. gasoline, propane, or any other flammable liquid or gas).
- Do not block holes in bottom or back of grill.
- Check burner flames regularly.
- Never use regulator from this grill with any other LP appliance.
- When cooking, the appliance must be on a level surface in an area clear of combustible material.
- Use grill only in well-ventilated space. NEVER use in enclosed space such as carport, garage, porch, covered patio, or under an over head structure of any kind.
- Do not use charcoal or ceramic briquets in agas grill. *(Unless briquets are supplied with your grill.)*
- This appliance is not intended for and should never be used as a heater.
- **Use grill at least 2 ft. from any wall or surface.** Maintain 10 ft. clearance to objects that can catch fire or sources of ignition such as pilot lights on water heaters, live electrical appliances, etc..



• Apartment Dwellers:

Check with management to learn the requirements and fire codes for using an LP gas grill in your apartment complex. If allowed, use outside on the ground floor with a three (3) foot clearance from walls or rails. Do not use on or under balconies.

- **NEVER attempt to light burner with lid closed. A build up of non-ignited gas inside a closed grill is hazardous.**
- **Never operate grill with LP cylinder out of correct position specified in assembly instructions**

Operating Instructions

LP (Liquefied Petroleum Gas)

- Is nontoxic, odorless and colorless when produced. **For your Safety**, LP gas has been given an odor (similar to rotten cabbage) so that it can be smelled.
- **LP gas is highly flammable and may ignite unexpectedly when mixed with air.**

Propane Cylinder Use (1lb. Disposable)

- Use only cylinder marked "Propane Fuel".
- Cylinder must be constructed and marked in accordance with the specifications for LP-gas cylinders of the U.S. Department of Transportation (DOT) or the National Standard of Canada, CAN/CSA-B339, Cylinders, Spheres and Tubes for the Transportation of Dangerous Goods.
- Save cylinder cap and reinstall when not in use.
- Cylinder supply system must be arranged for vapor withdrawal. Gas cylinder must be upright in use.

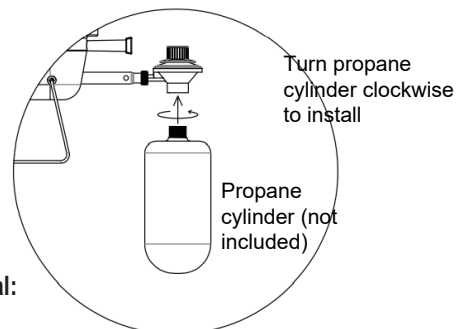
Propane Gas Cylinders

- Your grill is designed to operate with one 16.4 oz. disposable cylinder (DOT 39 Cylinder).
Do not attempt to refill any 16.4 oz. disposable fuel cylinders.
- The cylinder must be installed, transported and stored in an upright position and should not be dropped or handled roughly.
- When the appliance is to be stored indoors, the propane gas cylinder must be disconnected from the appliance.
- When the propane gas cylinder is not disconnected from the appliance, the appliance and cylinder must be stored outdoors in a well-ventilated space.
- The cylinder should never be transported or stored where temperature can reach 125 °F (51 °C).
- Cylinders must be stored outdoors out of the reach of children.
- A disconnected LP cylinder in storage or being transported must have a safety cap installed. Failure to use safety cap as directed may result in serious personal injury and/or property damage.
- Do not store an LP cylinder in enclosed spaces such as a carport, garage, porch, covered patio or other building.

Propane Cylinder Installation/Removal

Propane Cylinder Installation:

1. Remove cap from end of Propane cylinder (sold separately).
2. Cap should be kept on cylinder when not in use to prevent dirt and debris from entering Regulator/Valve.
3. Check end of cylinder attachment for dirt and debris. Clean out if necessary.
4. Insert threaded end of Propane Cylinder into Regulator/Valve and hand-tighten turning cylinder clockwise as shown below.
DO NOT USE TOOLS! Over tightening can damage threads on Regulator/Valve.
5. Perform a leak test.



Propane Cylinder Removal:

1. Turn regulator OFF.
2. Allow Grill to cool.
3. Remove the propane cylinder by turning counter-clockwise until disengaged from the Regulator/Valve.
4. Install cap on cylinder. Cap should be kept on cylinder when not in use to prevent dirt and debris from entering Regulator/Valve.

Leak Testing (1lb. Disposable) **IMPORTANT!**

- During leak test, keep grill away from open flames or sparks and do not smoke. Grill must be leak tested out doors in a well ventilated area.
- Leak test must be repeated each time gas cylinder is replaced or after storage.

Materials needed include clean paint brush and 50/50 soap and water solution. Use mild soap and water. **Do not use household cleaning agents.** Damage to components can result.

1. Be sure **control knob** on regulator is in "OFF" position.
2. Brush soapy solution onto **connection** between gas cylinder and regulator at **(A)**.

If growing bubbles appear, there is a leak. Retighten connection and repeat steps 1 and 2.



If you can not stop a leak, remove gas cylinder from regulator and check for damaged threads, dirt and debris on regulator and gas cylinder. Also check to see if anything is obstructing flow of gas at regulator and gas cylinder openings. Remove any obstruction that may be found and repeat leak test. **If threads are damaged on either regulator or gas cylinder, replace.** Order new parts by giving the serial, model number and name of items needed to the Grill Service Center at **1-888-909-3888**.

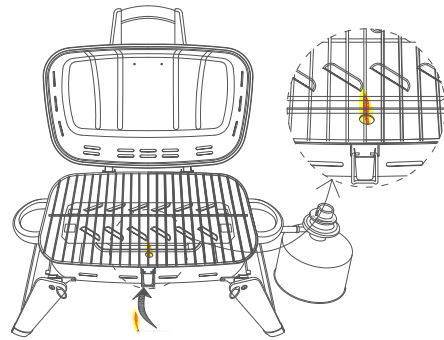
Operating Instructions

Match Lighting Instructions

Important! Remove or raise lid and cooking grate to open position.

Attempting to light burner with lid closed may cause an explosion. Do not expose any part of your body or clothing directly above cooking area when lighting.

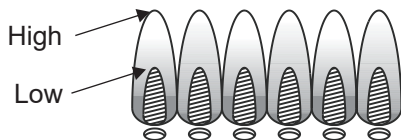
1. Connect 1lb propane cylinder (not included)
2. Push and turn regulator
3. Lighting the burner by ignitor





	CAUTION	
<p>If ignition does NOT occur in 5 seconds, turn the burner control OFF, wait 5 minutes and repeat the lighting procedure. If the burner does not ignite with the valve open, gas will continue to flow out of the burner and could accidentally ignite with risk of injury.</p>		

Burner Flame Check

Light burner. Make sure burner stays lit while rotating the control knob from HIGH to LOW. Always check flame prior to each use.



CARE & MAINTENANCE

	CAUTION	
<ul style="list-style-type: none">• Putting out grease fires by closing the lid is not possible. Grills are well ventilated for safety reasons.• Do not use water on a grease fire. Personal injury may result. If a grease fire develops, turn knobs and LP cylinder off.• Do not leave grill unattended while preheating or burning off food residue on HI. If grill has not been regularly cleaned, a grease fire can occur that may damage the product.		

Before Cooking For The First Time

Operate grill for 15 minutes with the grill lid closed and the gas control on HIGH. This will heat-clean internal components and eliminate odor from paint finish of grill.

Turning Grill Off

- After cooking, turn the grill off by rotating the control knob to OFF. Control knob should pop up in the OFF position. If control knob does not pop up, disconnect cylinder to turn grill off and replace the Regulator/Valve.

- Allow grill to cool completely before storing.

Storing Grill

- Allow grill to cool completely.
- Remove Propane Cylinder and install protective cap over outlet threads.
- Remove Regulator/Valve from grill to help keep dirt out of the propane cylinder probe.
- Store Regulator/Valve in a heavy plastic bag and place inside grill.
- Fold legs up over top of grill with lid in closed position.

Grill Maintenance

- Allow grill to cool before cleaning. Frequency of cleaning is determined by how often grill is used.
- **DO NOT** use self-cleaning oven to clean any grill part. Extreme heat would remove any chrome plating and cause premature rusting.
- Meat drippings will solidify in bottom of grill after a few uses. This residue should be removed regularly. Failure to do so could cause overflow at bottom vent openings and increase the chance of a grease fire.
- When cleaning grill, cover work area with newspaper. Remove grill lid and cooking grate. Loosen residue with scraper or putty knife. Wipe away loosened residue with paper towels.
- Inside surface of grill may be cleaned with a strong solution of detergent and water applied with a scrub brush. Cooking grate may be cleaned with a wire brush. Thoroughly rinse grill with water and allow to completely air-dry before using again.
- Place cooking grate and lid onto grill.

TROUBLE SHOOTING

EMERGENCIES: If a gas leak cannot be stopped, or a fire occurs due to gas leakage, call the fire department.

Problem	Possible Cause	Prevention/Solution
Burner will not Light.	<ul style="list-style-type: none">• Out of Propane• Regulator not fully tightened to cylinder.• Inspect burner for obstructions.	<ul style="list-style-type: none">• Replace Cylinder.• Retighten cylinder.• See 'CARE & MAINTENANCE' for burner cleaning instructions.
Flames burns out on "LOW".	<ul style="list-style-type: none">• Grill not sufficiently preheated before turning to "LOW".	<ul style="list-style-type: none">• See 'CARE & MAINTENANCE' section "Before Cooking For The First Time".

ONE-YEAR LIMITED WARRANTY

The appliance has been manufactured under the highest standards of quality and workmanship. We warrant to the original consumer/purchaser that all aspects of this product will be free of defects in material and workmanship for one (1) year from the date of purchase. A replacement for any defective part will be supplied free of charge for installation by the consumer. Defects or damage caused by the use of other than genuine parts are not covered by this warranty.

This warranty shall be effective from the date of purchase as shown in the purchaser's receipt.

This warranty is valid for the original consumer/purchaser only and excludes industrial, commercial or business use of the product, product damage due to shipment or failure which results from alteration, product abuse, or product misuse, whether performed by a contractor, service company, or consumer. We will not be responsible for labor charges and/or damage incurred in installation, repair or replacement, nor for incidental or consequential damage.

This warranty gives you specific rights, and you may also have other rights that vary from state to state.