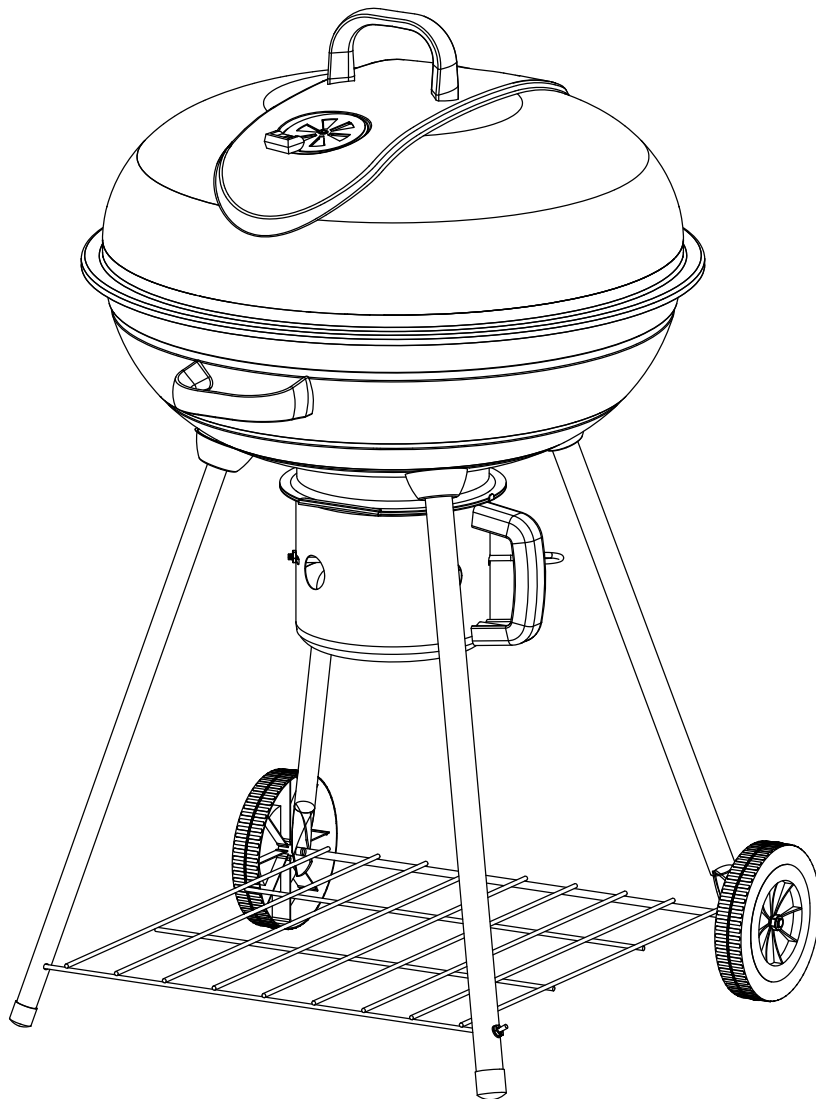


Master *Cook*[®]

22In Charcoal Grill

Model #: SRCG21010



Instruction Manual



Questions, problems, missing parts? Before returning to your retailer, call our customer service department at 1-888-909-3888, 7:30am to 4:30pm, Monday thru Friday Pacific Standard Time. E-mail: customerservice@shinerich.us

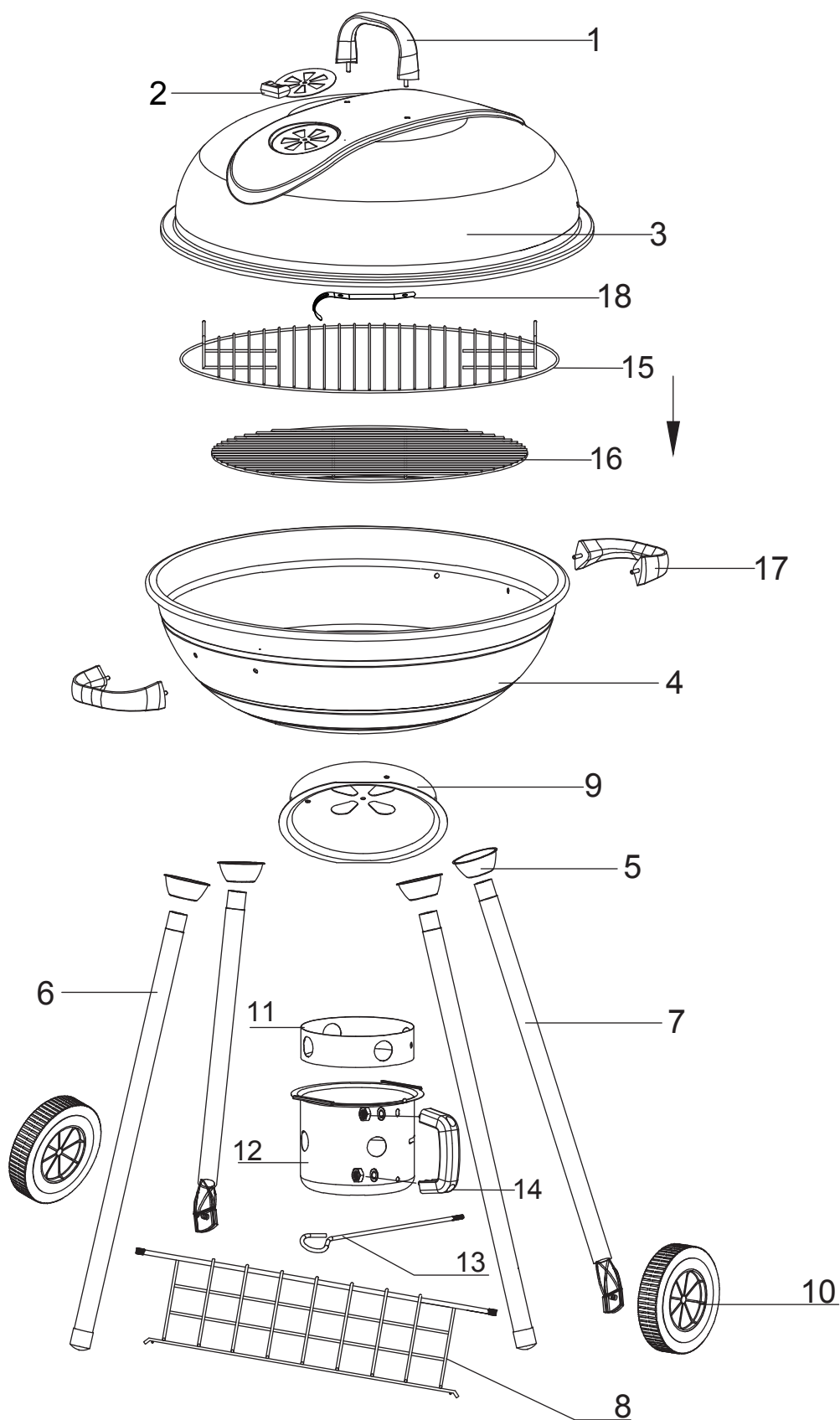
K 5FB-B; : CF MCI F G5: 9HM

1. This grill is for outdoor use only, and shall not be used in a building, garage, or any other enclosed area.
2. This grill is NOT for commercial use.
3. Do not use grill for indoor cooking or heating. Toxic carbon monoxide fumes can accumulate and cause asphyxiation.
4. Do not use gasoline, paraffin, or alcohol for lighting.
5. Do not use in an explosive atmosphere. Keep grill area clear and free from combustible materials, gasoline and other flammable vapors and liquids.
6. Do not store or use gasoline or other flammable liquids or vapors within 25 feet (7.62 m) of this appliance.
7. Instant light charcoal can burn at very high temperatures during initial startup. Make sure lid is open until charcoal turns to hot coals.
8. Keep all combustible items and surfaces at least 21 inches (53 cm) away from the grill at all times.
DO NOT use this grill or any gas product under any overhead or near any unprotected combustible constructions.
9. Do not alter grill in any manner.
10. Do not use the grill unless it is completely assembled and all parts are securely fastened and tightened.
11. This grill should be thoroughly cleaned and inspected on a regular basis.
12. Do not use this appliance without reading "Operating Instructions" in this manual.
13. Do not touch metal parts of grill until it has completely cooled (about 45 min.) to avoid burns, unless you are wearing protective gear (pot holders, gloves, BBQ mittens, etc.).
14. Never touch grates (charcoal or cooking), ashes or coals to see if they are hot.
15. Do not use on wooden decks, wooden furniture or other combustible surfaces.
16. Do not use in or on boats or recreational vehicles.
17. Position grill so wind can not carry ashes to combustible surfaces.
18. Do not use in high winds.
19. Never lean over the grill when lighting.
20. Do not leave a lit grill unattended, especially keep children and pets away from grill at all times.
21. Do not attempt to move grill when in use. Allow the grill to cool before moving or storing.
22. Always open grill lid carefully and slowly as heat and steam trapped within grill can severely burn you.
23. Always place your grill on a hard, non-combustible level surface. An asphalt or blacktop surface may not be acceptable for this purpose.
24. Do not remove the ashes until they are completely and fully extinguished.
25. Live hot briquettes and coals can create a fire hazard.
26. Always empty the ash tray and grill after each use. Do not remove the ashes until they are completely and fully extinguished.
27. Do not place fuel (charcoal briquets, wood or lump charcoal) directly into bottom of grill. Place fuel only on the charcoal pan/grid.
28. Check to make sure the air vents are free of debris and ash before and while you are using the grill.
29. Make sure ash tray is securely and completely in place before using the grill.
30. Always wear protective gloves when adding fuel to retain desired heat level.
31. Keep all electrical cords away from a hot grill.
32. Always use a meat thermometer to ensure food is cooked to a safe temperature.
33. Do not touch the cooking grid by hand when HOT.
34. Attention! This barbecue will become very hot. Do not move it during operation.
35. Warning! Keep children and pets away.
36. Death, serious injury or damage to property may occur if the above is not followed exactly.


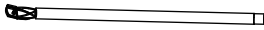


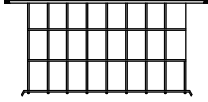











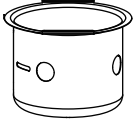

WARNING:





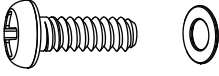
This product can expose you to chemicals including soot, which is known in the State of California to cause cancer, and carbon monoxide, which is known to the State of California to cause birth defects or other reproductive harm. For more information, go to: www.P65Warnings.ca.gov.

PACKAGE CONTENTS

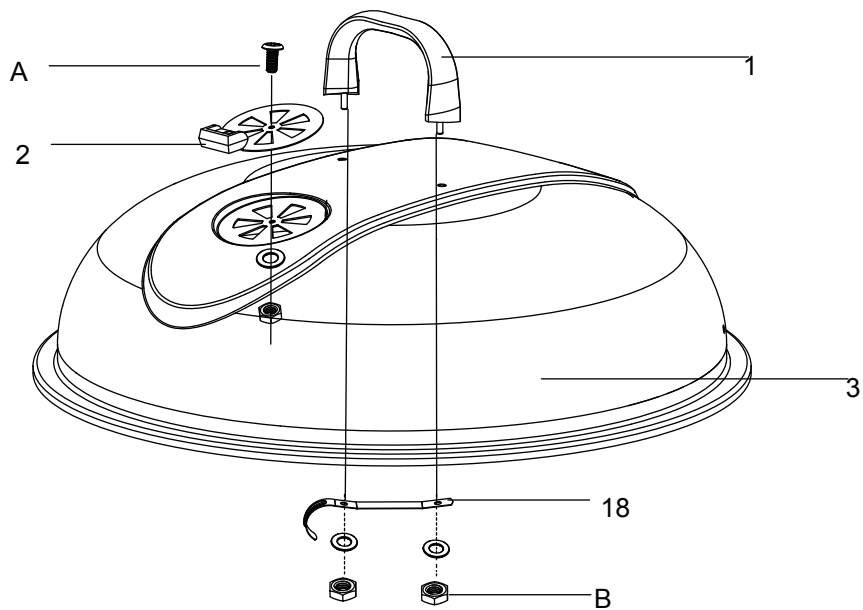




PACKAGE CONTENTS

Part#	Image	Qty	Part#	Image	Qty	Part#	Image	Qty
1		1pc	7		2pcs	13		1pc
2		1pc	8		1pc	14		1pc
3		1pc	9		1pc	15		1pc
4		1pc	10		2pcs	16		1pc
5		4pcs	11		1pc	17		2pc
6		2pcs	12		1pc	18		1pc

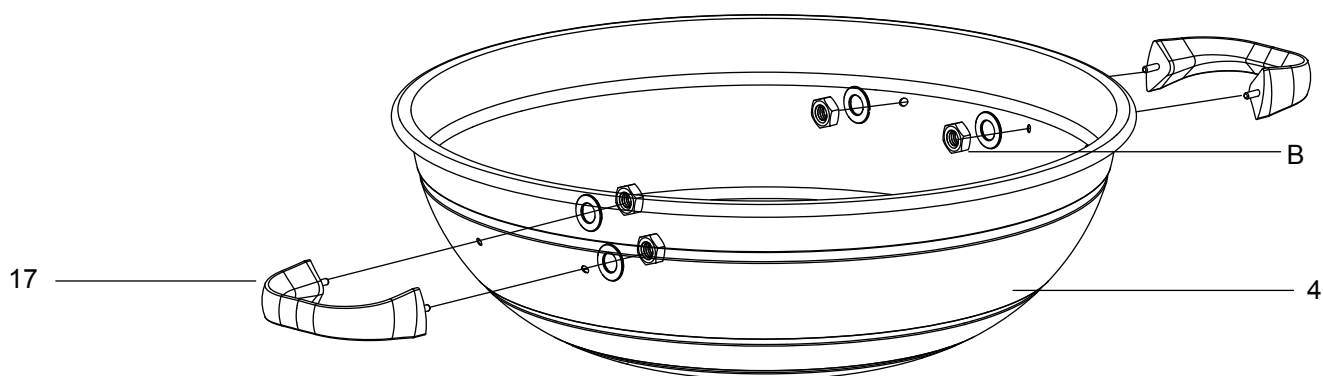
A.	M5x12		1set	D.	M6x15		3sets
B.	M6		11sets	E.	M8		2sets
C.	M6x30 (pre-assemble on part 6 & 7)		4sets				


Assembly Instructions



A.	M5x12		1set
B.	M6		2sets

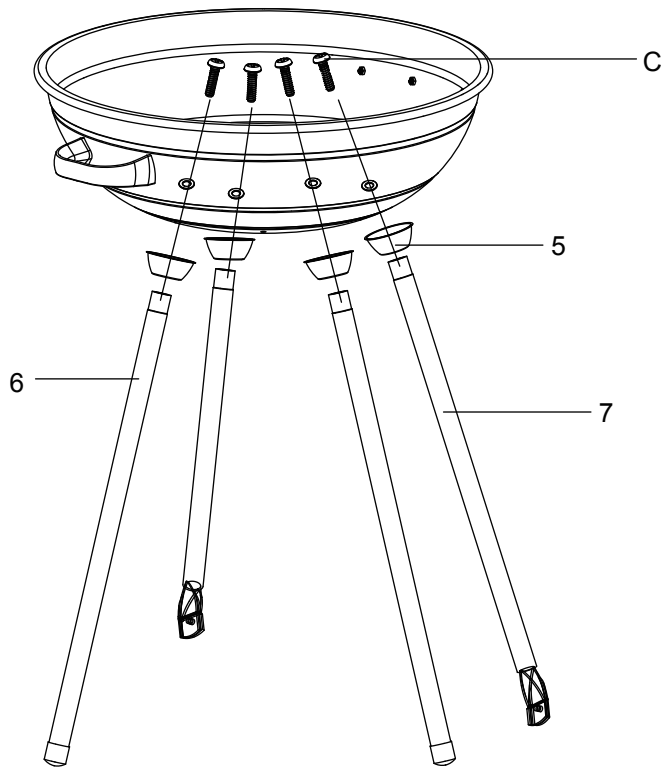
1



B.	M6		4sets
----	----	---	-------

2

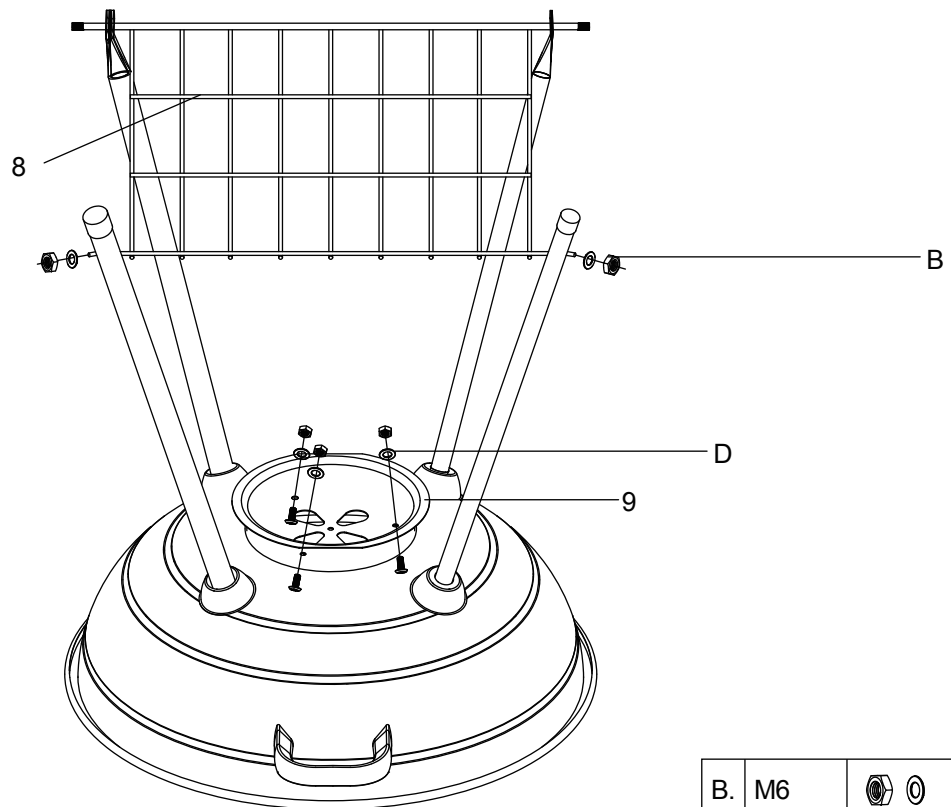
Assembly Instructions








Note: Do not tighten the screws

C	M6x30			4sets
---	-------	--	--	-------

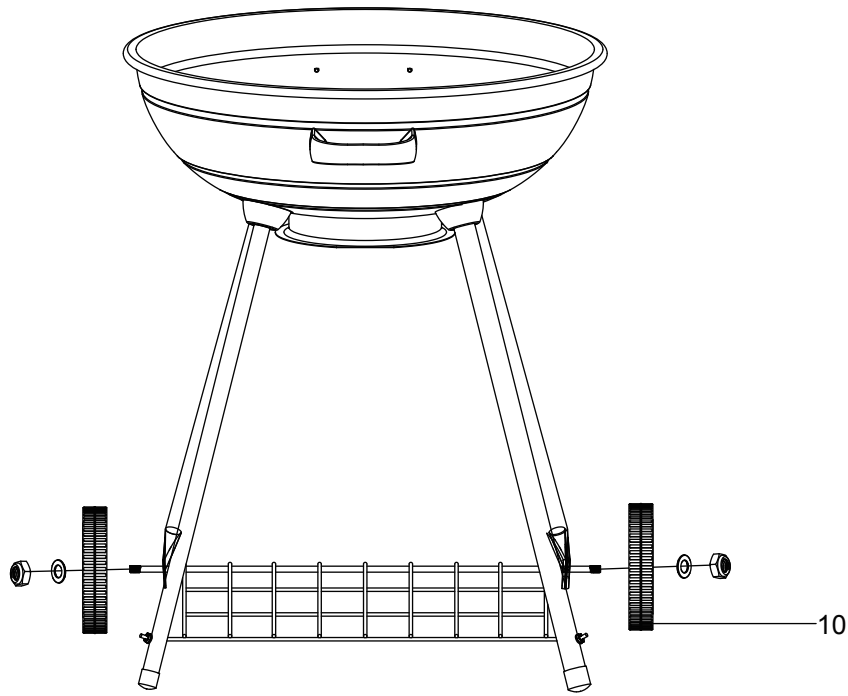
3



B.	M6			2sets
D.	M6x15			 3sets

4

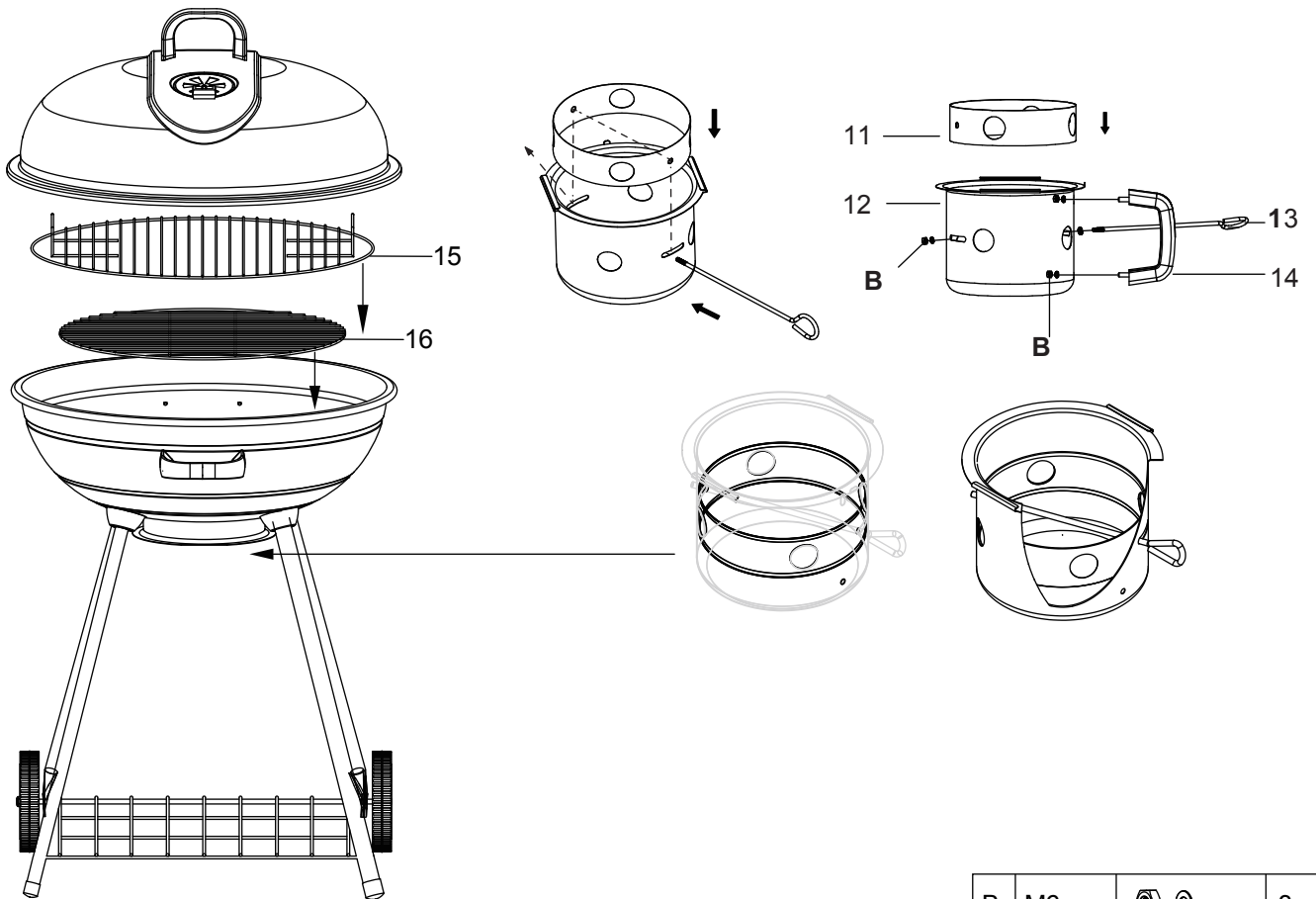
Assembly Instructions



Note: Tighten all the screws

E.	M8	 	2sets
----	----	---	-------

5



B.	M6	 	3sets
----	----	---	-------

6

Operating Instructions



WARNING **For Your Safety**

1. Do not touch the cooking grate by hand when HOT.
2. This grill will become very hot. Do not move it during operation. Do not use indoors!
3. Do not use spirit, petrol or comparable fluids for lighting or re-lighting!
4. Keep children and pets away.

Attention! This grill is designed for use only with quality charcoal briquette, lump charcoal and cooking wood.

Lighting

1. Open lid and vents.
2. Make sure ash catcher is empty.
3. Remove cooking grate.
4. Arrange and light fuel per instructions on fuel package.

Direct Cooking

1. While wearing protective gloves, carefully spread coals evenly across grid with a long handle tool.
2. Carefully replace cooking grate.
3. Place food on cooking grate.
4. Cook with lid open or closed.

Indirect Cooking – Ideal for Roasts

1. While wearing protective gloves, carefully spread coals into a donut shape with a long handle tool.
2. Place a metal tray in center of donut to catch drippings.
3. Carefully replace cooking grate.
4. Place food on cooking grate directly over the metal pan.
5. Cook with lid closed.

Tips for Better Cookouts and Longer Product Life

1. Store fuel in a waterproof container away from sources of ignition.
2. Use a charcoal chimney for fast and easy startups.
3. Spray or coat cooking surfaces with vegetable oil before cooking to avoid sticking.
4. Place vegetables or delicate foods into aluminum foil pouches.
5. Use a quality grill brush after each event to keep cooking surfaces clean and rust free.
6. Remove all ash and dispose of properly after each use.
7. Once grill is cool, cover with a quality grill cover (not included) that is properly sized to your unit.

Cleaning and Care

Caution:

1. All cleaning and maintenance should be done when grill is cool.
2. DO NOT clean any grill part in a self-cleaning oven. The extreme heat will damage the finish.
3. Abrasive cleaners will damage this product.
4. Never use oven cleaner to clean any part of grill.

Cleaning Surfaces

1. Wipe surfaces clean with mild dishwashing detergent or baking soda.
2. For stubborn surfaces use a citrus based degreaser and a nylon scrubbing brush.
3. Rinse clean with water.

Warranty Information

1-YEAR LIMITED WARRANTY

This appliance has been manufactured under the highest standards of quality and workmanship. Shinerich Industrial Ltd warrants, to the original consumer/purchaser, that all aspects of this product will be free of defects in material and workmanship for one (1) year from the date of purchase shown on the purchaser's receipt. Please retain your sales receipt as proof of purchase might be required or requested. This limited warranty shall be limited to the replacement of parts, which prove defective under normal use and service and which Shinerich Industrial determines, at their reasonable discretion, to be defective. A replacement for any defective part will be supplied free of charge for installation by the consumer.

This limited warranty does not cover defects or damage caused by over-heating, modification, abuse, improper use, installation, storage or maintenance. The limited warranty also does not cover damage due to shipment or poor handling. Shinerich Industrial Ltd will not be responsible for labor charges and/or damage incurred in installation, repair or replacement, nor for incidental or consequential damage. This limited warranty also does not cover damage or defect caused by failure to perform routine maintenance, as described within the assembly/instruction manual. In addition, the limited warranty does not cover damage to the finish, such as scratches, dents, discoloration, rust or other weather damage, after purchase.

Shinerich Industrial is not responsible for local codes nor if any of our products are not approved for installation. Please check with your local building department or governing agencies for proper approvals before purchasing/installing. Shinerich Industrial Ltd is not responsible for the actions including negligence of the installer.

This warranty specifically excludes liability for indirect, incidental, or consequential damages. Some states do not allow the exclusions or limitation of incidental or consequential damages; so the above exclusion may not apply to you. This warranty gives you specific legal rights, and you may have other rights that vary from state to state.



Need help?
Call our toll free number

1-888-909-3888

or email

customerservice@shinerich.us