

ANIMAL BARRIER

**Stack & **Extend*



**Extendable: Combine 2 or more kits to add additional gates and expand barrier's length--hinged connectors allow use on beds made of 4' boards.








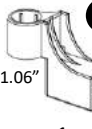










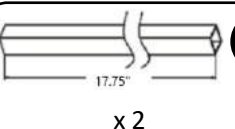
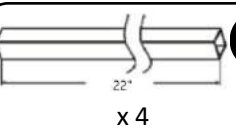
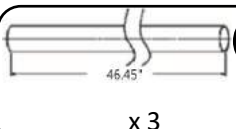
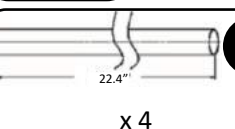


*Stackable – combine or more kits to create as high a barrier as needed



RAISED BED SOLD SEPARATELY

Each kit will protect a 4ft. x 4ft. garden to a height of 2 feet. Additional kits provide more protection by increasing the length or height of the basic 4ft x 4ft x 2ft high module..

KIT CONTAINS:

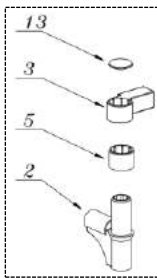
 x 2	 x 4	 x 1	 x 1	 x 2	 x 1	 x 1	 x 1
 x 4	 x 1	 x 2	 x 1	 x 4	 x 50	 x 1	
 x 2	 x 2	 x 4	 x 3				
 x 4	 x 4	 x 1	Use this part only if joining 2 or more kits to extend animal barrier				

ASSEMBLY INSTRUCTIONS

Your animal barrier kit goes together by sliding the ends of the metal tubes into the plastic connectors to create a frame, then zip-tying netting to the frame.

STEP 1: BUILD THE LEFT GATE

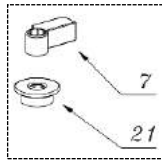
FIRST: Use connectors **2**, **5**, **3**, & **13** to form the upper left gate hinge (as shown in the box to the right). Next, insert round metal tube (**20**) into the bottom of the hinge assembly. (see main diagram)



THIRD: Add two square tubes (**18**) to create the top and the bottom edges of the left gate--Insert one square tube into the square connector of the top hinge and another into the square connector of the bottom hinge.



FOURTH: Complete the left gate frame by connecting an "L" connector (**9**) to each end of another square tube (**17**) and connecting this tube to the rest of the frame to create a rectangle.



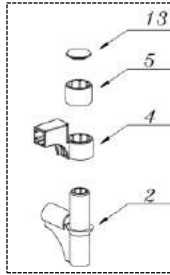
SECOND: Use connectors **7** & **21** to create the lower hinge for the left gate, as shown in the box to the right. Slide the lower hinge about 6" past the bottom end of metal tube (**20**).

FIFTH: Using zip ties (**14**), attach one of smaller pieces of netting (**16**) to all of the tubes of the gate frame. (See diagram in **Step 5** of the instructions).

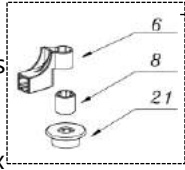
ASSEMBLY INSTRUCTIONS – *continued*

STEP 2: BUILD THE RIGHT GATE

FIRST: Use connectors **2, 4, 5, & 13** to form the upper right gate hinge (as shown in the box to the right). Next, insert round metal tube (**20**) into the bottom of of the hinge assembly. (see diagram in the small box.)



SECOND: Use connectors **6, 8 & 21** to create the lower hinge for the right gate, as shown in the box to the right. Slide the lower hinge about 6" past the bottom end of metal tube (**20**).

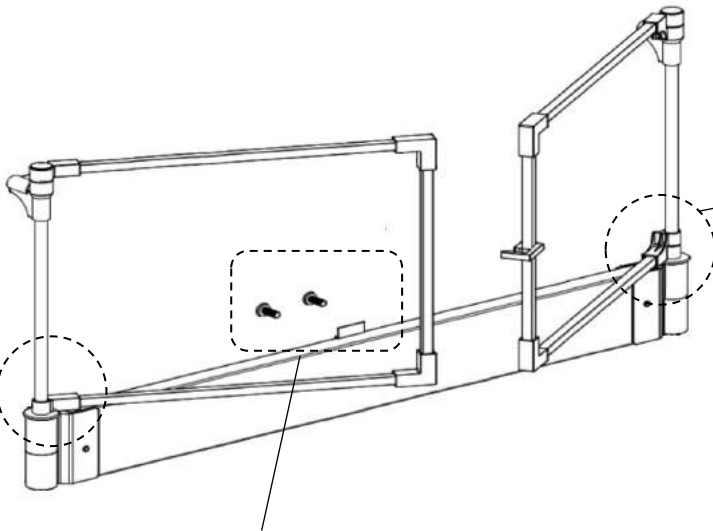


THIRD: Add two square tubes (**18**) to create the top and the bottom of the right gate frame. Insert one square tube into the square connector of the top hinge and another into the square connector of the bottom hinge.

FOURTH: Add an "L" connector (**9**) to each end of square tube (**17**, which has the gate-latch) with the L connectors opening in the opposite direction from the gate latch.

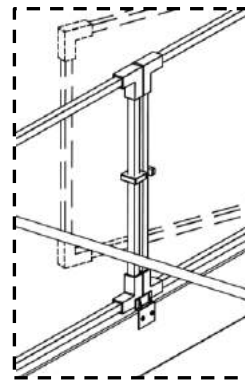
FIFTH: Finish the right gate frame by connecting this tube to the rest of the frame to create a rectangle.

STEP 3: Attach the gates to the raised bed boards



Second: Install gate stopper (**12**) with screws (**11**) on the inner side of the board to prevent the gate from swinging inward

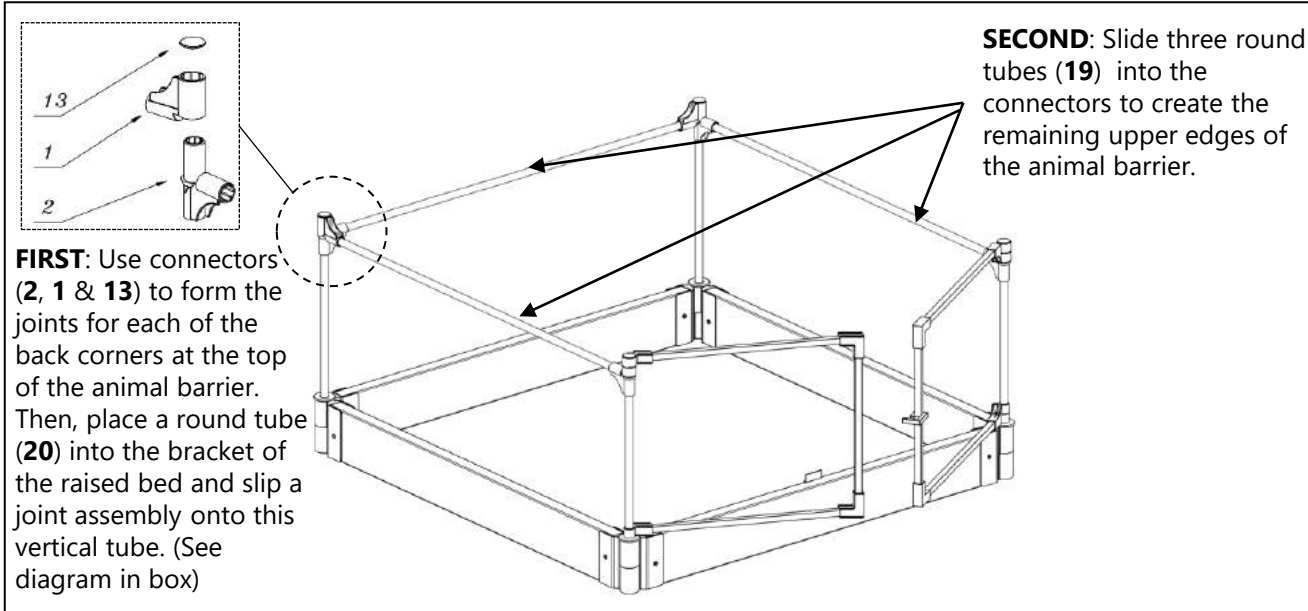
FIRST: Slide the round tubes at the bottom of each gate section into the bracket connecting the raised bed boards. (You may need to remove the cap on top of these brackets-- the cap will be replaced with the cap on the gate assembly (**Part 21**))



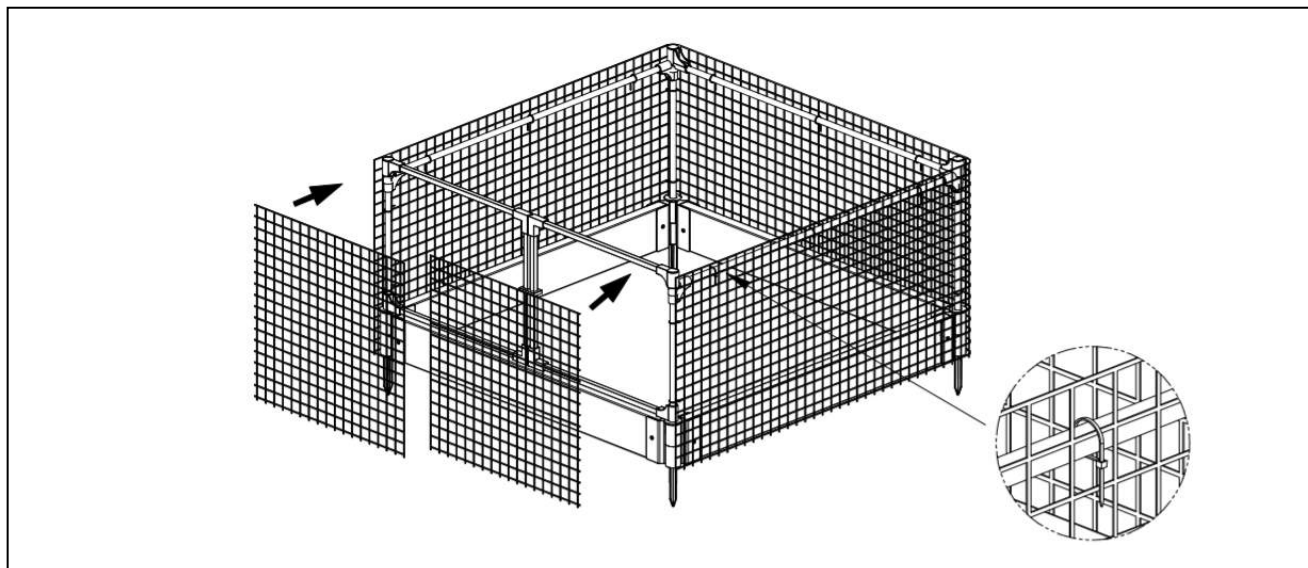
View from the inner side of the board.

ASSEMBLY INSTRUCTIONS – *continued*

STEP 4: Attach rest of framework to gate frame



STEP 5: APPLY NETTING

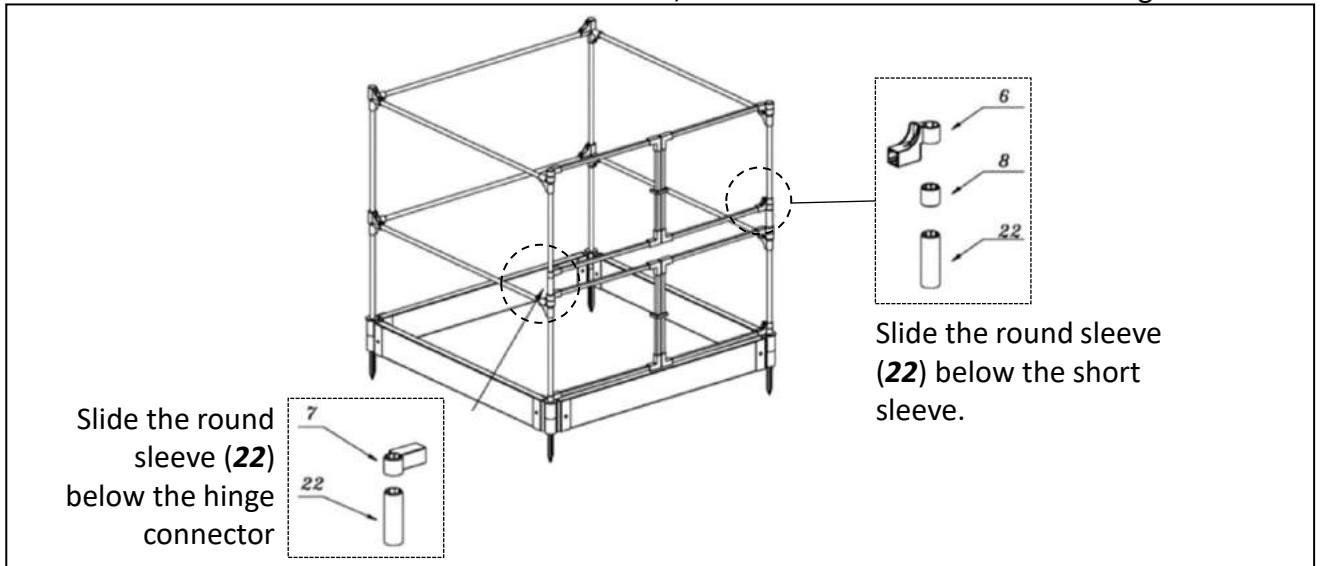


Apply the netting to both the vertical and horizontal tubes of the gates and main frame using zip ties. Attach the top of the netting flush with the upper tubes so the netting hangs over your raised bed.

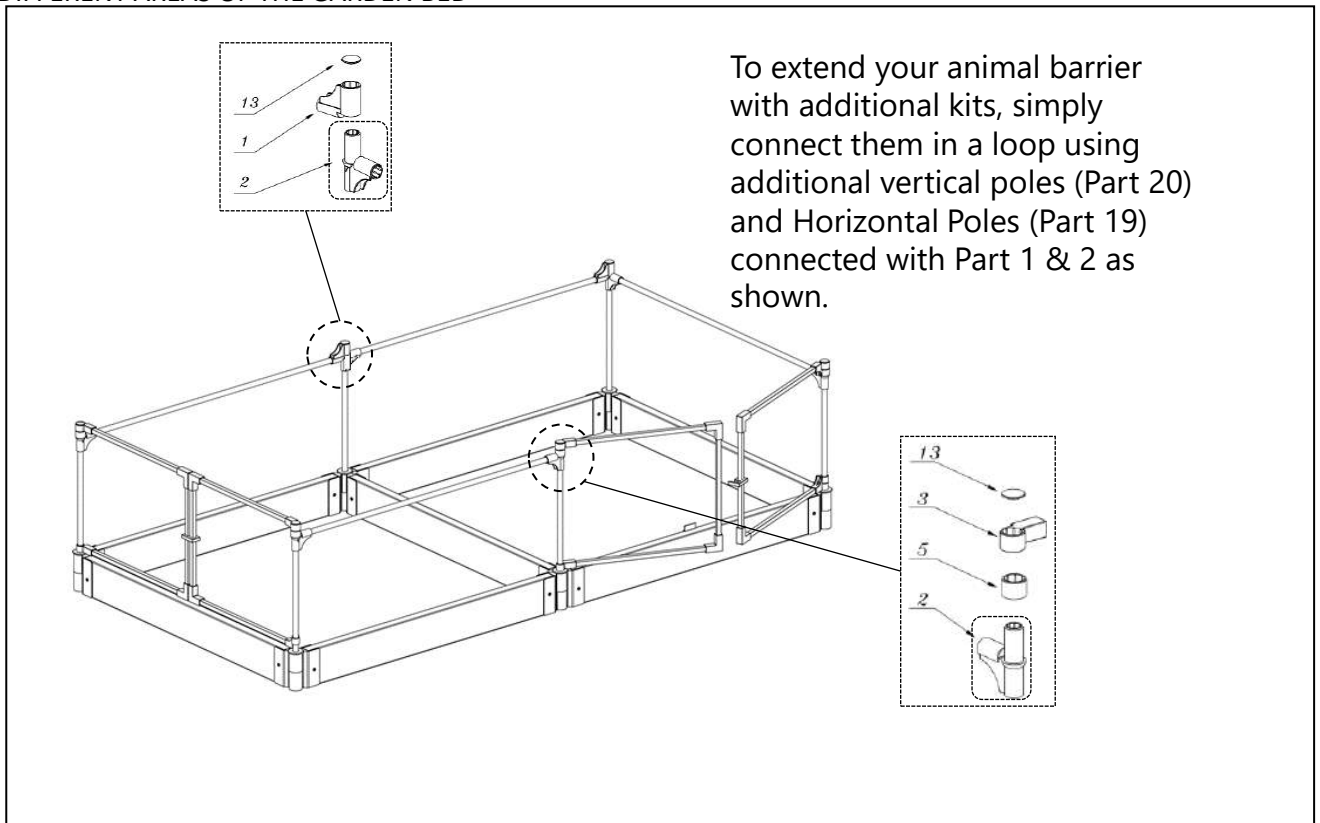
JOINING MULTIPLE ANIMAL BARRIER KITS

Stacking kits to make a higher barrier – Assemble the kit for the upper level in the same way as for the lower level except, before installing the gate assemblies, slide a round sleeve, (Part 22) onto the corner post of the gate, below the gate hinges.

NOTE: Each Animal Barrier kit contains one Part 22, which is not needed unless stacking kits.

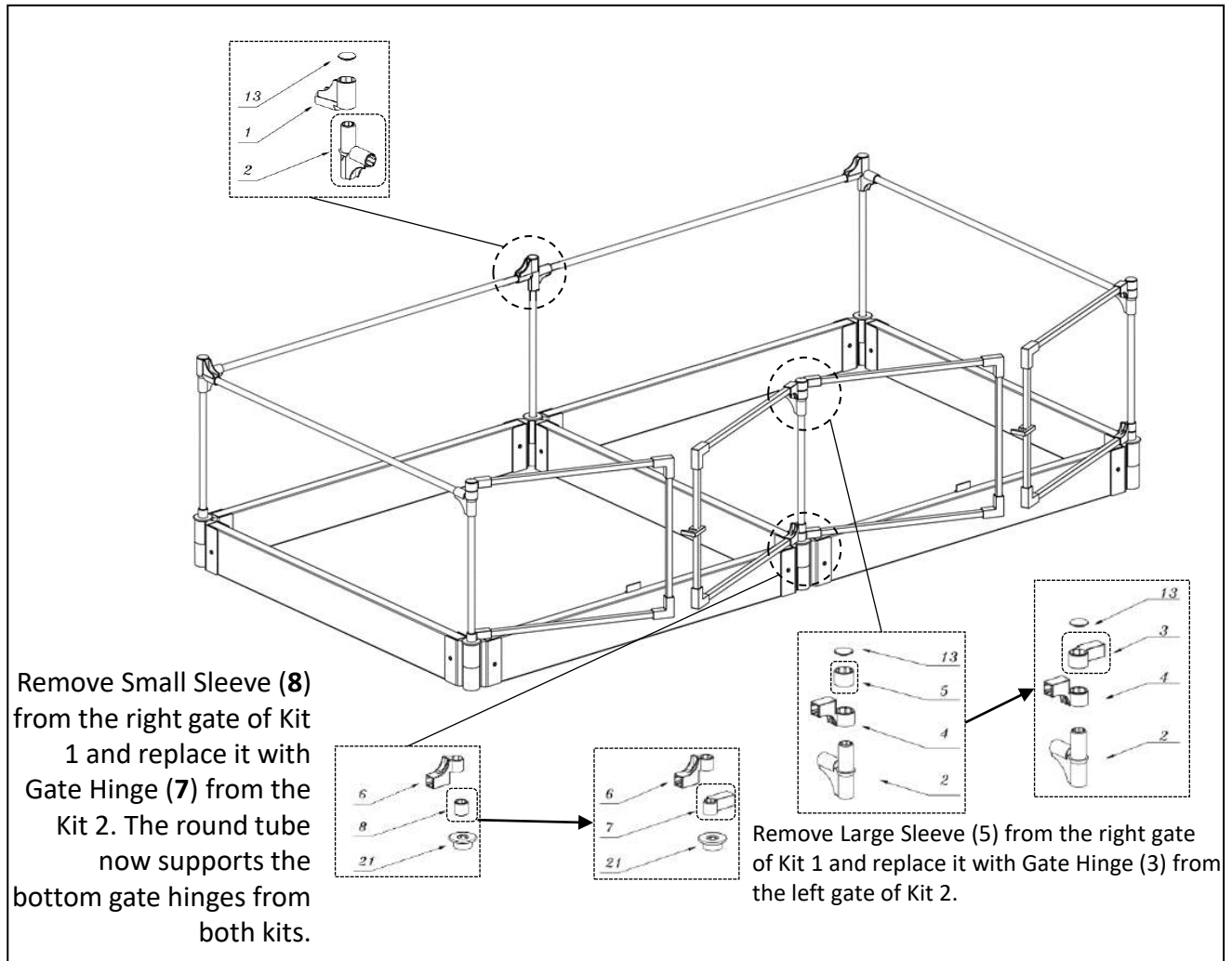


EXPANDING BARRIER AREA WITH MULTIPLE KITS - EXTENSION OPTION 1: PLACING GATES PLACED IN DIFFERENT AREAS OF THE GARDEN BED



JOINING MULTIPLE ANIMAL BARRIER KITS - (continued)

EXTENSION OPTION 2: PLACING THE GATES NEXT TO EACH OTHER



NOTE: When installing an extension kit on the left side of the Kit 1, instead of on the right side as shown in the diagram, Large Sleeve (5) from the right gate of Kit 1 will be replaced with Gate Hinge (4) from the right gate of Kit 2.