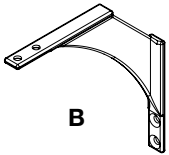


Tools and Items Needed

- Power Drill
- 1/8" Drill Bit, T20 Torx Bit, #2 Phillips Bit, 1/4" Slotted Bit
- Rubber Mallet
- Miter Saw
- Pencil
- Tape Measure
- Eye & Ear Protection
- Clamp

Parts included

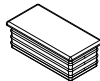
- A.** Gate Stile
- B.** Gate Gusset Brace
- C.** Gusset Screw
- D.** Cap



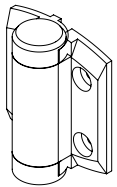
B



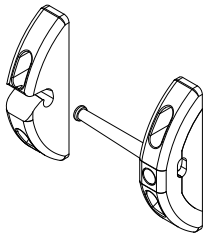
C



D



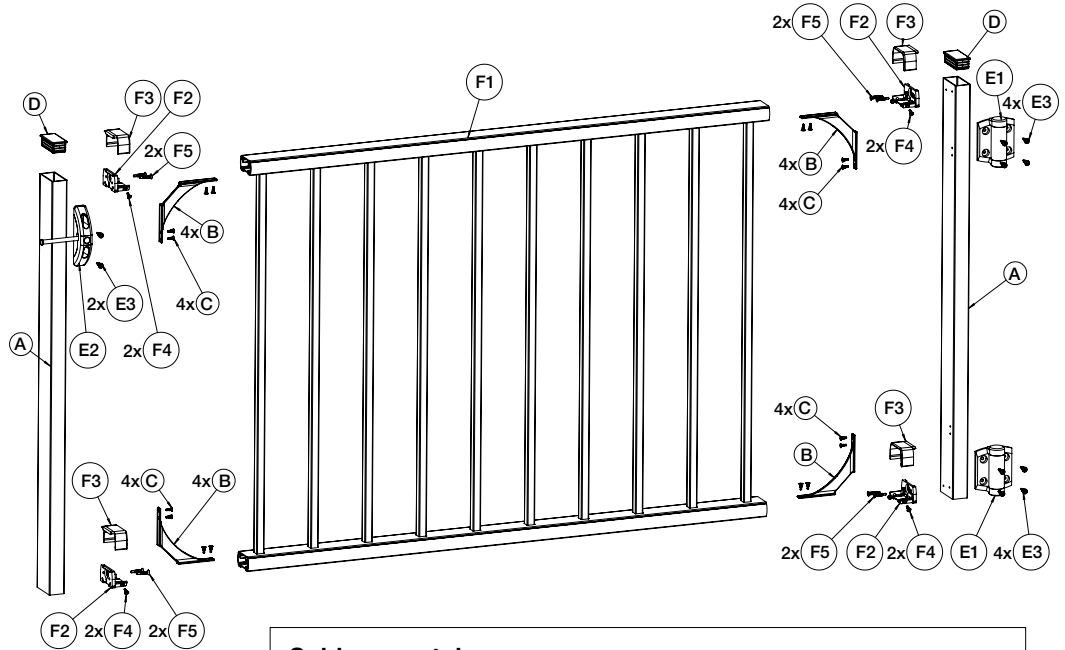
E1 - Hinge



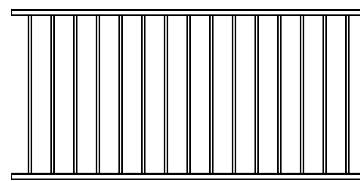
E2 - Latch



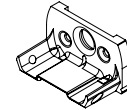
**E3 - Hinge/
Latch Screw**



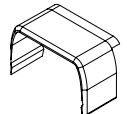
Sold separately:



F1 - Aluminum Rail Panel



**F2 -
Bracket
Base**



**F3 -
Bracket
Cap**



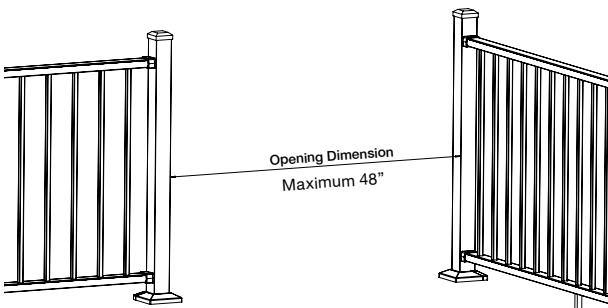
**F4 - Rail
Bracket to
Rail Screw**



**F5 Rail
Bracket to
Post Screw**

Step 1. Measure Span

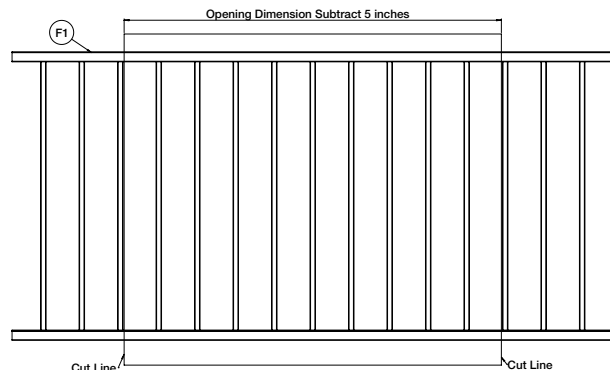
- Measure the distance between the faces of the deck mounted railing posts. Maximum span for this gate kit is 48".



Step 2. Cut rail panel to size

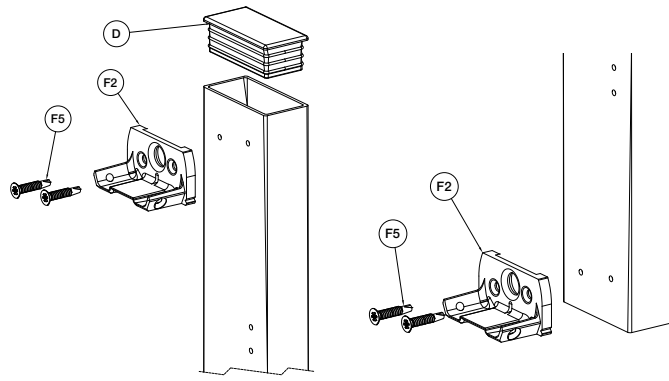
- Subtract 5" from the span measured in the previous step. Locate and mark a section of the rails to this dimension, with equal spacing on both ends to the baluster locations.

- **IMPORTANT:** If the mark is less than 2" to the first baluster hole, you must shift the rail to one side until the gaps are equal and greater than 2".
- Use a miter saw equipped to cut aluminum to cut the rails on these marks.



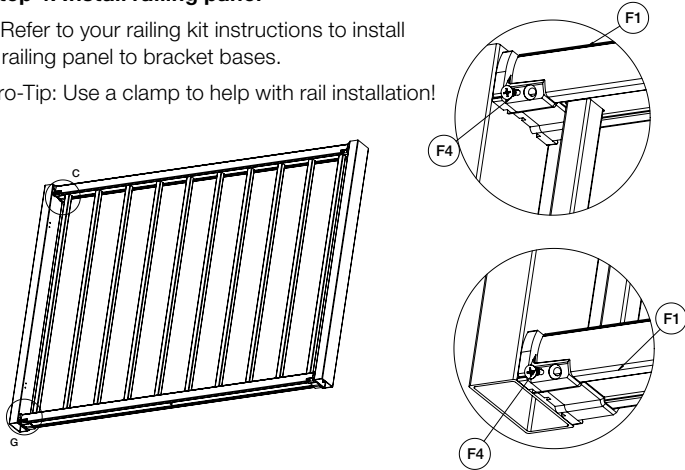
Step 3. Install Caps and Bracket Bases

- Insert the cover caps into the top of the gate jamb posts.
- Use a rubber mallet if necessary.
- Align bracket base mounting holes with the pre drilled holes on the Gate Jamb Post. Attach using 1" screws supplied in railing kit.
- Repeat for all four bracket bases.



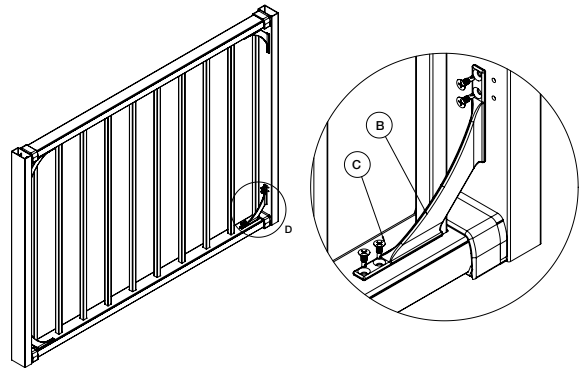
Step 4. Install railing panel

- Refer to your railing kit instructions to install railing panel to bracket bases.
- Pro-Tip: Use a clamp to help with rail installation!



Step 5. Install Gate Corner Gussets

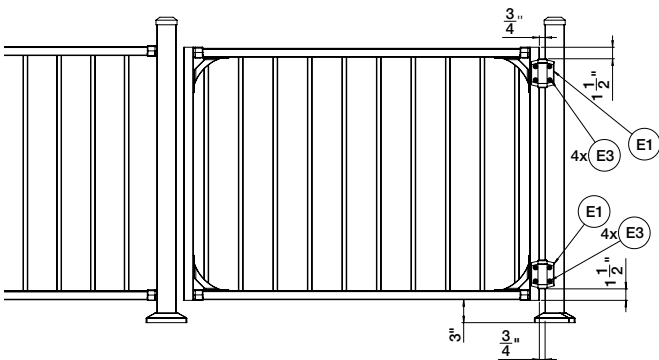
- Attach one arm of gate corner gusset to the pre-drilled holes on the gate jamb posts using the supplied 1/2" painted screws.
- Using a 1/8" drill bit, pre-drill the railing using the remaining mounting holes on the gate corner gusset as a guide.
- Attach the other arm of the gate corner gusset to the rail using the supplied 1/2" painted screws.



Step 6. Install Gate

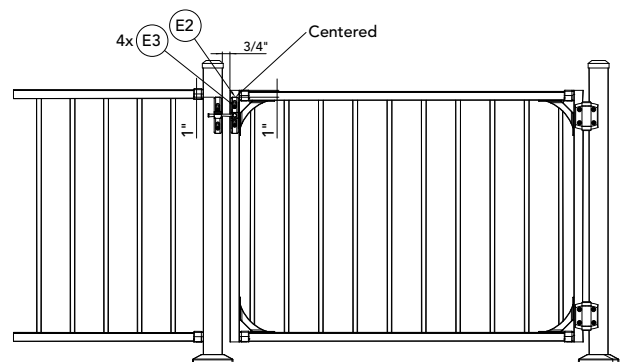
- Determine gate opening direction and latch location.
- Attach the hinges 1-1/2" from the end of the gate jamb posts using the supplied screws.
- Position gate and attach the hinges to the railing post using a 1/8" pilot hole and supplied screws.

Note: Gap between the gate and the railing posts should be approx. 3/4"



Step 7. Install Latch

- Determine desired latch location
- Using a 1/8" pilot hole and supplied screws, Install latch according to the installation instructions included with the latch assembly.



THE DIAGRAMS AND INSTRUCTIONS IN THIS BROCHURE ARE FOR ILLUSTRATION PURPOSES ONLY AND ARE NOT MEANT TO REPLACE A LICENSED PROFESSIONAL. ANY CONSTRUCTION OR USE OF THE PRODUCT MUST BE IN ACCORDANCE WITH ALL LOCAL ZONING AND/OR BUILDING CODES. THE CONSUMER ASSUMES ALL RISKS AND LIABILITY ASSOCIATED WITH THE CONSTRUCTION OR USE OF THIS PRODUCT. THE CONSUMER OR CONTRACTOR SHOULD TAKE ALL NECESSARY STEPS TO ENSURE THE SAFETY OF EVERYONE INVOLVED IN THE PROJECT, INCLUDING, BUT NOT LIMITED TO, WEARING THE APPROPRIATE SAFETY EQUIPMENT. EXCEPT AS CONTAINED IN THE WRITTEN LIMITED WARRANTY, THE WARRANTOR DOES NOT PROVIDE ANY OTHER WARRANTY, EITHER EXPRESS OR IMPLIED, AND SHALL NOT BE LIABLE FOR ANY DAMAGES, INCLUDING CONSEQUENTIAL DAMAGES.