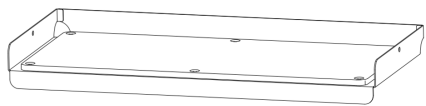
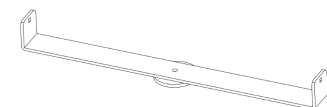

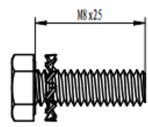
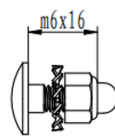


Parts List

1		Qty 1
2		Qty 1
3		Qty 1

Hardware

Step 1	M8X25 (with 1 washer)		Qty 1
Step 2	M6X16 (with 1 M8 washer, 1 nut and 1 cap)		Qty 2

STEP 1

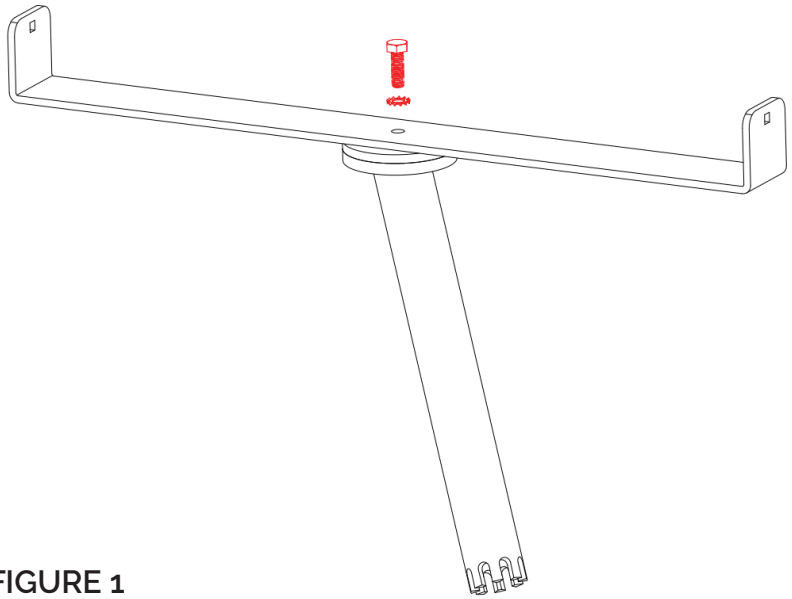


FIGURE 1

STEP 2

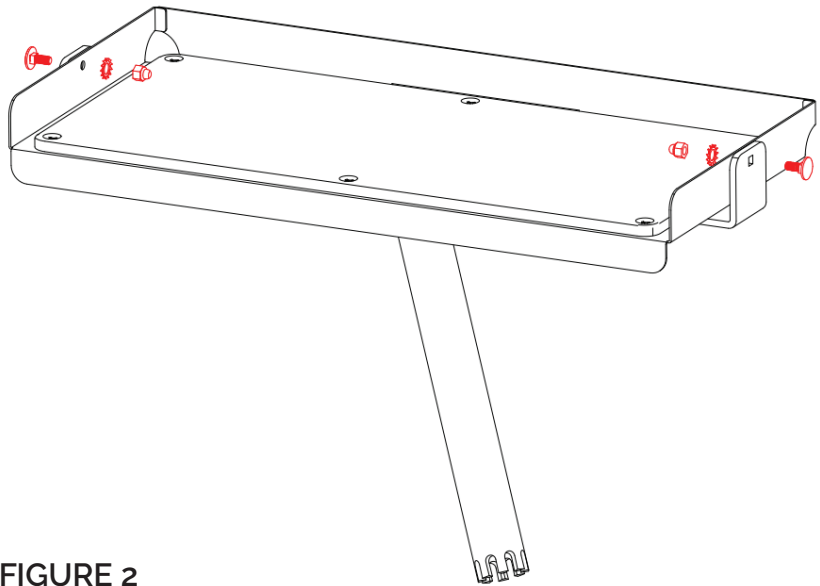


FIGURE 2

LIMITED WARRANTY

(A) Warranty

MAXXTUFF warrants to the original retail purchaser that all products manufactured by it are free from defects in material & manufacturing at the time of shipment for twelve (12) months from the date of purchase. MAXXTUFF will repair or replace any part found defective if the unit claimed to be defective is returned to MAXXTUFF, postage prepaid, within the warranty period.

This warranty shall not apply to any product which has been subjected to misuse, misapplication, neglect (including but not limited to improper maintenance), accident, improper installation or assembly, modification (including but not limited to use of unauthorized parts or attachments), adjustment, or repair. THE FOREGOING IS IN LIEU OF ALL OTHER WARRANTIES, WHETHER EXPRESS OR IMPLIED (INCLUDING THOSE OF MERCHANTABILITY & FITNESS OF ANY PRODUCT FOR A PARTICULAR PURPOSE), & OF ANY OTHER OBLIGATION OR LIABILITY ON THE PART OF THE COMPANY.

(B) LIMITATION OF LIABILITY

It is expressly understood that MAXXTUFF's liability for its products, whether due to breach of warranty, negligence, strict liability, or otherwise, is limited to the repair of the product, as stated above, & MAXXTUFF will not be liable for any other injury, loss, damage or expense, whether direct or consequential, including but not limited to loss of use, income, profit, or damage to material, arising in connection with the sale, installation & efficiency of the product. It shall not be obligated to make such alterations or modifications to products already in service.