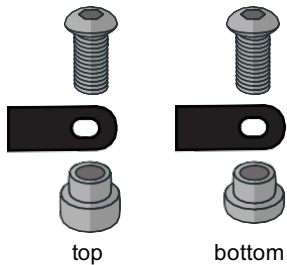


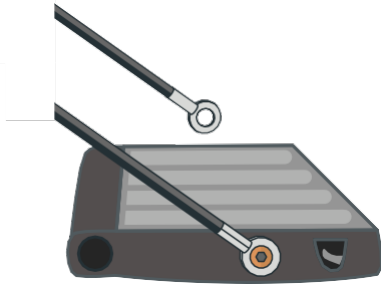
1.

Layout your Gate King® set, washers, bolts, and spacers. Below you will see the correct layout for assembly. Thicker spacers go on top arms, and thinner spacers go on bottom arms.



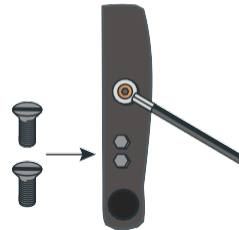
2.

Lower tailgate and remove one side of the attached cables. Leave the other side attached to support the tailgate during installation.



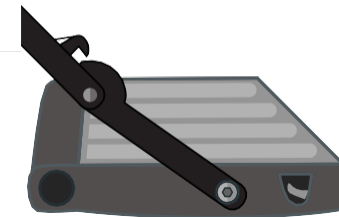
3.

On Gladiator there are 2 bolts (stock cable mount guide and hex) below the hole for the tailgate cables on the truck. You will need to unscrew these and use the bolt and screw provided (per side). This is to ensure the Gate King® fits properly when your tailgate is closed.



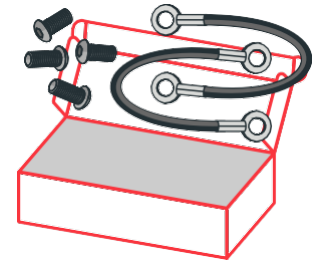
4.

Attach Gate King®. Screw each side in as shown below, making sure the hammer is on the top bar facing the inside of the tailgate and following the layout in step 1.



5.

Want to keep your old cables and hardware? Our box is the perfect way to store your old tailgate cables and screws!



WARNING

Use of GATE KING® is at your own risk.

We recommend using the included pivot clamp around your tailgate's hinge/pivot point.

Be sure to carefully read and follow the provided instructions when installing this product. Failure to do so could cause possible damage.

After installing, re-check to ensure that you have followed the instructions properly.

Some tailgates may become off-center over time due to age, uneven roads, and continued use of truck. Please note that you may have to adjust for this by adding washers (not included) during the installation.

Not intended for off-road use.

Tailgate load should not exceed 150 lbs. / 68kgs.

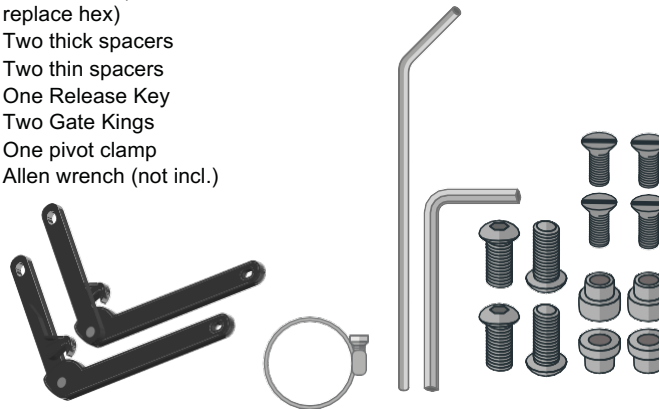
Both locking pins must be engaged when using the Gate King®.

Cargo must be secured at all times.

Apply lubricant to clean and maintain.

WHAT'S INCLUDED

- Two bolts (10mm on top)
- Four bolts (8mm bottom & mount guide)
- Two screws (#10 replace hex)
- Two thick spacers
- Two thin spacers
- One Release Key
- Two Gate Kings
- One pivot clamp
- Allen wrench (not incl.)



WARRANTY

Castel Innovations warrants this product to be free from defects in material and workmanship for ONE (1) YEAR FROM DATE OF PURCHASE, provided there has been normal use and proper maintenance. This warranty applies to the original purchaser only. All remedies under this warranty are limited to the repair or replacement of the product itself, or the repair or replacement of any component part thereof, found by the manufacturer to be defective within the time period specified. The decision to repair or replace is wholly within the discretion of the manufacturer.

If you have a warranty claim, first you must call our manufacturer at the number below for instructions. You must retain proof of purchase and submit a copy with any items returned for warranty work. Upon completion of warranty work, if any, we will return the repaired or replaced item or items to you freight prepaid. Damage to our products caused by accidents, fire, vandalism, negligence, misinstallation, misuse, Acts of God, corrosion, or by defective parts not manufactured by us, is not covered under this warranty. ANY IMPLIED WARRANTIES OF MERCHANTABILITY AND/OR FITNESS FOR A PARTICULAR PURPOSE CREATED HEREBY ARE LIMITED IN DURATION TO THE SAME DURATION AND SCOPE AS THE EXPRESS WRITTEN WARRANTY. OUR COMPANY SHALL NOT BE LIABLE FOR ANY INCIDENTAL OR CONSEQUENTIAL DAMAGE. Some states do not allow limitations on how long an implied warranty lasts, or the exclusion or limitation of incidental or consequential damages, so the above limitations or exclusions may not apply to you. This warranty gives you specific legal rights, and you may also have other rights that vary from state to state. FOR WARRANTY ISSUES WITH THIS PRODUCT PLEASE CALL CASTEL SUPPORT AT 1-888-284-5480.

WARNING

WHAT'S INCLUDED

WARRANTY

Use of GATE KING® is at your own risk.

We recommend using the included pivot clamp around your tailgate's hinge/pivot point.

Be sure to carefully read and follow the provided instructions when installing this product. Failure to do so could cause possible damage.

After installing, re-check to ensure that you have followed the instructions properly.

Some tailgates may become off-center over time due to age, uneven roads, and continued use of truck. Please note that you may have to adjust for this by adding washers (not included) during the installation.

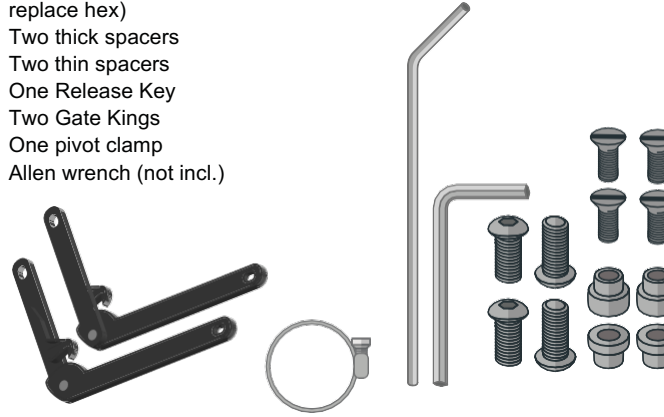
Not intended for off-road use.

Tailgate load should not exceed 150 lbs. / 68kgs.

Both locking pins must be engaged when using the Gate King®.

Cargo must be secured at all times.

- Two bolts (10mm on top)
- Four bolts (8mm bottom & mount guide)
- Two screws (#10 replace hex)
- Two thick spacers
- Two thin spacers
- One Release Key
- Two Gate Kings
- One pivot clamp
- Allen wrench (not incl.)



Castel Innovations warrants this product to be free from defects in material and workmanship for ONE (1) YEAR FROM DATE OF PURCHASE, provided there has been normal use and proper maintenance. This warranty applies to the original purchaser only. All remedies under this warranty are limited to the repair or replacement of the product itself, or the repair or replacement of any component part thereof, found by the manufacturer to be defective within the time period specified. The decision to repair or replace is wholly within the discretion of the manufacturer.

If you have a warranty claim, first you must call our manufacturer at the number below for instructions. You must retain proof of purchase and submit a copy with any items returned for warranty work. Upon completion of warranty work, if any, we will return the repaired or replaced item or items to you freight prepaid. Damage to our products caused by accidents, fire, vandalism, negligence, misinstallation, misuse, Acts of God, corrosion, or by defective parts not manufactured by us, is not covered under this warranty. ANY IMPLIED WARRANTIES OF MERCHANTABILITY AND/OR FITNESS FOR A PARTICULAR PURPOSE CREATED HEREBY ARE LIMITED IN DURATION TO THE SAME DURATION AND SCOPE AS THE EXPRESS WRITTEN WARRANTY. OUR COMPANY SHALL, NOT BE LIABLE FOR ANY INCIDENTAL OR CONSEQUENTIAL DAMAGE.

Some states do not allow limitations on how long an implied warranty lasts, or the exclusion or limitation of incidental or consequential damages, so the above limitations or exclusions may not apply to you. This warranty gives you specific legal rights, and you may also have other rights that vary from state to state.

FOR WARRANTY ISSUES WITH THIS PRODUCT PLEASE CALL CASTEL SUPPORT AT 1-888-284-5480.

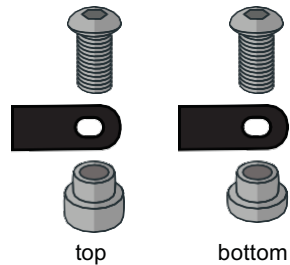
INSTALLATION MANUAL

GATE KING®

GLADIATOR #611920

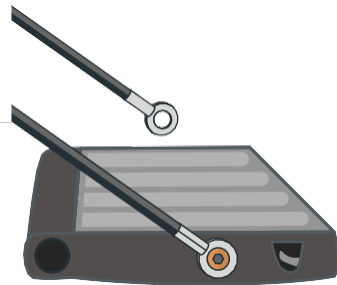
1.

Layout your Gate King® set, washers, bolts, and spacers. Below you will see the correct layout for assembly. Thicker spacers go on top arms, and thinner spacers go on bottom arms.



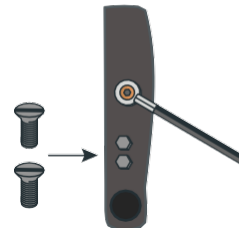
2.

Lower tailgate and remove one side of the attached cables. Leave the other side attached to support the tailgate during installation.



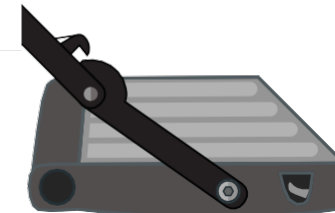
3.

On Gladiator there are 2 bolts (stock cable mount guide and hex) below the hole for the tailgate cables on the truck. You will need to unscrew these and use the flathead screws provided. This is to ensure the Gate King® fits properly when your tailgate is closed.



4.

Attach Gate King®. Screw each side in as shown below, making sure the hammer is on the top bar facing the inside of the tailgate and following the layout in step 1.



5.

Want to keep your old cables and hardware? Our box is the perfect way to store your old tailgate cables and screws!

