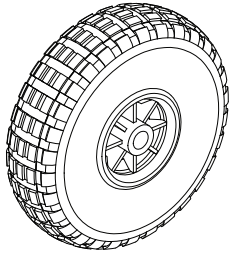
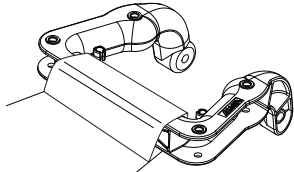


Parts List

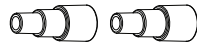
Tools Required
2 Adjustable
Crescent Wrenches
Phillips Screwdriver



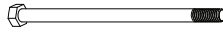
A - wheel (1)



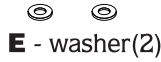
B - front frame (1)



C - wheel spacers (1)



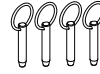
D - long bolt (1)



E - washer (2)



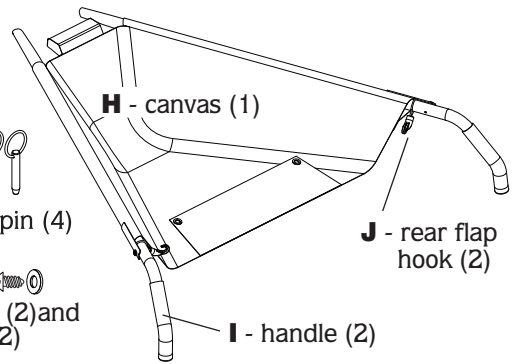
F - nut (1)



G - detent pin (4)



K - washer (2) and screw (2)

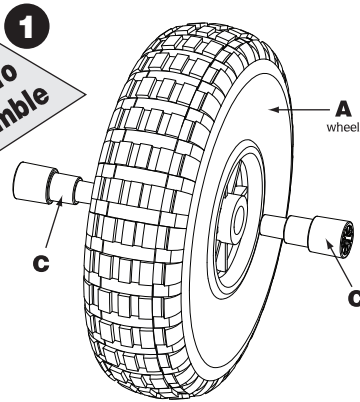


H - canvas (1)

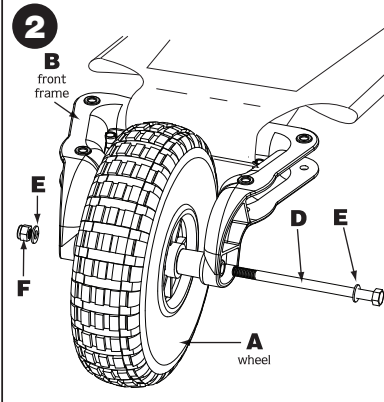
J - rear flap hook (2)

I - handle (2)

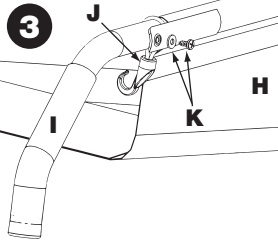
Easy To Assemble



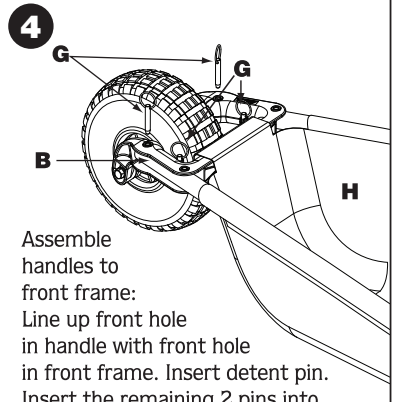
Insert wheel spacers into wheel



Assemble wheel to front frame.

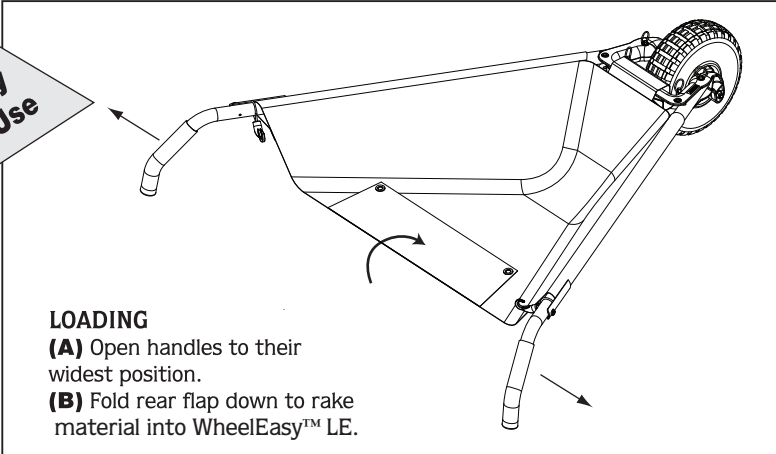


Unroll handles and rest on ground as shown. Capture rear flap hooks between canvas and screw holes. Use screws and washers to attach canvas to handles.

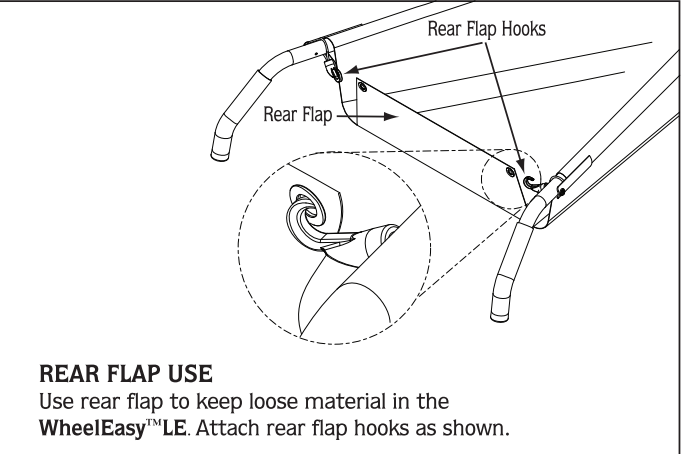


Assemble handles to front frame: Line up front hole in handle with front hole in front frame. Insert detent pin. Insert the remaining 2 pins into the pin holders for future use.

Easy To Use

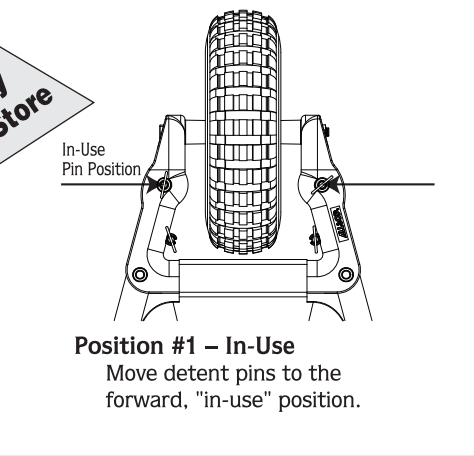


LOADING
(A) Open handles to their widest position.
(B) Fold rear flap down to rake material into WheelEasy™ LE.

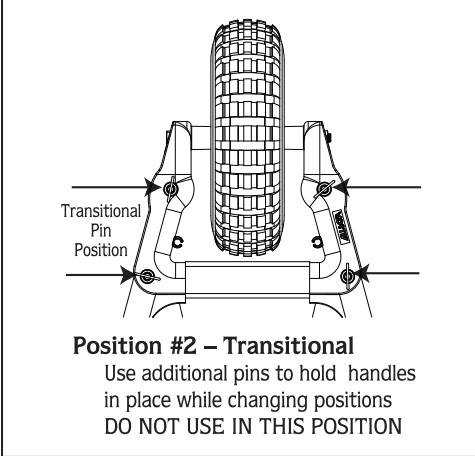


REAR FLAP USE
Use rear flap to keep loose material in the WheelEasy™ LE. Attach rear flap hooks as shown.

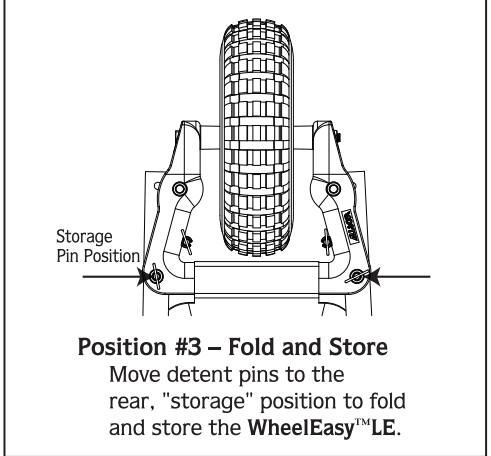
Easy To Store



Position #1 - In-Use
Move detent pins to the forward, "in-use" position.



Position #2 - Transitional
Use additional pins to hold handles in place while changing positions
DO NOT USE IN THIS POSITION



Position #3 - Fold and Store
Move detent pins to the rear, "storage" position to fold and store the WheelEasy™ LE.