



OWNER'S GUIDE

CMN2000W / CMN3000W / CMN4000W / CMN5000W

Please read this manual thoroughly before installing and operating your Inverter. This manual contains information you need to obtain the performance required for your application. Keep this manual for future reference. The Cummins™ Bluetooth® inverter is the first of its kind in the market! This inverter has high starting capability and max efficiency up to 90%.

The Cummins™ inverter can connect with all Android™ and iOS smartphones. Our phone APP can help you check and monitor the battery voltage, output power, and product temperature. Set up the protections such as under voltage, over voltage, overload, and over-temperature at a distance! Also included are personal settings and battery testing, with a user friendly experience.

WELCOME TO THE FUTURE OF POWER INVERTERS!

WARNINGS, CAUTIONS, AND NOTES

It's very important that any operator and installer of this inverter read and follow all **WARNINGS, CAUTIONS, AND NOTES** and all installation and operation instructions, in particular, comply with **WARNINGS** (possibility of serious injury or death), **CAUTIONS** (possibility of damage to the inverter and/or other equipment), and **NOTES** (included to assist you in achieving the maximum performance and longest working life from this advanced-design inverter).

WARNINGS: INVERTER OUTPUT

This heavy-duty device produces voltages similar to commercial AC power.

- Danger of shock or electrocution; treat inverter output the same as commercial AC power.
- Do not use the inverter near flammable materials or in any locations that may accumulate flammable fumes or gases. This is an electrical device that can briefly spark when electrical connections are made or broken.
- Do not allow water or other liquids to contact the inverter.
- Do not use appliances with damaged or wet cords.

- Do not connect to transfer switch.
- Do not connect to household outlets.

CAUTIONS: INVERTER OPERATING ENVIRONMENT

- Surrounding air temperature should be between 32°F-104°F.
- Keep the inverter away from direct sunlight, if possible.
- Keep the area surrounding the inverter clear to ensure free air circulation around the unit. Do not place items on or over the inverter during operation. The unit will shut down if the internal temperature gets too hot. Restart the inverter after it cools.
- Your inverter will only operate from a 12V power source. Do not attempt to connect the inverter to any other power source, including any AC power source. Do not reverse the DC input polarity-this will void the warranty.

APPLIANCE CAUTIONS

- DO NOT plug in battery chargers for cordless power tools if the charger carries a warning that dangerous voltages are present at the battery terminals.
- Certain chargers for small nickel-cadmium or nickel-metal-hydride batteries can be damaged if powered by this inverter. Two types of appliances are susceptible to damage: Small, battery-operated appliances such as flashlights, cordless razors, and toothbrushes that plug directly into an AC receptacle.
- Some fans with synchronous motors may slightly increase in speed (RPM) when powered by the inverter. This is not harmful to the fan or to the inverter.
- Use safety approved extension cords rated at 15A or higher.
- GFCI devices may not work with modified sine wave (MSW) power.
- This inverter is not tested for use with medical equipment.
- Do not use power strips with surge protection.

- This inverter is not tested for use in marine applications.
- In the event of a continuous audible alarm or automatic shutdown, turn the inverter OFF immediately. Do not restart the inverter until the source of the problem has been identified and corrected.
- When using your Cummins™ inverter to power lead acid battery chargers (like those used for a car, boat or motorcycle) with modified sine wave, check the temperature of the battery charger after 10 minutes. If the battery charger becomes hot, immediately disconnect it from the inverter and allow it to cool before resuming the charging operation.

WARNING: DANGER OF BATTERY EXPLOSION – INSTALL A FUSE

Batteries can deliver very high levels of current that can vaporize metal, start fires and cause explosions. Cummins™ recommends installing ANL type fuse/holder or circuit breaker close to the positive battery bank terminal. This fuse protects the batteries from accidental DC cable shorts, which can cause batteries to explode. ANL fuses and fuse holders are available at most hardware supply stores.

CAUTIONS

- Loose connections can result in a severe decrease in voltage that can cause damage to cables & insulation.
- Failure to make correct polarity (Pos/Neg) connection between the inverter and the battery bank can result in blowing fuses in the inverter & can permanently damage the inverter. Damage caused by reversed polarity is not covered under the warranty.
- Making the connection to the Positive terminal may cause a spark as a result of current flowing to charge capacitors within the inverter. This is a normal occurrence.

- Because of the possibility of sparking, it is extremely important that both the inverter and the 12-volt battery be positioned far from any possible source of flammable fumes or gases. Failure to heed this warning could result in fire or explosion.
- Operating the inverter without correctly grounding the unit may result in an electrical shock.

GETTING STARTED

When some tools turn on, there is an initial surge of power to start. This surge of power is referred to as the "starting load" or "peak load." Once started, the tool or appliance requires less power to operate. This is referred to as the "continuous load" in terms of power requirements. You will need to determine how much power your tool or appliance requires to start up (starting load) and its continued running power requirements (continuous load).

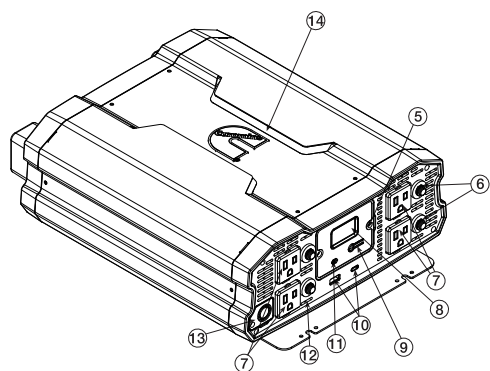
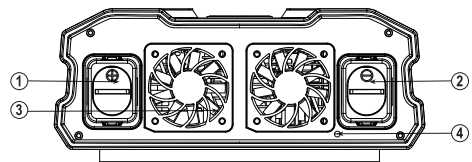
Power consumption is rated in watts or it can be calculated from Amperes (Amps). This information is usually stamped or printed on most appliances and equipment. If this information is not indicated on the appliance or equipment, check the owner's manual. For electrically sensitive equipment, contact the manufacturer to determine if the device you are using is compatible with modified sine wave AC.

Multiply: AC AMPS x 110 (AC voltage) = WATTS

This formula yields a close approximation of the continuous load of your appliance.

Multiply: WATTS x 2 = Starting Load for most appliances

This formula yields a close approximation of the starting load of most appliances. Exceptions are motorized appliances such as pumps, freezers and air conditioners. These appliances can have startup loads of up to eight times the rated watts.



FEATURES

1. Positive Power Input Terminal.
2. Negative Power Input Terminal.
3. High-Speed Cooling Fans. When the temperature inside the inverter exceeds a preset limit, the cooling fan automatically turns on to cool the inverter. When the temperature reduces, the fan turns off.
4. Ground terminal.
5. Two screws to attach removable control panel.
6. Circuit breaker.
7. Four (4) standard North American AC outlets, each rated at 15 Amps.
8. Detachable LCD display which can display battery voltage, power watts and fault display.
9. ON/OFF Switch. Turn the inverter ON and OFF.
10. Standard USB output 2.4A and USB-C® output 18W.
11. Voice alarm speaker.
12. Ventilation hole.
13. AC socket.
14. Backlight. The red backlight could be controlled ON/OFF through settings in Cummins™ APP.

DETERMINING THE DC POWER REQUIREMENTS

Your inverter requires the input of a 12-volt battery. To calculate the approximate power in Amps for a 12-volt battery you need to know the current, or Amps required for powering the continuous AC load. A shortcut method is to divide the continuous AC load wattage by 10. For example, the continuous AC load is 3000W. The current Amperage is: 3000/10 or 300A at 12V DC. Add to the load any DC appliances that may be powered by the battery bank.

SIZING THE BATTERY

To determine the minimum battery Amp-Hour (AH) rating that you will need to operate appliances from the inverter, and any DC appliances powered by the battery, follow these steps:

1. List the maximum wattage that the inverter has to provide (as above).
2. Estimate the number of hours the appliances will be in use between battery recharges. This will vary depending on appliances. As an example, a typical home-use coffeemaker draws 500W during its brew time of 5 minutes, it maintains the temperature of the pot at about 100W. Typical use of a microwave oven is only for a few minutes. Some longer operating time appliances are lamps, TVs, computers and refrigerator/freezers.
3. Determine the total watt-hours of energy needed. Then multiply the average power consumption in watts by the number of hours of run time. For example: 2000W for 10 hours = 20,000W hours. Using the 2000W (or 200A) for 10 hours example as above, then 200A is needed for 10 hours. This provides us with the basic AH of battery that is required. Ten hours at 200A equals 2000AH. However, there are other conditions that determine actual run time.

These include:

- AC appliance load and time in use (Basic Amp Hour)
- Cable gauge and length
- Charge level of the batteries (between use, chargers have to be able to fully charge the batteries)
- Temperature of the batteries (colder batteries provide fewer Amps)
- Age and condition of the batteries (older batteries lose capacity AH)
- Compliance with turning off unnecessary AC and DC loads.

If there is any doubt about sizing the battery, it is safe to overestimate the Amp hour requirements of the battery.

Note: The type of batteries you use to power your high-power inverter is important. Operating a high-power inverter will routinely discharge batteries and they will require frequent recharging. Batteries used to start engines are not designed to repeatedly charge and discharge. We recommend using "deep-cycle" or "marine" rated batteries.

CABLE GAUGES

When connecting the inverter to a battery use the thickest stranded insulated copper wire available in the shortest length practical.

LENGTH	CMN2000W	CMN3000W	CMN4000W	CMN5000W
1ft	6AWG	4AWG	4AWG	4AWG
2ft	4AWG	4AWG	3AWG	2AWG
3ft	4AWG	2AWG	2AWG	1AWG
4ft	2AWG	2AWG	1AWG	1AWG
5ft	2AWG	1AWG	1/0AWG	2/0AWG
6ft	1/0AWG	1/0AWG	2/0AWG	2/0AWG
7ft	2/0AWG	2/0AWG	3/0AWG	3/0AWG
8ft	3/0AWG	3/0AWG	4/0AWG	4/0AWG
9ft	3/0AWG	3/0AWG	4/0AWG	4/0AWG
10ft	3/0AWG	3/0AWG	4/0AWG	4/0AWG
RECOMMENDED SIZE				
AMPERAGE	200A	300A	400A	500A

MOUNTING THE INVERTER

Your inverter should not be mounted under the hood of a vehicle. If installing in a vehicle, choose a dry, cool, ventilated area as close to the battery as practical. Before drilling any mounting holes, make sure that there are no wires, fuel lines, or tanks directly behind the surface to be drilled.

To mount the Inverter:

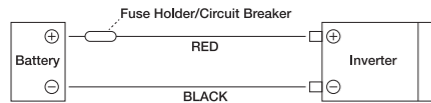
1. Inverter ON/OFF switch must be in the OFF position.
2. The inverter should be mounted horizontally.

- Position the inverter against the mounting surface and mark locations of the mounting screw openings.
- Remove the inverter and drill four (4) mounting holes.
- Fasten the inverter to the mounting surface using corrosion-resistant fasteners sized #10 or larger.

Connecting the Inverter

This inverter has two DC cable connections, one positive and one negative. The order of steps in the following procedure minimizes the danger of sparking near the battery bank.

- Prepare all cable set ends with ring terminals at the battery ends.
- Install one fuse holder with fuse on the Positive cable close to the battery bank end.
- Make sure the ON/OFF switch located on the front panel of the inverter is in the OFF (O) position.
- Ensure all appliance cords or extension cords are disconnected from the inverter.
- Connect a #10 gauge stranded insulated wire to the enclosure ground terminal and connect the free end of the wire to the vehicle's chassis or any other ground point.
- Connect the Negative cable to the Inverter's Negative (-) terminal.
- Connect the unfused cable to the Negative (-) terminal of the battery bank.
- Insulate the end of cable to be connected to the Positive (+) inverter terminal.
- Connect the Positive cable end to the Positive (+) inverter terminal.
- Connect the fused cable to the battery bank Positive (+) terminal.

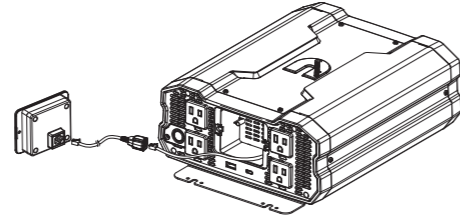


Note: Sparking is normal for the first connection.

- Make sure you have good secure connections – Do not over-tighten.
- If you need the information on the panel at a distance, you can take out the panel and connect it to a 12ft extension cord (included) or simply use the APP.

Removable Faceplate Remote Control

- Remove the screws fixing the panel (Keep the screws safe).
- Follow the diagram below to connect the panel and extension cord.



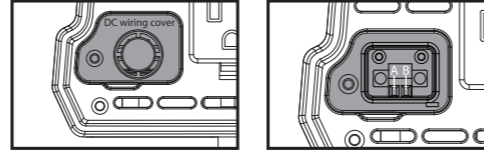
Operation

- Turn On the inverter: Press the ON/OFF switch on the front panel for 1 second.
- Turn OFF the inverter: Press the ON/OFF switch on the front panel for 1 second.
- When you have confirmed that the appliance to be operated is turned off, plug an appliance cord into one of the 110V AC Outlets on the front panel of the inverter.
- Turn ON the inverter.
- Display will show voltage and power usage.
- Turn the appliance ON.
- Plug in additional appliances and turn them ON.

- When using an extension cord from the inverter to an appliance the extension cord should not be longer than 50ft.

Inverter Ignition Control

The inverter can be wired to inhibit inverter operation in the absence of a vehicle's (or vessel's) ignition control signal. This feature can avoid unnecessary battery drain that would otherwise occur if the inverter was operated without a charging source such as the vehicle alternator.



To enable ignition control:

- Ensure that AC and DC power are both OFF.
- Ensure the vehicle's ignition is turned to OFF position. It is highly recommended to remove battery power by disconnecting the vehicle's battery cables. Refer to the vehicle's owner's guide for proper instructions on how to disconnect the battery cables.
- Locate the vehicle's ignition control wire from the vehicle's ignition circuit. This wire must be fused appropriately at no more than 5A. Refer to the vehicle's Owner's Guide for guidance.
- Using a proper screwdriver, remove the screw securing the DC wiring cover on the left hand side of the unit.
- Remove the DC wiring cover to expose the ignition control terminals of the DC wiring compartment.
- Strip the vehicle's ignition control wire and connect it to terminal Ignition Control (A or B).

- Route the ignition control wire to the left side of the display panel.
- Replace the DC wiring cover onto the DC wiring compartment. The ignition control wire should pass through the hole on the side of the DC wiring cover.

About Cummins™ Bluetooth® APP

The Main Function

- Remote control signal range: best 10m/30ft
- Real-time display of Input Voltage / Output Voltage / Output Power / Power source level;
- Display working hours, set auto-off time;
- Fault/ Protection display.
- Real-time monitor the temperature, to avoid potential safety hazard.
- Control the red backlight ON/OFF.

How to download the APP?

Android™ Phone:

Go into Google Play and search "Cummins Inverter" or scan the QR code below.

iPhone® :

Go into the App Store and search "Cummins Inverter" or scan the QR code below.



Please refer to the APP manual to check the operation details about controlling the inverter through the APP by your smartphone.

TROUBLESHOOTING

PROBLEM: No Input Voltage

Cause	Solution
Battery is defective.	Replace battery.
Blown fuse.	Ask for help from technician.
Loose cable connections.	Check the connection to the battery. Tighten as required.

PROBLEM: Inverter Shut Down

Cause	Solution
The actual output power is higher than rated power, but high starting surge has occurred.	Reduce load to have the actual output lower than rated power of inverter.
The actual output is less than rated power, but high starting surge has caused overload shutdown.	Use a product with starting surge power within the inverter's capability.
The voltage input is too low.	Charge the battery.
Inverter is overheated due to poor ventilation and has shut down.	Disconnect the inverter from battery or DC socket and allow to be cooled for 15 minutes. Remove objects covering unit.

PROBLEM: Low Battery Alarm on all the time

Cause	Solution
Input voltage below 11V-buzzing sound.	Keep input voltage above 11V to maintain regulation.
Poor or weak battery condition.	Recharge or replace battery.
Inadequate power being delivered to the inverter or excessive voltage drop.	Use lower gauge (heavier) cable. Keep cable length as short as possible.

PROBLEM: TV does not work

Cause	Solution
TV does not turn on.	Contact TV manufacturer to find out if the TV is compatible with a modified sine wave.

PROBLEM: Error display & solution

Error Code	Solution
LOW BATTERY	Low Battery Voltage. Please charge the vehicle battery or replace the vehicle battery by new one.
WRONG BATTERY	Over Voltage Protection. Remove all appliances and turn off by ON/OFF switch. Check the battery voltage, make sure it is within 11V-15V.
OVER HEAT	Over Temperature Protection. Remove all appliances and turn off by ON/OFF switch. Cool down for 15 minutes before turning on again.
OVER LOAD	Over Load Protection. Turn OFF the inverter and remove all appliances, then use appliance with smaller power consumption.

SPECIFICATIONS

Model	CMN2000W	CMN3000W	CMN4000W	CMN5000W
Input	11-15V DC			
Output	115V AC			
Output Frequency	60Hz			
Output Waveform	Modified Sine Wave (MSW)			
Continuous Power	2000W	3000W	4000W	5000W
Surge Power	4000W	6000W	8000W	10000W
Efficiency	up to 90%			
No Load Draw	< 0.6A			
Low Battery Shutdown	10.5±0.3V DC			
USB Output Port	2.4A			
USB-C® Output Port	18W			
AC Output Socket	4 standard North American sockets			
Internal Fuse/ Replacement Fuse	10x30A blade fuse	12x30A blade fuse	18x30A blade fuse	18x30A blade fuse
Operating Temperature	32°F-104°F			
Battery Low Alarm	11.0±0.3V DC			
Power Cable Length	36"			
Dimensions	13.03"x9.48"x4.51"	14.33"x10.89"x4.57"	18.15"x13.27"x4.78"	20.12"x13.27"x4.78"
Net Weight	7.69lbs	10.59lbs	17.99lbs	18.6lbs

Fuses for battery cable short circuit only. Not for AC power output!

TELEVISION AND AUDIO SUGGESTIONS

Although all Cummins™ inverters are shielded and filtered to minimize signal interference with your television picture, it may still be unavoidable, especially in weak signal areas. Here are some suggestions that may improve reception:

- First, make sure that the television antenna produces a clear signal under normal operating conditions. Also, ensure that the antenna cable is properly shielded and of good quality.
- Change the positions of the inverter, antenna cables or TV power cord.
- Isolate the TV, its power cord and antenna cables from the 12-volt power source by running an extension cord from the inverter to the television set.
- Coil the television power cord and the input cables running from the 12-volt power source to the inverter.
- Attach a "Ferrite Data Line Filter" to the television power cord. More than one filter may be required. These filters are available at most electronic supply stores.

Note: Some inexpensive audio systems may produce a slight "buzzing" sound when operated with the inverter. The only solution to this problem is to use a sound system with better power supply filtering.

The Cummins Logo and Cummins are trademarks of Cummins Inc. used under license. The Bluetooth® word mark and logos are registered trademarks owned by Bluetooth SIG, Inc. and any use of such marks by DAS Companies, Inc. is under license. USB-C® is a registered trademark of Apple Inc. Android is a trademark of Google Inc. All other trademarks and trade names are property of their respective owners. ©2022 DAS Companies, Inc. Distributed by DAS Companies, Inc. 48 Industrial Drive, Elizabethtown, PA 17022

For support, product, and warranty information, call 717-967-6101 or email cumminssupport@dasinc.com

One-Year Limited Warranty

The inverters are designed to provide reasonable protection against harmful interference in a residential installation. This equipment generates, uses, and can radiate radio frequency energy and if not installed and used in accordance with the instructions, may cause harmful interference to radio communications. However, there is no guarantee that interference will not occur in a particular installation. If this equipment does cause harmful interference to radio or television reception, which can be determined by turning the equipment off and on, the user is encouraged to try to correct the interference by one or more of the following measures:

- Reorient or relocate the receiving antenna.
- Increase the separation between the equipment and receiver.
- Connect the equipment into an outlet on a circuit different from that to which the receiver is connected.
- Consult the dealer or an experienced radio/TV technician for help.

Changes or modifications not expressly approved by the party responsible for compliance could void the user's authority to operate the equipment.

Operation is subject to the following two conditions: (1) This device may cause harmful interference, and (2) this device must accept any interference received, including interference that may cause undesired operation.