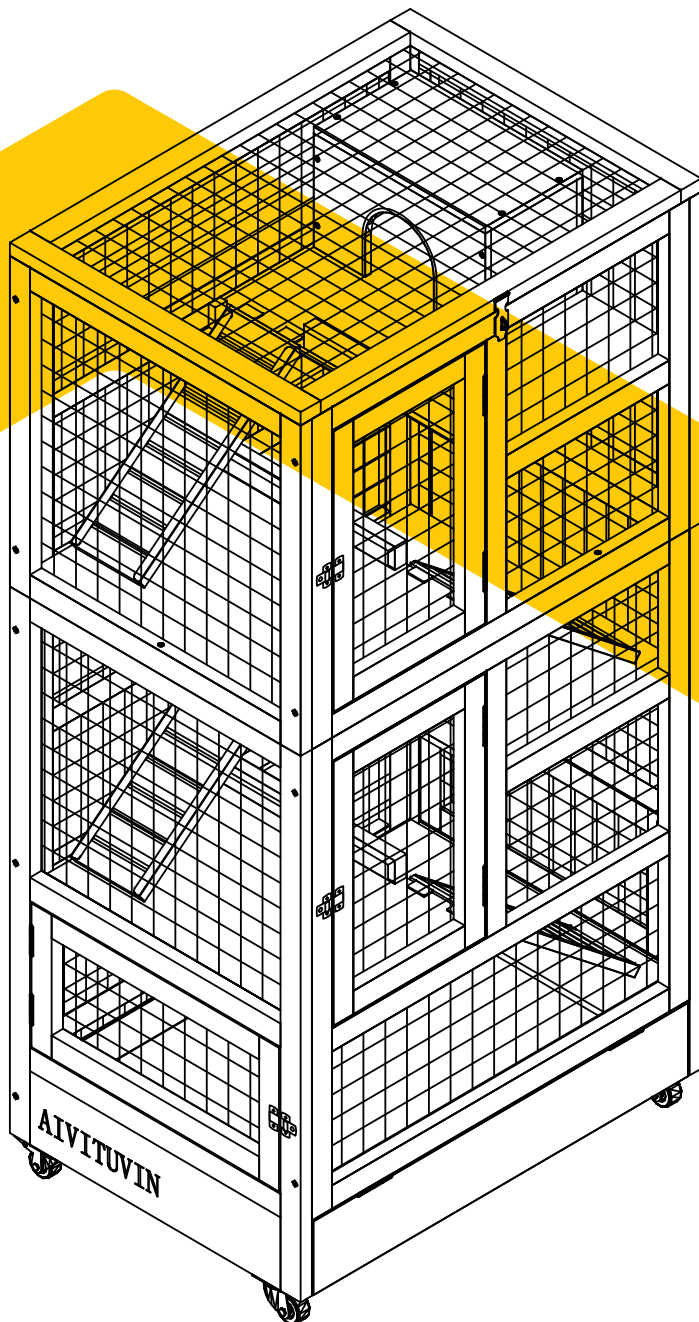


# INSTRUCTION MANUAL

AIR 38







## NOTICE

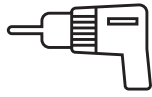
Please retain these instructions for future reference.

- Firmly secure all bolts, screws and knobs before use.
- Reconfirm that all bolts, screws, and knobs are secure every 90 days.
- Fasten screws loosely during initial assembly. Do not fully tighten screws until the item is completely assembled.
- Do not use or store this item in the proximity of open flame or flammable/combustible chemicals.
- Be aware that some parts are heavy and have sharp edges.
- Be aware that moving parts can injure, crush and cut.
- If any parts are missing, broken, damaged, or worn, stop using this product until repairs are made and/or factory replacement parts are installed.
- Do not use this item in a way inconsistent with the manufacturer's instructions as this could void the product warranty.

## TOOLS REQUIRED //



PHILLIPS  
SCREWDRIVER



DRILL  
(RECOMMENDED)



2PERSON  
ASSEMBLY



APPROXIMATELY  
45MIN. ASSEMBLY

## HARDWARE //

M3.5x60mm SCREW  
6PCS+1 spare



P1

M3.5x40mm SCREW  
18PCS+1 spare



P2

M3.5x25mm SCREW  
36PCS+1 spare



P3

M3.0x16mm SCREW  
14PCS+1 spare



P4

Chewing Toy for Gift  
1PC



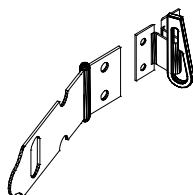
P5

Bowl  
1PC



P6

Lock  
1PCS



P7

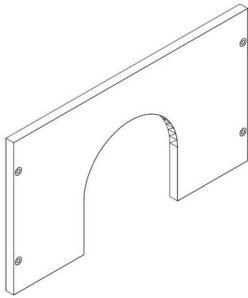
M3.0x16mm SCREW  
6PCS+1 spare



P8

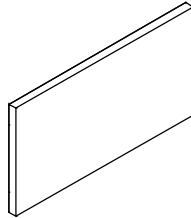
# PARTS //

Front panel of small house  
1PC



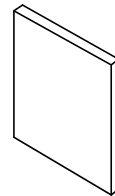
**A**

Back panel of small house  
1PC



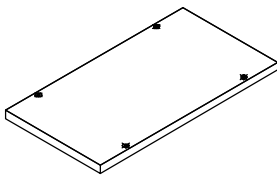
**B**

Side panels of small  
2PCS



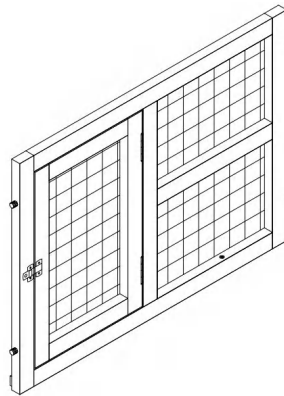
**C**

Top panel of small house  
1PC



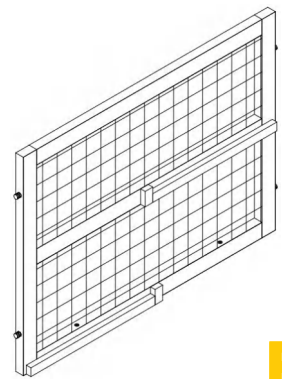
**D**

Front Panel-Upper  
1PC



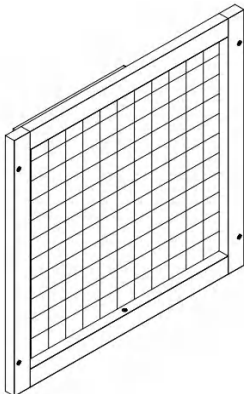
**E**

Back Panel-Upper  
1PC



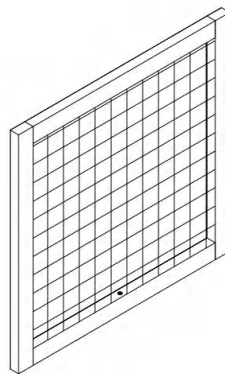
**F**

Left Panel-Upper  
1PC



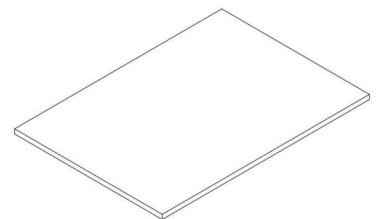
**G**

Right Panel-Upper  
1PC



**H**

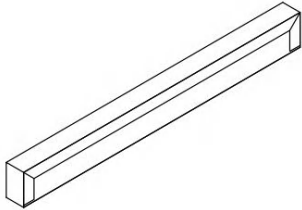
Layer  
4PCS



**I**

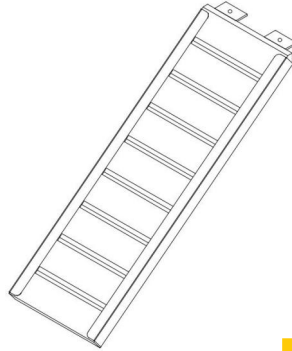
# PARTS

Fence  
4PCS



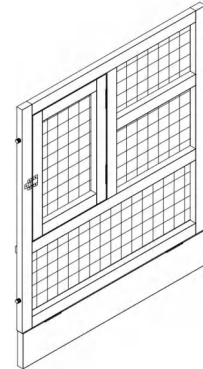
J

Ramp  
4PCS



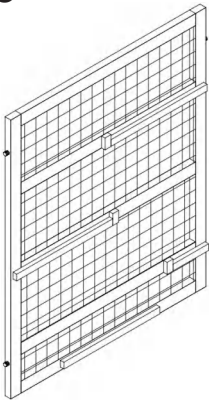
K

Front Panel-Lower  
1PC



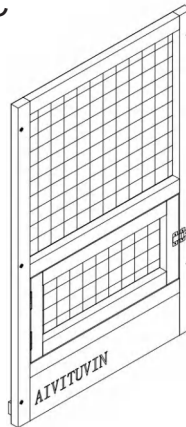
L

Back Panel-Lower  
1PC



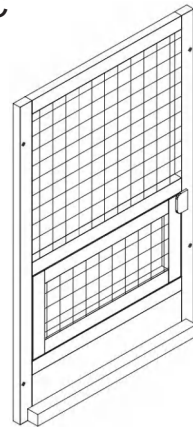
M

Left Panel-Lower  
1PC



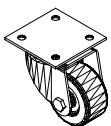
N

Right Panel-Lower  
1PC



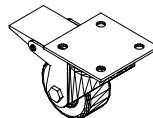
O

Caster  
2PCS



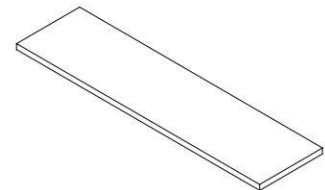
P

Caster with brake  
2PCS



Q

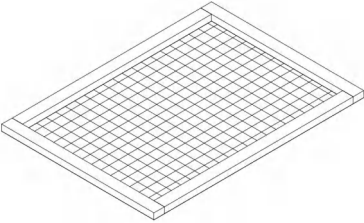
Layer  
1PC



R

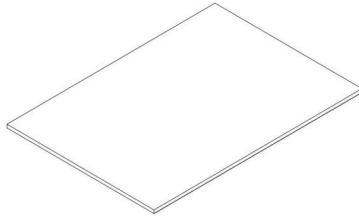
# PARTS //

Roof  
1PC



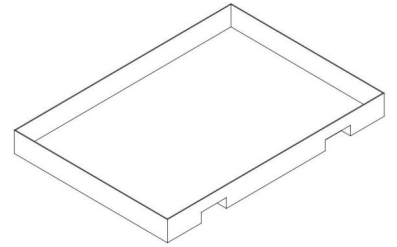
**S**

Bottom Layer  
1PC



**U**

Tray  
1PC

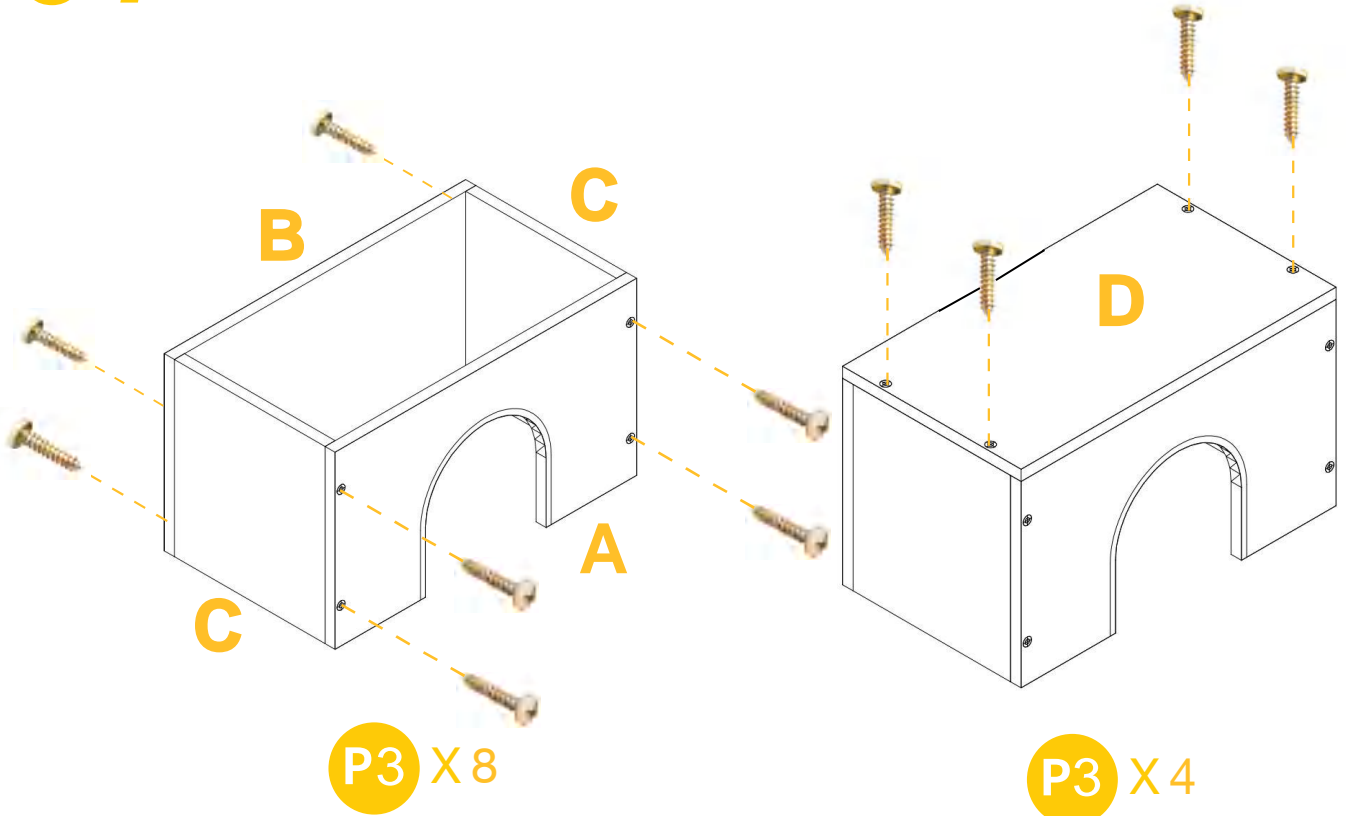


**V**

# PRODUCT ASSEMBLY

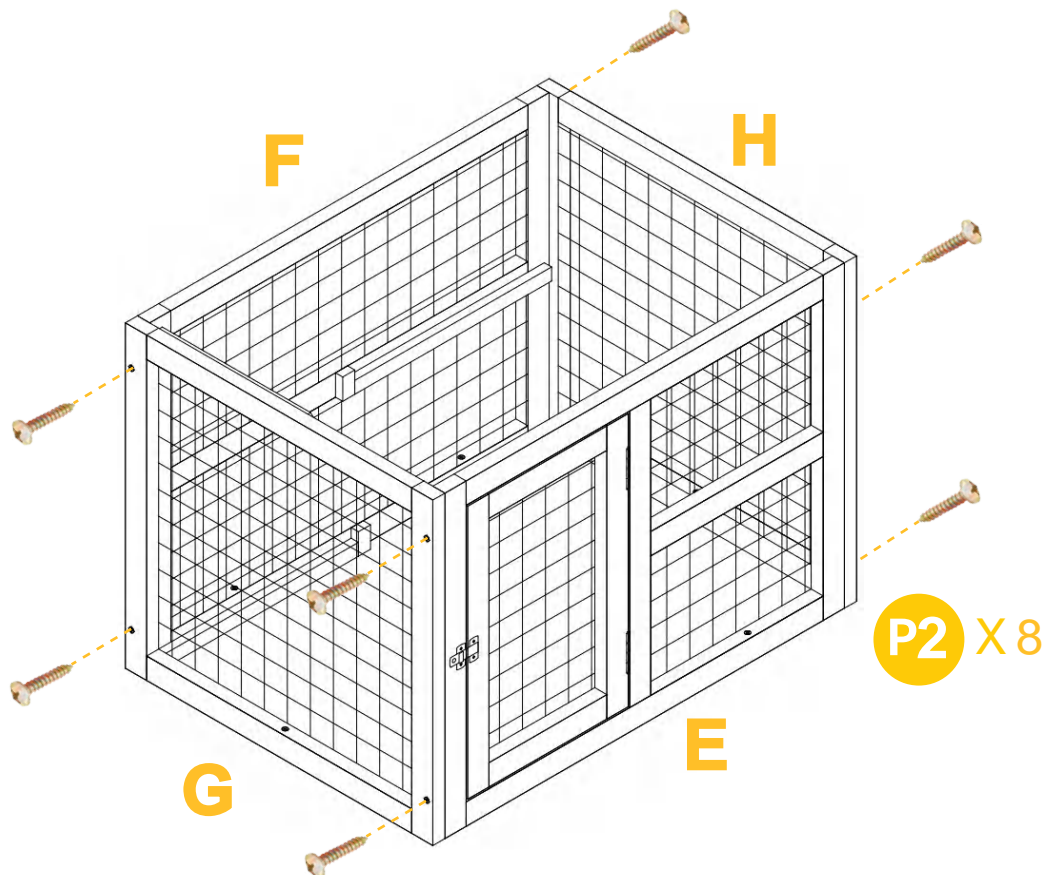
01

Attach the small house, attach the Part A, B, C & D by 12XP3 screws.



02

Attach upper parts, attach the Part E, F, G & H by 8xP2 screws.

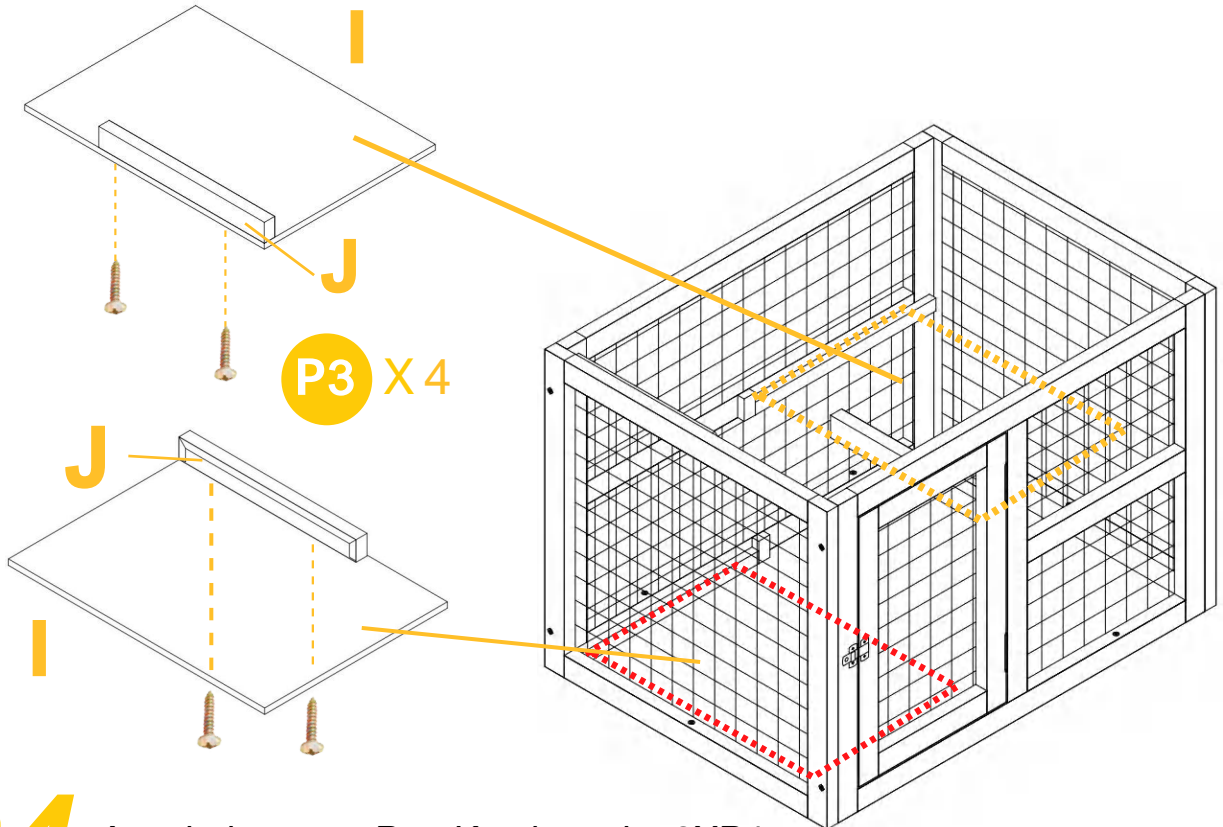




# PRODUCT ASSEMBLY

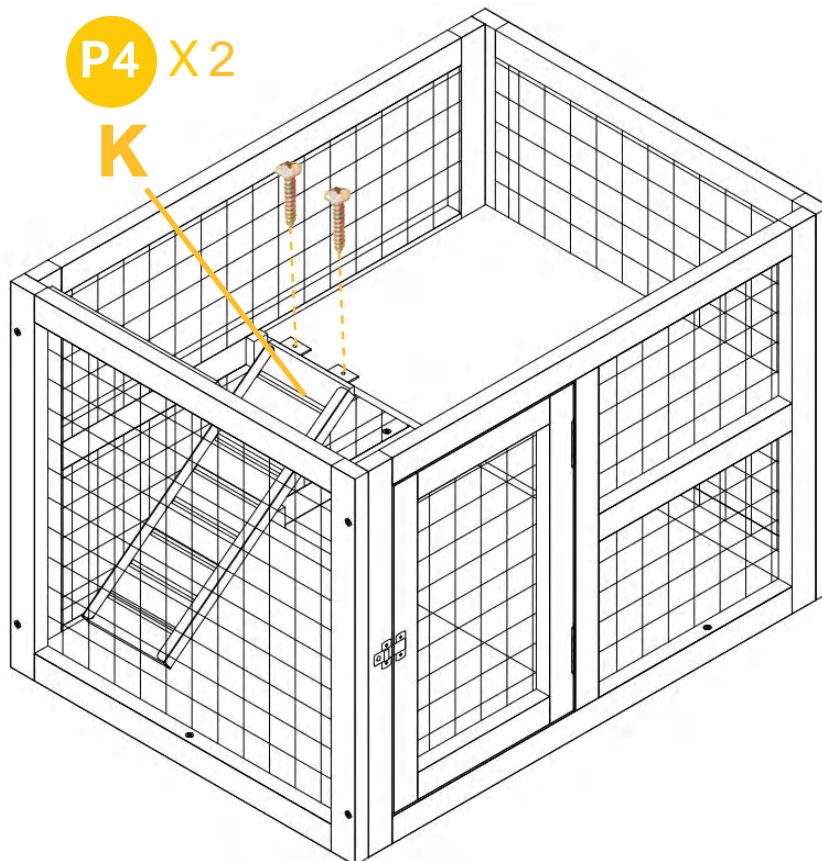
03

Screw the fence Part J to layer Part I from the bottom by 2xP3 screws each piece.  
(Pls pay attention to the position of Part J of 2 layers).  
Put the Part I inside house.



04

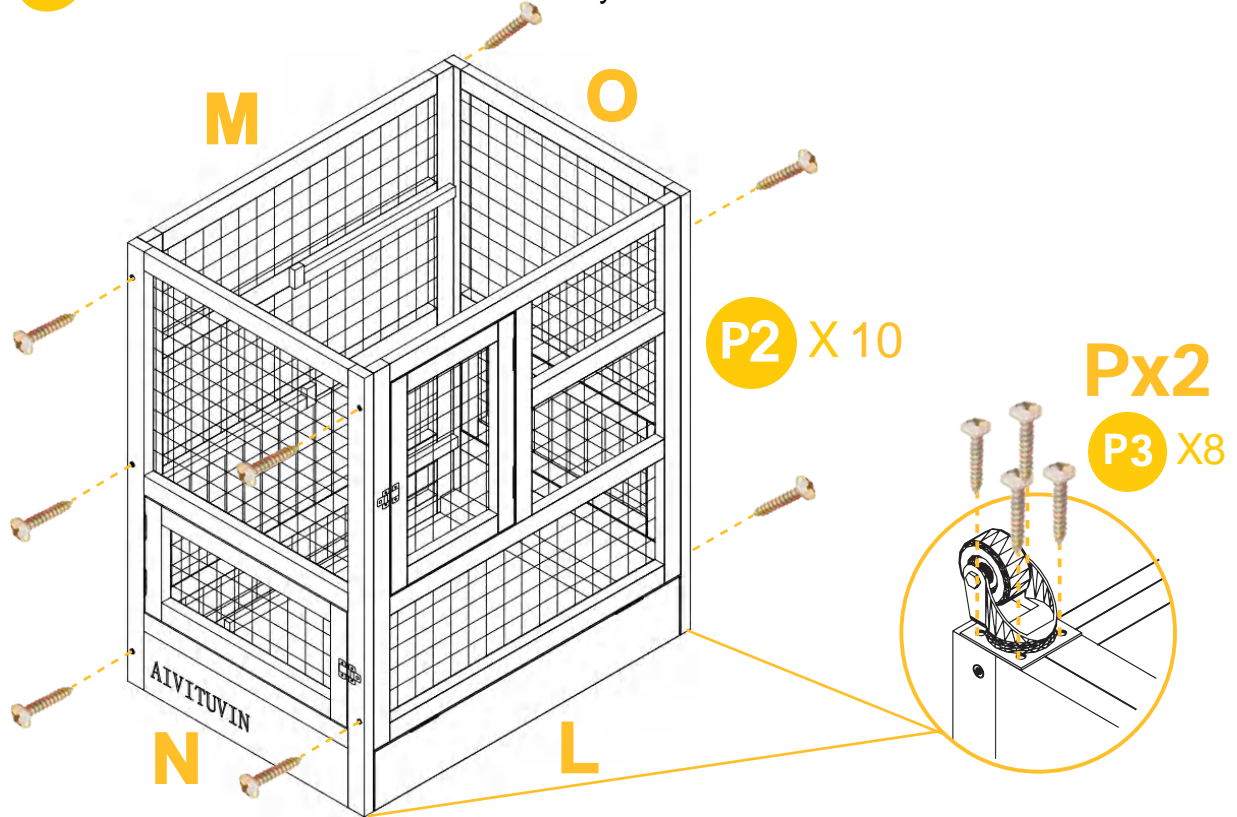
Attach the ramp Part K to layer by 2XP4screws.



# PRODUCT ASSEMBLY

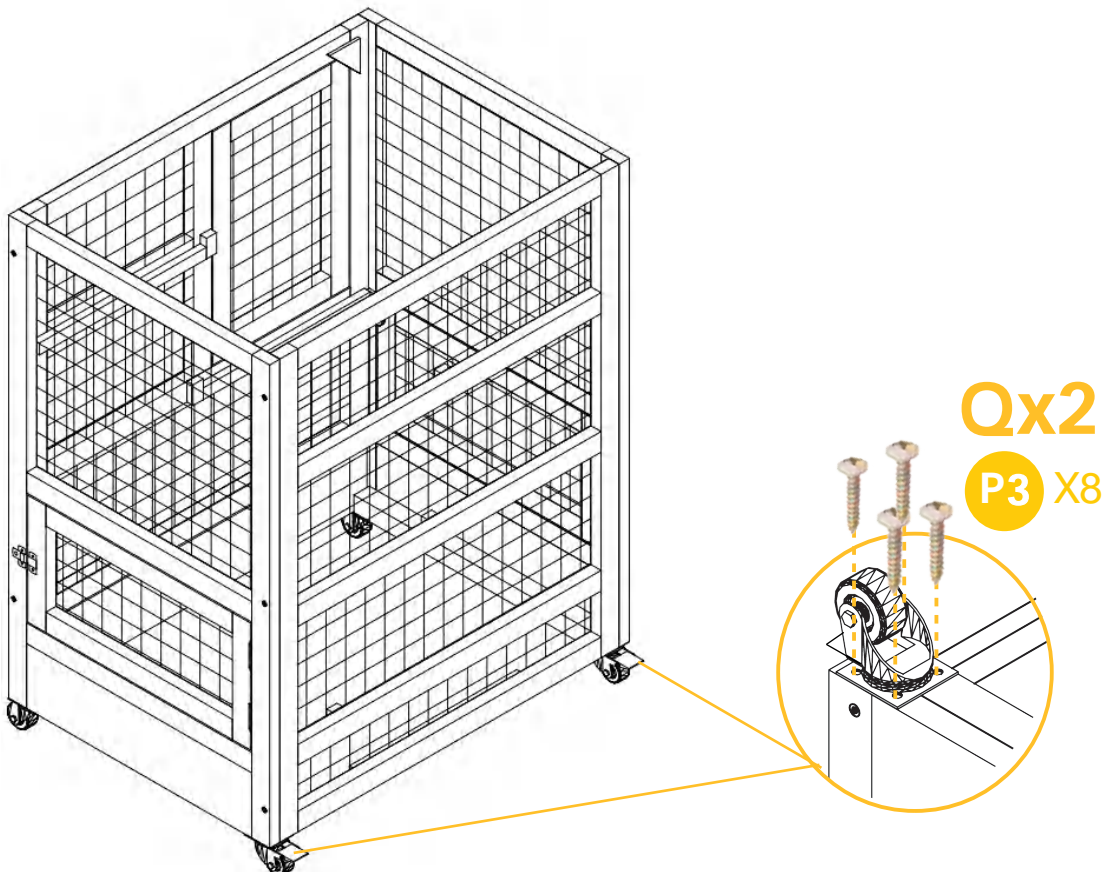
## 05

Attach lower parts, attach the Part L, M, N & O by 10XP2 screws.  
Attached the caster 2x Part P by 8XP3 screws.



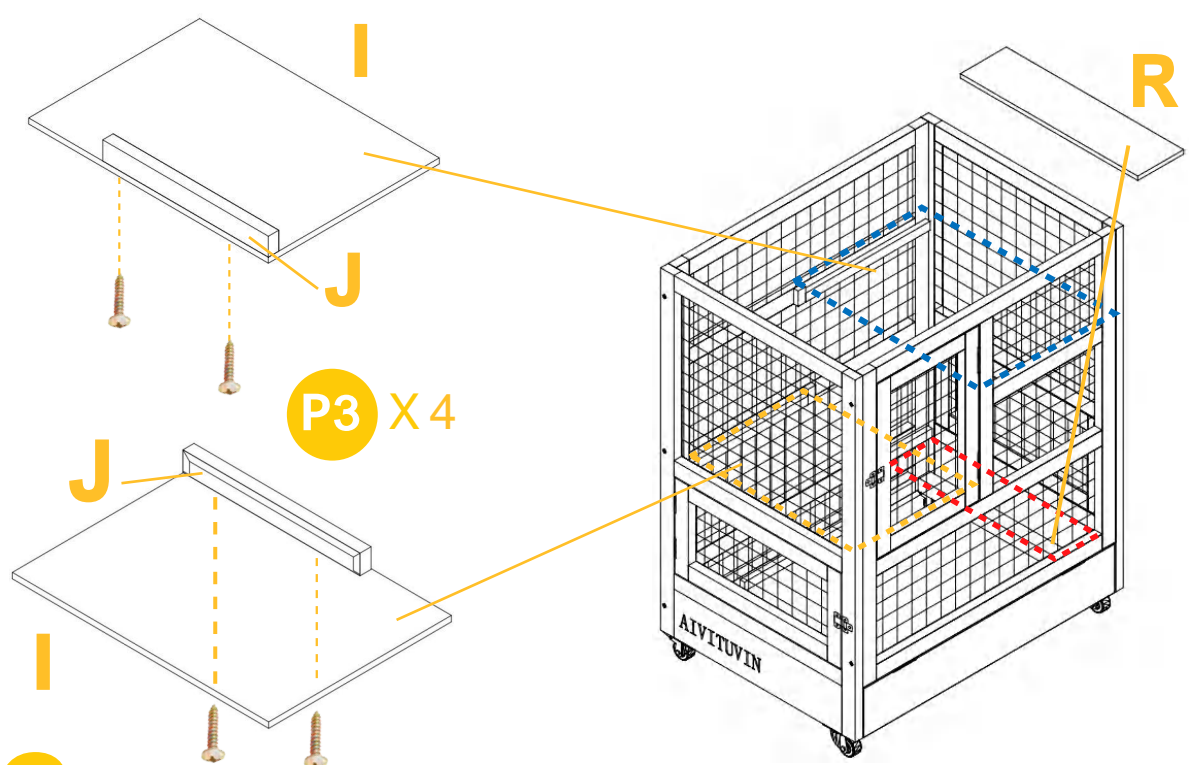
## 06

Attached the Caster with brake 2x Part Q by 8XP3 screws.

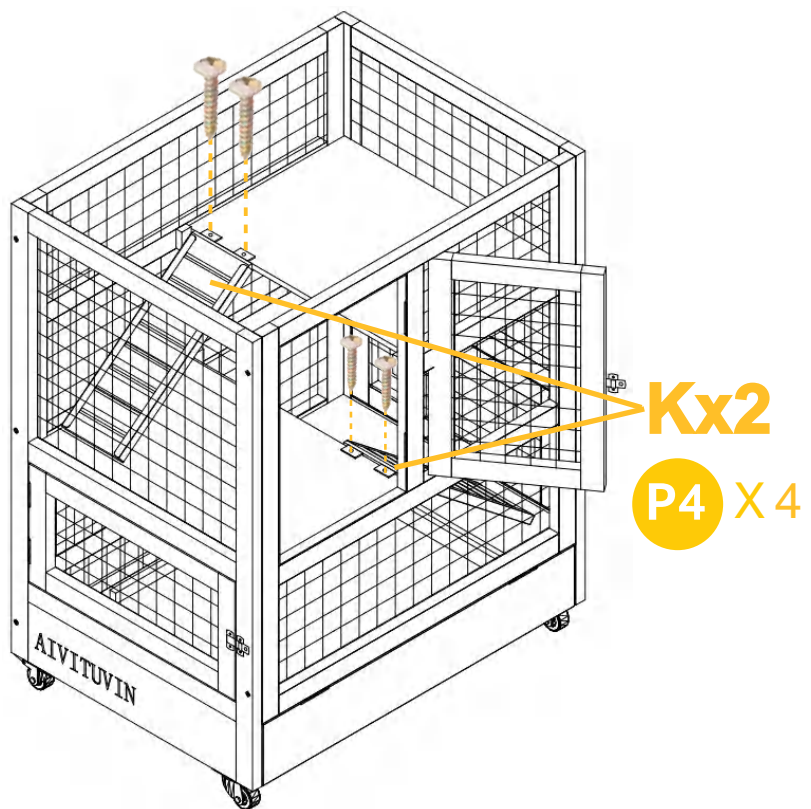


# PRODUCT ASSEMBLY

**07** Screw the fence Part J to layer Part I from the bottom by 2XP3 screws each piece.  
(Pls pay attention to the position of Part J of 2 layers)  
Put the Part I & R inside house.

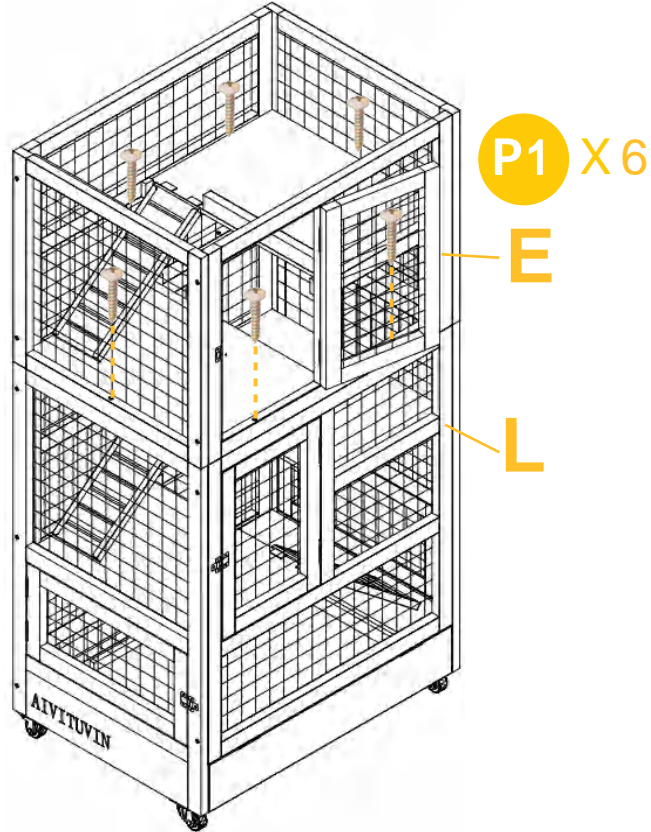


**08** Attach the ramp 2x Part K to layer by 2XP4 screws each piece.

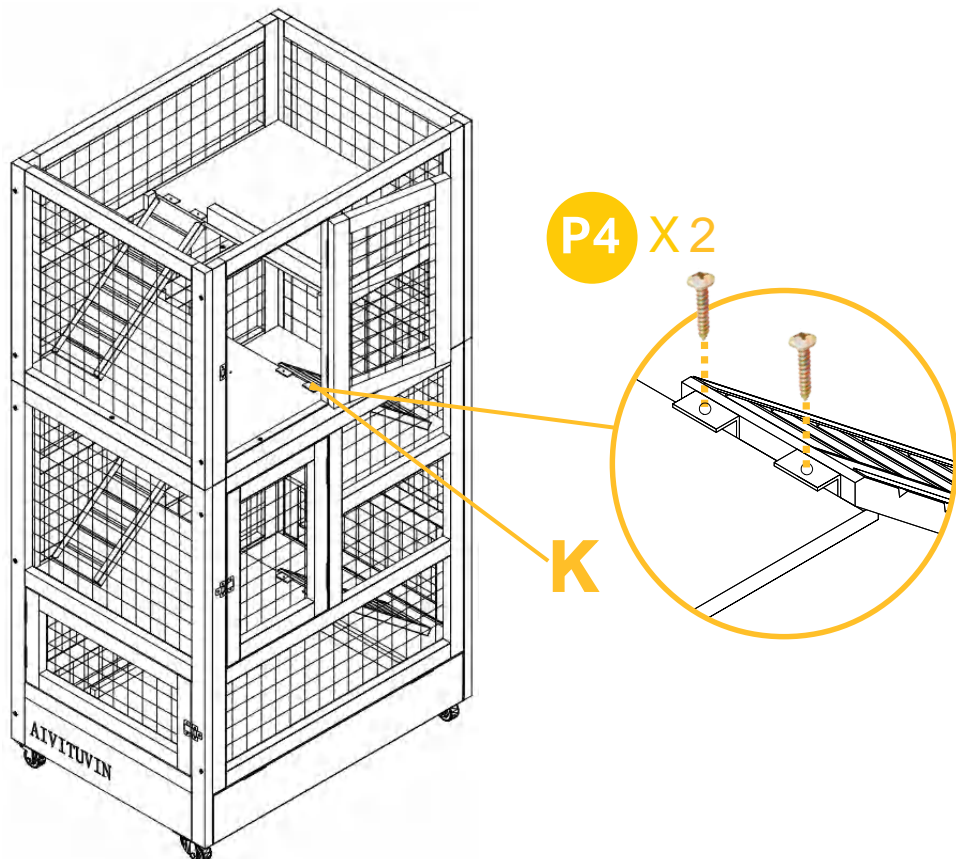


# PRODUCT ASSEMBLY

**09** Attach the upper part and lower part by 6XP1 screws.  
(Pls pay attention the position of the upper and lower)

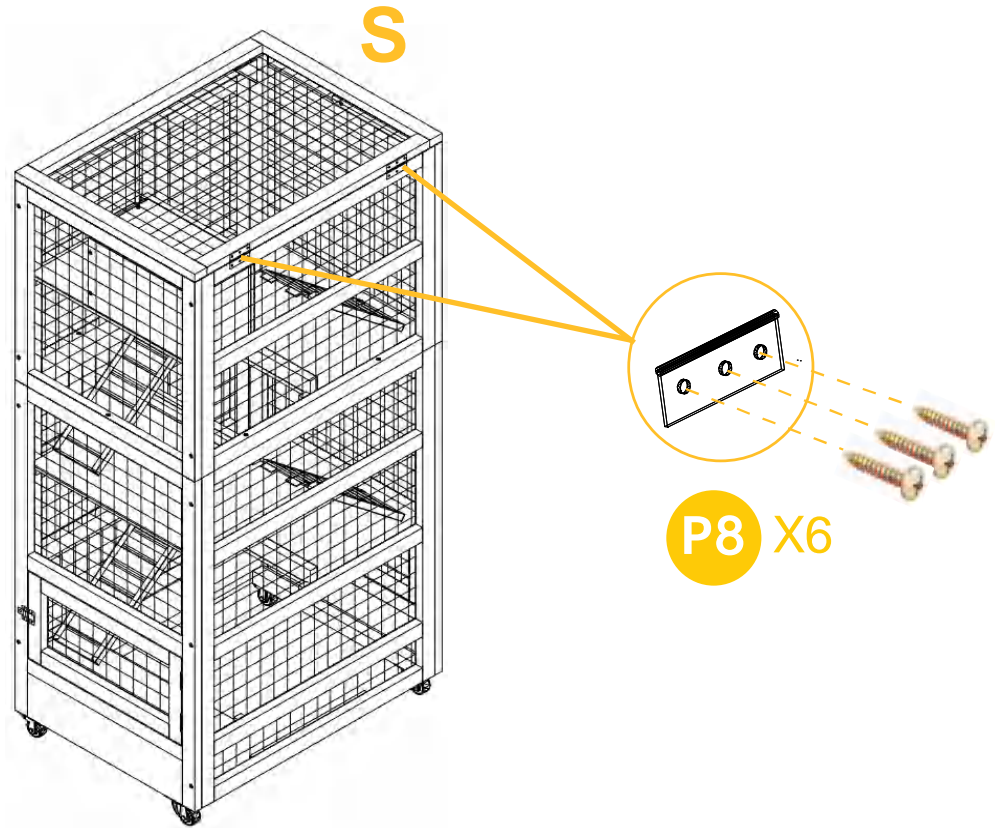


**10** Attach the ramp Part K to layer by 2XP4 screws .

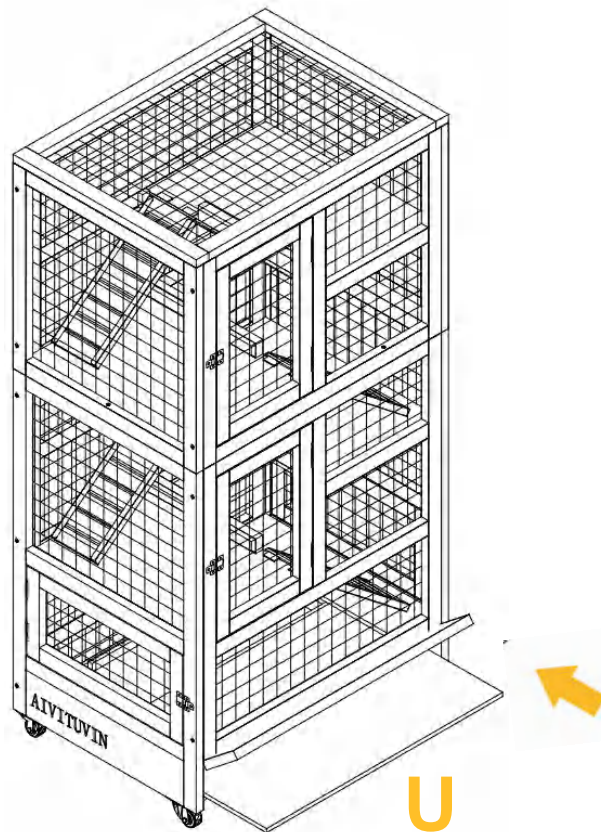


# PRODUCT ASSEMBLY

**11** Attached the roof Part S by 6XP8 screws.

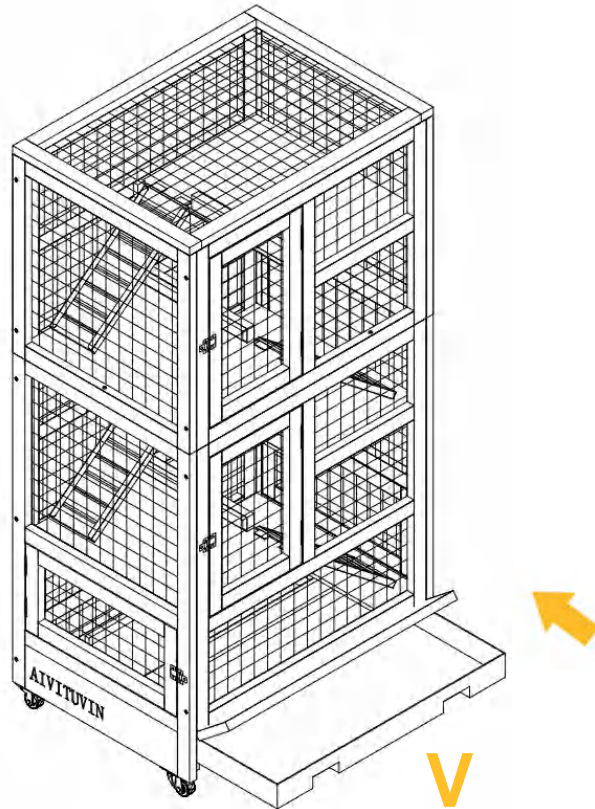


**12** Put in the bottom layer Part U.

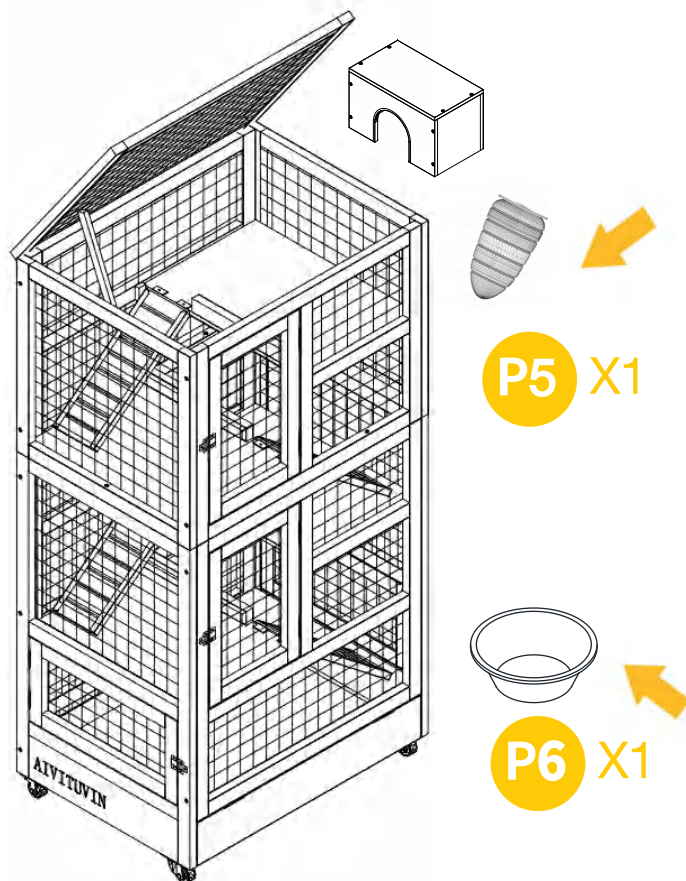


# PRODUCT ASSEMBLY //

**13** Put in the tray Part V above the bottom layer.

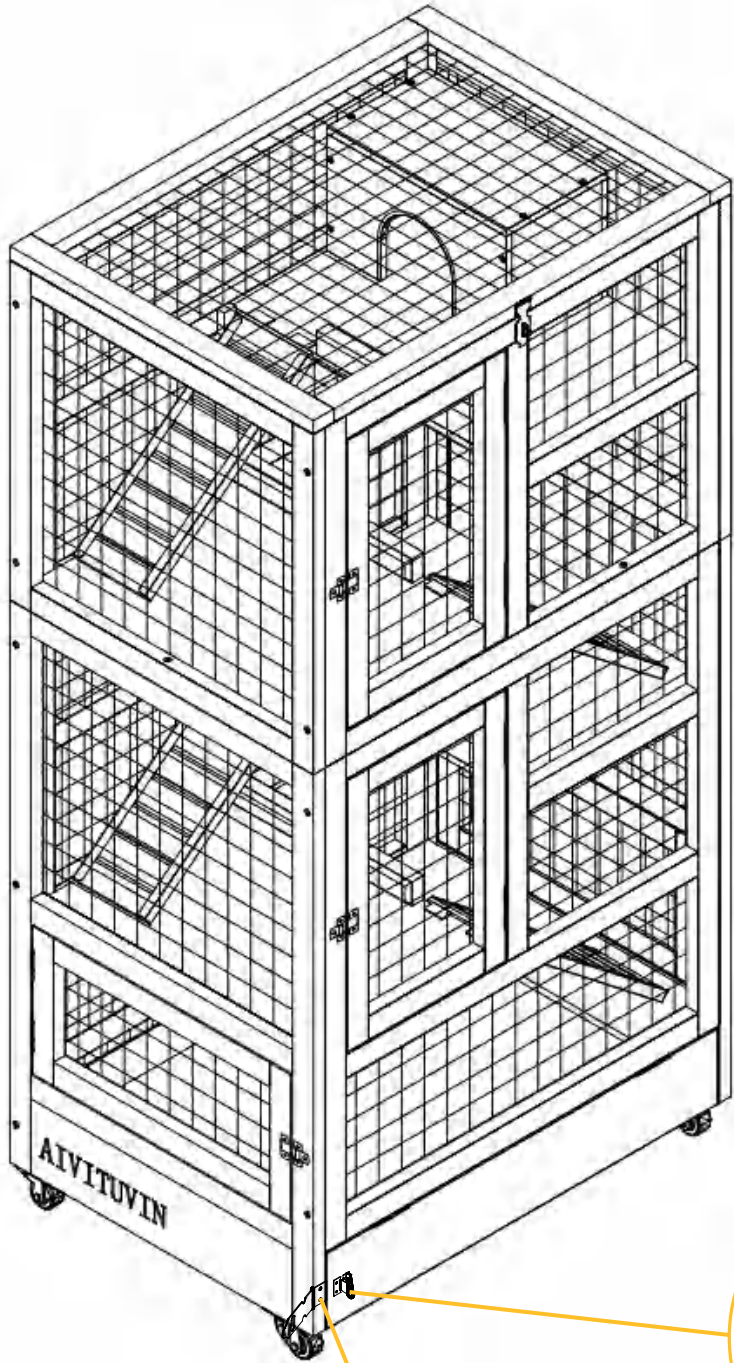


**14** Put in the small house, P5 & P6 inside the hutch anywhere you want.

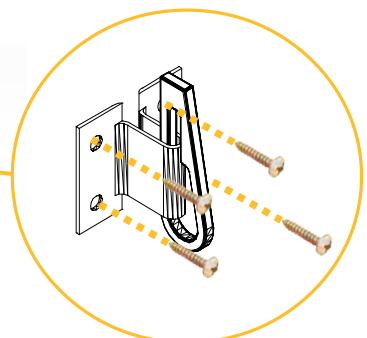


# PRODUCT ASSEMBLY

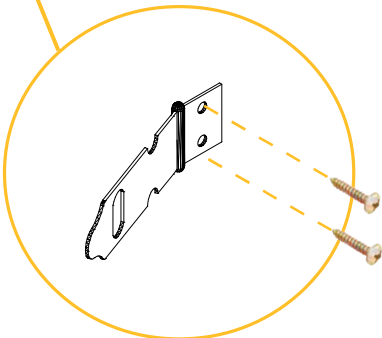
**15** Screw the latch P7 by 4XP4 screws on roof and tray position.



**P4** X6



**P7** X1



Finish



**WARNING**

Manufacturer and seller expressly disclaim any and all liability for personal injury, property damage or loss, whether direct, indirect, or incidental, resulting from the incorrect attachment, improper use, inadequate maintenance, or neglect of this product.