

ITEMS YOU WILL NEED:

- Drill/power screwdriver
- Miter or circular saw with carbide-tipped blade
- Tape measure
- Carpenter's level
- Carpenter's pencil
- Quick clamps
- Speed square
- Safety glasses/goggles
- Gloves

PREPARATION FOR ROUTED LINE RAIL KIT

This rail may only be used in residential applications. Prior to construction, check with your local regulatory agency for special code requirements in your area. Typical requirements are minimum height from the walking surface to the top of the top rail of 36". All gaps are typically required to be less than 4". This rail kit is designed to be used with structural 4x4 posts properly secured at 6' on-center (o.c.) spacing. Pre-drill all screw locations to minimize splitting.

ROUTED LINE RAIL KIT INSTALLATION INSTRUCTIONS

STEP 1: Measure the distance between posts and cut the rails to size. Cut an equal amount from both end of the rail so end baluster spacing is consistent. Remove an additional 1/4" from each end for the bracket to fit between the post and rail.

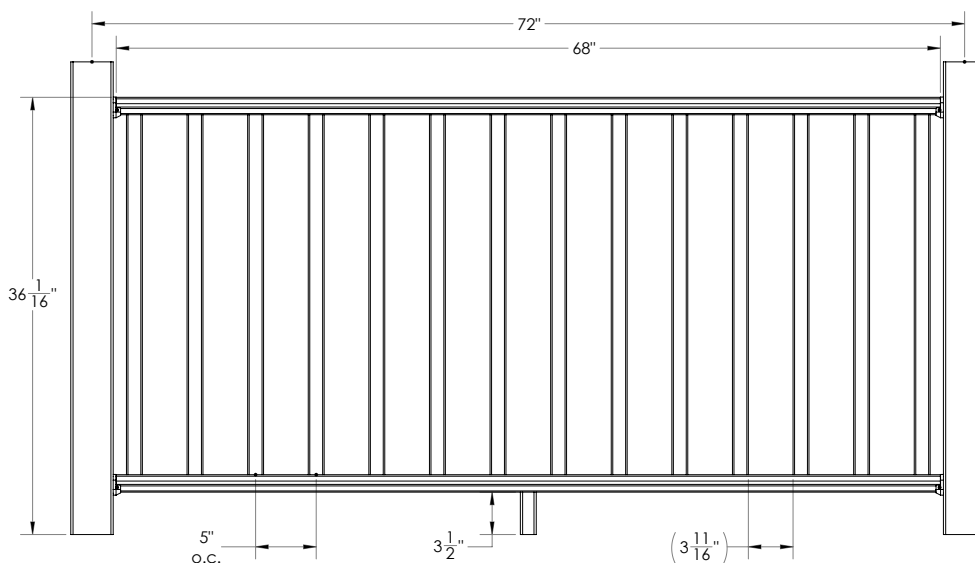
STEP 2: For a 6' o.c. rail with 4x4 posts, 14 balusters are needed. Pre-drill the center of each routed hole using a 1/8" drill bit.

STEP 3: Place a bracket on each end of the top and bottom rails. Pre-drill and attach each bracket using the screws provided.

STEP 4: Position the bottom rail with the routed holes facing down, so they don't collect water. The top rail will prevent the baluster from spinning. Pre-drill both ends of each baluster. Fasten a baluster at each pre-drilled location on the bottom rail from below. Fasten the top rail to the other end of the balusters, working from one end to the other.

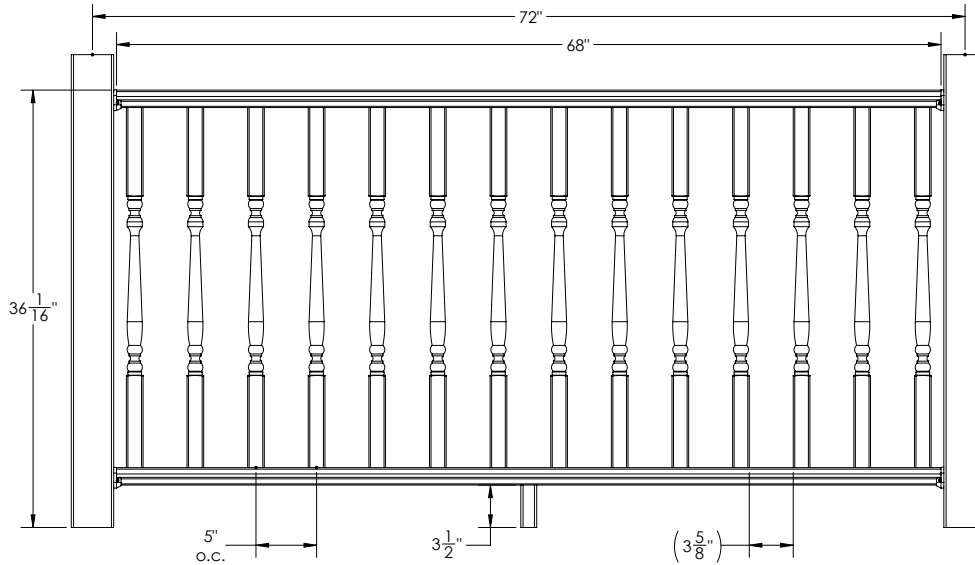
STEP 5: Determine the sweep beneath the bottom rail. Attach the support block to the center of the bottom rail using the 3-1/2" screw. Prop the assembled rail in place between posts and level. Pre-drill the screw locations through the brackets and attach all four screws halfway, then fully fasten each screw. This will help keep the rail centered while fastening. Repeat for each bracket until all are fastened.

BALUSTER STYLE WOOD BALUSTERS



ROUTED RAILING KIT – INSTALLATION INSTRUCTIONS

BALUSTER STYLE SPINDLE BALUSTERS



PREPARATION FOR ROUTED STAIR RAIL KIT

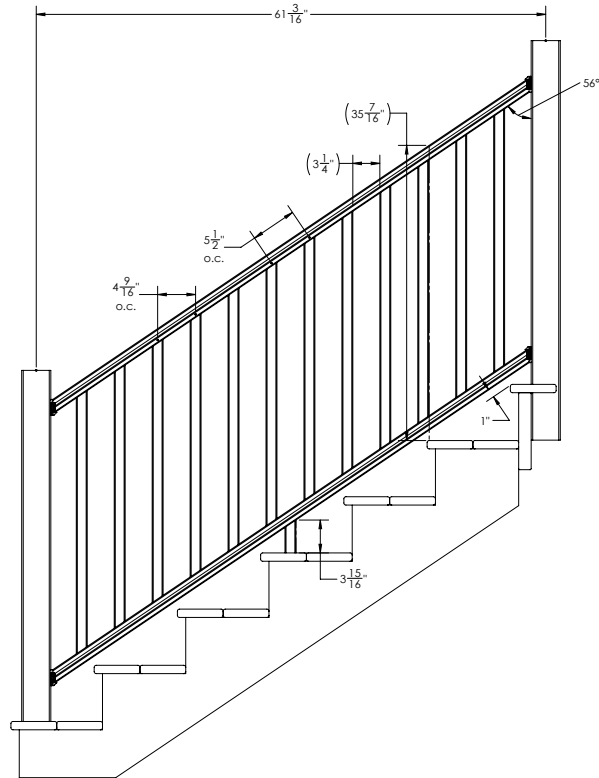
This rail may only be used in residential applications. The stair railing was designed to work on stairs that have a 10" run and 6-3/4" rise, which creates a 34° angle. Prior to construction, check with your local regulatory agency for special code requirements in your area. Typical requirements are minimum height from the leading edge of the stair treads to the top of the top stair rail of 34-38". A 6" ball cannot pass through the triangle formed by the bottom rail, tread and riser. All other gaps are typically required to be less than 4-3/8". This rail kit is designed to be used with structural 4x4 posts properly secured at 6' on-center (o.c.) spacing. Pre-drill all screw locations to minimize splitting.

ROUTED STAIR RAIL KIT INSTALLATION INSTRUCTIONS

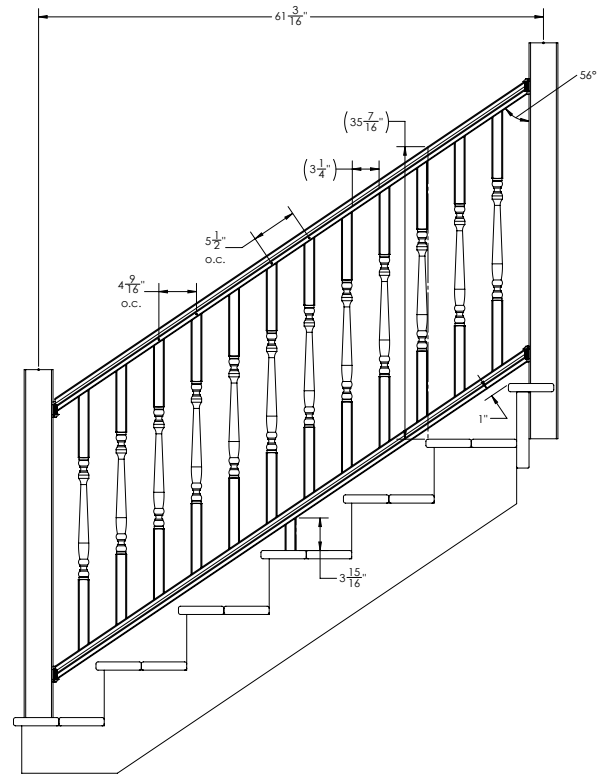
- STEP 1:** Measure the distance between posts and cut the rails to size and 34° angle. Cut an equal amount from both ends of the rail so end baluster spacing is consistent. Remove an additional 1/4" from each end for the bracket to fit between the post and rail.
- STEP 2:** For a 6' o.c. rail with 4x4 posts, 12 balusters are needed. Pre-drill the center of each routed hole using a 1/8" drill bit.
- STEP 3:** Place a bracket on each end of the top and bottom rails. Pre-drill and attach each bracket using the screws provided.
- STEP 4: Tip: Position the bottom rail with the routed holes facing down, so they don't collect water.** The top rail will prevent the baluster from spinning. Pre-drill both ends of each baluster. Fasten a baluster at each pre-drilled location on the bottom rail from below. Fasten the top rail to the other end of the balusters, working from one end to the other.
- STEP 5:** Determine the sweep beneath the bottom rail. Attach the support block to the center of the bottom rail using the 3-1/2" screw. Prop the assembled rail in place between posts. Pre-drill the screw locations through the brackets and attach all four screws halfway, then fully fasten each screw. This will help keep the rail centered while fastening. Repeat for each bracket until all are fastened.

ROUTED RAILING KIT – INSTALLATION INSTRUCTIONS

BALUSTER STYLE WOOD BALUSTERS



BALUSTER STYLE SPINDLE BALUSTERS



THE DIAGRAMS AND INSTRUCTIONS IN THIS BROCHURE ARE FOR ILLUSTRATION PURPOSES ONLY AND ARE NOT MEANT TO REPLACE A LICENSED PROFESSIONAL. ANY CONSTRUCTION OR USE OF THE PRODUCT MUST BE IN ACCORDANCE WITH ALL LOCAL ZONING AND/OR BUILDING CODES. THE CONSUMER ASSUMES ALL RISKS AND LIABILITY ASSOCIATED WITH THE CONSTRUCTION OR USE OF THIS PRODUCT. THE CONSUMER OR CONTRACTOR SHOULD TAKE ALL NECESSARY STEPS TO ENSURE THE SAFETY OF EVERYONE INVOLVED IN THE PROJECT, INCLUDING, BUT NOT LIMITED TO, WEARING THE APPROPRIATE SAFETY EQUIPMENT. EXCEPT AS CONTAINED IN THE WRITTEN LIMITED WARRANTY, THE WARRANTOR DOES NOT PROVIDE ANY OTHER WARRANTY, EITHER EXPRESS OR IMPLIED, AND SHALL NOT BE LIABLE FOR ANY DAMAGES, INCLUDING CONSEQUENTIAL DAMAGES.