



AmgoodSupply

Thank you for purchasing our product!

Issues with your order? Give us a chance to make things right.
Do not return this item back to the store. Contact our friendly customer
service department with any problems, comments or concerns.
Replacements for missing or damaged parts are shipped within 1 business day.

Email: **Support@AmGoodSupply.com**

Please check out our other products

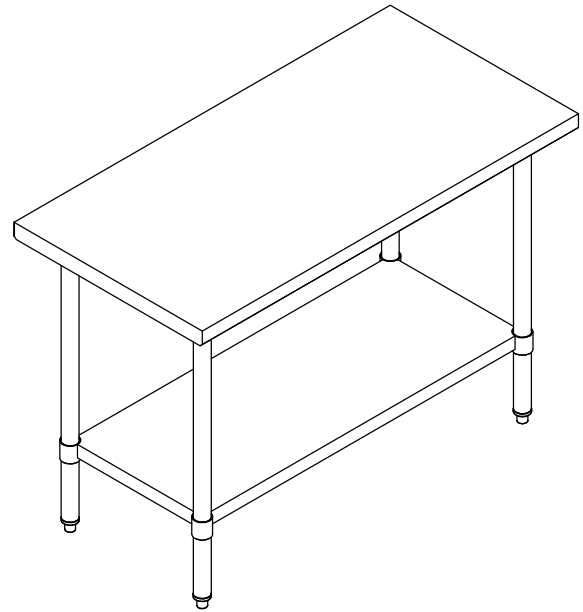
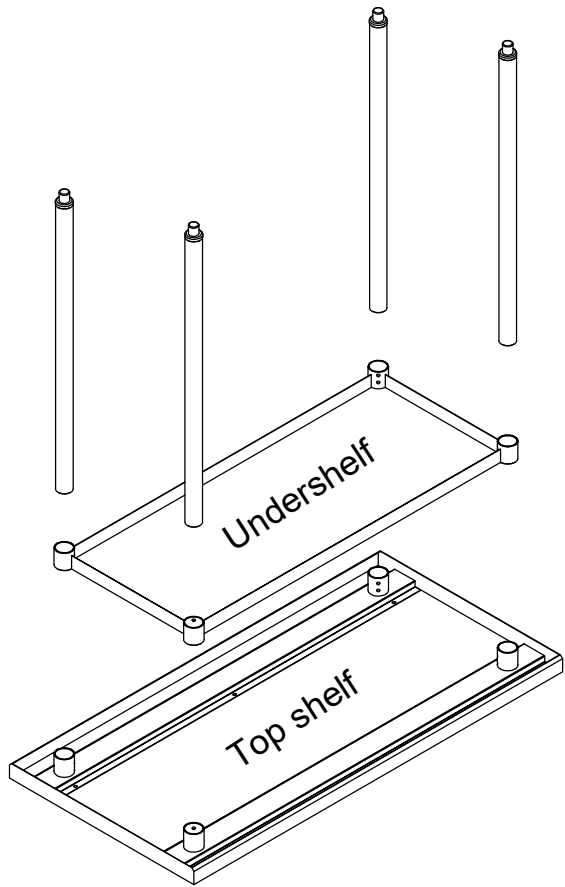
Stainless Steel Work Tables
Equipment Stands
Stainless Steel Shelves
Commercial & Utility Sinks
Bakery Racks
Hood Filters
Storage Shelving
Utility Carts
Dunnage Rack
Commercial Floor Strainers
Grease Traps

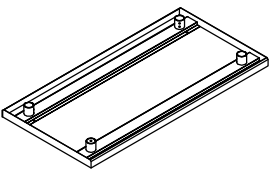
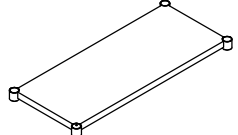

AmGood Supply is a leading manufacturer and distributor of stainless steel and metal products for commercial and residential applications.



Our customers include homeowners, restaurants, retail and manufacturing businesses, non-profits, as well as state, local, and federal government agencies.

WWW.AMGOODSUPPLY.COM

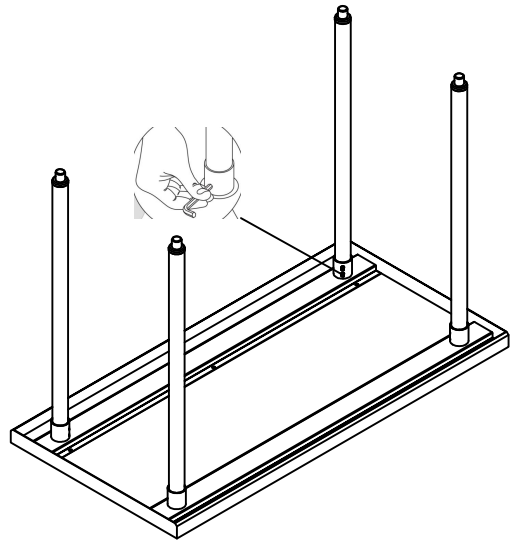
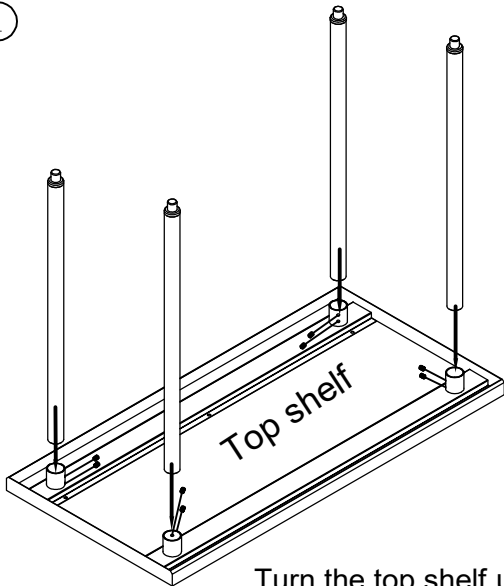
Worktable Assembly Intruction



Main Parts			
No.	Pattern	Part name	Quantity
1		Top shelf	1
2		Undershelf	1
3		Leg	4

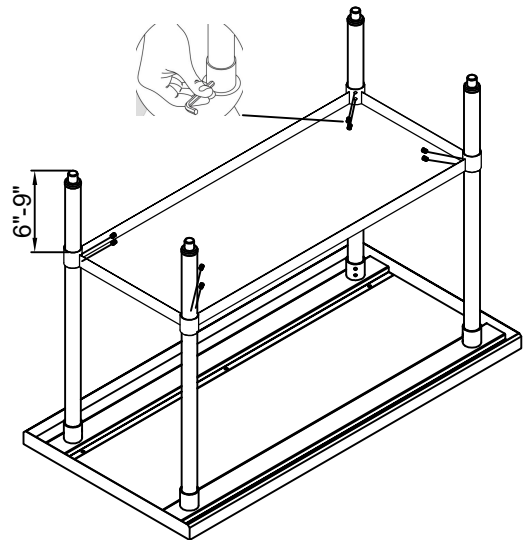
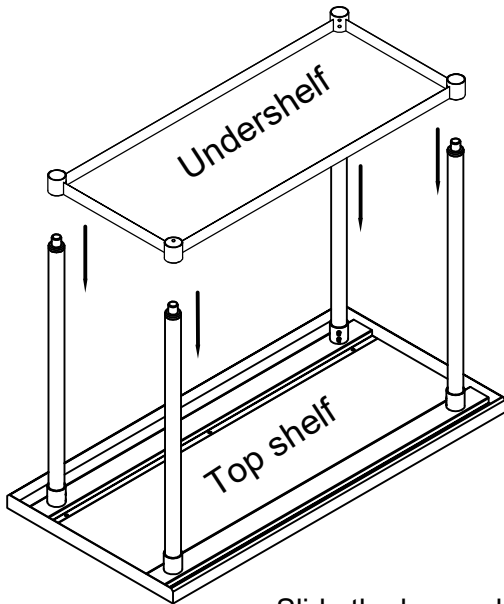
Accessories			
No.	Pattern	Part name	Quantity
①		M8*1*10 Screw	17
②		S4 Screw Wrench	1

1



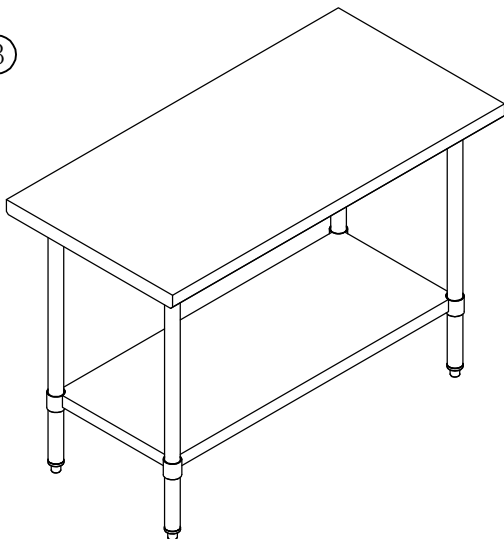
Turn the top shelf upside down onto the floor, place the carton top underneath for padding to avoid scratching, Insert four legs into the leg sockets, then partially fasten the allen screws

2



Slide the lower shelf into four legs to desired height, then tighten all allen crews to secure the lower shelf in place

3



Turn over the assembled worktable, adjust the feet height to ensure proper leveling and stability, your worktable is now ready to use