

PRORUN®

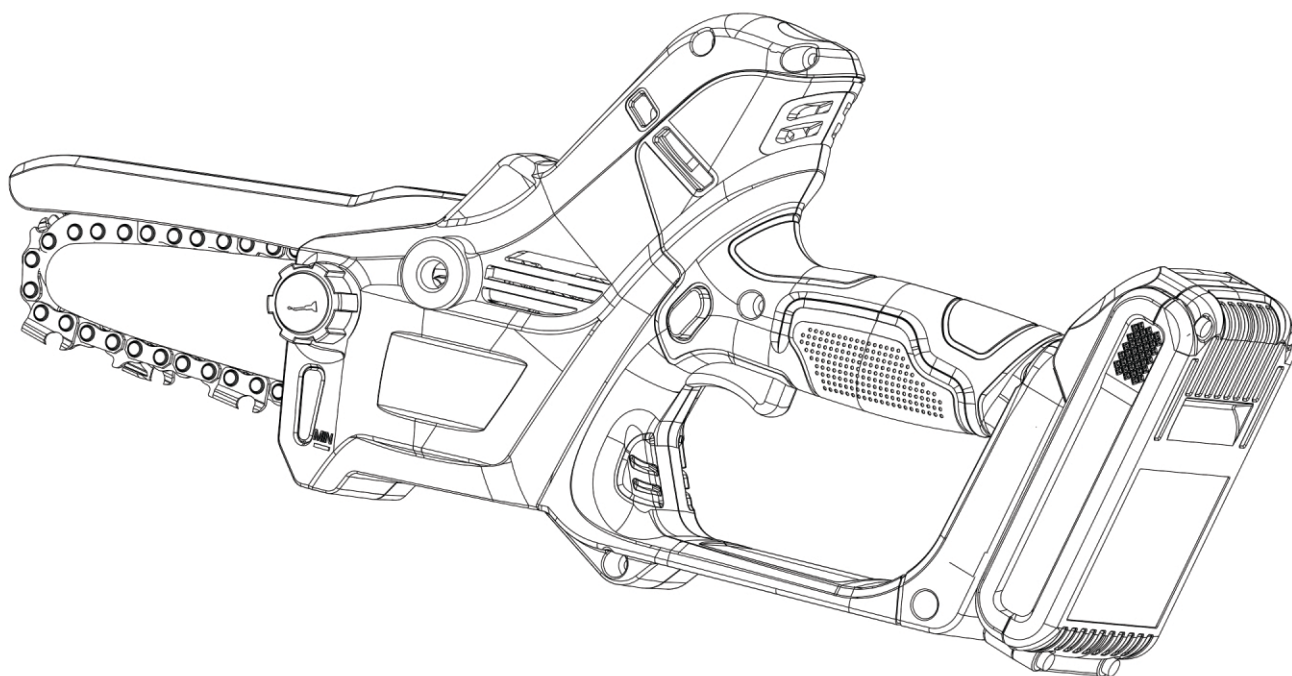
POWER and RELIABILITY™

20V // Lithium-Ion

PARTS LIST

MINI CHAINSAW

MODEL: PMCS120



Everything PRORUN

Please let us know what you think.
To leave a review and see our full line of products, visit:

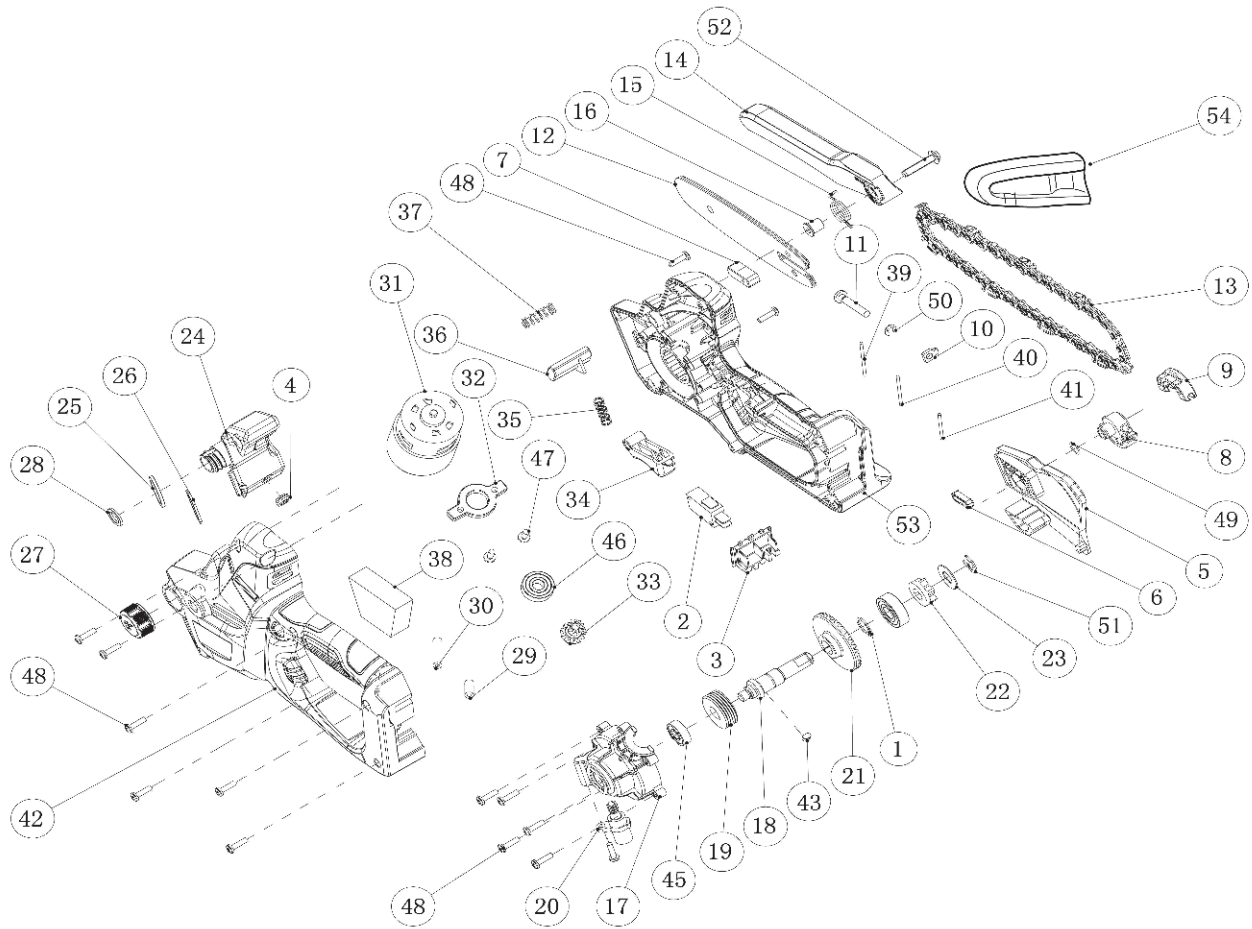
proruntech.com ★ ★ ★ ★ ★

1-844-905-0882, info@proruntech.com

Version: A - Issue Date: 2024/01/01



ASSEMBLY PARTS LIST



ASSEMBLY PARTS LIST

No.	Description	Qty
1	EXTERNAL CIRCLIP	1
2	MICROSWITCH	1
3	TERMINAL BLOCK	1
4	GREASE SEAL	1
5	SIDE COVER	1
6	GASKET (A)	1
7	GASKET (B)	1
8	LOCK FASTENING BUTTON	1
9	LOCK THE MOVABLE BUTTON	1
10	TENSIONING BLOCK	1
11	SCREW	1
12	GUIDE BAR	1
13	SAW CHAIN	1
14	PROTECTIVE COVER	1
15	TORSION SPRING	1
16	AXEL SLEEVE	1
17	GEARBOX COVER	1
18	OUTPUT SHAFT	1
19	WORM	1
20	OIL PUMP	1
21	LARGE CONICAL TOOTH	1
22	CHAIN WHEEL	1
23	PAD	1
24	OIL TANK	1
25	WASHER	1
26	GASKET (C)	1
27	OIL TANK COVER	1

No.	Description	Qty
28	SEAL RING	1
29	OIL INLET PIPE	1
30	OIL OUTLET PIPE	1
31	ELECTRIC MACHINERY	1
32	FIXED PLATE	1
33	SMALL CONE TOOTH	1
34	POWER SWITCH	1
35	SPRING (A)	1
36	LOCK-OFF DEVICE	1
37	SPRING (B)	1
38	SPONGE	1
39	WIREWAY 320MM	1
40	WIREWAY 615MM	1
41	WIREWAY 80MM	1
42	LEFT CASING	1
43	KEY	1
44	BEARING 6000-2Z	1
45	BEARING 607RS	1
46	BEARING 608-2RS	1
47	SCREW (B)	2
48	SCREW (C)	14
49	RETAINING RING	1
50	SNAP RING (A)	1
51	SNAP RING (B)	1
52	SCREW (D)	1
53	RIGHT CASING	1
54	CHAIN SCABBARD	1

PRORUN regularly improves our products, and you may find slight differences between your machine and descriptions contained within this parts list. Modifications can be made to the machine without notice and without the obligation to update the operator's manuals, provided that the essential safety and functional characteristic remain unaltered. Contact PRORUN Customer Service with any questions and current specifications.