

# PRORUN®

**POWER and RELIABILITY™**

**60V** *Lithium-Ion*

## PARTS LIST

**CORDLESS  
SELF-PROPELLED  
LAWN MOWER**

**MODEL: PLM16021SP**



Everything PRORUN

Please let us know what you think.  
To leave a review and see our full line of products, visit:

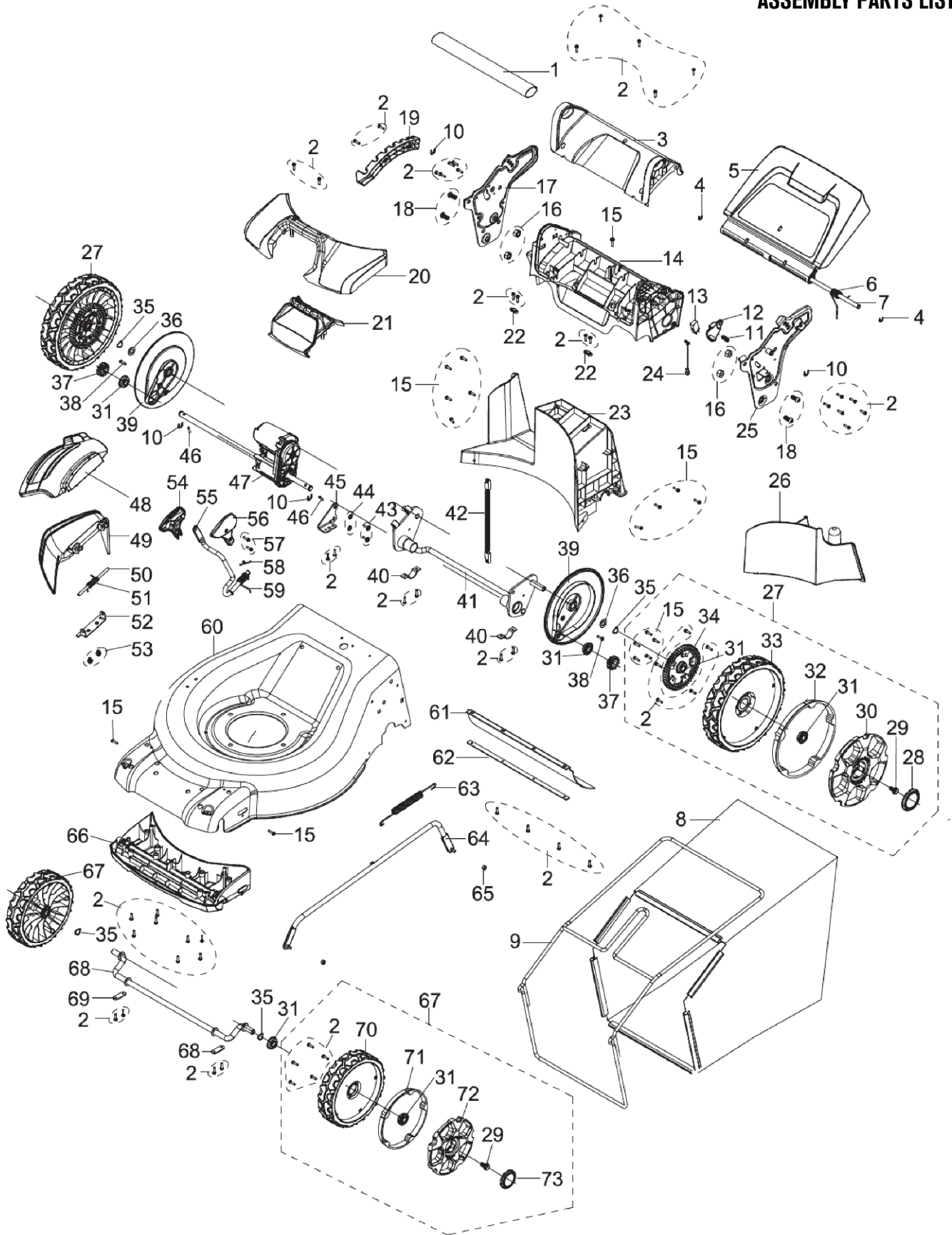
**proruntech.com** ★ ★ ★ ★ ★

1-844-905-0882, [info@proruntech.com](mailto:info@proruntech.com)

Version: A - Issue Date: 2023/12/04



ASSEMBLY PARTS LIST



**ASSEMBLY PARTS LIST**

| No. | Description                   | Qty |
|-----|-------------------------------|-----|
| 1   | REAR TRANSPORTING HANDLE      | 1   |
| 2   | SELF-TAPPING SCREW ST4 X 16   | 107 |
| 3   | REAR HANDLE BASE              | 1   |
| 4   | E RING 8                      | 2   |
| 5   | REAR DISCHARGE DOOR           | 1   |
| 6   | REAR DOOR TORSION SPRING      | 1   |
| 7   | REAR DOOR SHAFT               | 1   |
| 8   | GRASS CATCHER BAG             | 1   |
| 9   | GRASS CATCHER BRACKET         | 1   |
| 10  | E RING 9                      | 4   |
| 11  | SPRING                        | 1   |
| 12  | ROTATION BLOCK                | 1   |
| 13  | FOLD OPERATION SWITCH         | 1   |
| 14  | REAR BASE                     | 1   |
| 15  | SELF-TAPPING SCREW ST4.8 X 16 | 18  |
| 16  | NUT M10 X 1.5                 | 7   |
| 17  | RIGHT SIDE SUPPORT BRACKET    | 1   |
| 18  | BOLT M10 X 20                 | 4   |
| 19  | LIMITER                       | 1   |
| 20  | FRONT COVER                   | 1   |
| 21  | FRONT TRANSPORTING HANDLE     | 1   |
| 22  | WIRE FIXTURE                  | 4   |
| 23  | REAR GUARD                    | 1   |
| 24  | LEAD 22 AWG                   | 1   |
| 25  | LEFT SIDE SUPPORT BRACKET     | 1   |
| 26  | MULCH PLUG                    | 1   |
| 27  | REAR WHEEL ASSEMBLY           | 2   |
| 28  | REAR WHEEL CAP                | 2   |
| 29  | BOLT M8 X 20                  | 4   |
| 30  | REAR WHEEL PANEL              | 2   |
| 31  | BEARING                       | 10  |
| 32  | REAR WHEEL LINER              | 2   |
| 33  | REAR WHEEL                    | 2   |
| 34  | PASSIVE GEAR                  | 2   |
| 35  | SPRING WASHER $\phi$ 12       | 4   |
| 36  | PLATE WASHER 13 X 22 X 2.5    | 2   |

| No. | Description                   | Qty |
|-----|-------------------------------|-----|
| 37  | DRIVE GEAR                    | 2   |
| 38  | SCREW M5 X 10                 | 2   |
| 39  | INSIDE COVER                  | 2   |
| 40  | REAR WHEEL SHAFT CLAMP        | 2   |
| 41  | REAR WHEEL SHAFT              | 1   |
| 42  | WIRE 2 X 18AWG-500mm          | 1   |
| 43  | SELF-TAPPING SCREW ST4.8 X 13 | 2   |
| 44  | PLATE WASHER                  | 4   |
| 45  | SUPPORT BRACKET               | 2   |
| 46  | PIN                           | 2   |
| 47  | SELF-DRIVE MOTOR              | 1   |
| 48  | SIDE DISCHARGE COVER          | 1   |
| 49  | SIDE DISCHARGE CHUTE          | 1   |
| 50  | SIDE COVER SHAFT              | 1   |
| 51  | SIDE COVER TORSION SPRING     | 1   |
| 52  | SIDE COVER SHAFT BASE         | 1   |
| 53  | BOLT M6 X 8                   | 2   |
| 54  | ADJUST HANDLE LEFT COVER      | 1   |
| 55  | CUTTING HEIGHT LEVER          | 1   |
| 56  | ADJUST HANDLE RIGHT COVER     | 1   |
| 57  | SELF-TAPPING SCREW ST4 X 10   | 2   |
| 58  | COTTER PIN 3 X 20             | 1   |
| 59  | LEVER TORSION SPRING          | 1   |
| 60  | CUTTING-MEANS ENCLOSURE       | 1   |
| 61  | TRAILING SHIELD               | 1   |
| 62  | PLATE A                       | 1   |
| 63  | EXTENSION SPRING              | 1   |
| 64  | CONNECTING ROD                | 1   |
| 65  | NUT M6                        | 2   |
| 66  | FRONT GUARD                   | 1   |
| 67  | FRONT WHEEL ASSEMBLY          | 2   |
| 68  | FRONT WHEEL SHAFT             | 1   |
| 69  | PLATE B                       | 2   |
| 70  | FRONT WHEEL                   | 2   |
| 71  | FRONT WHEEL LINER             | 2   |
| 72  | FRONT WHEEL PANEL             | 2   |

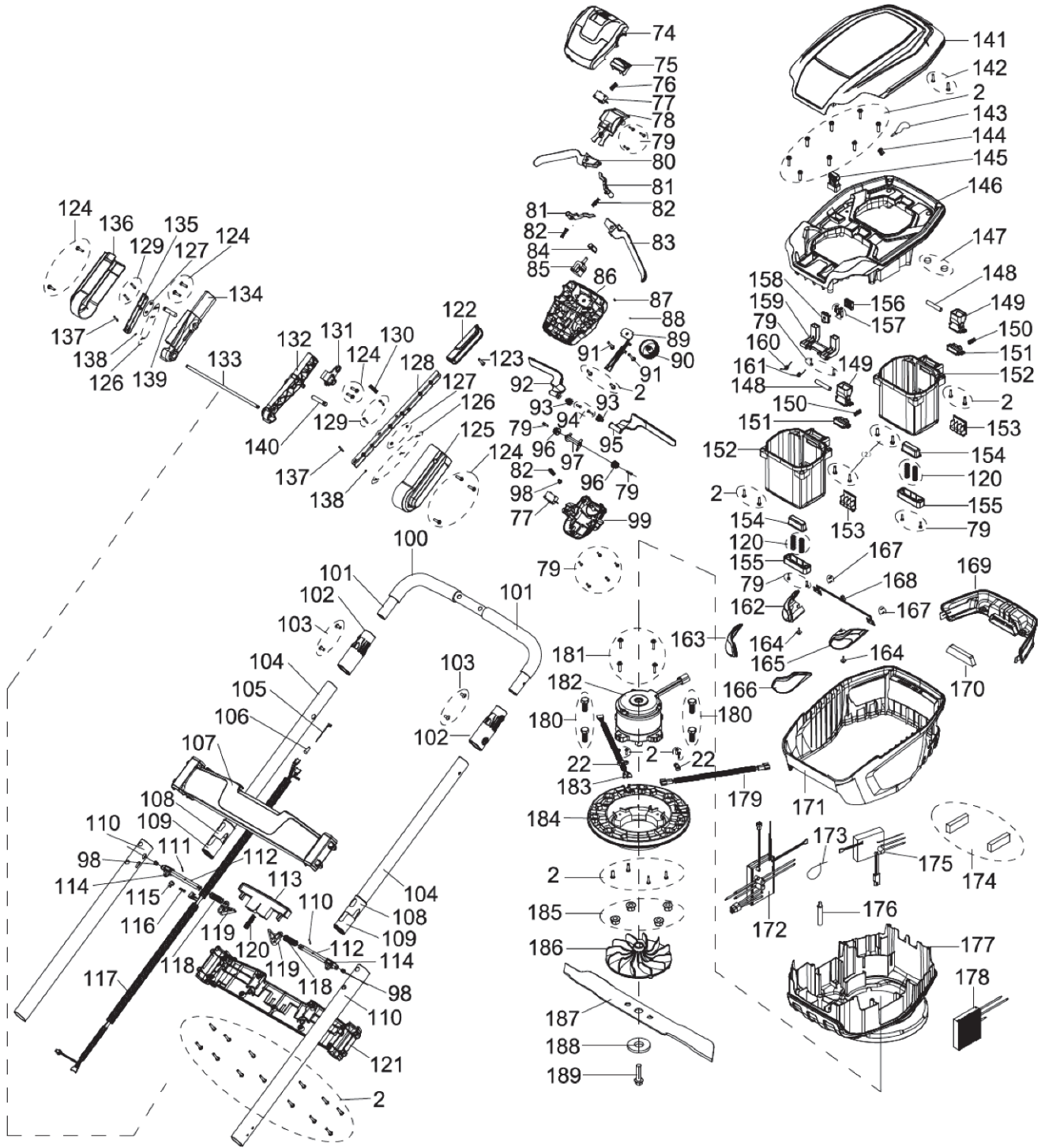
**ASSEMBLY PARTS LIST**

| No. | Description                   | Qty |
|-----|-------------------------------|-----|
| 73  | FRONT WHEEL COVER             | 2   |
| 74  | OPERATION PANEL COVER         | 1   |
| 75  | BLADE DRIVE SWITCH KNOB       | 1   |
| 76  | SPRING                        | 1   |
| 77  | BLADE DRIVE SWITCH            | 2   |
| 78  | BLADE DRIVE SWITCH BASS       | 1   |
| 79  | SELF-TAPPING SCREW ST2.9 X 12 | 16  |
| 80  | SELF-DRIVE RIGHT HANDLE       | 1   |
| 81  | CONNECTING LEVER              | 2   |
| 82  | SELF-DRIVE HANDLE SPRING      | 3   |
| 83  | SELF-DRIVE LEFT HANDLE        | 1   |
| 84  | SWITCH CAP                    | 1   |
| 85  | SELF-DRIVE SWITCH             | 1   |
| 86  | OPERATION PANEL CASE          | 1   |
| 87  | SPRING                        | 1   |
| 88  | STEEL BALL $\phi 3$           | 1   |

| No. | Description                   | Qty |
|-----|-------------------------------|-----|
| 89  | SELF-DRIVE ADJUSTING PCB      | 1   |
| 90  | DRIVE SPEED KNOB              | 1   |
| 91  | SELF-TAPPING SCREW ST4.2 X 28 | 2   |
| 92  | POWER SWITCH RIGHT HANDLE     | 1   |
| 93  | DRIVE CONE GEAR               | 2   |
| 94  | SELF-TAPPING SCREW ST2.9 X 18 | 2   |
| 95  | POWER SWITCH LEFT HANDLE      | 1   |
| 96  | PASSIVE CONE GEAR             | 2   |
| 97  | CONNECTING SHAFT              | 1   |
| 98  | SPRING CAP                    | 3   |
| 99  | OPERATION PANEL CAP           | 1   |
| 100 | HANDLEBAR GRIP SLEEVE         | 2   |
| 101 | HANDLEBAR                     | 1   |
| 102 | HANDLEBAR CONNECTOR           | 2   |
| 103 | RIVET 4.8 X 10                | 4   |
| 104 | TELESCOPIC RAILS              | 2   |



**ASSEMBLY PARTS LIST**



**ASSEMBLY PARTS LIST**

| No. | Description                   | Qty |
|-----|-------------------------------|-----|
| 105 | SINGLE WIRE 22AWG             | 1   |
| 106 | TERMINAL                      | 1   |
| 107 | TELESCOPIC CONTROL PANEL      | 1   |
| 108 | SLIDE TUBE                    | 2   |
| 109 | SLIDE BLOCK                   | 2   |
| 110 | LOWER RAIL                    | 2   |
| 111 | ELASTIC CYLINDRICAL PIN 3 X16 | 2   |
| 112 | SLIDE PIN                     | 2   |
| 113 | TELESCOPIC CONTROL BUTTON     | 1   |
| 114 | FIXTURE BLOCK                 | 2   |
| 115 | LOCKING BLOCK                 | 1   |
| 116 | LOCKING SPRING                | 1   |
| 117 | CABLE                         | 1   |
| 118 | SLIDE PIN SPRING              | 2   |
| 119 | ROTATION LEVER                | 2   |
| 120 | BUTTON RETURN SPRING          | 5   |
| 121 | TELESCOPIC CONTROL PANEL BASE | 1   |
| 122 | FOLD OPERATION HANDLE         | 1   |
| 123 | SELF-TAPPING SCREW ST5 X 14   | 1   |
| 124 | SCREW M4 X 10                 | 9   |
| 125 | LEFT COVER                    | 1   |
| 126 | COTTER PIN 1.6 X 10           | 6   |
| 127 | PLATE WASHER 4                | 4   |
| 128 | FOLD OPERATION LEVER          | 1   |
| 129 | PIN 4 X 20                    | 4   |
| 130 | RETURN SPRING                 | 1   |
| 131 | RETURN SPRING BASE            | 1   |
| 132 | LEFT RAIL BASE                | 1   |
| 133 | CONNECTION ROD                | 1   |
| 134 | RIGHT RAIL BASE               | 1   |
| 135 | LEVER                         | 1   |
| 136 | RIGHT CONNECTOR COVER         | 1   |
| 137 | PIN $\phi$ 3 X 20             | 2   |
| 138 | PLATE WASHER 3                | 2   |
| 139 | RIGHT POSITION PIN            | 1   |
| 140 | LEFT POSITION PIN             | 1   |
| 141 | BATTERY CHAMBER COVER         | 1   |
| 142 | SELF-TAPPING SCREW ST4 X 16   | 2   |
| 143 | RETAINER WIRE                 | 1   |
| 144 | RETAINER HOOK                 | 1   |
| 145 | SAFETY KEY                    | 1   |
| 146 | UPPER HOUSING                 | 1   |
| 147 | MAGNETIC IRON                 | 2   |

| No. | Description                   | Qty |
|-----|-------------------------------|-----|
| 148 | RELEASE BUTTON PIN            | 2   |
| 149 | BATTERY RELEASE BUTTON        | 2   |
| 150 | LATCH SPRING                  | 2   |
| 151 | LATCH                         | 2   |
| 152 | BATTERY CHAMBER               | 2   |
| 153 | TERMINAL BASE                 | 2   |
| 154 | RETURN CAP                    | 2   |
| 155 | RETURN CAP RETAINER           | 2   |
| 156 | LEFT KEY CASE                 | 1   |
| 157 | KEY CONNECTOR                 | 2   |
| 158 | RIGHT KEY CASE                | 1   |
| 159 | UPPER HOUSING LEVER           | 1   |
| 160 | RIGHT TORSION SPRING          | 1   |
| 161 | LEFT TORSION SPRING           | 1   |
| 162 | RIGHT LAMP HOLDER             | 1   |
| 163 | RIGHT LAMPSHADE               | 1   |
| 164 | SELF-TAPPING SCREW ST4 X16    | 2   |
| 165 | LEFT LAMP HOLDER              | 1   |
| 166 | LEFT LAMPSHADE                | 1   |
| 167 | SELF-TAPPING SCREW ST2.9 X 8  | 4   |
| 168 | LED LAMP PCB                  | 1   |
| 169 | REAR COVER                    | 1   |
| 170 | REAR FILTER                   | 1   |
| 171 | DECORATIVE COVER              | 1   |
| 172 | BLADE MOTOR CONTROLLER        | 1   |
| 173 | NYLON CABLE TIE               | 1   |
| 174 | DRIVE MOTOR CONTROLLER        | 1   |
| 175 | FILTER                        | 2   |
| 176 | DAMPER                        | 1   |
| 177 | LOWER BASE                    | 1   |
| 178 | BATTERY CONTROLLER            | 1   |
| 179 | MOTOR CABLE                   | 1   |
| 180 | LEAD 22AWG                    | 4   |
| 181 | SELF-TAPPING SCREW ST4.8 X 19 | 4   |
| 182 | BLADE MOTOR                   | 1   |
| 183 | POWER CABLE                   | 1   |
| 184 | BLADE MOTOR BASE              | 1   |
| 185 | SELF-TAPPING SCREW ST4 X 12   | 4   |
| 186 | FAN                           | 1   |
| 187 | CUTTING BLADE                 | 1   |
| 188 | DISC WASHER                   | 1   |
| 189 | BLADE BOLT M10 X 1.25 X 35    | 1   |

PRORUN regularly improves our products, and you may find slight differences between your machine and descriptions contained within this parts list. Modifications can be made to the machine without notice and without the obligation to update the operator's manuals, provided that the essential safety and functional characteristic remain unaltered. Contact PRORUN Customer Service with any questions and current specifications.