

# PRORUN®

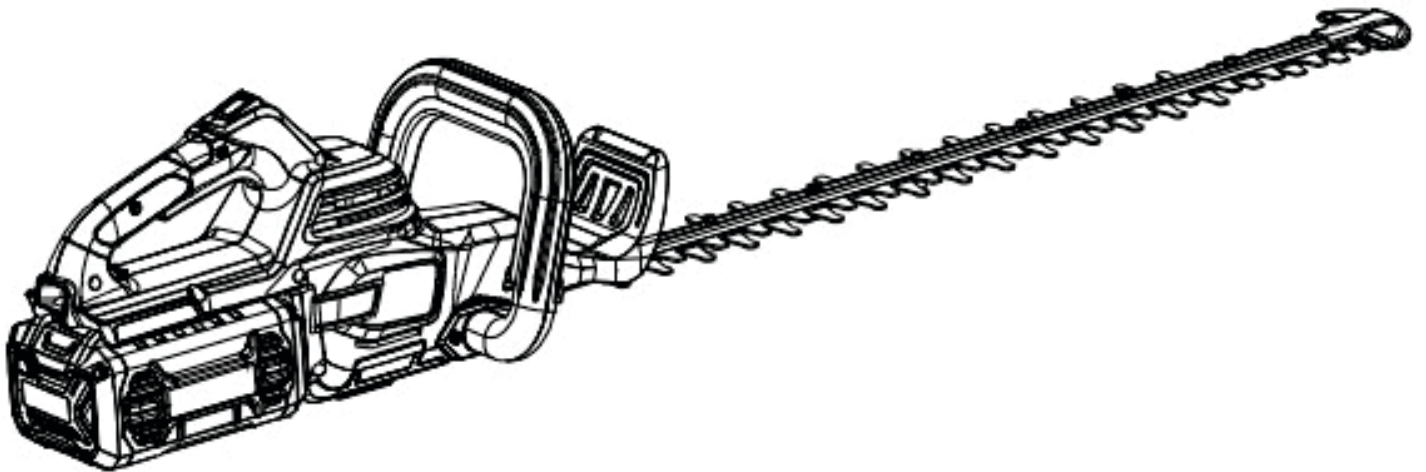
**POWER and RELIABILITY™**

**60V** *Lithium-Ion*

## PARTS LIST

### CORDLESS HEDGE TRIMMER

MODEL: PHT160H



Everything PRORUN

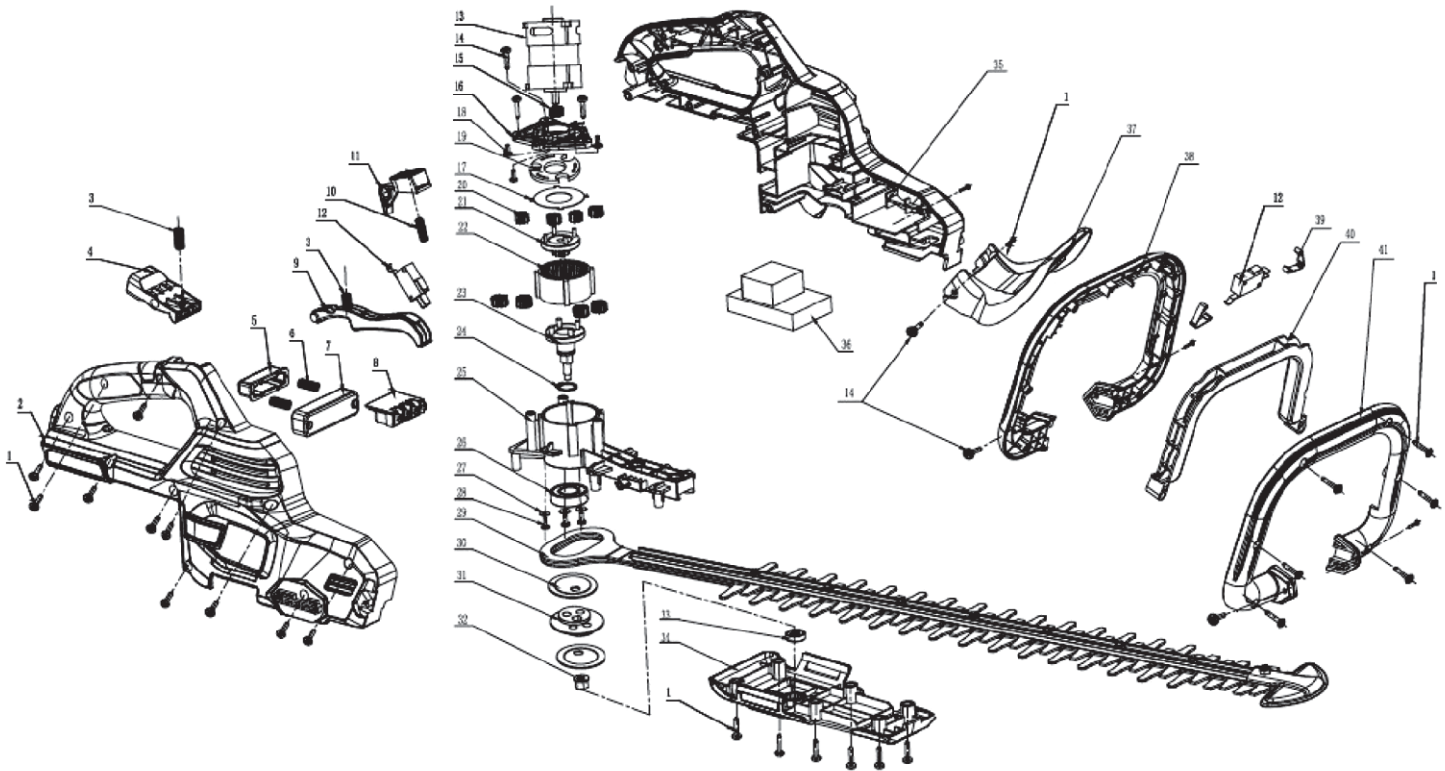
Please let us know what you think.  
To leave a review and see our full line of products, visit:

**proruntech.com** ★ ★ ★ ★ ★

1-844-905-0882, [info@proruntech.com](mailto:info@proruntech.com)

Version: A - Issue Date: 2023/12/04

**ASSEMBLY PARTS LIST**



No.	Description	Qty
1	SELF-TAPPING SCREW ST4 X 16	22
2	RIGHTT HOUSING	1
3	RELEASE BUTTON SPRING	2
4	RELEASE BUTTON	1
5	BUMPER	1
6	BUFFER SPRING	2
7	BUMPER BASE	1
8	TERMINAL BASE	1
9	TRIGGER SWITCH	1
10	TRIGGER LOCK-OFF SPRING	1
11	TRIGGER LOCK-OFF	1
12	SIGNAL SWITCH	2
13	MOTOR	1
14	SELF-TAPPING SCREW ST4.2 X 16	9
15	SUN GEAR	1
16	GEARBOX COVER	1
17	WASHER	1
18	SCREW M5 X 12	3
19	FELT	1
20	PLANET GEAR	8
21	INITIAL PLANET GEAR BRACKET	1

No.	Description	Qty
22	RETAINER	1
23	SECOND PLANET GEAR BRACKET	1
24	SHAFT CIRCLE CIRCLIP	1
25	GEARBOX	1
26	BEARING 6002Z	1
27	PLATE WASHER 3	3
28	SELF-TAPPING SCREW ST3 X 8	3
29	CUTTING ATTACHMENT	1
30	FIXING PLATE	2
31	ECCENTRICITY PLATE	1
32	NUT M6	1
33	BEARING 625Z	1
34	GEARBOX HOUSING	1
35	LEFT HOUSING	1
36	MOTOR CONTROLLER	1
37	FRONT HANDLE BARRIER	1
38	FRONT HANDLE REAR HALF	1
39	BELT SPRING	2
40	FRONT BLADE CONTROL	1
41	FRONT HANDLE FRONT HALF	1

PRORUN regularly improves our products, and you may find slight differences between your machine and descriptions contained within this parts list. Modifications can be made to the machine without notice and without the obligation to update the operator's manuals, provided that the essential safety and functional characteristic remain unaltered. Contact PRORUN Customer Service with any questions and current specifications.