

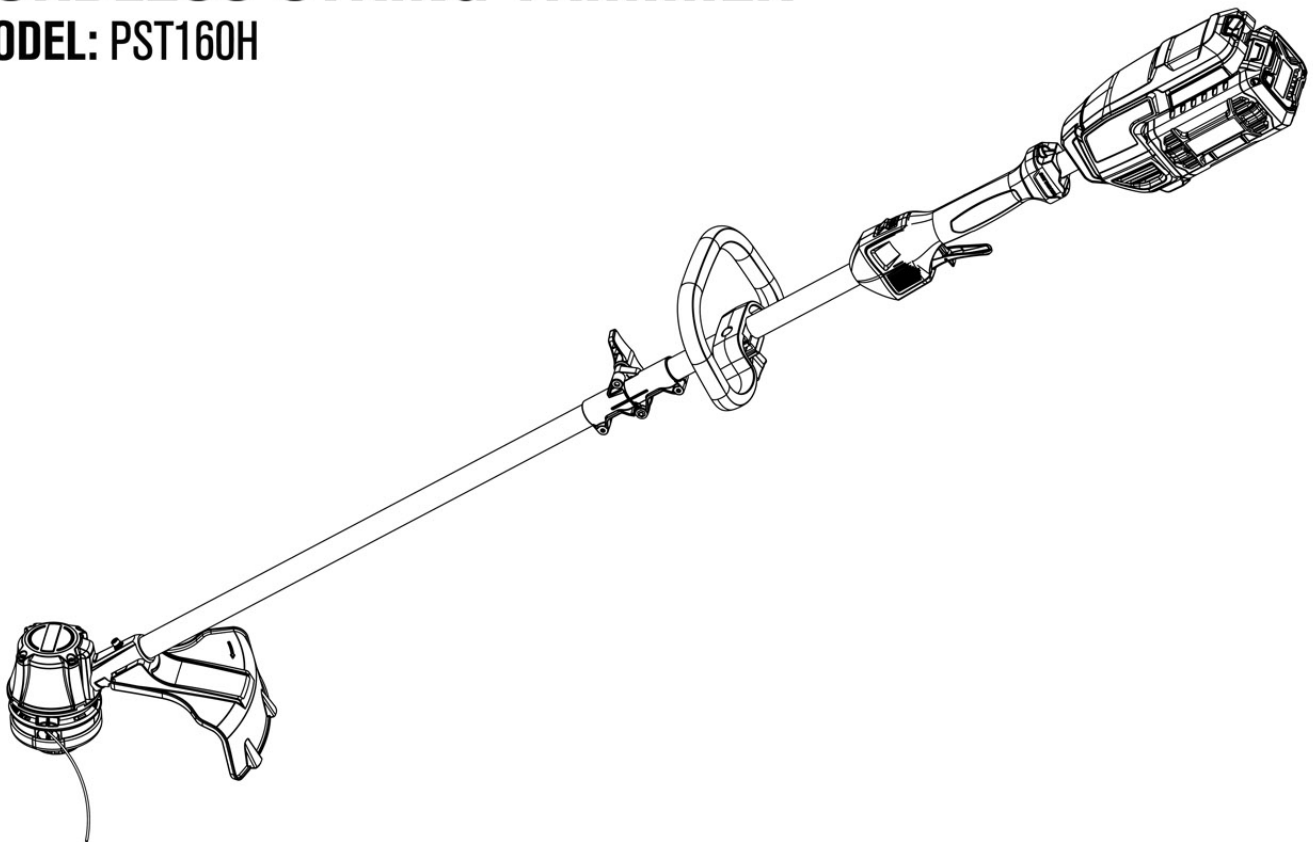
# PRORUN<sup>®</sup>

**60V** /// *Lithium-Ion*

## Operator's Manual

### CORDLESS STRING TRIMMER

MODEL: PST160H



Before charging, read the instructions.

**⚠ IMPORTANT - READ CAREFULLY BEFORE USE**

**⚠ IMPORTANT SAFETY INSTRUCTIONS - SAVE THESE INSTRUCTIONS**



**WARNING:** To reduce the risk of injury, the user must read and understand the Operator's Manual before using this product. Save these instructions for future reference.

Please let us know what you think.  
To leave a review and see our full line of products, visit:

**proruntech.com** ★ ★ ★ ★ ★  
1-844-905-0882, info@proruntech.com

## Table of Contents

---

1. GENERAL MACHINE SAFETY WARNINGS	1
2. SAFETY INSTRUCTIONS FOR STRING TRIMMER	3
3. TRANSPORTATION AND STORAGE	5
4. BATTERY AND BATTERY CHARGER	6
5. SYMBOLS	9
6. SPECIFICATIONS	11
7. KNOW YOUR STRING TRIMMER	12
8. BATTERY AND CHARGER OPERATION	13
9. ASSEMBLY INSTRUCTIONS	14
10. OPERATION	16
11. MAINTENANCE AND REPAIR	20
12. TRANSPORTING, CLEANING, AND STORING	21
13. TROUBLESHOOTING	22
14. DISPOSAL	22
15. EXPLODED VIEW	23
16. EC DECLARATION	26
Contents	
17. English (Original instructions)	01-26
18. Deutsch (Übersetzung der Originalbetriebsanleitung)	Page TBD
19. Français	Page TBD
20. Español	Page TBD
21. Italiano	Page TBD

# 1. GENERAL MACHINE SAFETY WARNINGS

**⚠ WARNING** Read all safety warnings, instructions, illustrations, and specifications provided with this machine. Failure to

*follow the warnings and instructions may result in electric shock, fire, and/or serious injuries.*

**Save all warnings and instructions for future reference.**

*The term “machine” in all of the warnings listed below refers to your battery operated (cordless) machine.*

## ● Work area safety

**a) Keep work area clean and well lit.** *Cluttered or dark areas invite accidents.*

**b) Do not operate machines in explosive atmospheres, such as in the presence of flammable liquids, gases, or dust.** *Machines create sparks which may ignite the dust or fumes.*

**c) Keep children and bystanders away while operating a machine.** *Distractions can cause you to lose control.*

## ● Electrical safety

**a) Avoid body contact with earthed or grounded surfaces such as pipes, radiators, ranges, and refrigerators.** *There is an increased risk of electric shock if your body is earthed or grounded.*

**b) Do not expose machines to rain or wet conditions.** *Water entering a machine will increase the risk of electric shock.*

**c) Do not abuse the battery charger cord. Never use the cord for carrying.**

*Keep cord away from heat, oil, sharp edges, or moving parts. Damaged or entangled cords increase the risk of electric shock.*

## ● Personal safety

**a) Stay alert, watch what you are doing, and use common sense when operating a machine. Do not use a machine while you are tired or under the influence of drugs, alcohol, or medication.** *A moment of inattention while operating machines may result in serious personal injury.*

**b) Use personal protective equipment. Always wear eye protection.** *Protective equipment such as dust mask, non-skid safety shoes, hard hat, or hearing protection used for appropriate conditions will reduce personal injuries.*

**c) Prevent unintentional starting. Ensure the switch is in the off position before connecting battery pack and/or to power source, picking up or carrying the machine.** *Carrying machines with your finger on the switch or energizing machines that have the switch on invites accidents.*

**d) Remove any adjusting key or wrench before turning the**

**machine on.** *A wrench or a key left attached to a moving part of machine may result in personal injury.*

**e) Do not overreach. Keep proper footing and balance at all times.** *This enables better control of the machine in unexpected situations.*

**f) Dress properly. Do not wear loose clothing, or jewelry. Keep your hair, clothing, and gloves away from moving parts.** *Loose clothes, jewelry, or long hair can be caught in moving parts.*

**g) If devices are provided for the connection of dust extraction and collection facilities, ensure these are connected and properly used.** *Use of these devices can reduce dust-related hazards.*

**h) Do not let familiarity gained from frequent use of tools allow you to become complacent and ignore tool safety principles.** *A careless action can cause severe injury within a fraction of a second.*

### ● **Machine use and care**

**a) Do not force the machine. Use the correct machine for your application.** *The correct machine will do the job better and safer at the rate for which it was designed.*

**b) Do not use the machine if the switch does not turn it on and off.** *Any machine that cannot be controlled with the switch is dangerous and must be repaired.*

**c) Remove the battery pack from the machine before making any adjustments, changing accessories, or storing machines.** *Such preventive safety measures reduce the risk of starting the power tool accidentally.*

**d) Store idle machines out of the reach of children and do not allow persons unfamiliar with the machine or these instructions to operate the machine.** *Machines are dangerous in the hands of untrained users.*

**e) Maintain machines and accessories. Check for misalignment or binding of moving parts, breakage of parts, and any other condition that may affect the machine's operation. If damaged, have the machine repaired before use.** *Many accidents are caused by poorly maintained machines.*

**f) Keep cutting tools sharp and clean.** *Properly maintained cutting tools with sharp cutting edges are less likely to bind and are easier to control. Use only trimmer line as outlined in operator's manual.*

**g) Use the machine, accessories, and tool bits etc. in accordance with these instructions, taking into account the working conditions and the work to be performed.** *Use of the machine for operations different from those intended could result in a*



hazardous situation.

**h) Keep handles and grasping surfaces dry, clean, and free from oil and grease.** *Slippery handles and grasping surfaces do not allow for safe handling and control of the tool in unexpected situations.*

### ● **Battery tool use and care**

**a) Recharge only with the charger specified by the manufacturer.** *A charger that is suitable for one type of battery pack may create a risk of fire when used with another battery pack.*

**b) Use machines only with specifically designated battery packs.** *Use of any other battery packs may create a risk of injury and fire.*

**c) When battery pack is not in use, keep it away from other metal objects, like paper clips, coins, keys, nails, screws, or other small metal objects, that can make a connection from one terminal to another.** *Shorting the battery terminals together may cause burns or a fire.*

**d) Under abusive conditions, liquid may be ejected from the battery; avoid contact. If contact accidentally occurs, flush with water. If liquid contacts eyes, additionally seek medical help.** *Liquid ejected from the battery may cause irritation or burns.*

**e) Do not use a battery pack or tool that is damaged or modified.** *Damaged or modified batteries may exhibit unpredictable behavior resulting in fire, explosion, or risk of injury.*

**f) Do not expose a battery pack or tool to fire or excessive temperature.** *Exposure to fire or temperature above 212°F (100°C) may cause explosion.*

**g) Follow all charging instructions and do not charge the battery pack or tool outside the temperature range specified in the instructions.** *Charging improperly or at temperatures outside the specified range may damage the battery and increase the risk of fire.*

### ● **Service**

**a) Contact PRORUN Customer Service with questions or issues with this machine.** *This will ensure that the safety of the power tool is maintained.*

**b) Never service damaged battery packs.** *Service of battery packs should only be performed by the manufacturer or authorized service providers.*

**⚠️ WARNING: Read all instructions before using this appliance.**

**⚠️ WARNING: When using electric gardening appliances, basic safety precautions should always be followed to reduce the**

risk of fire, electric shock, and personal injury, including the following:

- **Training**

a) **Read the instructions carefully.** *Be familiar with the controls and the correct use of the machine.*

b) **Keep in mind, that the operator or user is responsible for accidents or hazards occurring to other people or their property.**

- **Preparation**

a) **This machine is designed for maintaining lawns and gardens in the manner and in the conditions described in this manual.** *Use of the machine for operations different than intended could result in serious injury or death.*

– *Do not use it for any other purposes. Misuse may result in personal injury or property damage, including damage to the machine.*

– *Use the machine, battery, and charger only as described in this manual.*

## **2. SAFETY INSTRUCTIONS FOR STRING TRIMMER**

- **General string trimmer safety warnings:**

a) **Do not use the machine in bad weather conditions,**

- especially when there is a risk of lightning. This decreases the risk of being struck by lightning.*
- b) Thoroughly inspect the area for wildlife where the machine is to be used.** *Wildlife may be injured by the machine during operation.*
  - c) Thoroughly inspect the area where the machine is to be used and remove all stones, sticks, wires, bones, and other foreign objects.** *Thrown objects can cause personal injury.*
  - d) Before using the machine, always visually inspect to see that the trimmer head (bump head) and cutting guard are not damaged and the trimmer head has trimmer line properly installed. Damaged parts increase the risk of injury.**
  - e) Follow instructions for changing accessories.** *Improperly tightened trimmer head, cutting guard, or front handle securing nuts and bolts may either damage the string trimmer or result in it becoming detached.*
  - f) Wear eye, ear, head, and hand protection.** *Adequate protective equipment will reduce personal injury by flying debris or accidental contact with the cutting line or blade.*
  - g) While operating the machine, always wear non-slip and protective footwear. Do not operate the machine when barefoot or wearing open sandals. This reduces the chance of injury to the feet from contact with the moving cutters or lines.**
  - h) While operating the machine, always wear long trousers.** *Exposed skin increases the likelihood of injury from thrown objects.*
  - i) Keep bystanders away while operating the machine.** *Thrown debris can result in serious personal injury.*
  - j) Always use two hands when operating the machine.** *Holding the machine with both hands will avoid loss of control.*
  - k) Hold the machine by the insulated gripping surfaces only because the trimming line may contact hidden wiring. Cutting line contacting a "live" wire may make exposed metal parts of the machine "live" and could give the operator an electric shock.**
  - l) Always keep proper footing and operate the machine only when standing on the ground.** *Slippery or unstable surfaces may cause a loss of balance or control of the machine.*
  - m) Do not operate the machine on excessively steep slopes.** *This reduces the risk of loss of control, slipping and falling which may result in personal injury.*
  - n) When working on slopes, always be sure of your footing, always work across the face of slopes, never up or down and exercise extreme caution when changing direction. This reduces the risk of loss of control, slipping and falling which may result in personal injury.**

**o) Keep all parts of the body away from the trimmer head and trimmer line while the machine is operating. Before you start the machine, make sure the trimmer head and trimmer line are not contacting anything. A moment of inattention while operating the string trimmer may cause entanglement or personal injury from flying debris.**

**p) Do not operate the machine above waist height. This helps prevent unintended trimmer head and trimmer line contact and enables better control of the machine in unexpected situations.**

**q) When cutting brush or saplings that are under tension, be alert for spring back. When the tension in the wood fibers is released, the brush or sapling may strike the operator and/or throw the machine out of control.**

**r) Use extreme caution when cutting brush and saplings. The slender material may catch the trimmer head and trimmer line and be whipped toward you or pull you off balance.**

**s) Maintain control of the machine and do not touch trimmer head and trimmer line and other hazardous moving parts while they are still in motion. This reduces the risk of injury from moving parts.**

**t) When clearing jammed material or servicing the machine, make sure the switch is off and the battery pack is removed. Unexpected starting of the machine while clearing jammed material or servicing may result in serious personal injury.**

**u) Carry the machine with the machine switched off and away from your body. Proper handling of the machine will reduce the likelihood of accidental contact with a moving trimmer head and trimmer line.**

**v) Only use replacement cutters, lines, cutting heads and blades. Incorrect replacement parts may increase the risk of breakage and injury.**

**w) Inspect machine for damage upon striking a hard object or if there appears to be excessive vibration.**

**x) Keep hands away from any sharp device intended to limit the length of the filament line.**

### **3. TRANSPORTING AND STORAGE**

**a) Unintentional starting may result in personal injury or property damage. Remove the battery before inspecting the string trimmer or carrying out any cleaning, maintenance, repair work, before storing, and any other time the string trimmer is not in use.**

**b) Improper storage can result in unauthorized use, damage to the machine, battery, and charger or an increased risk of fire, electric shock, and other personal injuries or property**

## **damage.**

- *Before storing, always unplug the charger from the wall outlet and remove the battery.*
- *Store the machine, battery, and charger indoors in a dry, secure place out of the reach of children and other unauthorized users.*

## **4. BATTERY AND BATTERY CHARGER**

This section describes the battery and battery charger safety for your battery product.

Only use original batteries for products and only charge them in an original battery charger.

### **● Battery charger**

**The battery chargers are only used for charging of PRORUN® 60V replacement batteries.**

- This manual contains important safety and operating instructions for battery charger.
- Before using battery charger, read all instructions and cautionary markings on battery charger, and product using battery.

**⚠ CAUTION! Charge only Li-ion batteries recommended by the manufacturer.**

- Other types of batteries may burst causing personal injury and damage.
- If the shape of the plug does not fit the power outlet, use an attachment plug adapter of the proper configuration for the power outlet.

**⚠ WARNING! Minimize the risk of electric shock or short circuit as follows:**

- Never insert any object into the charger's cooling slots. Do not try to dismantle the battery charger.
- Never connect the charger terminals to metal objects as this can short circuit the battery charger.
- Use approved and intact wall sockets.

**⚠ WARNING! This machine produces an electromagnetic field during operation. This field may under some circumstances interfere with active or passive medical implants. To reduce the risk of serious or fatal injury, we recommend persons with medical implants consult their physician and the medical implant manufacturer before operating this machine. Do not use product when a thunderstorm is approaching.**

- Unplug the charger from the wall outlet before inspecting or



cleaning the charger.

- Regularly check that the battery charger connection wire is intact and that there are no cracks in it. Replace the charger if the power supply cord becomes worn or damaged. The power supply cord cannot be repaired or replaced.
- Never carry the battery charger using the cord and never pull out the plug by pulling the cord.
- Keep all cords and extension cords away from water, oil, and sharp edges. Make sure the cord is not pinched in doors, fences, or the like. Otherwise, it can cause the object to become live.
- Never clean the battery or the battery charger with water.
- Never allow the children to use the battery charger. When charging, the charger must be placed in a well-ventilated area and under a roof to keep out moisture.

**⚠ WARNING! Do not charge non-rechargeable batteries in the battery charger or use them in the machine.**

**⚠ WARNING! Do not use the battery charger close to corrosive or flammable materials. Do not cover the battery charger. Pull out the plug to the battery charger in the event of smoke or fire.**

- Use the battery charger only when the surrounding temperature is between 41 °F (5 °C) and 113 °F (45 °C). Use the charger in an environment which is well ventilated, dry, and free from dust.

**Do not use:**

- A faulty or damaged battery charger
- The battery in the battery charger outdoors.

**Do not charge:**

- Or never use a faulty, damaged, or deformed battery.
- The battery in the rain or in wet conditions.
- The battery in direct sunlight.





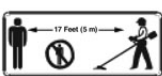















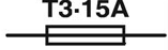

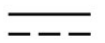
## ● **Battery**

- Do not dismantle, open or shred secondary batteries.
- Keep batteries out of the reach of children.
- Do not expose batteries to heat or fire. Avoid storage in direct sunlight.
- Do not short-circuit a battery. Do not store batteries haphazardly in a box or drawer where they may short-circuit each other or be short-circuited by other metal objects.
- Do not remove a battery from its original packaging until required for use.
- Do not subject batteries to mechanical shock.
- In the event of a cell leaking, do not allow the liquid to come in contact with the skin or eyes. If contact has been made, wash the affected area with copious amounts of water and seek medical advice.
- Do not use any charger other than that specifically provided for use with the equipment.
- Do not use any battery which is not designed for use with the equipment.
- Always purchase the battery recommended by the device manufacturer for the equipment.
- Keep batteries clean and dry.
- Wipe the battery terminals with a clean dry cloth if they become dirty.
- Secondary batteries need to be charged before each use. Always use the correct charger and refer to the manufacturer's instructions or equipment manual for proper charging instructions.
- Do not leave a battery on prolonged charge when not in use.
- After extended periods of storage, it may be necessary to charge and discharge the batteries several times to obtain maximum performance.
- Retain the original product literature for future reference.
- Use the battery only in the application for which it was intended. When possible, remove the battery from the equipment when not in use.
- Dispose of properly.

## 5. SYMBOLS

This page depicts and describes safety symbols that may appear on this product. Read, understand, and follow all instructions on the machine before attempting to assemble and operate it.

	<b>Safety Alert</b>	Because a string trimmer is a high-speed cutting tool, special safety precautions must be observed to reduce the risk of personal injury.
	<b>Read the Operator's Manual</b>	It is important that you read, fully understand, and observe the following safety precautions and warnings. Read the operator's manual and the safety precautions periodically.
	<b>Do not expose to rain</b>	Protect the tool, battery, and charger from rain, water, liquids, and damp conditions. Keep the tool, battery, and charger dry.
	<b>Beware of thrown objects</b>	Watch out for thrown objects and ricochets to reduce the risk of serious or fatal injury to the operator or bystanders.
	<b>Keep bystanders away</b>	The distance between the machine and bystanders shall be at least 17 ft. (5 m).
	<b>Do not use metals</b>	Do not use metal blades, use recommended flexible cutting lines only.
	<b>Wear eye and ear protection</b>	To reduce the risk of injury to you, always wear safety goggles or safety glasses, sound barriers when operating this product.
	<b>Wear protective gloves</b>	Always wear heavy duty nonslip gloves when handling the machine.
	<b>Wear safety footwear</b>	Wear sturdy boots with nonslip soles. Never wear sandals, flip-flops or go barefoot.
	<b>Remove the battery</b>	Disconnect or remove the battery from the string trimmer before cleaning or maintenance.
	<b>Rotation speed and direction</b>	Maximum speed and rotation direction of output shaft. ≤ 6000 n/min
	<b>Never expose to fire</b>	Risk of fire, explosion and/or burns, including chemical burns. Never incinerate or place the battery on or near fires, stoves, or other high-temperature locations.
	<b>Never heat the battery</b>	Do not disassemble, crush, heat above 212°F (100°C). Never expose the battery to high pressures.

	Never immerse in water	To reduce the risk of personal injury or property damage from a short circuit, fire, or explosion. Never immerse the battery in water or other liquids.
	Recycling	Take the string trimmer, charger, accessories, and packaging to an approved disposal site for environmentally friendly recycling.
	Waste	Symbols on the product or its packaging indicate that this product cannot be handled as domestic waste. This product must be deposited at an appropriate recycling facility.
	Indoor use only	Use and store charger only indoors in dry rooms.
	Class II tool	Battery charger belongs to Class II tools. It is intended for charging Li-ion batteries and having an output at safe extra-low voltage.
	Fuse Alternating	T3.15A time-lag miniature fuse-link
	Current Lithium-ion	Type of current
<b>Li-Ion</b>	battery	Type of battery
	Direct Current	Type of current

This below units may be used in manual:

V	Volts	Voltage
A	Amperes	Current
Hz	Hertz	Frequency(cycles per second)
W	Watts	Power
min	Minutes	Time
mm	Millimeter	Length or size
in.	Inch	Length or size
Kg	Kilogram	Weight
Lbs.	Pound	Weight
RPM	Revolutions per minute	Rotational speed

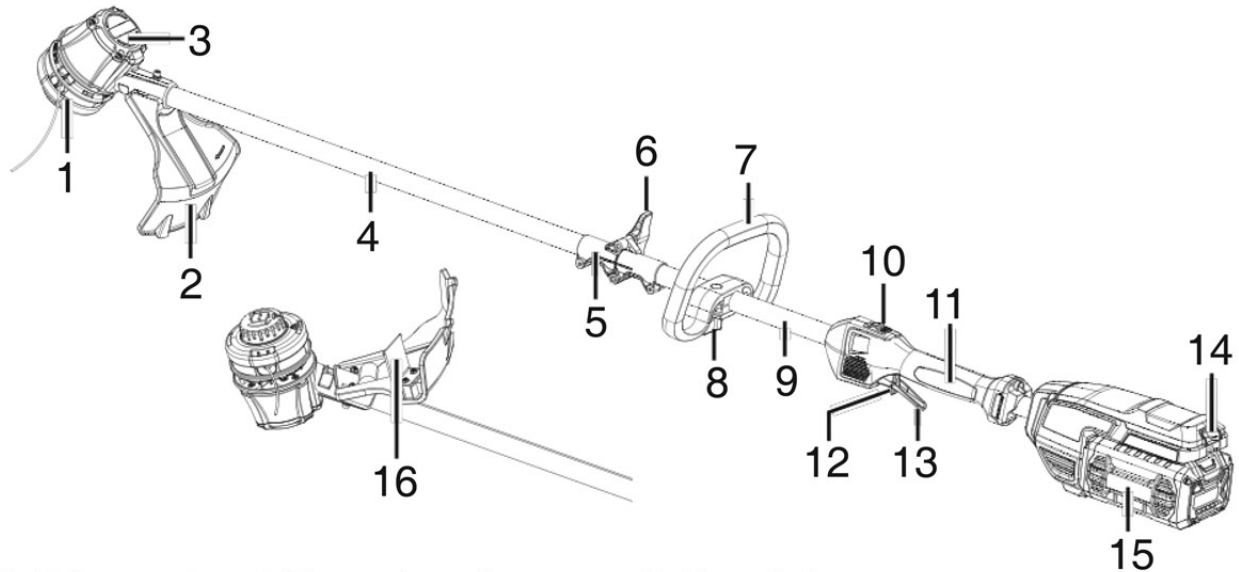
**⚠ DANGER!** People with electronic devices, such as pacemakers, should consult their physician(s) before using this product. Operation of electrical equipment in close proximity to a heart pacemaker could cause interference or failure of the pacemaker.

## 6. SPECIFICATIONS

Machine model	PST160H
Voltage	DC 60V
Motor type	Permanent Magnet DC
Maximum speed of output shaft	6000 RPM (high), 4500 RPM (low)
Cutting width	14 inches (355 mm) 16 inches (410 mm)
Weight (without battery)	6.17 Lbs. (2.8 Kg)
Diameter or cutting line	0.095 inches or 0.08 inches (2.4 mm or 2.0 mm)
Vibration according to IEC 62841-4-1*	Front handle: 4.07 m/s <sup>2</sup> Rear handle: 3.19 m/s <sup>2</sup>
The vibration uncertainties value	K=1.5 m/s <sup>2</sup>
Battery charger	PC16026
Charger input	AC 100-240 V, 50/60 Hz, 170 W
Charger output	DC 62.4 V, 2.6 A
Battery	PB16050 or PB16025
Battery rated parameter	DC 54 V, 5.0 Ah or 2.5Ah

\*The declared vibration total value has been measured in accordance with a standard test method and may be used for comparing one tool with another. The declared vibration total value may also be used in a preliminary assessment of exposure. The vibration emission during actual use of the power tool can differ from the declared total value depending on the ways in which the tool is used.

## 7. KNOW YOUR STRING TRIMMER



### 1. Trimmer head (Bump head)

Stores the flexible trimming line and releases additional line when the bump head is lightly tapped on the ground during operation.

### 2. Cutting guard

Reduces the risk of injury from foreign objects flung backwards toward the operator and from contact with the cutting line.

### 3. Motor housing

Supports and drives the trimmer head and trimming line.

### 4. Front tube

Supports the motor and trimmer head.

### 5. Foldable hinge connector

Connects and locks the two foldable shafts for setting the machine in transport and store position.

### 6. Locking knob

Secures the two foldable shafts in operation position.

### 7. Adjustable front-assist handle

Held by the left hand for easy steering and handling of the trimmer during cutting.

### 8. Front handle knob

Secures adjustable handle

### 9. Rear tube

Supports the battery base and handles.

### 10. Speed switch

Sets the motor speed to High or Low.

### 11. Rear handle

Held by the right hand for easy control and operation of the trimmer during cutting.

### 12. Trigger lock-out

Helps prevent accidental or unauthorized activation of the machine. It must be depressed before the trigger can be activated.

### 13. Variable-speed switch trigger

Turns the string trimmer On and Off and adjusts the trimmer head speed.

### 14. Battery release button

Secures the battery in the machine and releases the battery from the machine.

### 15. Battery

Supplies electrical power to the motor.

### 16. Line-cutting blade

Steel blade on the guard that maintains the trimming line at the proper length.

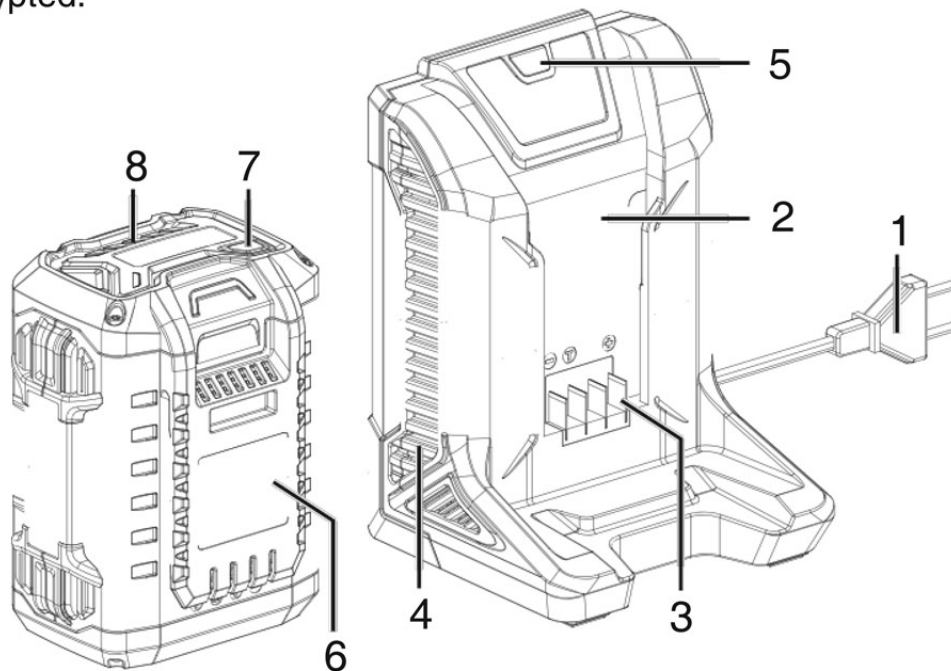
**IMPORTANT!** The safe use of this product requires an understanding of the information located on the product and in this operator's manual, as well as a knowledge of the projects you are attempting. Before use of this product, familiarize yourself with all operating features and safety rules.

This machine is intended to cut weeds, lawn grass or similar soft vegetation. This machine must not be used for cutting other materials, such as plastic, stone, metal, wood that contains foreign objects, or materials that are harmful to health. This machine should not be used for cutting brush, wooden vegetation, young trees, or thicker vegetation.

## 8. BATTERY AND CHARGER OPERATION

This section describes the battery and battery charger safety for your battery product.

Only use PRORUN® original batteries for PRORUN products and only charge them in an original battery charger from PRORUN. The batteries are software encrypted.



- |                        |                                  |
|------------------------|----------------------------------|
| 1. Electric plug       | 5. Charger LED light             |
| 2. Battery charger     | 6. Battery                       |
| 3. Electrical terminal | 7. Electric charge status button |
| 4. Cooling slots       | 8. 5 LED charge status indicator |

**NOTE!** The specifications of the plugs can be different by country, the picture is only for reference. If the shape of the plug does not fit the power outlet, use an attachment plug adapter of the proper configuration for the power outlet

**⚠ WARNING! Risk of electric shock and short circuiting.** Use approved and intact wall sockets. Make sure that the power cord is not damaged. Replace power cord if it appears to be damaged in any way.

### ● Connect the battery charger

Connect the battery charger (2) to the voltage and frequency specified on the rating plate.

- Put the electric plug (1) in an earthed or grounded socket-outlet.
- The charging indication LED (5) will shine green indicating that the charger is working correctly.
- After 5 second, the light will turn off if no battery in the charger.

### ● Connect the battery to the battery charger

The battery (6) must be charged before using it the first time. The battery is only 30% charged when delivered.

**NOTE!** Monitor the charging process while charging a battery. It is recommended to remove the battery from the battery charger when the battery is fully charged, or the charger is disconnected from the power supply.

- Align the raised ribs of the battery pack with the mounting slots in the charger; slide the battery pack down onto the charger and engage the battery with the charger's electrical terminals.
- The charger will communicate with the battery pack to evaluate the condition of the battery pack.
- While the battery pack is charging, the charger LED light (5) will shine as follows to indicate the



charging process and levels:



The charger's LED light flashes green when the battery is charging.



The charger's LED light shines consistently green if the battery is fully charged.



The battery will not be charged if the battery temperature is in deviation from normal. In that case the fault LED light flashes red until the battery cools or heats to normal temperature.



**NOTE!** The battery will never be charged if the battery is damaged. In that case the charger LED light shine consistently red.

- The five LEDs on the battery pack indicate the current charged power level. Press the battery's electric energy button to check the power level of the battery.
- When the battery is full charged, the battery charger will stop charging (switch to stand by).
- It is recommended to remove the battery from the battery charger when the battery is fully charged, or the charger is disconnected from the power supply.
- Pull out the plug. Never use the power supply cable to disconnect the charger from the wall socket.

● **Maintenance**

- Make sure the battery and battery charger are clean and that the terminals on the battery and the battery charger are always clean and dry before the battery is placed in the battery charger.
- Keep the battery guide tracks clean. Clean plastic parts with a clean and dry cloth.

● **Transport and storage**

- Store the equipment in a lockable area so that it is out of reach of children and unauthorized persons.
- Store the battery and the battery charger in a dry, moisture-free, and frost-free space.
- Store the battery where the temperature is between 41 °F (5 °C) and 77 °F (25 °C) and never in direct sunlight.
- Store the battery charger only in an enclosed and dry space.
- Be sure to store the battery separate from the battery charger

● **Fault codes**

Troubleshooting the battery and the battery charger during charging.

LED display	Possible faults	Possible action
Charger LED flashing red.	The battery is okay but may be experiencing temperature deviation.	Charge the battery in surroundings where temperatures are between 41 °F (5 °C) and 104 °F (40 °C). Wait for the battery to cool down.
Charger LED shines consistently	Battery is damaged. Charger is damaged.	Contact PRORUN Customer Service.

## 9. ASSEMBLY INSTRUCTIONS

● **Unpacking**

This product requires assembly of the adjustable front-assist handle and cutting guard.

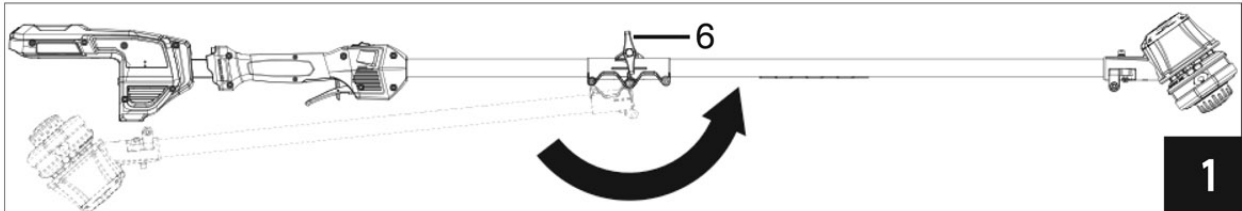
- Carefully remove the product and any accessories from the box. Make sure that all items listed in the packing list are included.
- Inspect the product carefully to make sure that no breakage or damage occurred during shipping.
- Do not discard the packing material until you have carefully inspected and satisfactorily operated the product.

## ● Packing list

- |                          |                    |                      |
|--------------------------|--------------------|----------------------|
| 1. Grass trimmer         | 4. Battery charger | 7. Operator's Manual |
| 2. Cutting guard         | 5. Battery         |                      |
| 3. Front handle assembly | 6. Screwdriver     |                      |

## ● Unfold the machine

1. The string trimmer is packed in the folded position, unfold the machine by holding and turning the front tube approximately 180 degrees until it comes to a complete stop.
2. Secure the machine in the operation position by turning the foldable hinge connector's locking knob (6) clockwise until tight.

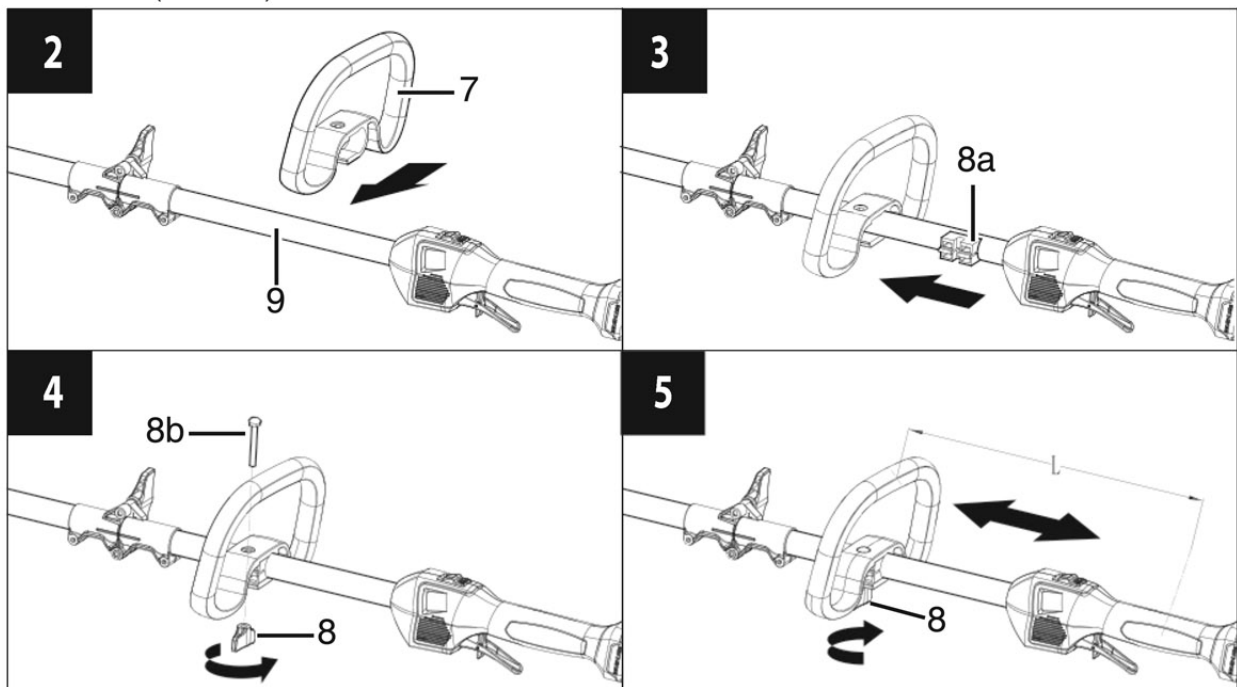


## ● Install the front handle

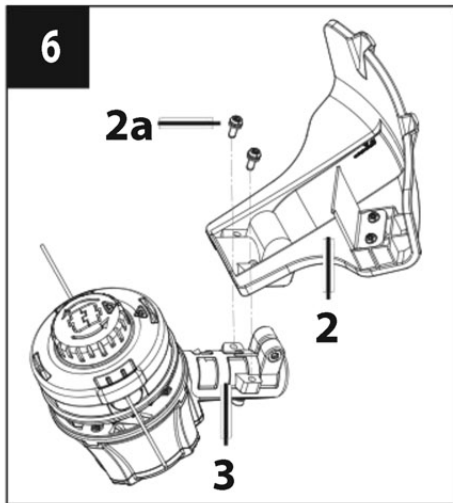
1. Fit the front handle (7) on the rear tube (9). (Fig. 2)
2. Slide the spacer (8a) along the rear tube into the slot of the front handle. (Fig. 3)
3. Insert the bolt (8b) through the front handle and spacer, and then thread with front handle locking knob (8), tighten the front handle locking knob to secure the front handle. (Fig.4)
5. You can adjust the position of front handle according to your needs:
  - Turn the front handle locking knob counterclockwise to loosen it.
  - Slide the front handle along the tube.
  - Secure the front handle by tightening the locking knob again after it reaches the desired position.

(Fig. 5)

**⚠ WARNING!** The distance (L) between the center of two handles should be at least 9.75 inches (247 mm).



● **Install the cutting guard**



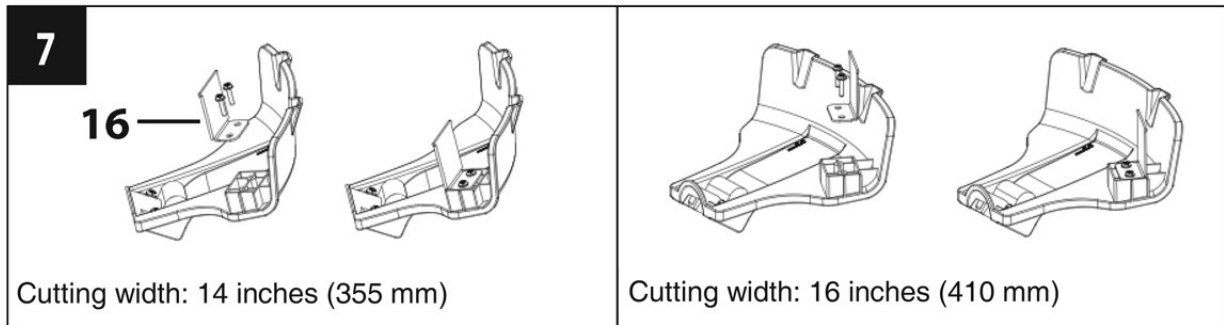
1. Fit the cutting guard (2) on the motor housing (3). (Fig. 6)
2. Insert and tighten the two bolts (2a) to secure the cutting guard.

**⚠ DANGER! Risk of injury!** The machine must have a securely fixed cutting guard before the first use.

● **Adjust the cutting width (See Fig. 7)**

This machine can be set to two different cutting widths (14-inches or 16-inches) by adjusting the line-cutting blade (16). The line-cutting blade is mounted to the cutting guard and controls the trimming line to the desired length. To adjust:

1. Remove the set screws and rotate line-cutting blade 180 degrees.
2. Replace the set screws to install the line-cutting blade onto the cutting guard.



**⚠ WARNING! Risk of injury! Wear protective grooves to adjust the line-cutting blade and keep bare hands away from any sharp edges. Never use the machine without the line-cutting blade.**

**10. OPERATION**

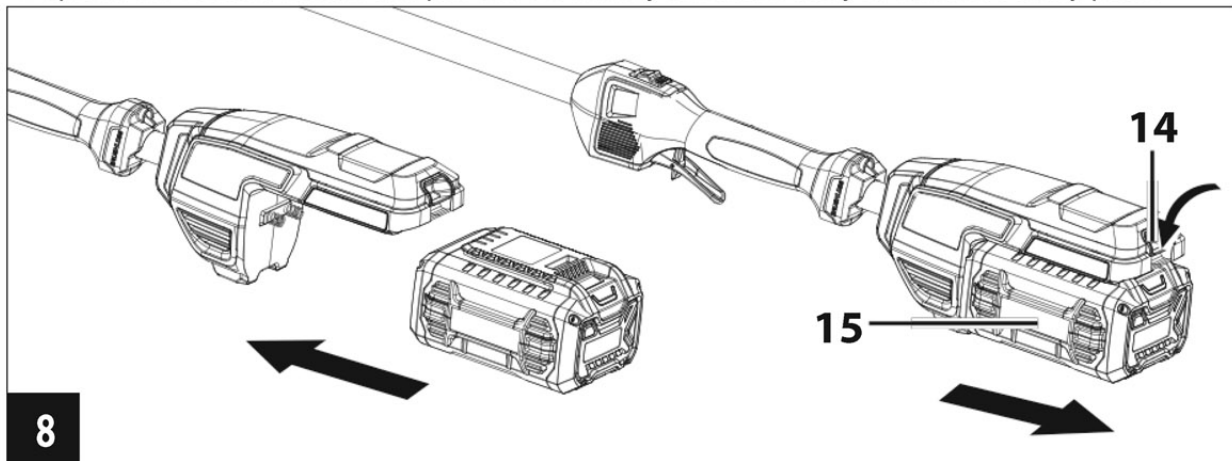
● **Install and remove the battery pack (See Fig. 8)**

– Align the raised ribs of the battery pack (15) with the mounting slots in the string trimmer's battery port.

– Slide the battery pack forward into the string trimmer until you hear the release button (14) make an audible click.

● **Remove the battery pack**

– Depress the release button and pull out the battery simultaneously to release battery pack.



## ● Checking the machine before use

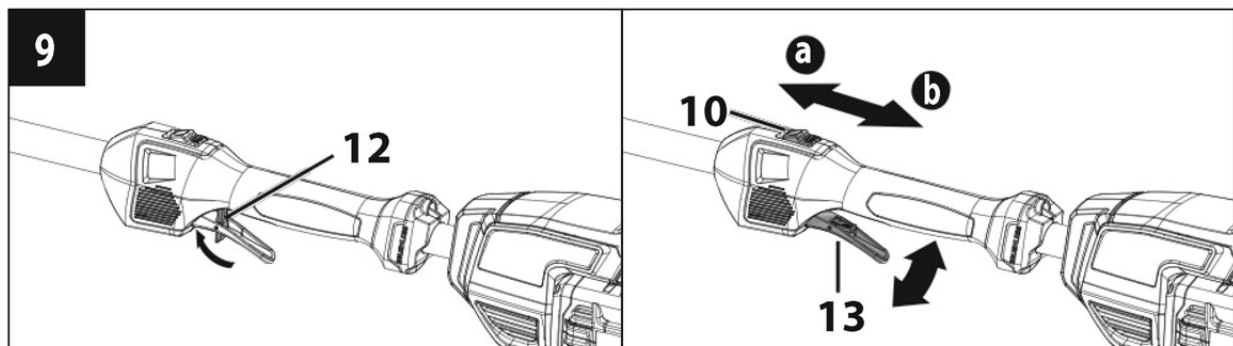
Before starting work please:

- Inspect before every use and after dropping or other impacts to identify significant damage or defects. Do not use the machine if it is damaged or shows wear.
- Double check that accessories and attachments are properly fixed.
- Wear correct personal safety equipment to protect yourself from hidden objects that may be thrown from the cutting trimmer head.
- Check that handgrips and protection devices are clean and dry, correctly mounted, and well fastened to the machine. Always hold the machine by its handles.
- Keep any ventilation openings clear of debris. Clean them with a soft brush if necessary.
- Ensure the area to be worked is clear of stones, sticks, wires, electrical lines, or other objects that could damage the tool.
- Stop the machine immediately if you are interrupted by other people entering the working area while operating the machine. Always let the machine come to complete stop before putting it down.
- Do not overwork yourself. Take regular breaks to ensure you can concentrate on the work and have full control over the machine.
- Understand the purpose and use of all safety equipment.
- Cutting guard and front handle adjustments should be made with the motor stopped and the battery removed. Ensure the machine is in the unfolded position and make sure the locking knob is tightened securely.

## ● Switching ON and OFF (See Fig. 9)

To activate the motor and trimmer head, rotate the trigger lock-out (12) clockwise with index finger, depress the variable-speed switch trigger (13) at the same time.

- It will not be necessary to sustain the actuation of the lock-off device after the variable-speed switch trigger is activated.
- The variable-speed switch trigger and trigger lock-out will return to their original locked state when the variable-speed switch trigger is released.
- To switch on the machine again, rotate the trigger lock-out clockwise and depress variable-speed switch.



**⚠ WARNING! The machine continues to work for some time even after the power switch trigger has been released!** Wait until the trimmer head and trimming line come to a complete stop before you put the machine down.

## ● Speed switch (Fig.9)

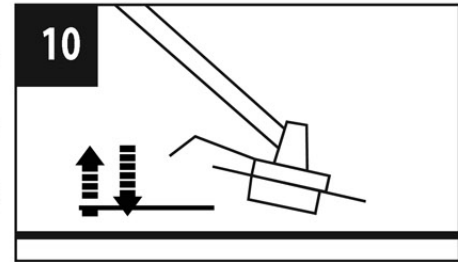
The machine has two speed options, high speed (6000 RPM) and low speed (4500 RPM).

- The high speed is used for thick weeds or heavier lawn grass.
- The low speed is used for sparse weeds or similar soft vegetation.
- Slide the speed switch (10) forward towards the front handle to actuate the high speed.
- Slide the speed switch backwards towards the rear handle to actuate the low speed.

### ● Trimmer line feeding (Flg. 10)

The string trimmer head is equipped with a bumper to feed the trimming line during operation.

- Tap the bump head (1) on a firm ground while the machine is operating, the spool will release fresh trimming line.
- The line-cutting blade installed on the cutting guard will cut the fresh trimming line to the preset length.

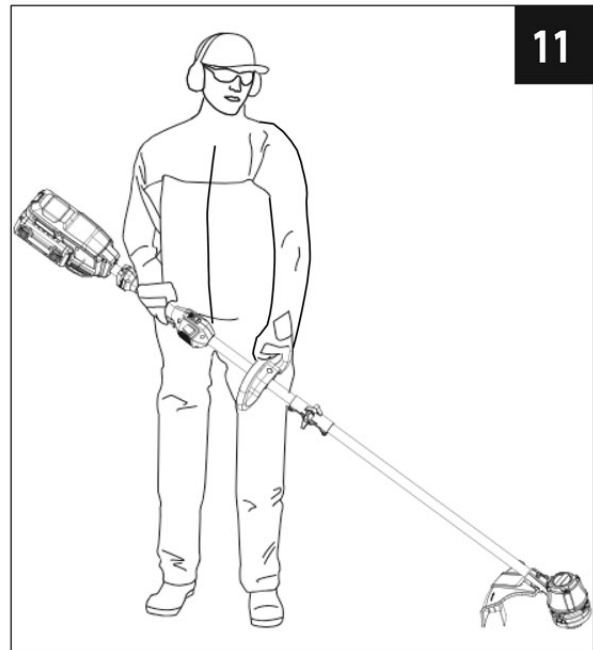


### ● Holding the string trimmer (Fig. 11)

**⚠ WARNING! Dress appropriately to reduce the risk of injury when operating this machine.**

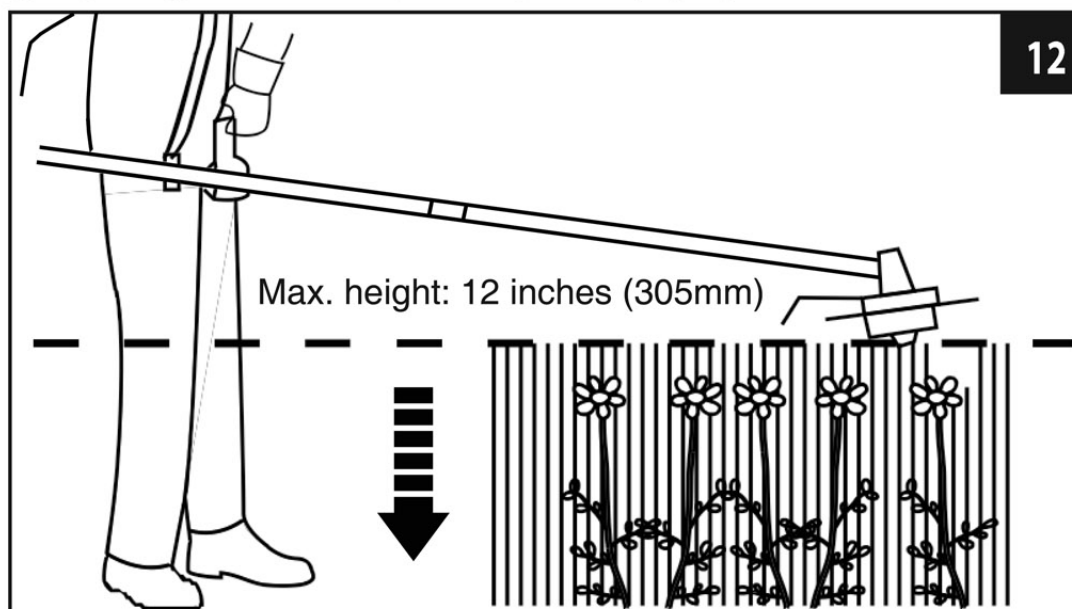
Do not wear loose clothing or jewelry. Wear eye and ear/hearing protection. Wear heavy, long pants, boots, and gloves. Do not wear short pants or sandals or go barefoot.

- Always hold the machine firmly with two hands, one on the front handle and one on the rear handle. Never operate this machine using only one hand.
- Maintain a firm grip with your thumbs and fingers encircling the handle. A firm grip will help you maintain control of the machine.
- Stand upright and do not lean forward. Pay attention to the posture. Keep both feet apart to help retain body balance.

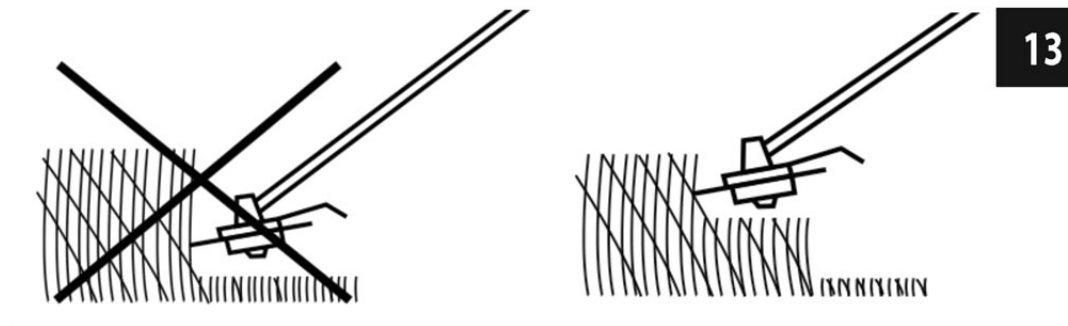


### ● Cutting and trimming tips

- Carefully plunge the cutting attachment from above when cutting long undergrowth.
- Do not lift the trimmer head higher than your knee. The higher you hold the trimmer head and trimming line, the higher the risk of objects being thrown (Fig 12)

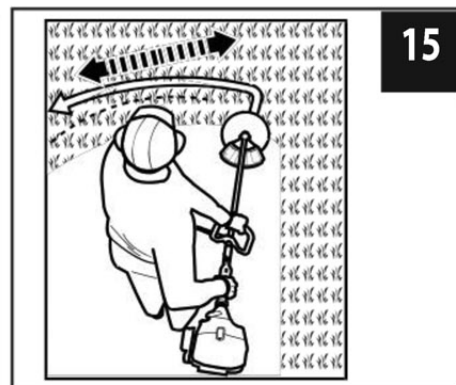
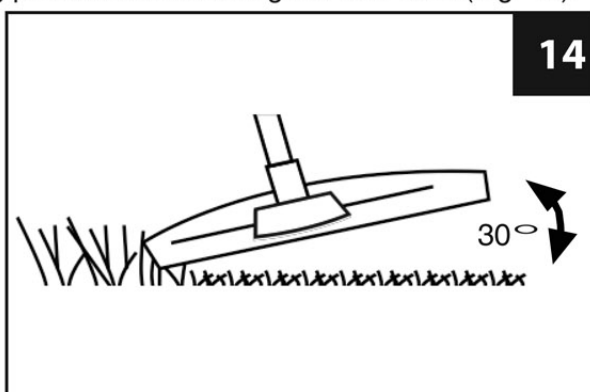


– Avoid cutting tall grass in one cut. Trim taller grass in stages. Recommended that each cutting height is approximately 4 inches (100 mm). (Fig 13)



– Hold the trimmer head and trimmer line just above the ground at an angle of approximately 30° (Fig. 14).

– Move the machine with a slow and regular motion from left to right before moving it back to the starting position and trimming the next area (Fig. 15).

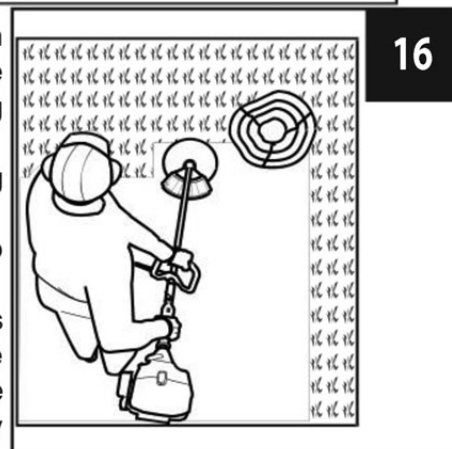


– Ensure that the trimmer head and cutting guard remain clean and free of debris to avoid jamming. Make sure the motor and trimming line have completely stopped rotating before checking the trimmer head for defects.

– Avoid cutting wet grass as it tends to stick to the moving parts.

– Pay special attention when performing the work close to trees and bushes (Fig. 16).

– Do not remove blockages or jams when the machine is operating. Stop the machine and detach the battery before clearing blockages of the trimmer head or cutting guard. One moment of inattention while operating the machine may result in a serious personal injury.



### • **Cleaning the rear handle and battery housing**

– Stop the machine and detach the battery before cleaning.

– Use a damp, lint-free cloth to clean the rear handle and battery housing.

– Do not immerse the machine into water or any liquids.

– Clean the ventilation openings located on the machine with a soft brush. Clogged ventilation openings might cause the machine to overheat.

– Wipe the surface with a dry cloth afterwards.



# 11. MAINTENANCE AND REPAIR

## Servicing and repairing the machine

There are no user-authorized repairs.

– If your string trimmer has a malfunction, or is damaged, or requires servicing: Contact PRORUN Customer Service.

### • Servicing and repairing the battery. The battery requires no servicing and cannot be repaired.

– If the battery has a malfunction or is damaged: Replace the battery.

### • Servicing and repairing the charger

The charger requires no servicing and cannot be repaired.

– If the charger has a malfunction or is damaged: Replace the charger.

– If the connecting cable has a malfunction or is damaged: Do NOT use the charger and contact PRORUN Customer service.

**WARNING! If the battery pack cracks or breaks, with or without leaks, do not recharge it and do not use.** Dispose of it and replace with a new battery pack.

– Correct maintenance is essential to maintain the original efficiency and safety of the machine over time.

– Keep all nuts, bolts, and screws tight to be sure that the machine is in safe working condition.

– Never use the machine with worn or damaged parts. Damaged parts must be replaced and never repaired.

– Only use original spare parts. Parts that are not of the same quality can seriously damage the equipment and compromise safety.

– If your machine has a malfunction, is damaged, or requires servicing: Contact PRORUN Customer Service.

### • Replacing trimming line (Fig. 17)

The machine's trimmer head uses an outstanding and innovative trimming line loading system. When the flexible trimming line is used up, it is easy to refill.

#### Load a new flexible cutting line:

1. Stop the machine and detach the battery.

2. Lay the machine on a flat stable surface with its bump knob/spool assembly facing upwards.

3. Turn the spool until the arrow on the spool aligns with the arrow on the trimmer head (Fig. 17-1).

4. Cut the replacement trimmer line to approximately 20 feet (6 m) in length.

5. Feed the new trimmer line through the "LINE IN" eyelet and out the opposite eyelet. Continue pulling until an equal amount of line is on both sides of the head (Fig. 17-2)

6. While holding the trimmer head, turn the bump knob/spool assembly counter-clockwise to wind the line around the spool. Keep winding until the two lines are within the cutting guard.

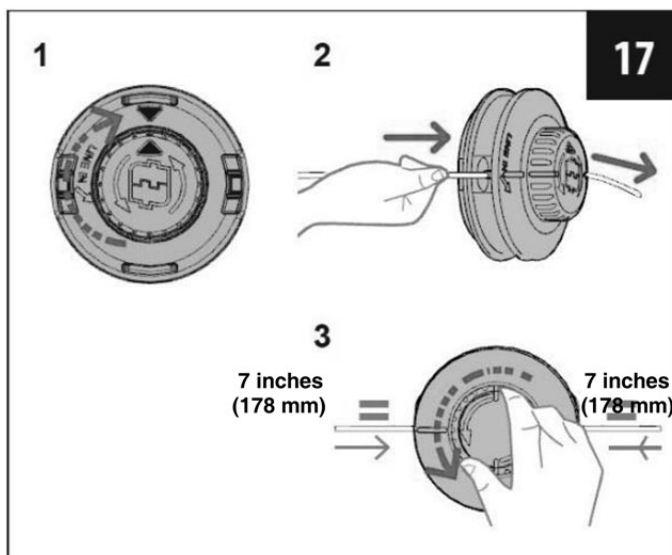
7. Finally, cut both ends of the exposed trimming lines to a length of approximately 7 inches (178 mm) on each side of the trimmer head. (Fig. 17-3)

**NOTE: Two or three days before the start of the new season, place the cutting line in water to keep it flexible.**

**⚠ WARNING! Never use steel threads or cutting lines!**

• Servicing and Repairing the Battery. The battery requires no servicing and cannot be repaired.

– If the battery has a malfunction or is damaged: Replace the battery.




- **Servicing and repairing the charger**

The charger requires no servicing and cannot be repaired.

- If the charger has a malfunction or is damaged: Replace the charger.

- If the connecting cable has a malfunction or is damaged: Do NOT use the charger and contact PRORUN Customer Service.

 **WARNING! If the battery pack cracks or breaks, with or without leaks, do not recharge it and do not use.** Dispose of it and replace with a new battery pack.

- **Inspections of the string trimmer, battery, and charger**

To reduce the risk of personal injury from unintended activation, remove the battery before conducting an inspection, or performing any maintenance on string trimmer:

- Maintain and replace trimming line per instructions in this user's manual.

- Contact PRORUN Customer Service with questions or issues with this machine.

**DO NOT ATTEMPT TO REPAIR THE BATTERY!**

To avoid injury and risk of fire, explosion, or electric shock, and to avoid damage to the environment:

- Cover the battery's terminals with heavy-duty adhesive tape.
- DO NOT attempt to remove or destroy any of the battery pack components.
- DO NOT attempt to open the battery pack.
- If a leak develops, the released electrolytes are corrosive and toxic. DO NOT get the solution in the eyes or on skin, and do not swallow it.
- DO NOT place these batteries in your regular household trash.
- DO NOT incinerate.
- DO NOT place them where they will become part of any waste landfill or municipal solid waste stream. Take them to a certified recycling or disposal center.

**⚠ WARNING! If the battery pack cracks or breaks, with or without leaks, do not recharge it and do not use.** Dispose of it and replace with a new battery pack.

- **Limitations**

The manufacturer disclaims any responsibility if the device has not been used for its intended purpose or if the user has not followed the safety instructions for use.

- Read the instructions carefully before each use of the string trimmer.
- Keep your receipt, this is necessary for a guarantee.

## **12. TRANSPORTING, CLEANING, AND STORING**

- **Transporting the string trimmer**

When transporting the string trimmer:

- Switch off the machine and remove the battery pack.
- When transporting the machine by hand, hold it by the front handle with the trimmer head (bump head) pointing backwards, opposite the direction in which you are walking.
- When transporting the machine in a vehicle, secure and position the machine to prevent turnover, impact, and damage.

- **Transporting the battery**

Switch off the machine and remove the battery.

- Make sure the battery is in a safe condition.

Observe the following points when packing the battery:

- The packaging must be non-conductive.
- Make sure the battery cannot shift inside the packaging.
- Secure the packaging so that it cannot move.

- **Cleaning the string trimmer**

To reduce the risk of personal injury from unintended activation, remove the battery before cleaning the string trimmer:

- Clean the string trimmer's plastic components with a slightly dampened cloth. Do not use detergents or solvents.
- Keep the string trimmer's charger housing and electrical contacts free from foreign matter.
- Do not use a pressure washer to clean the housing and cutting blades or spray them with water or other liquids.
- Keep the battery housing and guides free from foreign matter and clean as necessary with a soft brush or soft, dry cloth. Keep the string trimmer's charger housing and electrical contacts free from foreign matter.

- **Cleaning the battery**

- Clean the battery housing with a damp cloth.
- Clean the battery's electrical contacts with a soft brush.

- **Cleaning the charger**

Disconnect the plug from the wall outlet.

- Clean the charger with a damp cloth.
- Clean the charger’s electrical contacts with a soft brush.

- **Storing the string trimmer**

When storing the string trimmer:

- Switch off the machine and remove the battery pack.
- Clean and maintenance the machine.
- Store the machine indoors in a dry and secure location, out of the reach of children.
- Protect the machine against dampness and corrosive agents such as garden chemicals and de-icing salts.
- Keep the machine clean and dry.

- **Storing the battery**

We recommend that you store the battery with a charge between 40% and 60%.

Observe the following points when storing the battery:

- Battery is out of the reach of children.
- Battery is clean and dry.
- Battery is in an enclosed space.
- Battery is stored separately, away from the string trimmer and charger.
- Battery is in non-conductive packaging.
- Battery is in a temperature range between 40°F (5°C) and 115°F (+46°C).

- **Storing the charger**

- Disconnect the charger from the wall outlet. Remove the battery from the charger.
- Store the charger indoors in a dry and secure location.
- Keep it out of the reach of children.

## 13. TROUBLESHOOTING

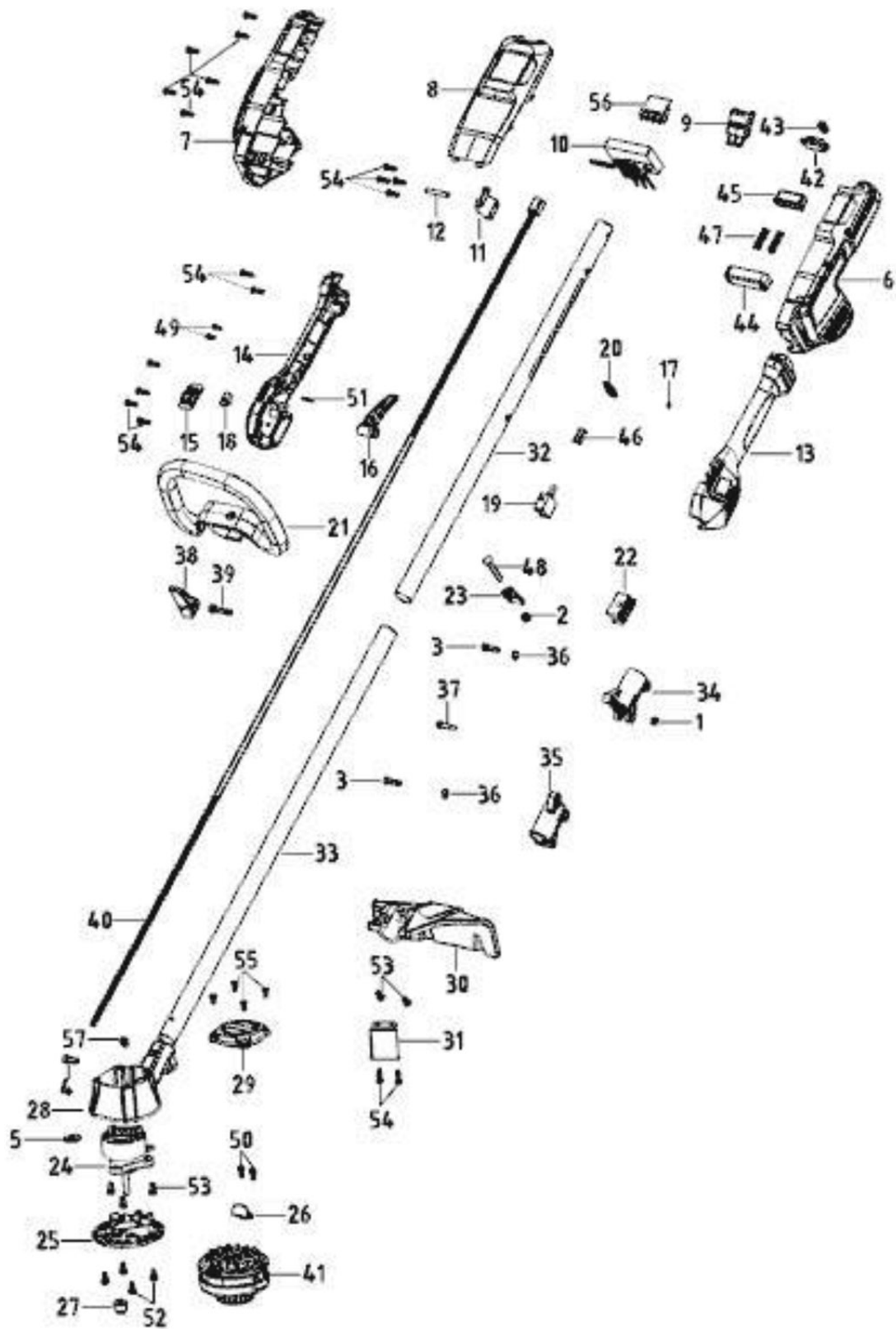
<b>Problem</b>	<b>Possible cause</b>	<b>Solution</b>
Motor fails to start when power switches are depressed.	Battery is not secure.  Battery is not charged.  Faulty with the machine.	To secure the battery pack, make sure the latches on the top of the battery pack snap into place. Charge the battery pack according to the instructions included with your model. Contact PRORUN Customer Service.
Motor runs, but trimmer head does not move.	Debris or other may be jamming the trimmer head.	Remove battery, clear debris blockage from trimmer head.
Machine stop unintentionally during operation.	Battery pack too hot.  Electrical malfunction.	Allow the battery to cool down gradually at ambient temperatures. Contact PRORUN Customer Service.
Machine runtime is too short.	Battery not fully charged. Useful life of battery has been reached or exceeded.	Fully charge the battery. Contact PRORUN Customer Service for replacement.

## 14. DISPOSAL



All toxic materials must be disposed of in a specified manner to prevent contamination of the environment. Before disposing of damaged or worn out Lithium-Ion battery packs, contact your local waste disposal agency, or the local Environmental Protection Agency for information and specific instructions. Take the batteries to a local recycling and/or disposal center, certified for lithium-ion disposal.

# 15. EXPLODED VIEW



## 15. EXPLODED VIEW

NO.	DESCRIPTION	QTY	NO.	DESCRIPTION	QTY
1	Nut M5	1	27	Shaft bush	1
2	Nut M6	1	28	Motor shell	1
3	Screw M5×22	2	29	Cover	1
4	Screw M6×18	1	30	Cutting means guard	1
5	Plat washer	1	31	Line limiting device	1
6	Left housing	1	32	Rear tube	1
7	Right housing	1	33	Front tube	1
8	Decorative cover	1	34	Rear tube connector	1
9	Battery release button	1	35	Front tube connector	1
10	Controller	1	36	Position plate	2
11	26 tube clamp	1	37	Shaft bolt	1
12	Pin A type	1	38	Locking knob	1
13	Rear handle left half	1	39	Locking bolt	1
14	Rear handle right half	1	40	Wire	1
15	Speed switch	1	41	Trimmer head	1
16	Trigger	1	42	Latch	1
17	Trigger lock-out spring	1	43	Latch spring	1
18	High/low speed switch	1	44	Bumper base	1
19	Power switch	1	45	Bump	1
20	Trigger lock-out	1	46	Spring	1
21	Front handle	1	47	Buffer spring	2
22	Front handle spacer	1	48	Bolt M6×50	1
23	Front handle locking knob	1	49	Tapping screw ST3×10	2
24	BLDC motor	1	50	Tapping screw ST4.2×12	2
25	Motor bracket	1	51	Elastic pin	1
26	Wire fixture	1	52	Screw M4×12	4



## 15. EXPLODED VIEW

<b>NO.</b>	<b>DESCRIPTION</b>	<b>QTY</b>	<b>NO.</b>	<b>DESCRIPTION</b>	<b>QTY</b>
53	Screw M5×12	5			
54	Tapping screw ST4.2×16	18			
55	Screw M4×10	4			
56	Terminal base	1			
57	Screw M5×12	1			

## 16. EC DECLARATION

1) Herewith we, Zhejiang Zhongjian Technology Co., Ltd.  
No.155 Mingyuan North AVE, Economic Development Zone, Yongkang, Zhejiang, 321300, P.R.  
China

declare that the following appliance complies with the appropriate basic safety and health requirements of the EC Directives based on its design and type, as brought into circulation by us.

This declaration relates exclusively to the machinery in the state in which it was placed on the market and excludes components which are added and/or operations carried out subsequently by the final user.

2) Designation/ function: Battery chain saw for forest work, e.g., felling, delimiting, bucking.

3) Type: PST160H

4) Serial number: MM/YY-XXXXX

5) Applicable EC Directives: Machinery Directive 2006/42/EC

6) Used harmonized Standards: EN 62841-1:2015, FprEN IEC 62841-4-4:2020

7) Additional used EC Directives: EMC Directive 2014/30/EU on electromagnetic compatibility  
Noise Directive 2000/14/EC as amended by Directive  
2005/88/EC on the noise emission in the environment by  
equipment for use outdoors  
2011/65/EU as amended Directive (EU) 2015/863 Restriction of  
the use of certain hazardous substances in electrical and  
electronic equipment

8) Used other technical standards/ specifications: EN 55014-1:2017+A11:2020, EN 55014-2:2015

9) Responsible for documentation:

10) EC type approval: XXXXXXXXXXX-01 Intertek Deutschland GmbH (NB 905) Stangenstraße 1,  
70771 Leinfelden-Echterdingen

Measured sound power level 95.1 dB(A)

Guaranteed sound power level 96 dB(A)

Conformity assessment method to Annex V/ Directive 2000/14/EC and 2005/88/EC

11) Date /Place/Name/ Authorized Signature:  
2022-02-12/ Yongkang/ Yang Haiyue

12) Title of Signatory:  
Chief Engineer

---

---



PRORUN regularly improves our products, and you may find slight differences between your machine and descriptions contained within this operator's manual. Modifications can be made to the machine without notice and without the obligation to update the manual, providing that the essential safety and functional characteristics remain unaltered. Contact PRORUN Customer Service with any questions and for current specifications.

PRORUN / SUNFUTURE INC.

200 Overhill Drive, Suite A

Mooresville, NC 28117

Proruntech.com

info@proruntech.com

Phone: 1-844-905-0882



Zhejiang Zhongjian Technology Co., Ltd

Web: [www.topsunpower.cc](http://www.topsunpower.cc)

E-mail: [sales@topsunpower.cc](mailto:sales@topsunpower.cc)

ADD: No.155 Mingyuan North AVE, Economic Development Zone,  
Yongkang, Zhejiang, 321300, P.R.China

Made In China