

# PRORUN®

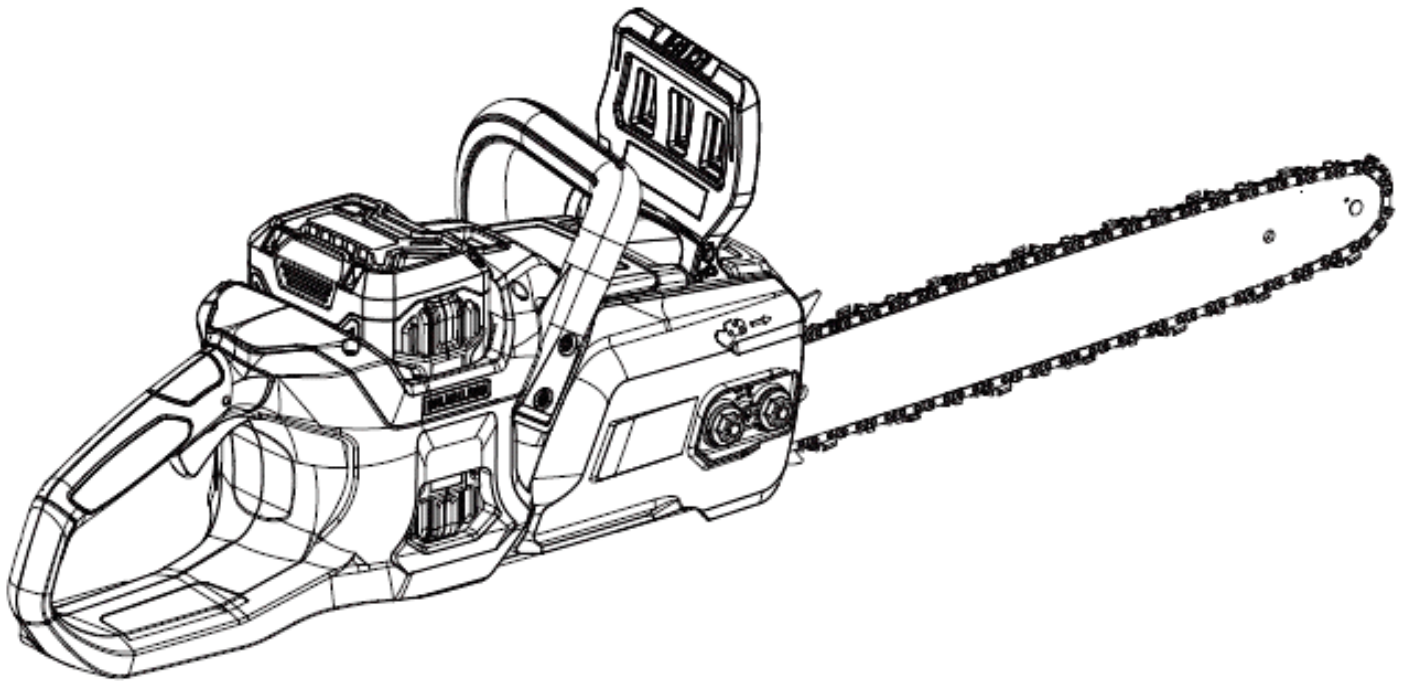
**POWER and RELIABILITY™**

**60V** // *Lithium-Ion*

## PARTS LIST

### CORDLESS CHAINSAW

MODEL: PCS160H



Everything PRORUN

Please let us know what you think.  
To leave a review and see our full line of products, visit:

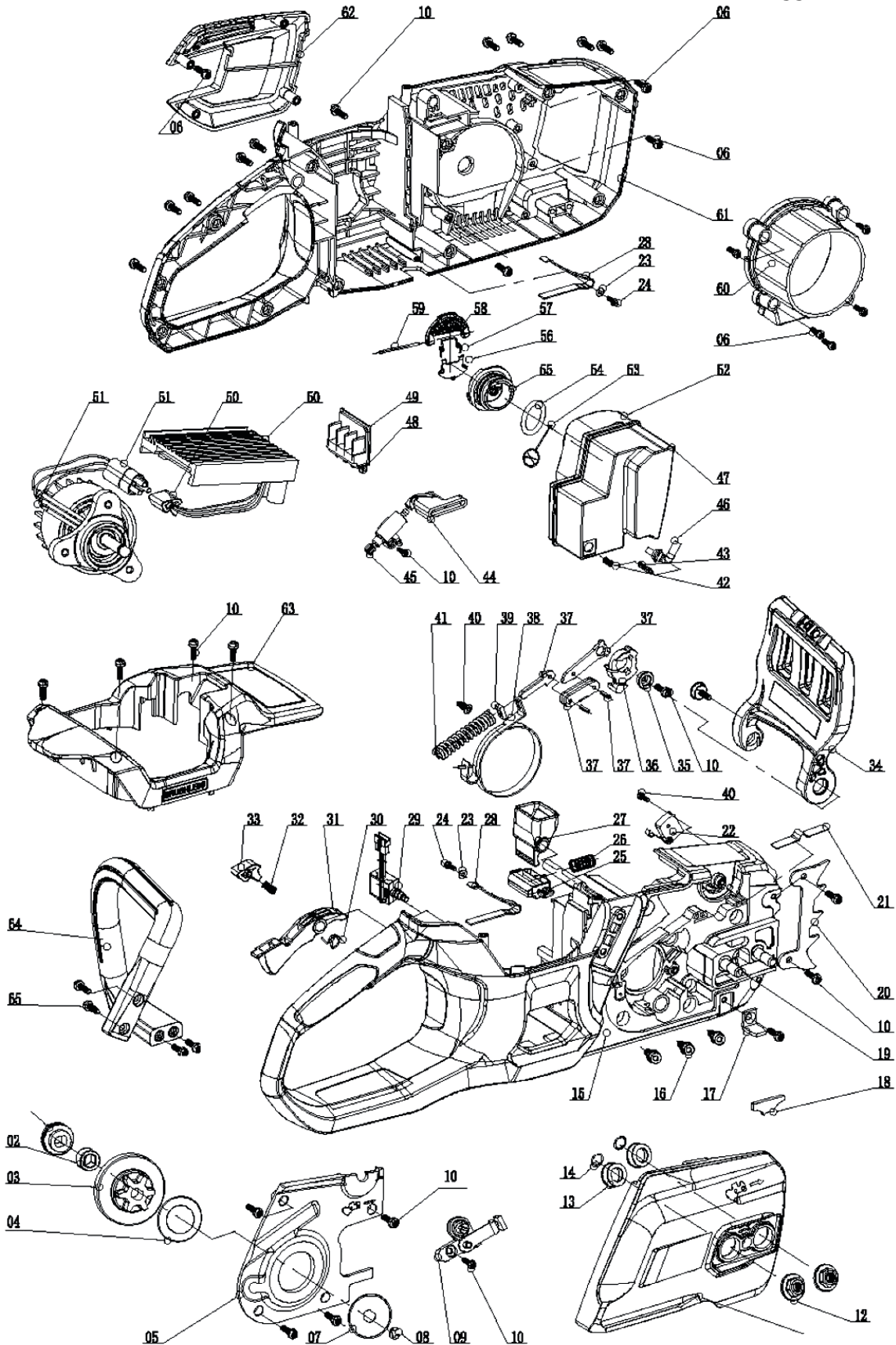
**proruntech.com** ★ ★ ★ ★ ★

1-844-905-0882, [info@proruntech.com](mailto:info@proruntech.com)

Version: A - Issue Date: 2023/12/04



**ASSEMBLY PARTS LIST**



**ASSEMBLY PARTS LIST**

No.	Description	Qty
1	WORM	1
2	MOTOR BUSH	1
3	DRIVE SPROCKET	1
4	FELT SEALING	1
5	OIL PUMP COVER	1
6	SELF-TAPPING SCREW ST4 X 10	8
7	SPROCKET WASHER	1
8	E TYPE CIRCLIP	1
9	CHAIN TENSIONER ASSEMBLY	1
10	SELF-TAPPING SCREW ST4 X 16	24
11	CHAIN SPROCKET COVER	1
12	LOCKING NUT	2
13	BUSH	2
14	CIRCLE CIRCLIP	2
15	RIGHT HOUSING	1
16	SCREW M5 X 18	3
17	CHAIN CATCHER	1
18	SEALING	1
19	BOLT	1
20	BUMPER SPIKES	1
21	GUARD BELT SPRING	1
22	CHAIN BRAKE SIGNAL SWITCH	1
23	PLATE WASHER 3 X 7.7 X 0.8	2
24	SELF-TAPPING SCREW ST2.9 X 0.8	2
25	LOCK LATCH	1
26	BATTERY RELEASE SPRING	2
27	BATTERY RELEASE BUTTON	1
28	BATTERY RELEASE BELT SPRING	1
29	POWER SIGNAL SWITCH	1
30	RETURN TORSION SPRING	1
31	POWER SWITCH TRIGGER	1
32	LOCK-OFF BUTTON SPRING	1
33	LOCK-OFF BUTTON	1

No.	Description	Qty
34	CHAIN KICKBACK BRAKE GUARD	1
35	GUARD BUSH	2
36	CHAIN BRAKE RATCHET	1
37	CHAIN BRAKE GEMEL	4
38	CHAIN BREAK STRAP	1
39	CHAIN SPRING BASE	1
40	SELF-TAPPING SCREW ST4.2 X 16	2
41	CHAIN BREAK SPRING	1
42	CHAIN OIL FILTER SPRING	1
43	CHAIN OIL FILTER	1
44	OIL OUTLET TUBE	1
45	OIL PUMP	1
46	OIL INLET TUBE	1
47	OIL TANK BOTTOM SHELL	1
48	CONNECTING TERMINAL	4
49	TERMINAL BASE	1
50	CONTROLLER	1
51	BLDC MOTOR	1
52	OIL TANK TOP SHELL	1
53	OIL TANK CAP RETAINER	1
54	O RING	1
55	OIL TANK CAP	1
56	KNOB	1
57	TORSION SPRING	1
58	PANEL	1
59	PIN	1
60	MOTOR HOUSING	1
61	LEFT HOUSING	1
62	SIDE COVER	1
63	TOP COVER	1
64	FRONT HANDLE	1
65	SELF-TAPPING SCREW ST5 X 6	4

PRORUN regularly improves our products, and you may find slight differences between your machine and descriptions contained within this parts list. Modifications can be made to the machine without notice and without the obligation to update the operator's manuals, provided that the essential safety and functional characteristic remain unaltered. Contact PRORUN Customer Service with any questions and current specifications.