

PRORUN®

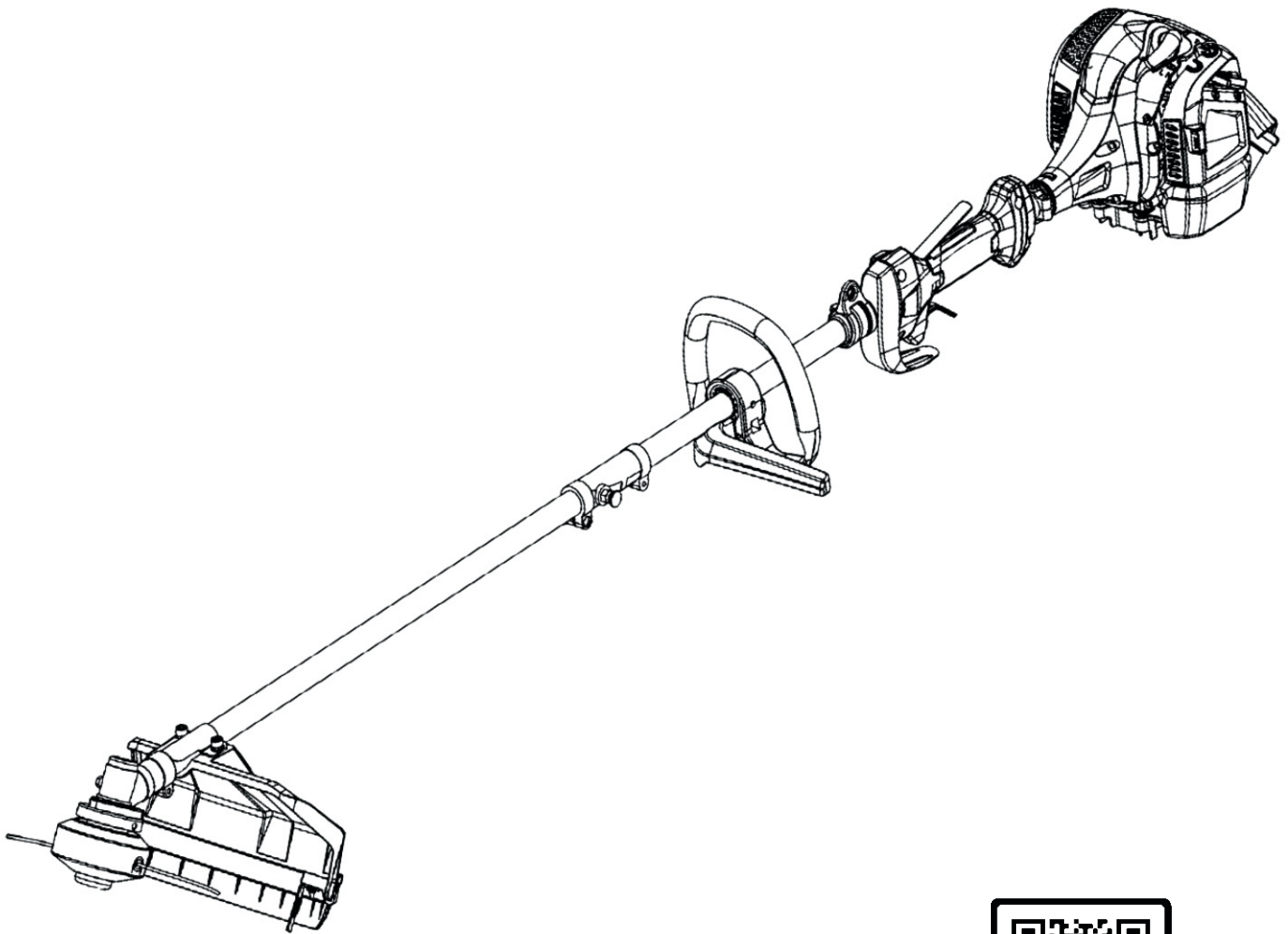
POWER and RELIABILITY™

GAS

PARTS LIST

STRAIGHT SHAFT STRING TRIMMER

MODEL: PSST217



Everything PRORUN

Please let us know what you think.
To leave a review and see our full line of products, visit:

proruntech.com ★ ★ ★ ★ ★

1-844-905-0882, info@proruntech.com

Version: B - Issue Date: 2023/03/15

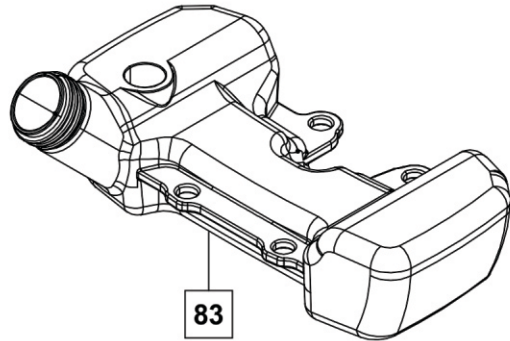


SPARE PARTS / CHASSIS AND ENCLOSURE

FUEL TANK

Part Number: 20070209

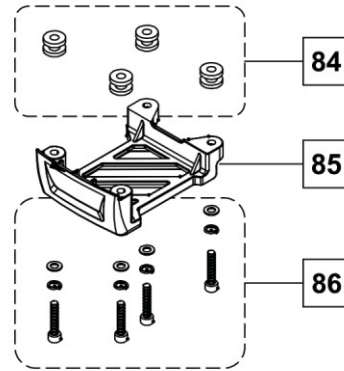
No.	Description	Qty
83	Fuel Tank	1



FUEL TANK BASE ASSEMBLY

Part Number: 68821701

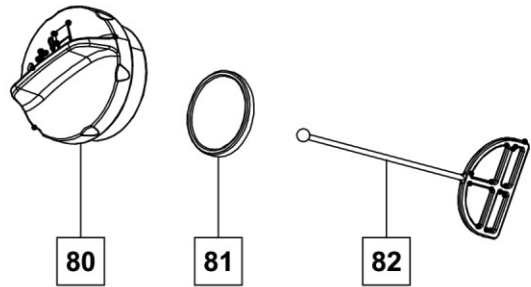
No.	Description	Qty
84	Rubber Bump	4
85	Fuel Tank Housing	1
86	Screw M5x25	4



FUEL TANK CAP ASSEMBLY

Part Number: 20072561

No.	Description	Qty
80	Fuel Tank Cover	1
81	Gasket Rubber	1
82	Anti-Falling Board	1

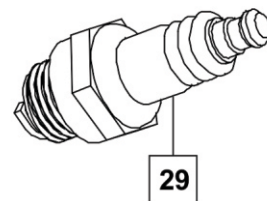


SPARE PARTS / STARTING MECHANISM

SPARK PLUG

Part Number: 20079314

No.	Description	Qty
29	Spark Plug	1



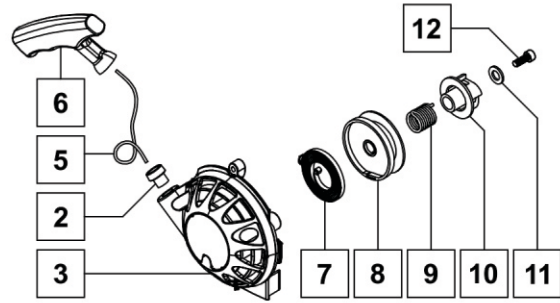


SPARE PARTS / STARTING MECHANISM

STARTER ASSEMBLY

Part Number: 68821702

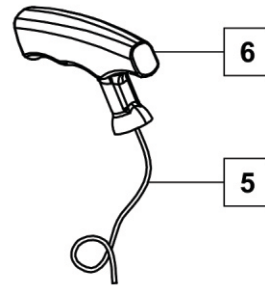
No.	Description	Qty
2	Pull Cord Sheath	1
3	Starter Cover	1
5	Starter Pull Cord	1
6	Start Handle	1
7	Coil Spring	1
8	Start Pulley	1
9	Start Spring	1
10	Ratchet Wheel	1
11	Plate Washer	1
12	Self-Tapping Screw ST4.8x16	1



STARTER GRIP AND ROPE ASSEMBLY

Part Number: 68821703

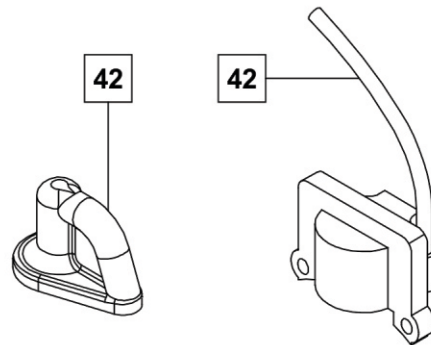
No.	Description	Qty
5	Starter Pull Cord	1
6	Start Handle	1



IGNITION ASSEMBLY

Part Number: 20050977

No.	Description	Qty
36	Igniter	1
35	Spark Plug Cover	1



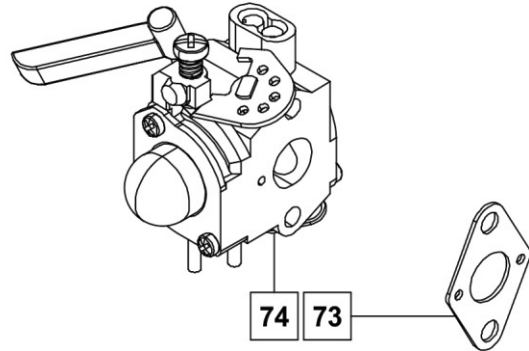


SPARE PARTS / CARBURETOR

CARBURETOR ASSEMBLY

Part Number: 68821705

No.	Description	Qty
74	Carburetor	1
73	Gasket \ Carburetor	1

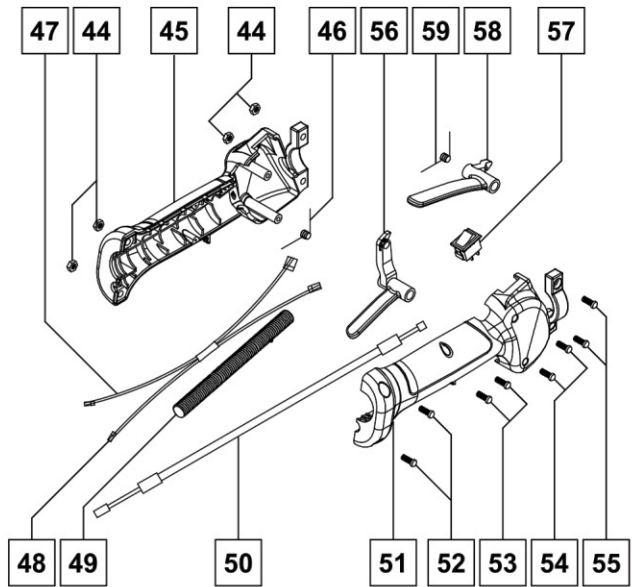


SPARE PARTS / THROTTLE CONTROL, HANDLE, AND SHAFTS

THROTTLE HANDLE ASSEMBLY (H1)

Part Number: 20072569

No.	Description	Qty
44	Nut M5	4
45	Plastic Handle / LH	1
46	Spring / Trigger	1
47	Wire Cable A	1
48	Wire Cable B	1
49	Bushing	1
50	Throttle Cable Assembly	1
51	Plastic Handle / RH	1
52	Screw M5x14	2
53	Self-Tapping Screw ST3.5x9.5	2
54	Self-Tapping Screw ST4.2x10	2
55	Screw M5x14	2
56	Trigger	1
57	Switch	1
58	Lock Trigger	1
59	Spring / Trigger	1



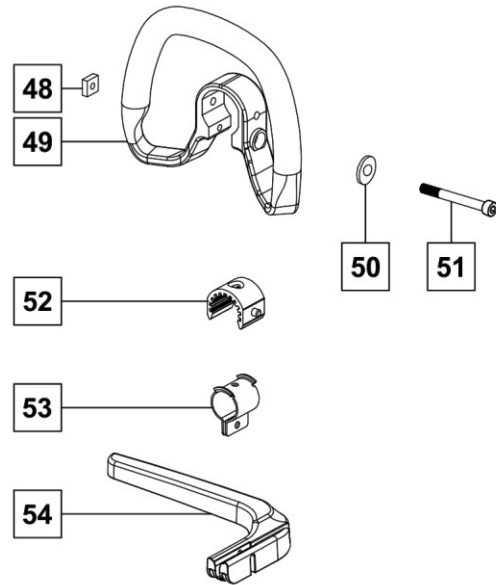


SPARE PARTS / TRIMMER HEAD, GUARD, AND BUSH CUTTER

FRONT LOOP HANDLE AND BAR ASSEMBLY

Part Number: 20072570

No.	Description	Qty
48	Nut M5	1
49	Front Handle	1
50	Plate Washer	1
51	Locking Screw	1
52	Front Handle Rubber Sleeve	1
53	Locking Sleeve	1
54	Bar	1

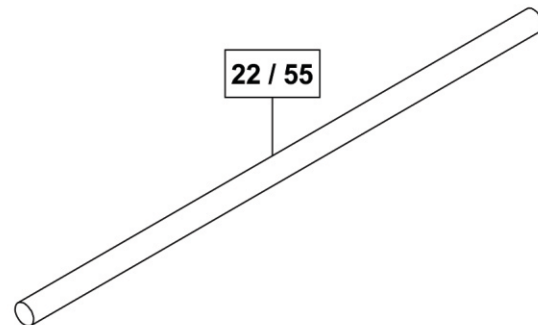


SPARE PARTS / TRIMMER HEAD, GUARD, AND BUSH CUTTER

DRIVER SHAFT

Part Number: 20054026

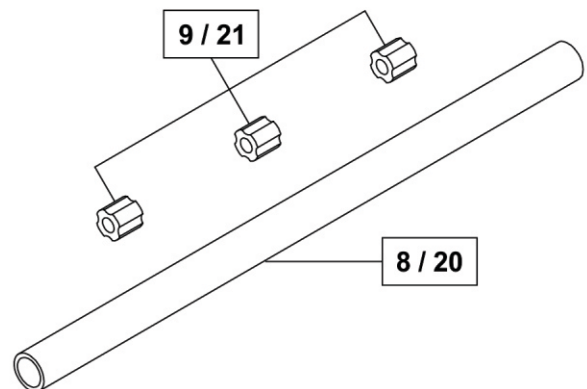
No.	Description	Qty
22/55	Driver Shaft	1



BACK SHAFT ASSEMBLY

Part Number: 20077191

No.	Description	Qty
8/20	Back Aluminum Tubing	1
9/21	Rubber \ Shaft	3



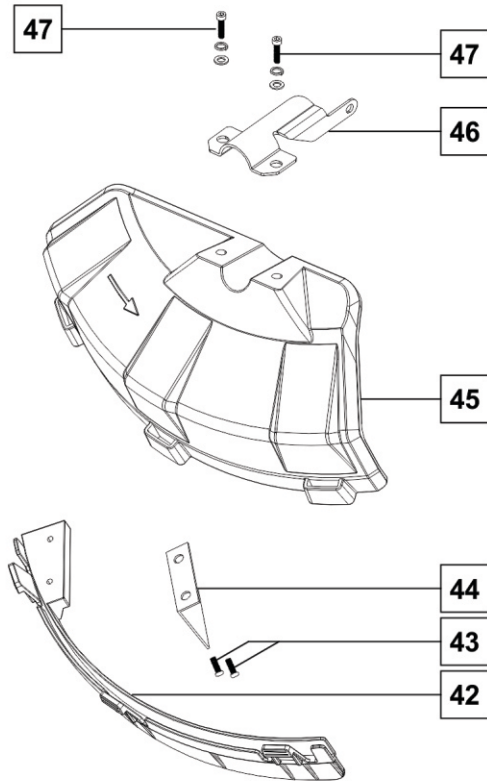


SPARE PARTS / TRIMMER HEAD, GUARD, AND BUSH CUTTER

TRIMMER GUARD AND PROTECTIVE STRIP ASSEMBLY

Part Number: 20072570

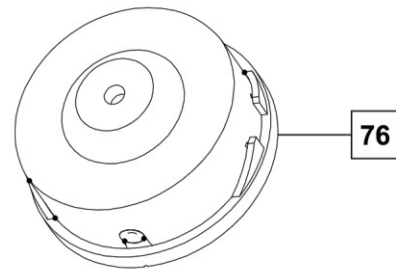
No.	Description	Qty
42	Guard Strake	1
43	Self-Tapping Screw ST4.8x13	2
44	Cutting Blade	1
45	Guard	1
46	Clamp \ Guard	1
47	Screw M6x20	2



TRIMMER BUMP HEAD

Part Number: 20055860

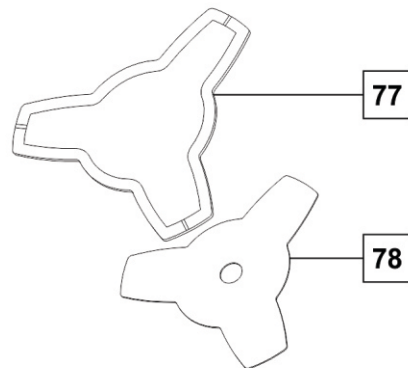
No.	Description	Qty
76	String Head Assembly	1



BRUSH CUTTER BLADE ASSEMBLY

Part Number: 68826107

No.	Description	Qty
78	Brush Cutter Blade	1
77	Brush Cutter Blade Cover	1



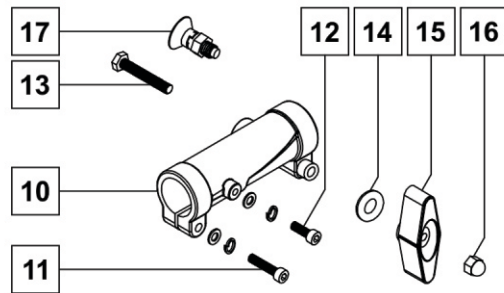


SPARE PARTS / TRIMMER HEAD, GUARD, AND BUSH CUTTER

CONNECTOR ASSEMBLY

Part Number: 20085833

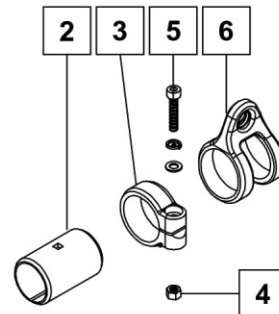
No.	Description	Qty
10	Connector Assembly	1
11	Screw M5x25	1
12	Screw M5x12	1
13	Screw M6x50	1
14	Plate Washer 6	1
15	Lock Knob	1
16	Nut M6	1
17	Latch Bolt	1



HARNESS CLAMP ASSEMBLY

Part Number: 68821706

No.	Description	Qty
2	Sleeve 26	1
3	Clamp	1
4	Nut M5	1
5	Screw M5x22	1
6	Harness Clamp	1

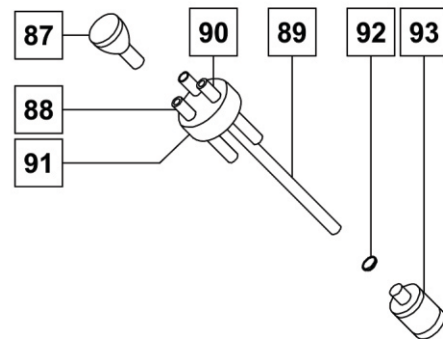


SPARE PARTS / FILTER AND ACCESSORIES

FUEL FILTER ASSEMBLY

Part Number: TBD00000

No.	Description	Qty
87	Balancer	1
88	Air Tube	1
89	Fuel Tube	1
90	Return Tube	1
91	Retainer Fuel Tube	1
92	Snap Ring	1
93	Fuel Filter	1



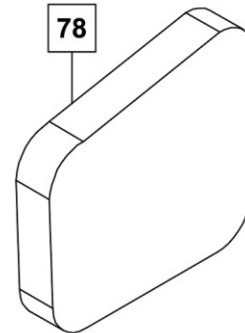


SPARE PARTS / FILTER AND ACCESSORIES

AIR FILTER / FOAM

Part Number: 20058398

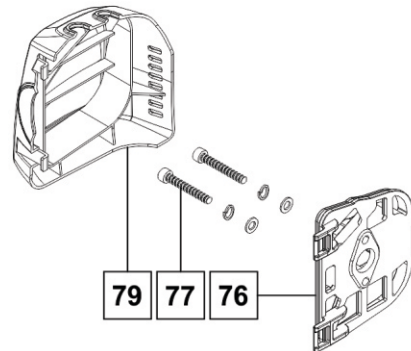
No.	Description	Qty
78	Air Filter / Foam	1



AIR FILTER HOUSING ASSEMBLY

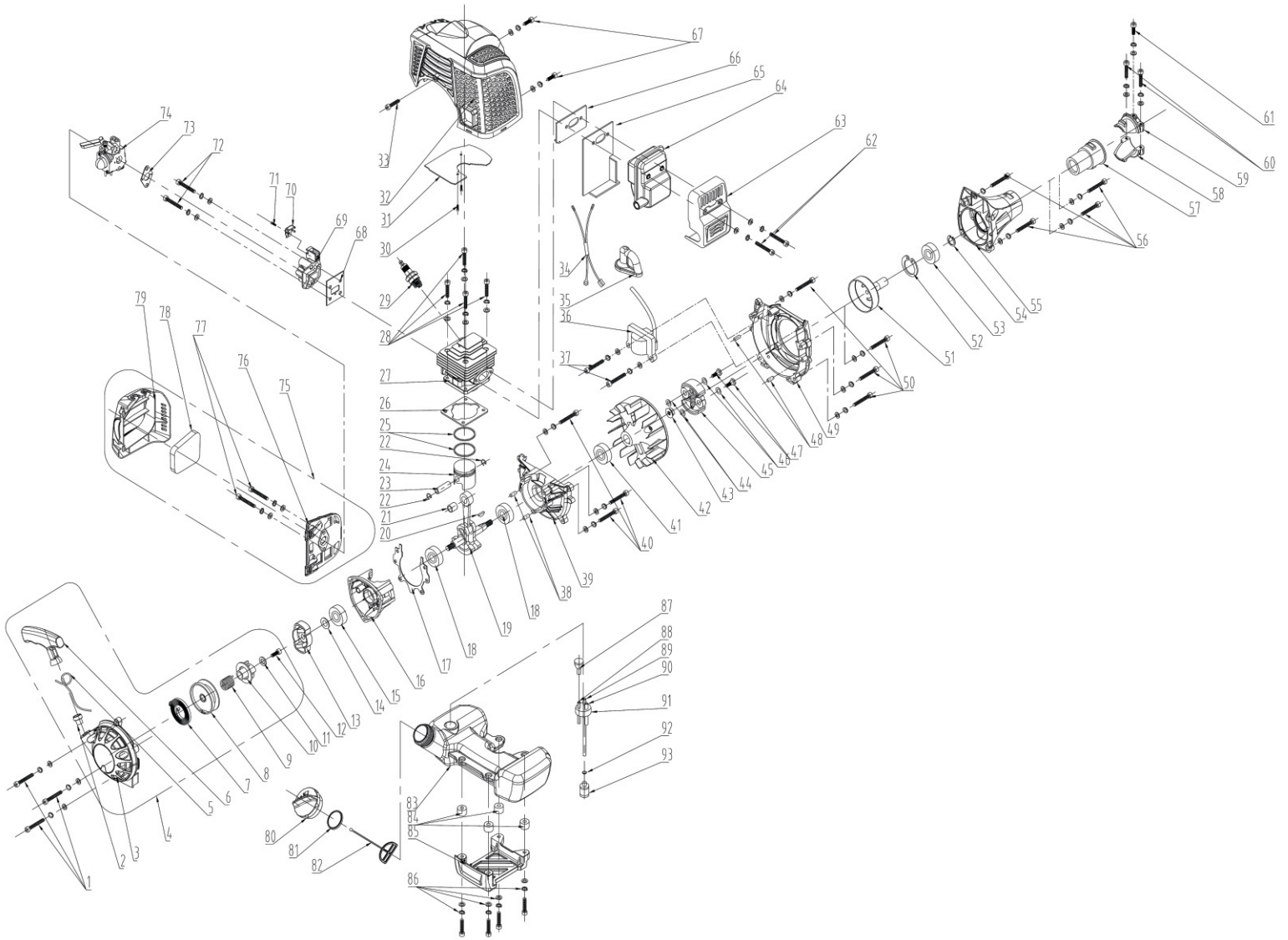
Part Number: 20085776

No.	Description	Qty
79	Air Filter Housing Cover	1
76	Air Filter Housing Base	1
77	Screw M5x45	2





ASSEMBLY PARTS LIST



**ASSEMBLY PARTS LIST**

No.	Description	Qty
1	Screw M5x12	3
2	Pull Cord Sheath	1
3	Starter Cover	1
4	Starter Assembly	1
5	Starter Pull Cord	1
6	Start Handle	1
7	Coil Spring	1
8	Start Pulley	1
9	Start Spring	1
10	Ratchet Wheel	1
11	Plate Washer	1
12	Self-Tapping Screw ST4.8x16	1
13	Start Reel	1
14	Washer 8	1
15	Oil-Seal 12x22x7	1
16	Crankcase RH	1
17	Gasket \ Crankcase	1
18	Bearing 6001	2
19	Crank Shaft Assembly	1
20	Key 3x3.5x10	1
21	Bearing 6001 8x11x11	1
22	Circlip \ Piston Pin	2
23	Piston Pin	1
24	Piston	1
25	Piston Ring	2
26	Gasket \ Cylinder	1
27	Cylinder	1
28	Screw M5x20	4
29	Spark Plug	1
30	Self-Tapping Screw ST4.2x8	2
31	Air Deflector	1
32	Top Housing	1
33	Self-Tapping Screw ST4.8x16	1
34	Wire	1
35	Spark Plug Cover	1
36	Igniter	1
37	Screw M5x20	2
38	Pin Φ 5x10	2
39	Crankcase LH	1

No.	Description	Qty
40	Screw M5x25	3
41	Oil-Seal 12x22x7	1
42	Magneto Rotor	1
43	Flange Nut M8x1	1
44	Flat Washer	2
45	Clutch Assembly	1
46	Elastic Washer M8	2
47	Bolt / Clutch	2
48	Pin Φ 4x10	2
49	Fan Cover	1
50	Screw M5x20	4
51	Passive Disk	1
52	Circlip 35	1
53	Bearing 6202	1
54	Circlip 15	1
55	Clutch Drum Housing	1
56	Screw M6x20	4
57	Rubber	1
58	Clamp RH	1
59	Clamp LH	1
60	Screw M5x25	2
61	Screw M5x12	1
62	Screw M5x52	2
63	Muffler Heat Shield	
64	Muffler	1
65	Gasket \ Muffler	1
66	Gasket \ Muffler	1
67	Screw M4x12	2
68	Gasket	1
69	Admitting Pipe	1
70	Stamping	1
71	Screw M4x6	1
72	Screw M5x20	2
73	Gasket \ Carburetor	1
74	Carburetor	1
75	Air Box Assembly	1
76	Air Box Base	1
77	Screw M5x45	2
78	Air Filter / Foam	1

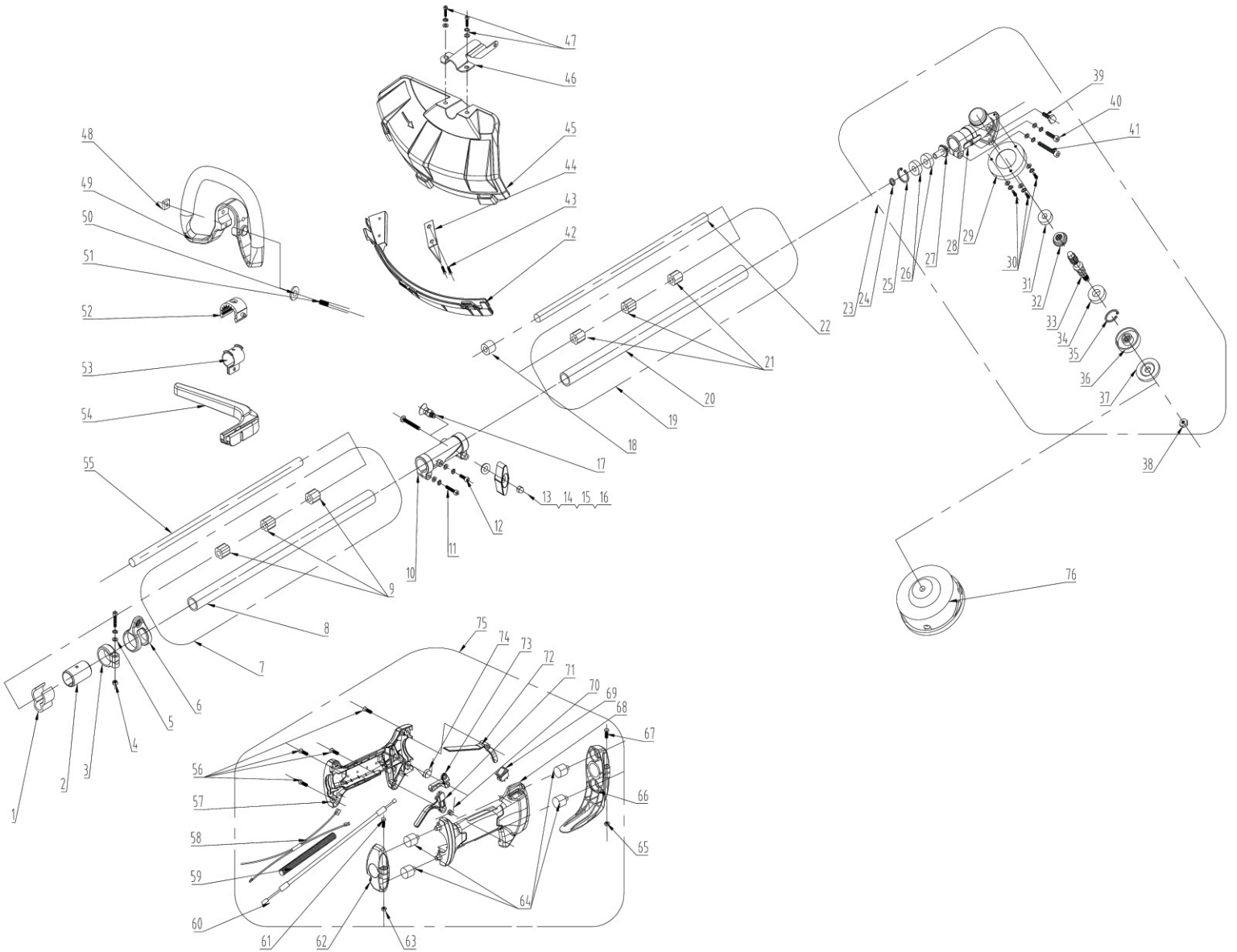
**ASSEMBLY PARTS LIST**

No.	Description	Qty
79	Air Box Cover	1
80	Fuel Tank Cover	1
81	Gasket Rubber	1
82	Anti-Falling Board	1
83	Fuel Tank	1
84	Rubber Bump	4
85	Fuel Tank Housing	1
86	Screw M5x25	4

No.	Description	Qty
87	Balancer	1
88	Air Tube	1
89	Fuel Tube	1
90	Return Tube	1
91	Retainer Fuel Tube	1
92	Snap Ring	1
93	Fuel Filter	1



ASSEMBLY PARTS LIST



ASSEMBLY PARTS LIST

No.	Description	Qty
1	Cord Holder	1
2	Sleeve 26	1
3	Clamp	1
4	Nut M5	1
5	Screw M5x22	1
6	Harness Clamp	1
7	Back Shaft Assembly	1
8	Back Aluminum Tubing	1
9	Rubber \ Shaft	3
10	Connector Assembly	1
11	Screw M5x25	1
12	Screw M5x12	1
13	Screw M6x50	1
14	Plate Washer 6	1
15	Lock Knob	1
16	Nut M6	1
17	Latch	1
18	Stop Collar	1
19	Front Shaft Assembly	1
20	Front Aluminum Tubing	1
21	Rubber \ Shaft	3
22	Driver Shaft	1
23	Gear Box Assembly	1
24	Circlip 10	1
25	Circlip 26	1
26	Ball Bearing 6000-2Z	2
27	Pinion	1
28	Gear Box	1
29	Top Guard	1
30	Screw M5x8	3
31	Bearing 6000-2Z	1
32	Gear	1
33	Gear Shaft	1
34	Ball Bearing 6002-2Z	1
35	Circlip 32	1
36	Blade Retainer	1
37	Cap Washer	1
38	Flange Nut Left	1

No.	Description	Qty
39	Screw M6x12	1
40	Screw M6x12	1
41	Screw M6x25	1
42	Guard Strake	1
43	Self-Tapping Screw ST4.8x13	2
44	Cutting Blade	1
45	Guard	1
46	Clamp \ Guard	1
47	Screw M6x20	2
48	Nut M5	1
49	Front Handle	1
50	Plate Washer	1
51	Locking Screw	1
52	Front Handle Rubber Sleeve	1
53	Locking Sleeve	1
54	Bar	1
55	Driver Shaft	1
56	Self-Tapping Screw ST4.8x13	4
57	Plastic Handle \ LH	1
58	Wire Cable A	1
59	Wire Cable B	1
60	Throttle Cable Assembly	1
61	Screw M5x16	1
62	Handle Base	1
63	Nut M5	1
64	Rear Handle Rubber Sleeve	4
65	Nut M5	1
66	Handle Base	1
67	Screw M5x16	1
68	Plastic Handle \ RH	1
69	Switch	1
70	Spring \ Trigger	1
71	Trigger	1
72	Lock Trigger	1
73	Connecting Rod	1
74	Spring \ Trigger	1
75	Rubber Handle	1
76	String Head Assembly	1

PRORUN regularly improves our products, and you may find slight differences between your machine and descriptions contained within this parts list. Modifications can be made to the machine without notice and without the obligation to update the operator's manuals, provided that the essential safety and functional characteristic remain unaltered. Contact PRORUN Customer Service with any questions and current specifications.