

PRORUN®

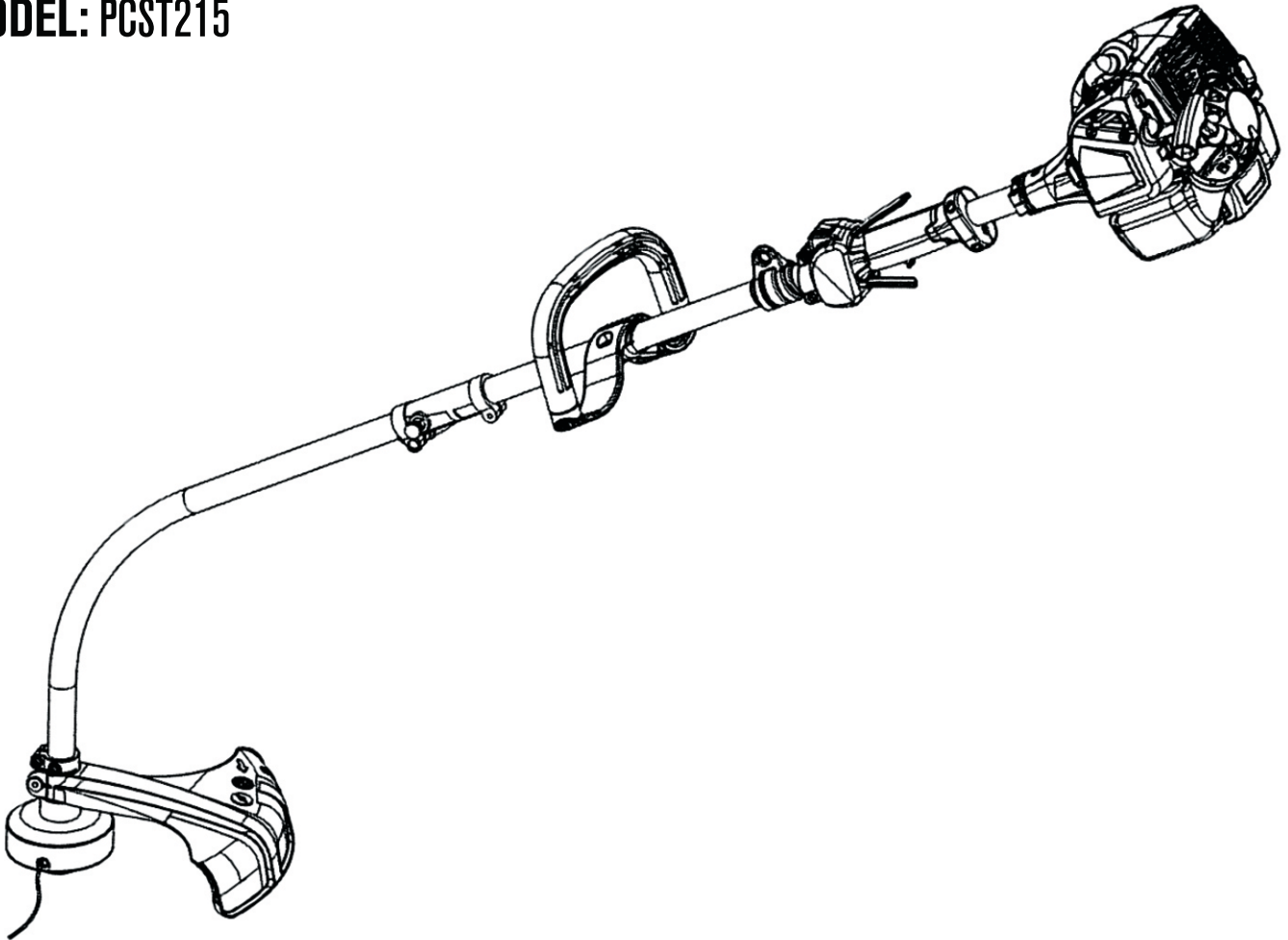
POWER and RELIABILITY™

GAS

PARTS LIST

CURVE SHAFT STRING TRIMMER

MODEL: PCST215



Everything PRORUN

Please let us know what you think.
To leave a review and see our full line of products, visit:

proruntech.com ★ ★ ★ ★ ★

1-844-905-0882, info@proruntech.com

Version: B - Issue Date: 2023/03/15

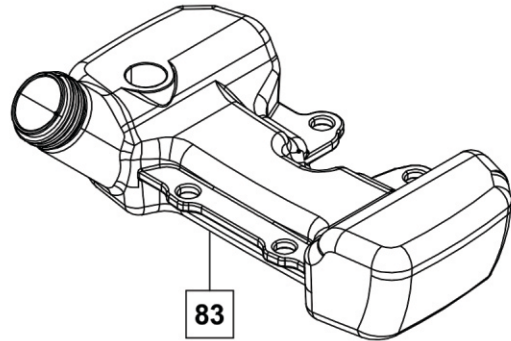


SPARE PARTS / CHASSIS AND ENCLOSURE

FUEL TANK

Part Number: 20070209

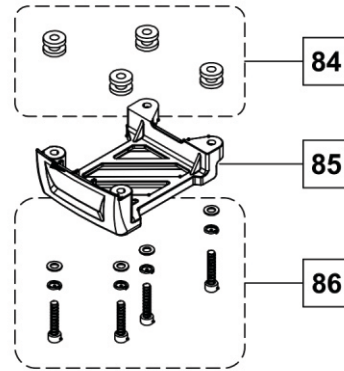
No.	Description	Qty
83	Fuel Tank	1



FUEL TANK BASE ASSEMBLY

Part Number: 68821701

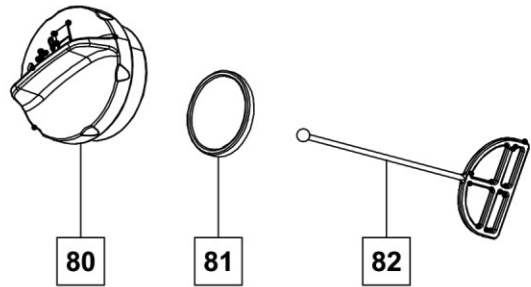
No.	Description	Qty
84	Rubber Bump	4
85	Fuel Tank Housing	1
86	Screw M5x25	4



FUEL TANK CAP ASSEMBLY

Part Number: 20072561

No.	Description	Qty
80	Fuel Tank Cover	1
81	Gasket Rubber	1
82	Anti-Falling Board	1

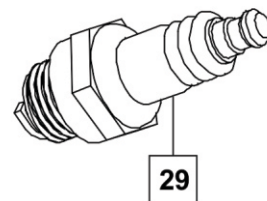


SPARE PARTS / STARTING MECHANISM

SPARK PLUG

Part Number: 20079314

No.	Description	Qty
29	Spark Plug	1



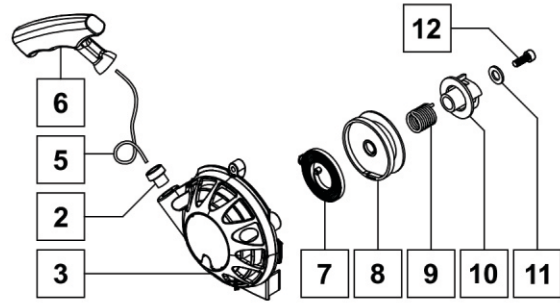


SPARE PARTS / STARTING MECHANISM

STARTER ASSEMBLY

Part Number: 68821702

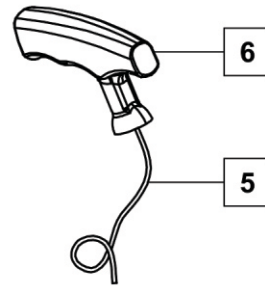
No.	Description	Qty
2	Pull Cord Sheath	1
3	Starter Cover	1
5	Starter Pull Cord	1
6	Start Handle	1
7	Coil Spring	1
8	Start Pulley	1
9	Start Spring	1
10	Ratchet Wheel	1
11	Plate Washer	1
12	Self-Tapping Screw ST4.8x16	1



STARTER GRIP AND ROPE ASSEMBLY

Part Number: 68821703

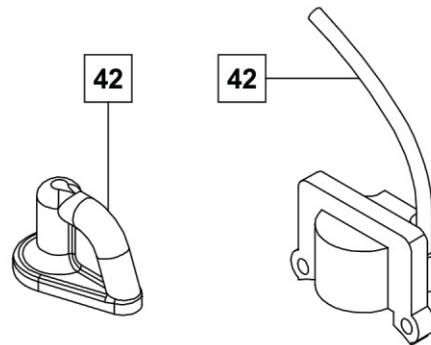
No.	Description	Qty
5	Starter Pull Cord	1
6	Start Handle	1



IGNITION ASSEMBLY

Part Number: 20050977

No.	Description	Qty
36	Igniter	1
35	Spark Plug Cover	1



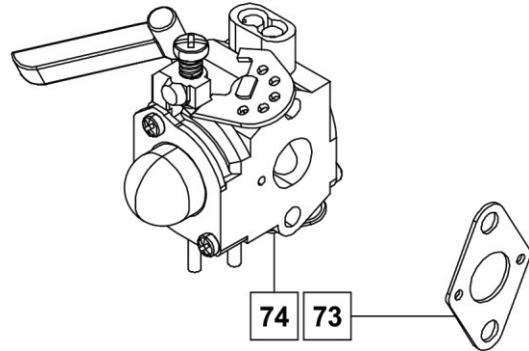


SPARE PARTS / CARBURETOR

CARBURETOR ASSEMBLY

Part Number: 68821705

No.	Description	Qty
74	Carburetor	1
73	Gasket \ Carburetor	1

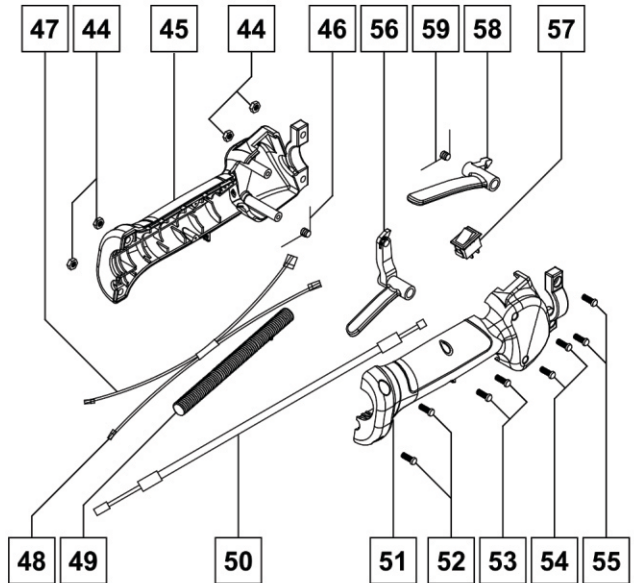


SPARE PARTS / THROTTLE CONTROL, HANDLE, AND SHAFTS

THROTTLE HANDLE ASSEMBLY (H1)

Part Number: 20072569

No.	Description	Qty
44	Nut M5	4
45	Plastic Handle / LH	1
46	Spring / Trigger	1
47	Wire Cable A	1
48	Wire Cable B	1
49	Bushing	1
50	Throttle Cable Assembly	1
51	Plastic Handle / RH	1
52	Screw M5x14	2
53	Self-Tapping Screw ST3.5x9.5	2
54	Self-Tapping Screw ST4.2x10	2
55	Screw M5x14	2
56	Trigger	1
57	Switch	1
58	Lock Trigger	1
59	Spring / Trigger	1



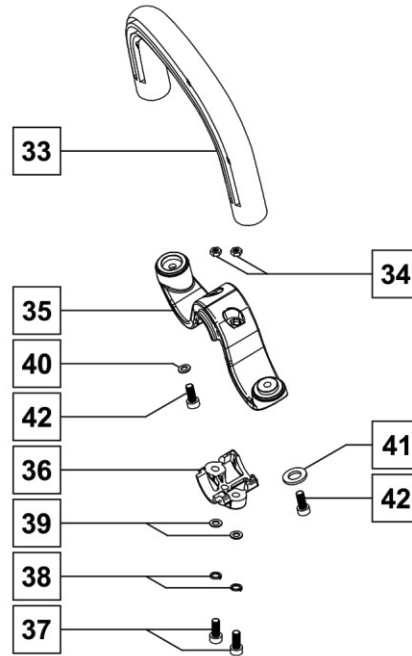


SPARE PARTS / THROTTLE CONTROL, HANDLE, AND SHAFTS

FRONT LOOP HANDLE ASSEMBLY

Part Number: 20071772

No.	Description	Qty
33	Front Handle	1
34	Nut N5	2
35	Handle Base	1
36	Clamp	1
37	Screw M5x28	2
38	Lock Washer 5	2
39	Plate Washer 5	2
40	Plate Washer 5	1
41	Plate Washer	1
42	Self-Tapping Screw ST4.8x19	2

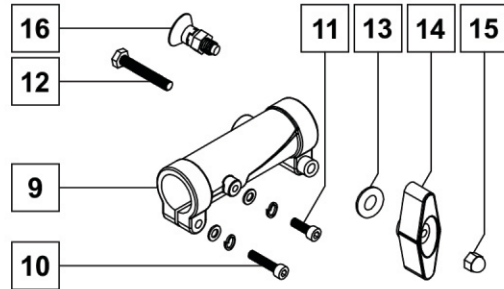


SPARE PARTS / TRIMMER HEAD, GUARD, AND BUSH CUTTER

CONNECTOR ASSEMBLY

Part Number: 20085833

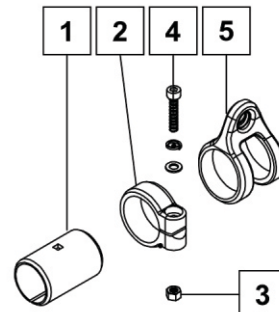
No.	Description	Qty
9	Connector Assembly	1
10	Screw M5x22	1
11	Screw M5x12	1
12	Screw M6x50	1
13	Plate Washer 6	1
14	Locking Knob	1
15	Nut M6	1
16	Latch Bolt	1



HARNESS CLAMP ASSEMBLY

Part Number: 68821706

No.	Description	Qty
1	Sleeve 26	1
2	Clamp	1
3	Nut M5	1
4	Screw M5x22	1
5	Harness Clamp	1

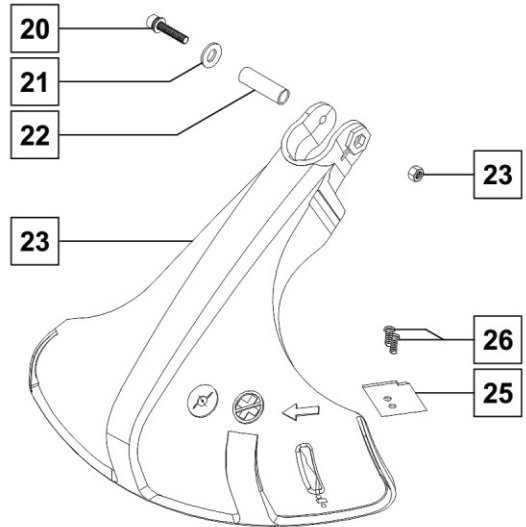




TRIMMER GUARD ASSEMBLY

Part Number: 20074651

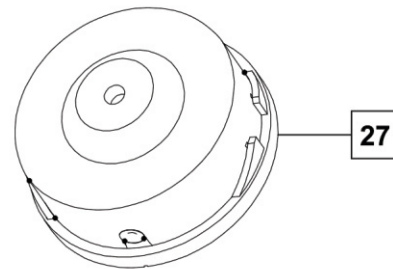
No.	Description	Qty
20	Screw M5x40	1
21	Plate Washer 5x16x1	1
22	Over Set	1
23	Plastic Guard	1
24	Nut M5	1
25	Cutting Blade	1
26	Self-Tapping Screw ST4.2x13	2



TRIMMER BUMP HEAD

Part Number: 20055860

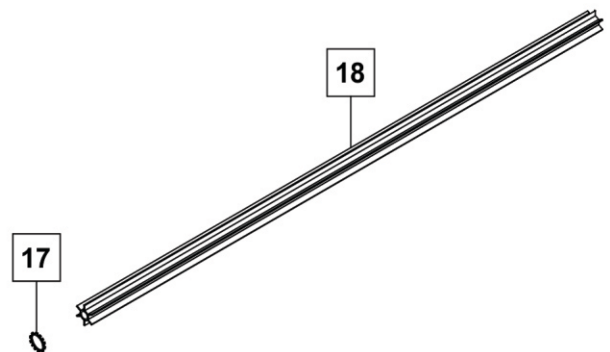
No.	Description	Qty
27	String Head Assembly	1



PLASTIC LINER ASSEMBLY

Part Number: 68821704

No.	Description	Qty
18	Plastic Liner	1
17	Spring Washer	1



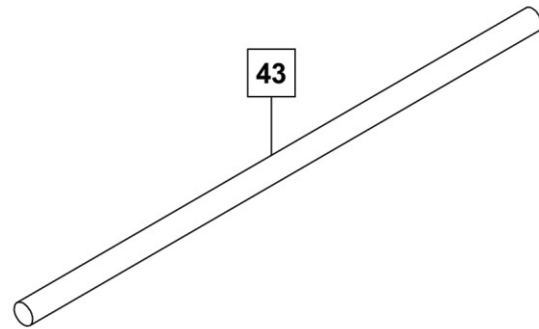


SPARE PARTS / TRIMMER HEAD, GUARD, AND BUSH CUTTER

DRIVER SHAFT

Part Number: 20054026

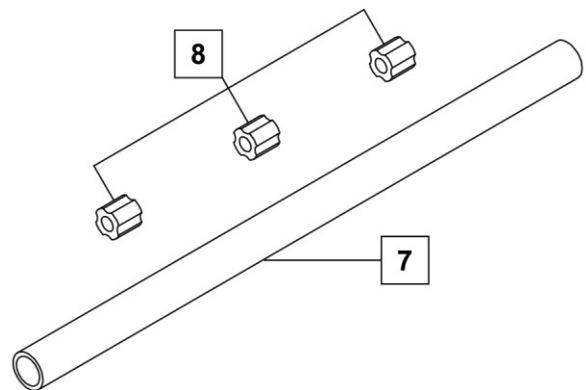
No.	Description	Qty
43	Driver Shaft	1



BACK SHAFT ASSEMBLY

Part Number: 20077191

No.	Description	Qty
7	Back Aluminum Tubing	1
8	Rubber / Shaft	3

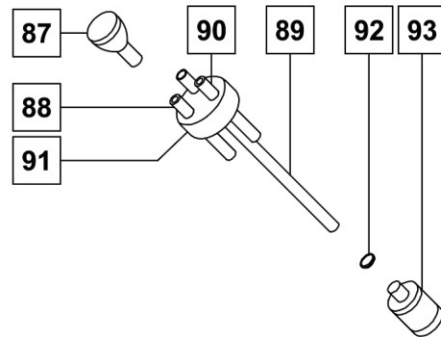


SPARE PARTS / FILTER AND ACCESSORIES

FUEL FILTER ASSEMBLY

Part Number: TBD00000

No.	Description	Qty
87	Balancer	1
88	Air Tube	1
89	Fuel Tube	1
90	Return Tube	1
91	Retainer Fuel Tube	1
92	Snap Ring	1
93	Fuel Filter	1



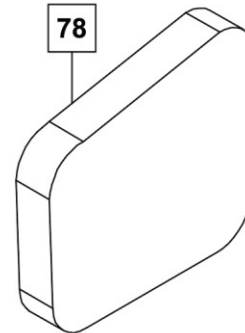


SPARE PARTS / FILTER AND ACCESSORIES

AIR FILTER / FOAM

Part Number: 20058398

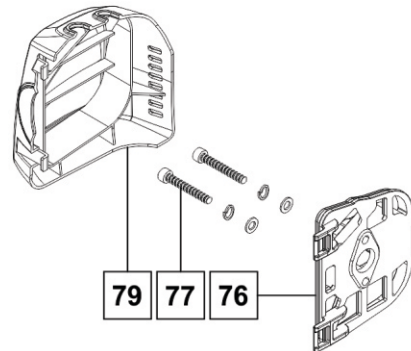
No.	Description	Qty
78	Air Filter / Foam	1



AIR FILTER HOUSING ASSEMBLY

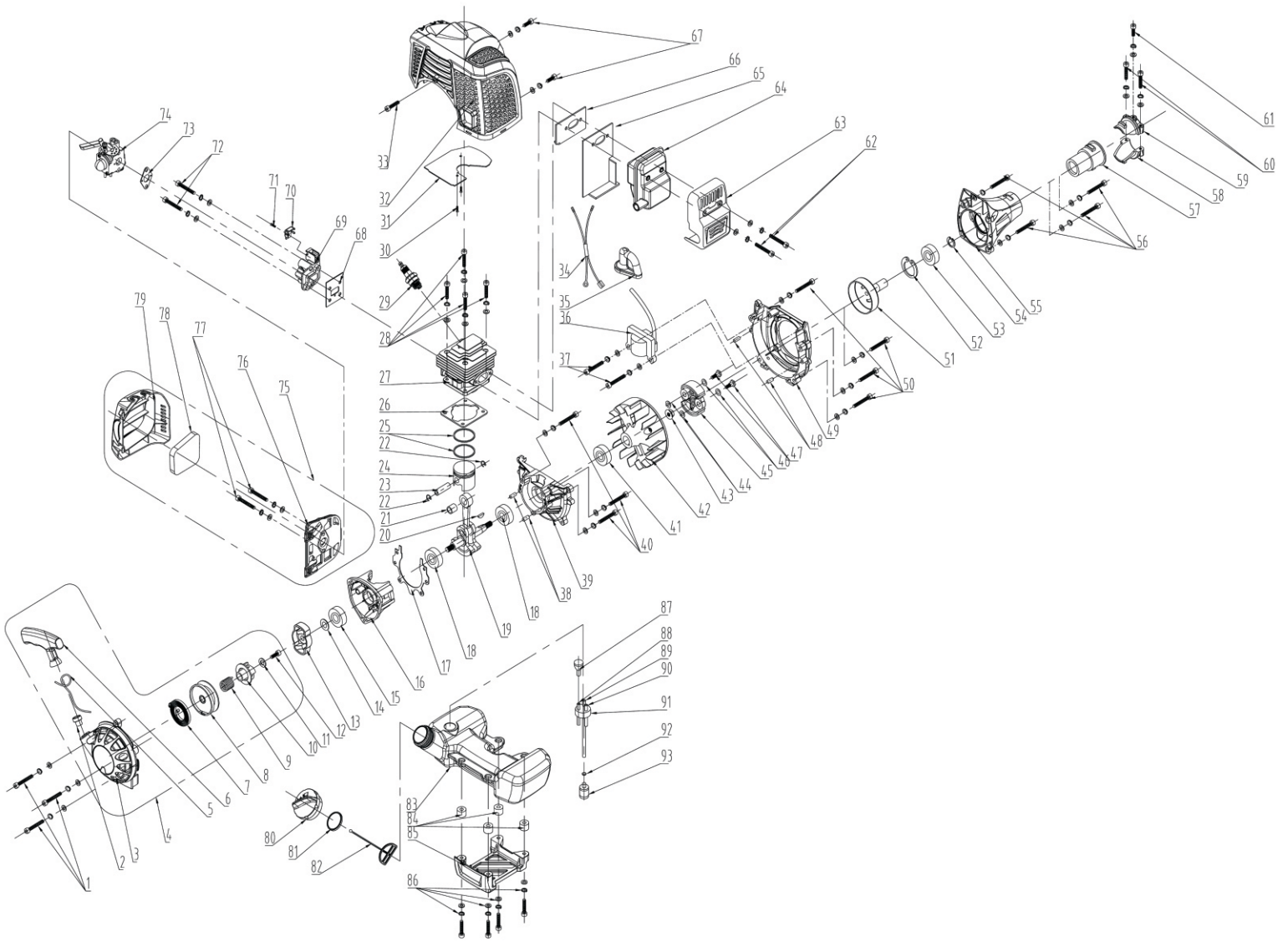
Part Number: 20085776

No.	Description	Qty
79	Air Filter Housing Cover	1
76	Air Filter Housing Base	1
77	Screw M5x45	2





ASSEMBLY PARTS LIST



**ASSEMBLY PARTS LIST**

No.	Description	Qty
1	Screw M5x12	3
2	Pull Cord Sheath	1
3	Starter Cover	1
4	Starter Assembly	1
5	Starter Pull Cord	1
6	Start Handle	1
7	Coil Spring	1
8	Start Pulley	1
9	Start Spring	1
10	Ratchet Wheel	1
11	Plate Washer	1
12	Self-Tapping Screw ST4.8x16	1
13	Start Reel	1
14	Washer 8	1
15	Oil-Seal 12x22x7	1
16	Crankcase RH	1
17	Gasket \ Crankcase	1
18	Bearing 6001	2
19	Crank Shaft Assembly	1
20	Key 3x3.5x10	1
21	Bearing 6001 8x11x11	1
22	Circlip \ Piston Pin	2
23	Piston Pin	1
24	Piston	1
25	Piston Ring	2
26	Gasket \ Cylinder	1
27	Cylinder	1
28	Screw M5x20	4
29	Spark Plug	1
30	Self-Tapping Screw ST4.2x8	2
31	Air Deflector	1
32	Top Housing	1
33	Self-Tapping Screw ST4.8x16	1
34	Wire	1
35	Spark Plug Cover	1
36	Igniter	1
37	Screw M5x20	2
38	Pin Φ 5x10	2

No.	Description	Qty
39	Crankcase LH	1
40	Screw M5x25	3
41	Oil-Seal 12x22x7	1
42	Magneto Rotor	1
43	Flange Nut M8x1	1
44	Flat Washer	2
45	Clutch Assembly	1
46	Elastic Washer M8	2
47	Bolt / Clutch	2
48	Pin Φ 4x10	2
49	Fan Cover	1
50	Screw M5x20	4
51	Passive Disk	1
52	Circlip 35	1
53	Bearing 6202	1
54	Circlip 15	1
55	Clutch Drum Housing	1
56	Screw M6x20	4
57	Rubber	1
58	Clamp RH	1
59	Clamp LH	1
60	Screw M5x25	2
61	Screw M5x12	1
62	Screw M5x52	2
63	Muffler Heat Shield	
64	Muffler	1
65	Gasket \ Muffler	1
66	Gasket \ Muffler	1
67	Screw M4x12	2
68	Gasket	1
69	Admitting Pipe	1
70	Stamping	1
71	Screw M4x6	1
72	Screw M5x20	2
73	Gasket \ Carburetor	1
74	Carburetor	1
75	Air Box Assembly	1
76	Air Filter Housing Base	1



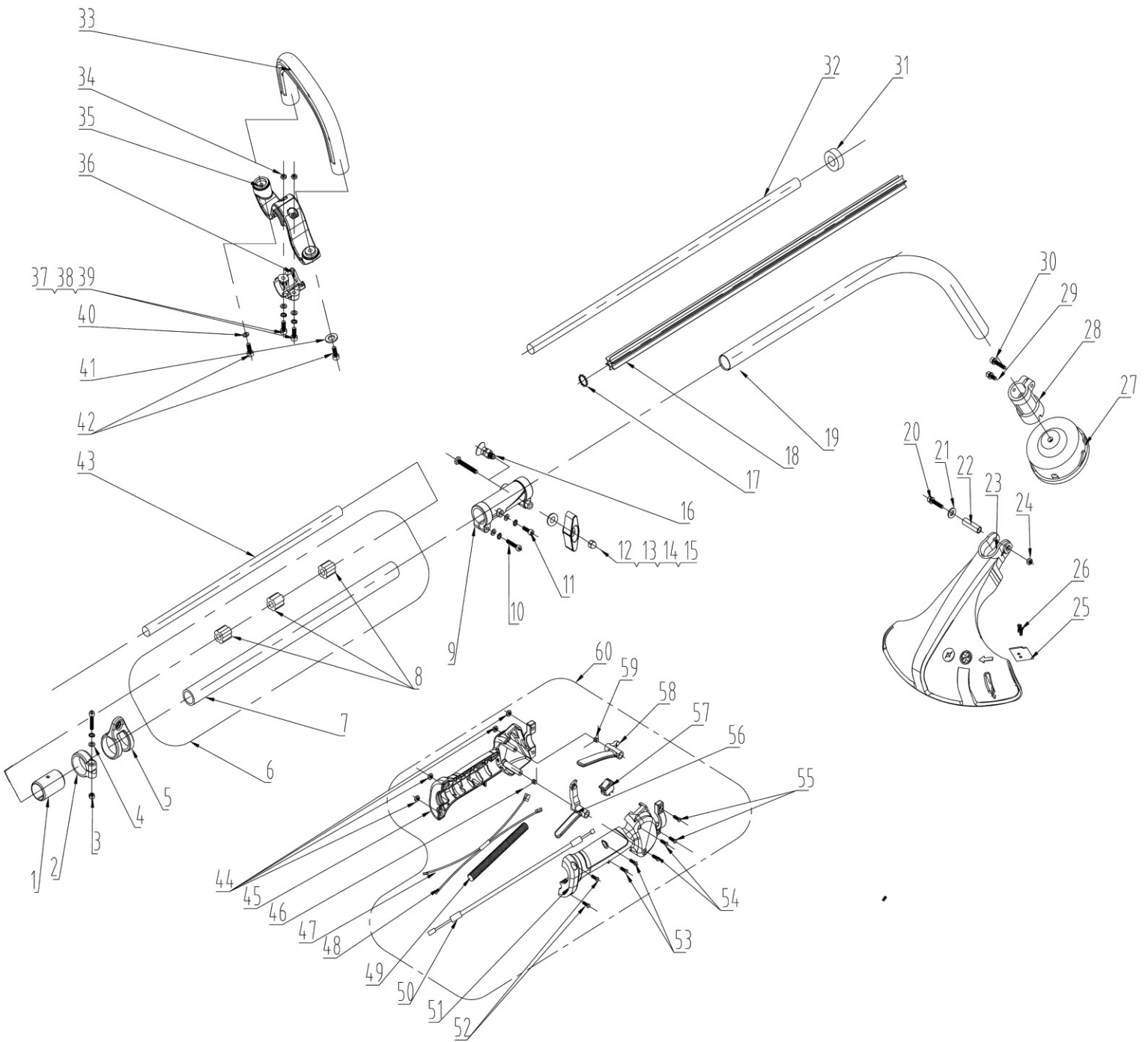
ASSEMBLY PARTS LIST

No.	Description	Qty
77	Screw M5x45	2
78	Air Filter	1
79	Air Filter Housing Cover	1
80	Fuel Tank Cover	1
81	Gasket Rubber	1
82	Anti-Falling Board	1
83	Fuel Tank	1
84	Rubber Bump	4
85	Fuel Tank Housing	1

No.	Description	Qty
86	Screw M5x25	4
87	Balancer	1
88	Air Tube	1
89	Fuel Tube	1
90	Return Tube	1
91	Retainer Fuel Tube	1
92	Snap Ring	1
93	Fuel Filter	1



ASSEMBLY PARTS LIST



ASSEMBLY PARTS LIST

No.	Description	Qty
1	Sleeve 26	1
2	Clamp	1
3	Nut M5	1
4	Screw M5x22	1
5	Harness Clamp Assembly	1
6	Back Shaft	1
7	Back Aluminum Tubing	1
8	Rubber / Shaft	3
9	Connector Assembly	1
10	Screw M5x22	1
11	Screw M5x12	1
12	Screw M6x50	1
13	Plate Washer 6	1
14	Locking Knob	1
15	Nut M6	1
16	Bolt	1
17	Spring Washer	1
18	Plastic Liner	1
19	Curve Tubing	1
20	Screw M5x40	1
21	Plate Washer 5x16x1	1
22	Over Set	1
23	Plastic Guard	1
24	Nut M5	1
25	Cutting Blade	1
26	Self-Tapping Screw ST4.2x13	2
27	String Head Assembly	1
28	Connector Assembly	1
29	Screw M5x12	1
30	Screw M5x25	1

No.	Description	Qty
31	Eyelet	1
32	Flex Shaft	1
33	Front Handle	1
34	Nut N5	2
35	Handle Base	1
36	Clamp	1
37	Screw M5x28	2
38	Lock Washer 5	2
39	Plate Washer 5	2
40	Plate Washer 5	1
41	Plate Washer	1
42	Self-Tapping Screw ST4.8x19	2
43	Driver Shaft	1
44	Nut M5	4
45	Plastic Handle / LH	1
46	Spring / Trigger	1
47	Wire Cable A	1
48	Wire Cable B	1
49	Bushing	1
50	Throttle Cable Assembly	1
51	Plastic Handle / RH	1
52	Screw M5x14	2
53	Self-Tapping Screw ST3.5x9.5	2
54	Self-Tapping Screw ST4.2x10	2
55	Screw M5x14	2
56	Trigger	1
57	Switch	1
58	Lock Trigger	1
59	Spring / Trigger	1
60	Rear Handle	1

PRORUN regularly improves our products, and you may find slight differences between your machine and descriptions contained within this parts list. Modifications can be made to the machine without notice and without the obligation to update the operator's manuals, provided that the essential safety and functional characteristic remain unaltered. Contact PRORUN Customer Service with any questions and current specifications.