

PRORUN®

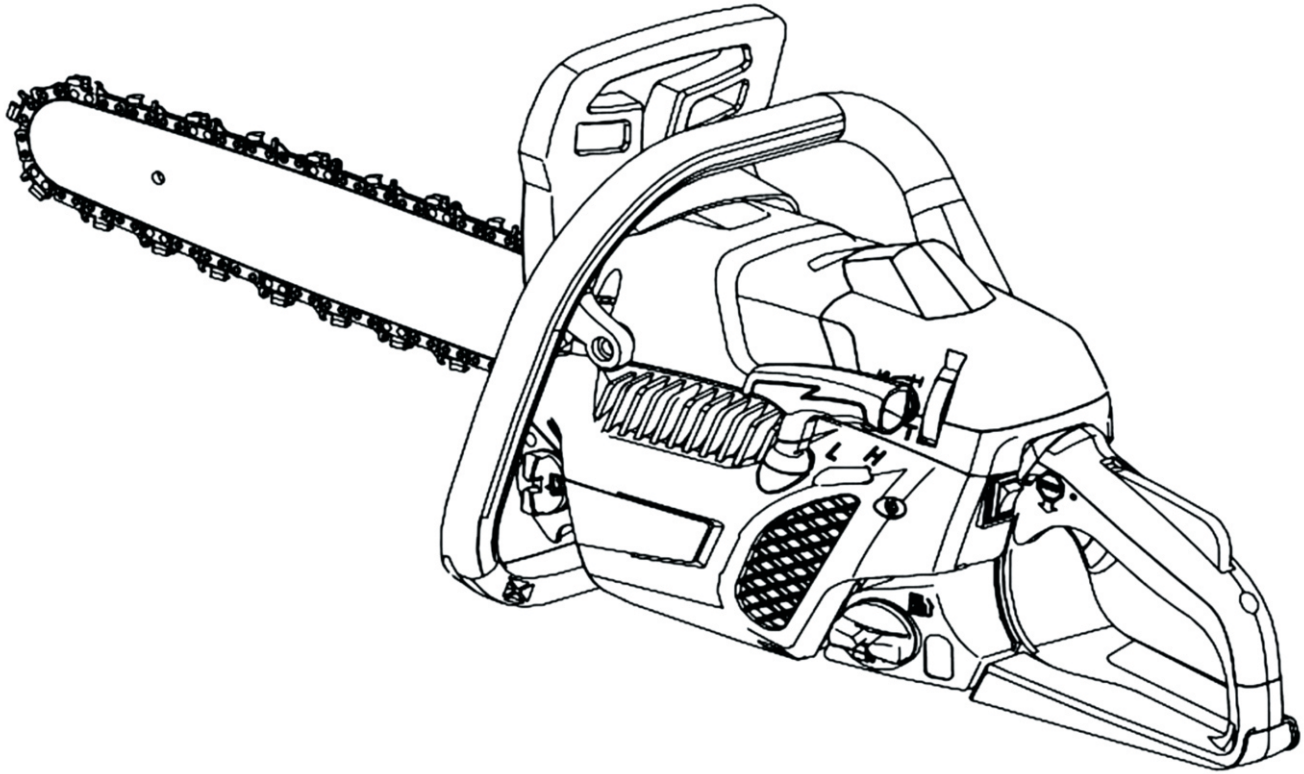
POWER and RELIABILITY™

GAS

CHAINSAW

MODEL: PCS420C

PARTS LIST



Everything PRORUN

Please let us know what you think.
To leave a review and see our full line of products, visit:

proruntech.com ★ ★ ★ ★ ★

1-844-905-0882, info@proruntech.com

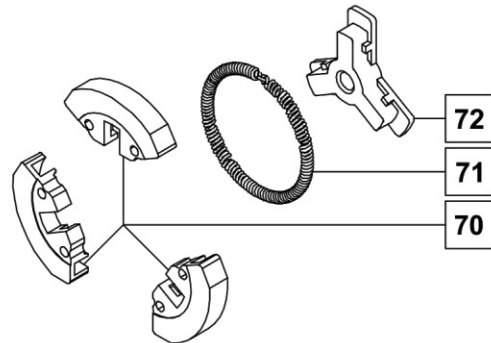
Version: B - Issue Date: 2023/03/15

SPARE PARTS / ENGINE

CLUTCH ASSEMBLY

Part Number: 20056591

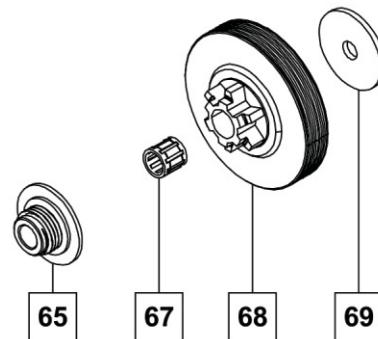
No.	Description	Qty
70	Shoe Block	3
71	Clutch Extension Spring	1
72	Retainer	1



SPROCKET ASSEMBLY

Part Number: 68821401

No.	Description	Qty
65	Turbine Worm Gear	1
67	Needle Bearing 10×13×13	1
68	Clutch Shell	1
69	Clutch Adjusting Washer	1

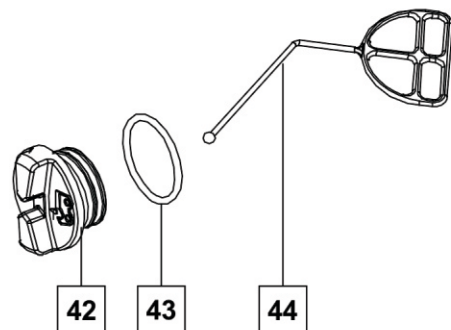


SPARE PARTS / CHASSIS AND ENCLOSURE

FUEL CAP ASSEMBLY

Part Number: 20074393

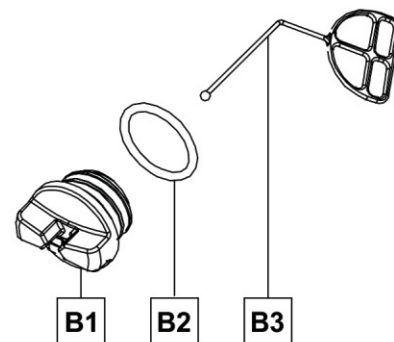
No.	Description	Qty
42	Fuel Cover	1
43	Rubber Seal	1
44	Anti-Drop Plate	1



OIL CAP ASSEMBLY

Part Number: 20074392

No.	Description	Qty
B1	Oil Cover	1
B2	Packing Washing	1
B3	Anti-Drop Plate	1

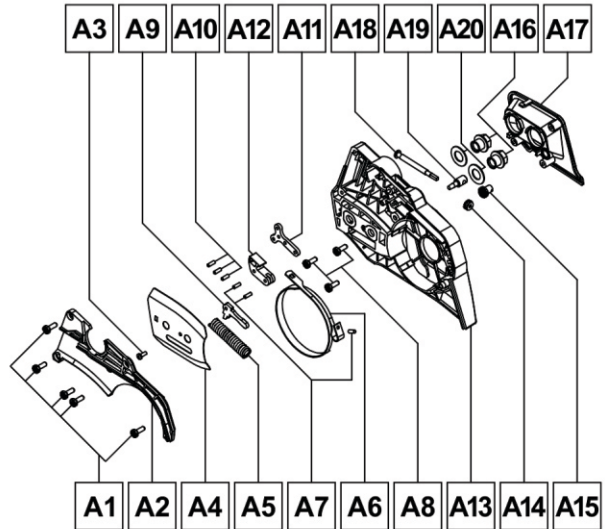


SPARE PARTS / CHASSIS AND ENCLOSURE

CHAIN COVER ASSEMBLY

Part Number: 20085778

No.	Description	Qty
A1	Self-Tapping Screw ST4×10	5
A2	Brake Spring Cover Plate	1
A3	Screw M4×8	1
A4	Tensioner Cover Plate	1
A5	Brake Spring	1
A6	Brake Strap	1
A7	Pin 3×9	3
A8	Self-Tapping Screw ST4×10	3
A9	Brake Control Rod	1
A10	Pin 3.05×9	3
A11	Secondary Pull-Rod	1
A12	Main Level	1
A13	Right Cover Assembly	1
A14	Driven Gear	1
A15	Driving Gear	1
A16	Nut M8	2
A17	Nut Plate	1
A18	Tightener Screw	1
A19	Tension Block	1
A20	Flat Washer	2

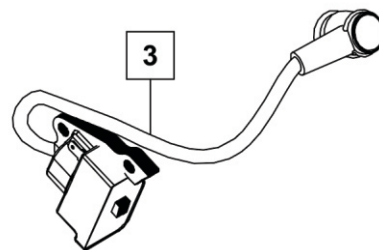


SPARE PARTS / STARTING MECHANISM

IGNITION ASSEMBLY

Part Number: 20050753

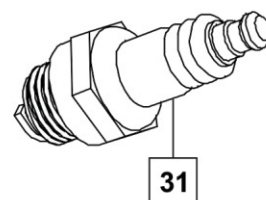
No.	Description	Qty
3	Igniter	1



SPARK PLUG

Part Number: 20079314

No.	Description	Qty
31	Spark Plug	1



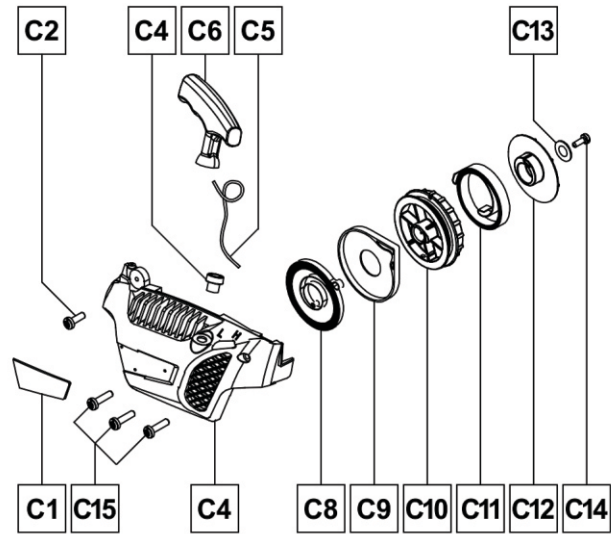


SPARE PARTS / STARTING MECHANISM

STARTER ASSEMBLY

Part Number: 20060872

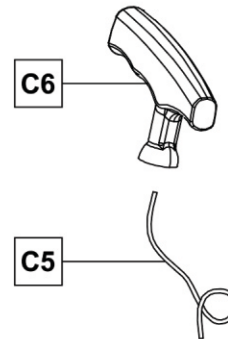
No.	Description	Qty
C1	Label	1
C2	Screw M5×20	1
C3	Start Cover	1
C4	Pull Cord Sheath	1
C5	Starter Pull Cord	1
C6	Starter Handle	1
C7	Bossing	1
C8	Start Coil Spring	1
C9	Coil Spring Cover	1
C10	Start Plate	1
C11	Easy Start-Coil Spring	1
C12	Easy Start-Coil Spring Cover	1
C13	Flat Washer Φ5	1
C14	Self-Tapping Screw ST4.8×13	4



STARTER GRIP AND ROPE ASSEMBLY

Part Number: 68821404

No.	Description	Qty
C5	Starter Pull Cord	1
C6	Starter Handle	1



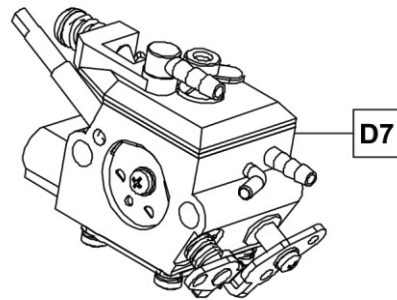


SPARE PARTS / CARBURETOR

CARBURETOR

Part Number: 20075560

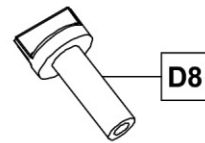
No.	Description	Qty
D7	Carburetor	1



THROTTLE ROD

Part Number: 20057358

No.	Description	Qty
D8	Throttle Rod	1

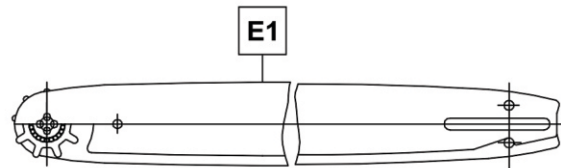


SPARE PARTS / BAR AND CHAIN

18-INCH GUIDE BAR

Part Number: 30001422

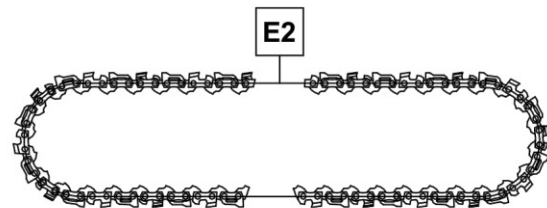
No.	Description	Qty
E1	Guide Bar 18 Inch	1



18-INCH SAW CHAIN

Part Number: 30001579

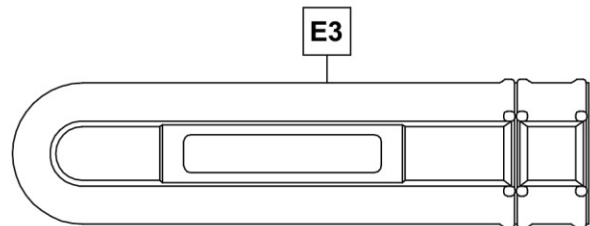
No.	Description	Qty
E2	Saw Chain 18 Inch	1



18-INCH BAR AND CHAIN COVER

Part Number: 30001170

No.	Description	Qty
E3	Guide Sleeve 18 Inch	1



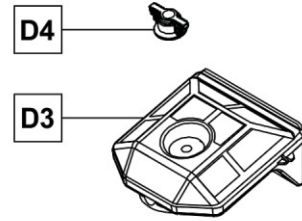


SPARE PARTS / FILTER AND ACCESSORIES

AIR FILTER ASSEMBLY

Part Number: 68842001

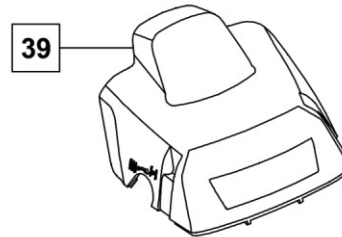
No.	Description	Qty
D3	Air Filter Assembly	1
D4	Rotary Knob	1



AIR FILTER COVER

Part Number: 20065130

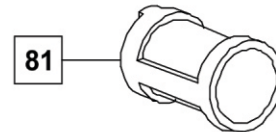
No.	Description	Qty
39	Air Filter Cover	1



OIL FILTER SCREEN

Part Number: 20054698

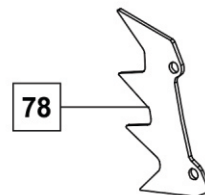
No.	Description	Qty
81	Oil Filter Screen	1



BUMPER SPIKES

Part Number: 20057297

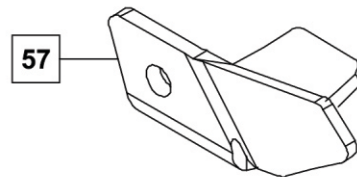
No.	Description	Qty
78	Bumper Spikes	1



CHAIN CATCHER

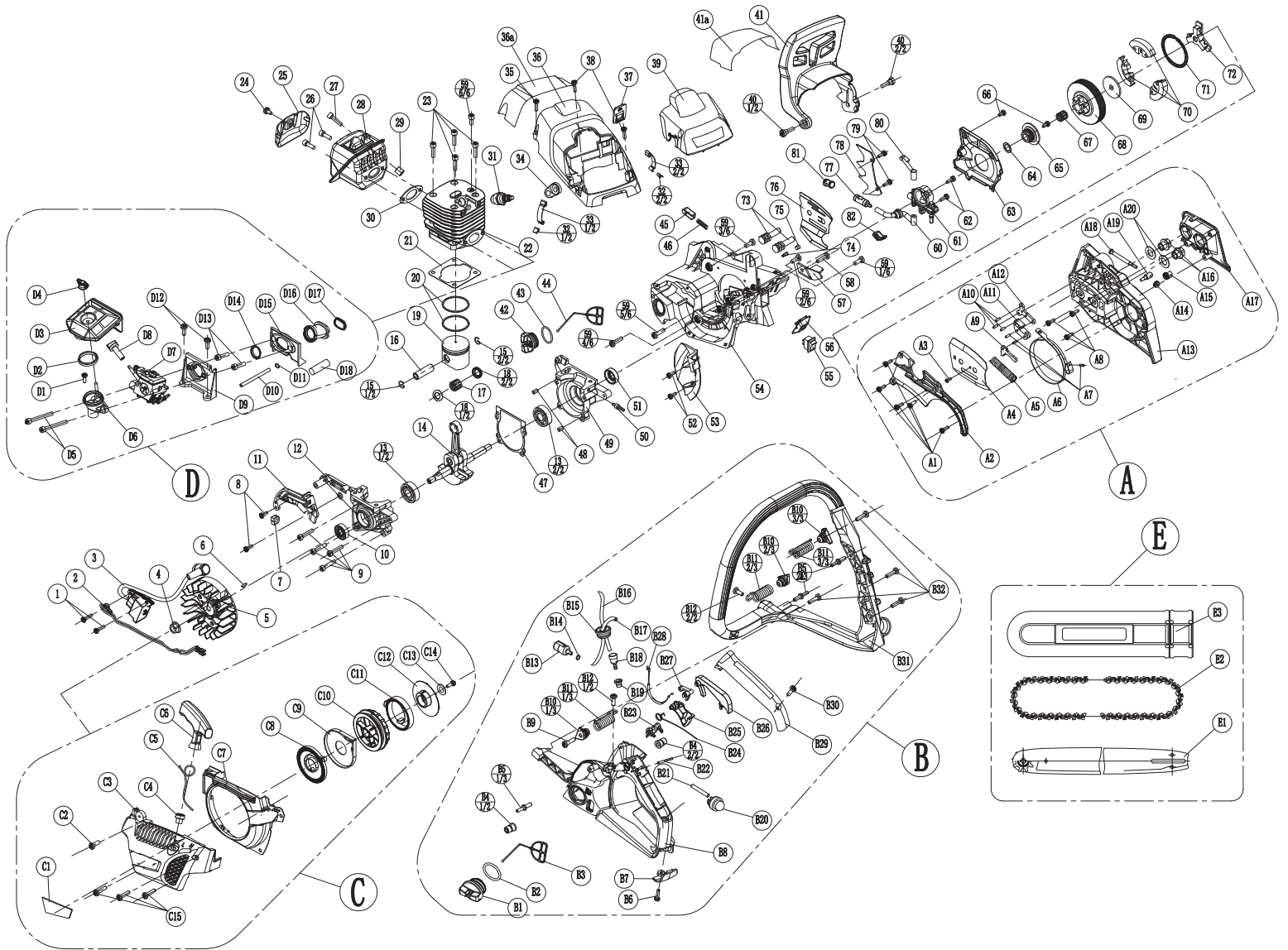
Part Number: 20057287

No.	Description	Qty
57	Chain Catcher	1





ASSEMBLY PARTS LIST



ASSEMBLY PARTS LIST

No.	Description	Qty
A	Brake Assembly	1
A1	Self-Tapping Screw ST4×10	5
A2	Brake Spring Cover Plate	1
A3	Screw M4×8	1
A4	Tensioner Cover Plate	1
A5	Brake Spring	1
A6	Brake Strap	1
A7	Pin 3×9	3
A8	Self-Tapping Screw ST4×10	3
A9	Brake Control Rod	1
A10	Pin 3.05×9	3
A11	Secondary Pull-Rod	1
A12	Main Level	1
A13	Right Cover Assembly	1
A14	Driven Gear	1
A15	Driving Gear	1
A16	Nut M8	2
A17	Nut Plate	1
A18	Tightener Screw	1
A19	Tension Block	1
A20	Flat Washer	2

No.	Description	Qty
B11	Damping Spring	3
B12	Self-Tapping Screw ST4.8×16	2
B13	Gasoline Filter	1
B14	Circlip	1
B15	Tubing Bridge	1
B16	Oil Tube2.5×5×100	1
B17	Oil Tube2.5×5×200	1
B18	Balancer Body	1
B19	Balancer Seat	1
B20	Oil Vacuole	1
B21	Oil Tube2.5×5×60	
B22	Pin Φ3×25	1
B23	Limited Block	1
B24	Trigger Torsion Rod Spring	1
B25	Trigger	1
B26	Trigger Control Rack	1
B27	Limited Block	1
B28	Cable Accelerator	1
B29	Handle Cover	1
B30	Self-Tapping Screw ST4.8×12	1
B31	Bale Handle	1
B32	Self-Tapping Screw ST4.8×16	3

No.	Description	Qty
B	Tank, Fuel, Bale Handle Assembly	1
B1	Oil Cover	1
B2	Packing Washing	1
B3	Anti-Drop Plate	1
B4	Shock-Reducing Rubber	2
B5	Self-Tapping Screw STSt5×14	3
B6	Self-Tapping Screw ST4×10	1
B7	Plate	1
B8	Fuel Tank Assembly	1
B9	Self-Tapping Screw St4.8×16	1
B10	Damping Spring Socket	3

No.	Description	Qty
C	Starter Assembly	1
C1	Label	1
C2	Screw M5×20	1
C3	Start Cover	1
C4	Pull Cord Sheath	1
C5	Starter Pull Cord	1
C6	Starter Handle	1
C7	Bossing	1
C8	Start Coil Spring	1
C9	Coil Spring Cover	1

**ASSEMBLY PARTS LIST**

No.	Description	Qty
C10	Start Plate	1
C11	Easy Start-Coil Spring	1
C12	Easy Start-Coil Spring Cover	1
C13	Flat Washer $\Phi 5$	1
C14	Self-Tapping Screw ST4.8 \times 13	1
C15	Self-Tapping Screw ST4.8 \times 16	3

No.	Description	Qty
D	Air Intake System	1
D1	Self-Tapping Screw ST4.8 \times 12	1
D2	Rubber Seal	1
D3	Air Filter Assembly	1
D4	Rotary Knob	1
D5	Screw M5 \times 50	2
D6	Air Intake Socket	1
D7	Carburetor	1
D8	Throttle Rod	1
D9	Fixed Seat For Carburetor	1
D10	Suction Tube Circlip 3 \times 6.5 \times 110	1
D11	Circlip	1
D12	Self-Tapping Screw ST4.8 \times 12	2
D13	Screw M5 \times 20	2
D14	Hold Coil	1
D15	Dummy Plate	1
D16	Air Intake Tube	1
D17	Hold Coil	1
D18	Drive Pipe $\Phi 7 \times 90$	1

No.	Description	Qty
E	Cutting System	1
E1	Guide Bar 18 Inch	1
E2	Saw Chain 18 Inch	1
E3	Guide Sleeve 18 Inch	1

No.	Description	Qty
1	Screw M4 \times 20	2
2	Extinction Conductor	1
3	Igniter	1
4	Nut M8 \times 1	1
5	Flywheel	1
6	Semicircular Key	1
7	Rubber Sleeve	1
8	Tapping Screw ST4 \times 12	2
9	Screw M5 \times 25	4
10	Oil Seal 12 \times 22 \times 7	1
11	Circuit Board	1
12	Left Case Body	1
13	Bearing 6201 Grade D	2
14	Crankshaft	1
15	Piston Pin Clip	2
16	Piston Pin	1
17	Needle Bearing 10 \times 14 \times 12	1
18	Needle Bearing Ring	2
19	Piston	1
20	Piston Ring	2
21	Cylinder Gasket	1
22	Cylinder	1
23	Screw M5 \times 20	4
24	Screw M5 \times 10	1
25	Cover Plate	1
26	Screw M5 \times 20	2
27	Screw M5 \times 20	1
28	Muffler Assembly	1
29	Support Column	1
30	Muffler Sealing Plate	1
31	Spark Plug	1
32	Dead Plate	2
33	Snap Joint	2

ASSEMBLY PARTS LIST

No.	Description	Qty
34	Idle Adjusting Guide Set	1
35	Self-Tapping Screw ST4×16	1
36	Top Housing	1
36A	Label	1
37	Hot Blast Valve	1
38	Self-Tapping Screw ST4×22	2
39	Air Filter Cover	1
40	Screw	2
41	Handle Guard	1
41A	Label	1
42	Fuel Cover	1
43	Rubber Seal	1
44	Anti-Drop Plate	1
45	Reset Device	1
46	Reset Spring	1
47	Case Body Sealing Plate	1
48	Pin Φ5×10	2
49	Right Case Body	1
50	Suction Jet	1
51	Oil Seal 12×22×7	1
52	Self-Tapping Screw ST4×12	2
53	Sir Deflector	1
54	Engine Base	1
55	Extinction Switch	1
56	Shoe Block	1
57	Chain Catcher	1

No.	Description	Qty
58	Self-Tapping Screw ST4.8×16	1
59	Screw M5×14	6
60	Oil Tube	1
61	Oil Pump	1
62	Screw M4×12	2
63	Cover Plate	1
64	Turbine Gasket 10×18×1	1
65	Turbine Worm Gear	1
66	Self-Tapping Screw St4×12	2
67	Needle Bearing10×13×13	1
68	Clutch Shell	1
69	Clutch Adjusting Washer	1
70	Shoe Block	3
71	Clutch Extension Spring	1
72	Retainer	1
73	Bolt M8×42	2
74	Aeration Jet	1
75	Sponge Transition Block	1
76	Damper	1
77	Oil Filter	1
78	Bumper Spikes	1
79	Self-Tapping Screw ST4.8×16	2
80	Nozzle	1
81	Oil Filter Screen	1
82	Rubber Sleeve	1

PRORUN regularly improves our products, and you may find slight differences between your machine and descriptions contained within this parts list. Modifications can be made to the machine without notice and without the obligation to update the operator's manuals, provided that the essential safety and functional characteristic remain unaltered. Contact PRORUN Customer Service with any questions and current specifications.