

# PRORUN®

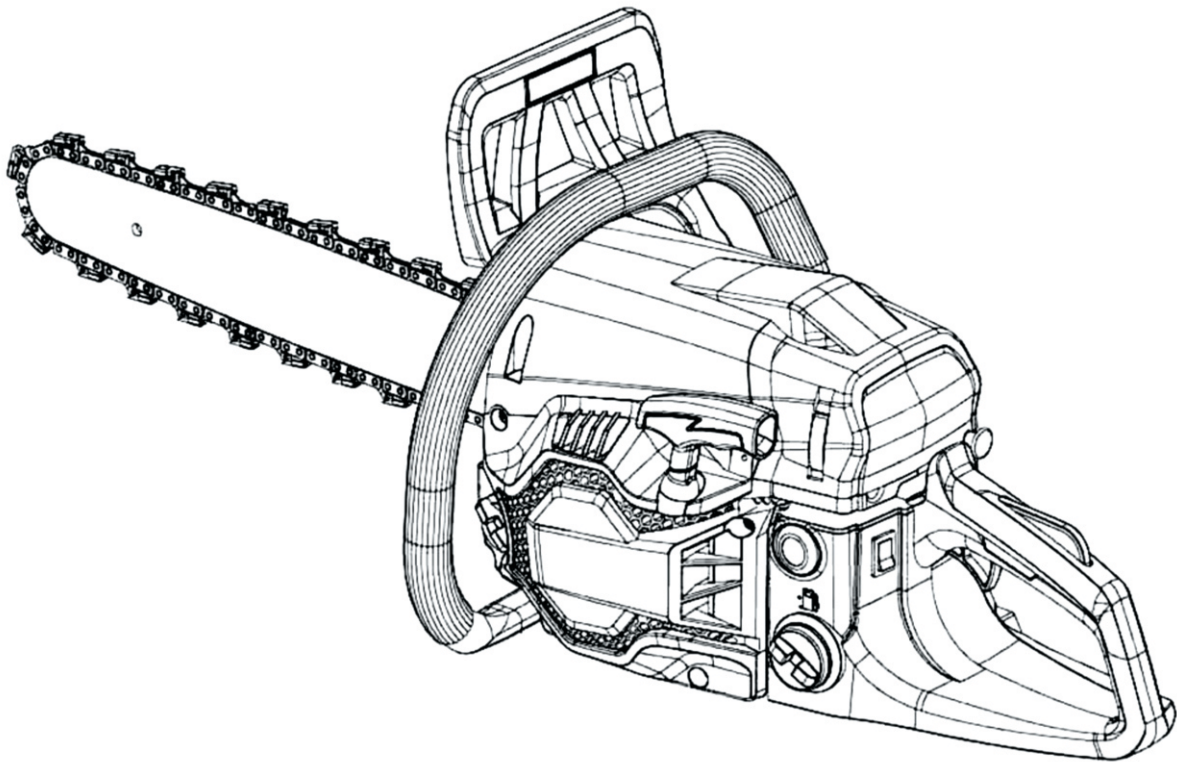
**POWER and RELIABILITY™**

**GAS**

**CHAINSAW**

**MODEL: PCS218**

## PARTS LIST



Everything PRORUN

Please let us know what you think.  
To leave a review and see our full line of products, visit:

**proruntech.com** ★ ★ ★ ★ ★

1-844-905-0882, [info@proruntech.com](mailto:info@proruntech.com)

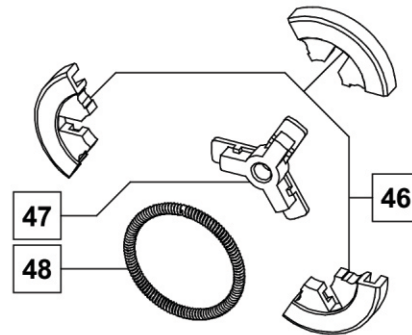
Version: B - Issue Date: 2023/03/15

**SPARE PARTS / ENGINE**

**CLUTCH ASSEMBLY**

Part Number: 20057397

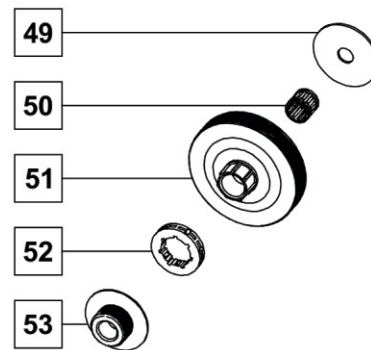
No.	Description	Qty
46	Shoe Block	3
47	Retainer	1
48	Clutch Extension Spring	1



**SPROCKET ASSEMBLY**

Part Number: 68821801

No.	Description	Qty
49	Clutch Adjusting Washer	1
50	Needle Bearing 12x15x14.5	1
51	Clutch Shell	1
52	Sprocket	1
53	Turbine	1

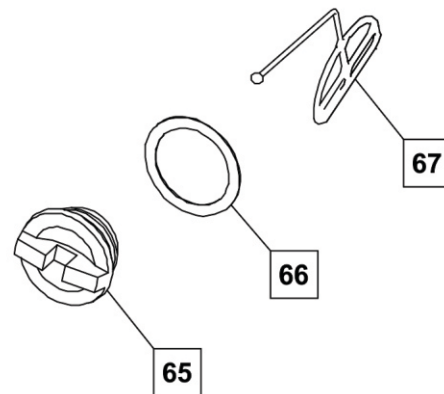


**SPARE PARTS / CHASSIS AND ENCLOSURE**

**FUEL CAP ASSEMBLY**

Part Number: 20076904

No.	Description	Qty
65	Fuel Cover	1
66	Packing Washing 23x34x1.7	1
67	Anti-Drop Plate	1

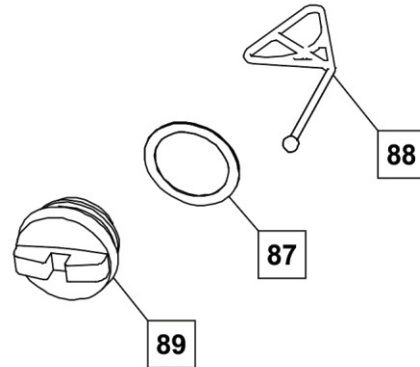


**SPARE PARTS / CHASSIS AND ENCLOSURE**

**OIL CAP ASSEMBLY**

Part Number: 20074399

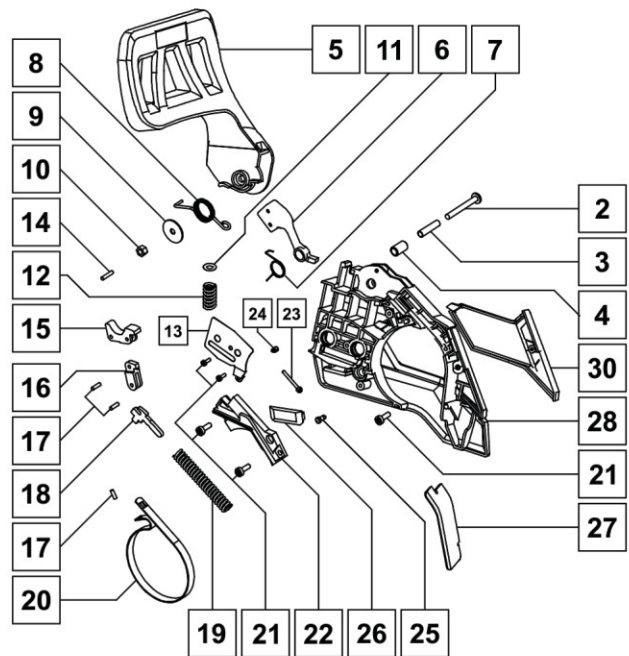
No.	Description	Qty
87	Packing Washing 20×30×2	1
88	Anti-Drop Plate	1
89	Oil Cover	1



**CHAIN COVER ASSEMBLY**

Part Number: 68821802

No.	Description	Qty
1	Clutch Cover Assembly	1
2	Screw M5x40	1
3	Pin Gland 5x6.3x30	1
4	Heavy Brock Gland 6.3x9x15	1
5	Front Damper	1
6	Heavy Brock	1
7	Heavy Brock Spring	1
8	Brake Torsion Rod Spring	1
9	Washer 5.2x20x1.2	1
10	Lock- Nut M5	1
11	Spring Base	1
12	Front Guard Spring	1
13	Tensioner Cover Plate	1
14	Pin Φ3x14	1
15	Main Level	1
16	Secondary Pull-Rod	1
17	Pin 3x9	3
18	Break Control Rod	1
19	Brake Spring	1
20	Break Strap	1
21	Self-Tapping Screw ST4.2x9.5	6
22	Break Spring Cover Plate	1
23	Tightener Screw	1
24	Tension Block	1
25	Tension Gear	1
26	Chain Guide Block	1
27	Dust Shield	1
28	Clutch Cover	1



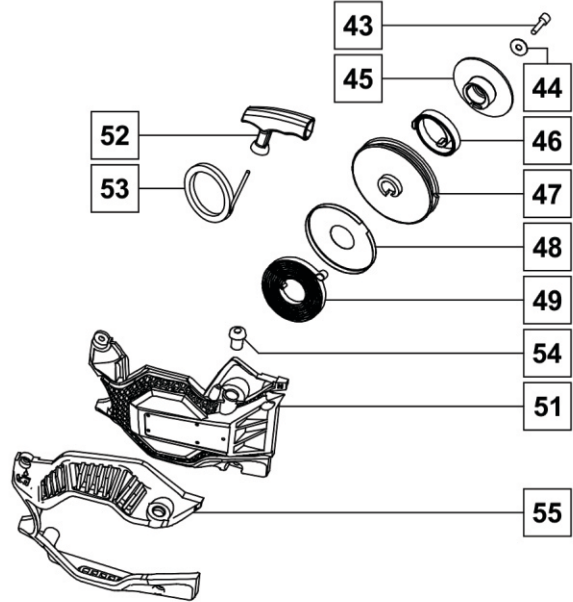


**SPARE PARTS / STARTING MECHANISM**

**STARTER ASSEMBLY**

Part Number: 20085786

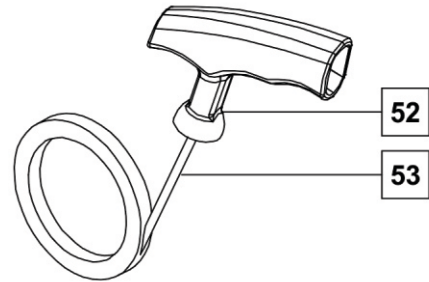
No.	Description	Qty
43	Self-Tapping Screw ST4.8x14	1
44	Plate Washer 5	1
45	Easy Start-Coil Spring Cover	1
46	Easy Start-Coil Spring	1
47	Start Plate	1
48	Easily Actuated Coil Spring Cover	1
49	Easily Actuated Coil Spring	1
51	Starter Housing	1
52	Starter Handle	1
53	Starter Pull Cord	1
54	Pull Cord Sheath	1
55	Starter Cover Liner	1



**STARTER GRIP AND ROPE ASSEMBLY**

Part Number: 68821805

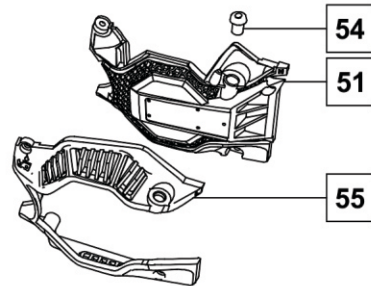
No.	Description	Qty
52	Starter Handle	1
53	Starter Pull Cord	1



**STARTER COVER ASSEMBLY**

Part Number: 68821804

No.	Description	Qty
51	Starter Housing	1
54	Pull Cord Sheath	1
55	Starter Cover Liner	1
23	Needle Bearing 11x15x12.5	1



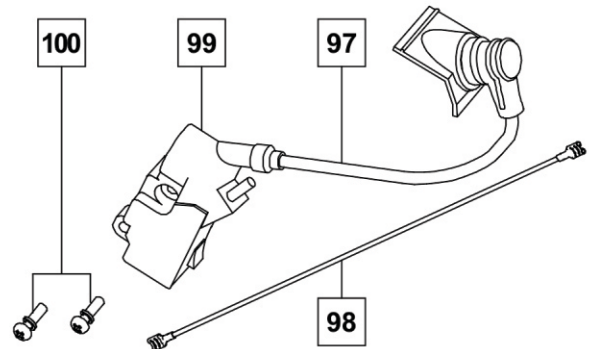


**SPARE PARTS / STARTING MECHANISM**

**IGNITION ASSEMBLY**

Part Number: 68821803

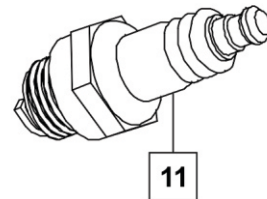
No.	Description	Qty
97	Igniter Cap	1
98	Extinction Conductor	1
99	Igniter	1
100	Screw M5×20	2



**SPARK PLUG**

Part Number: 20050466

No.	Description	Qty
11	Spark Plug	1

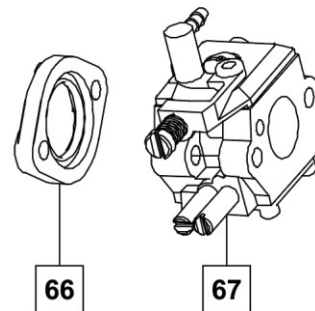


**SPARE PARTS / CARBURETOR**

**CARBURETOR ASSEMBLY**

Part Number: 68821806

No.	Description	Qty
67	Carburetor	1
66	Air Intake Flange	1

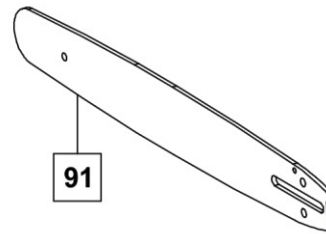




**SPARE PARTS / BAR AND CHAIN**

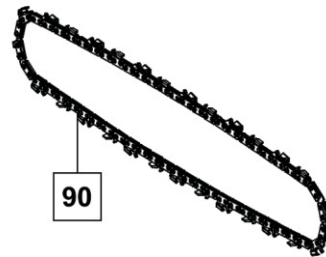
**18-INCH GUIDE BAR**  
Part Number: 30001426

No.	Description	Qty
91	Guide Bar 18 Inch	1



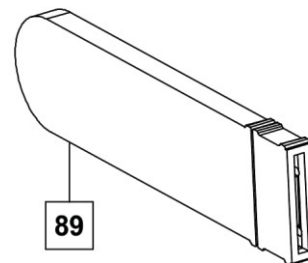
**18-INCH SAW CHAIN**  
Part Number: 30001581

No.	Description	Qty
90	Saw Chain 18 Inch	1



**18-INCH BAR AND CHAIN COVER**  
Part Number: 30001170

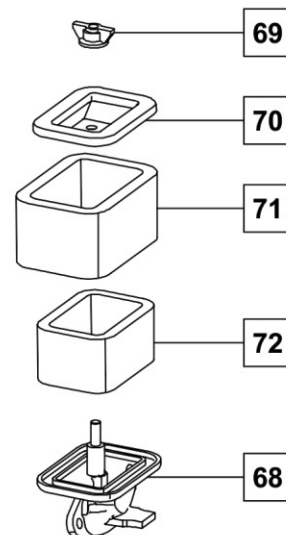
No.	Description	Qty
89	Guide Sleeve 18 Inch	1



**SPARE PARTS / FILTER AND ACCESSORIES**

**AIR FILTER ASSEMBLY**  
Part Number: 68821809

No.	Description	Qty
68	Air Intake Socket	1
69	Air Filter Lock Nut	1
70	Air Filter Cover	1
71	Air Cleaner Foam	1
72	Air Filter	1



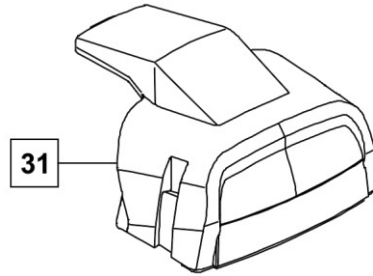


**SPARE PARTS / FILTER AND ACCESSORIES**

**AIR FILTER COVER**

Part Number: 20066268

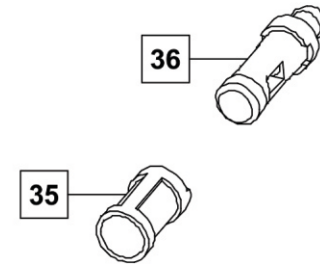
No.	Description	Qty
31	Air Filter Cover	1



**OIL FILTER ASSEMBLY**

Part Number: 68821808

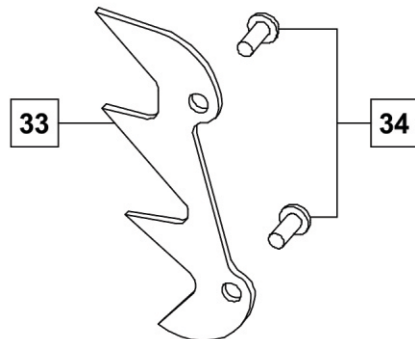
No.	Description	Qty
35	Oil Filter Screen	1
36	Oil Filter	1



**SPIKE BUMPER ASSEMBLY**

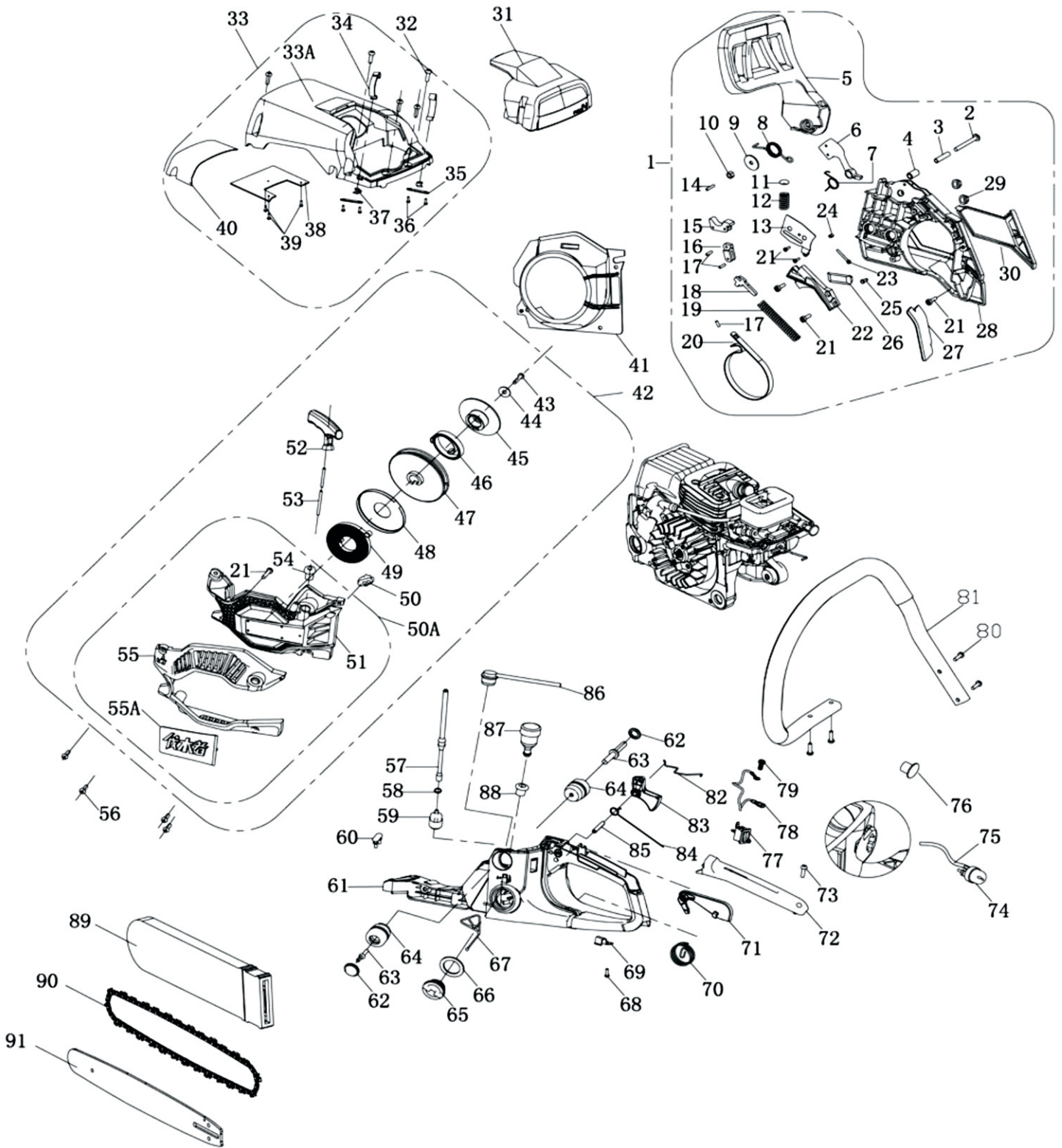
Part Number: 68821807

No.	Description	Qty
33	Bumper Spikes	1
34	Screw M5x10	2





ASSEMBLY PARTS LIST





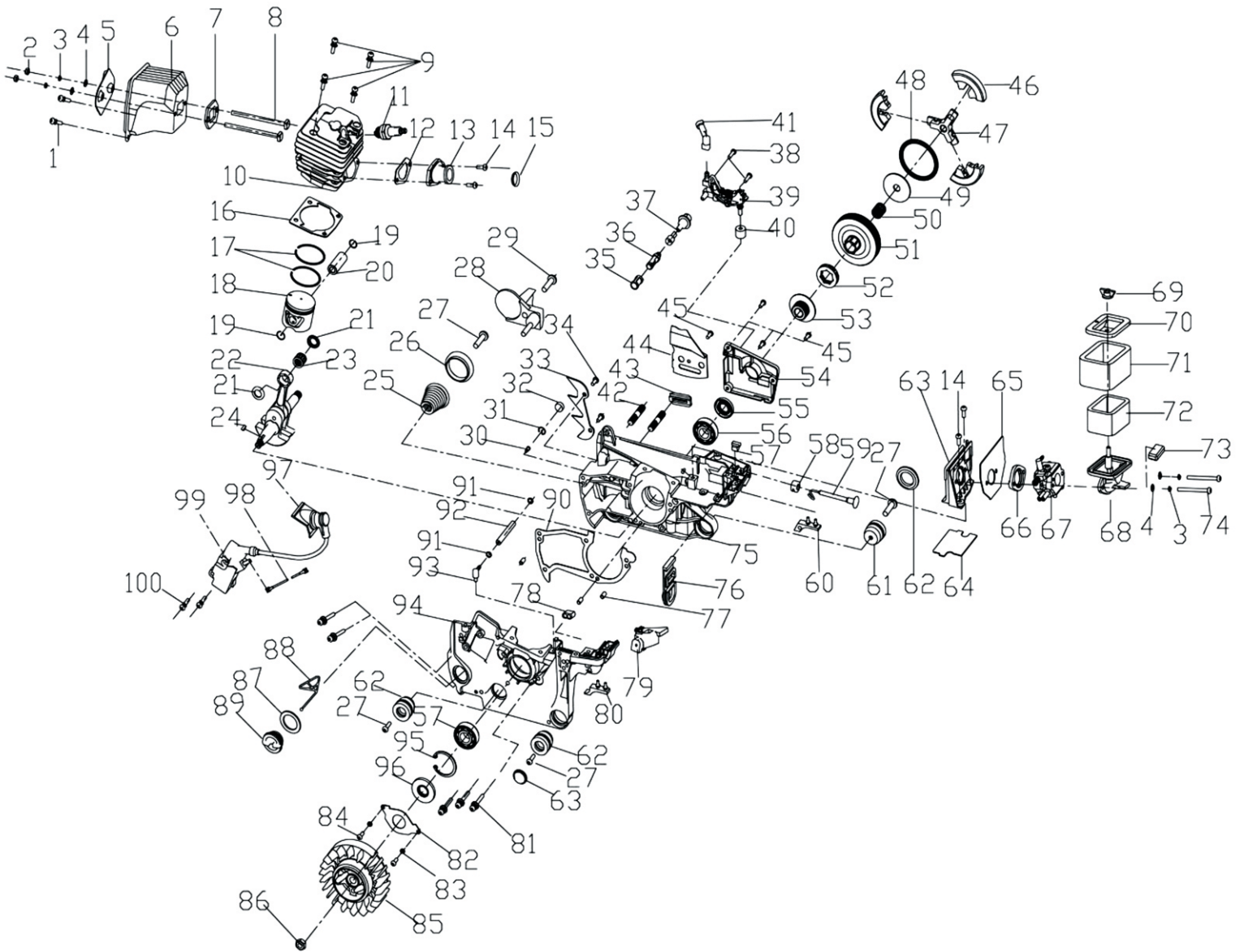
**ASSEMBLY PARTS LIST**

No.	Description	Qty
1	Clutch Cover Assembly	1
2	Screw M5x40	1
3	Pin Gland 5x6.3x30	1
4	Heavy Brock Gland 6.3x9x15	1
5	Front Damper	1
6	Heavy Brock	1
7	Heavy Brock Spring	1
8	Brake Torsion Rod Spring	1
9	Washer 5.2x20x1.2	1
10	Lock- Nut M5	1
11	Spring Base	1
12	Front Guard Spring	1
13	Tensioner Cover Plate	1
14	Pin Φ3x14	1
15	Main Level	1
16	Secondary Pull-Rod	1
17	Pin 3x9	3
18	Break Control Rod	1
19	Brake Spring	1
20	Break Strap	1
21	Self-Tapping Screw ST4.2x9.5	6
22	Break Spring Cover Plate	1
23	Tightener Screw	1
24	Tension Block	1
25	Tension Gear	1
26	Chain Guide Block	1
27	Dust Shield	1
28	Clutch Cover	1
29	Nut M8	2
30	Right Cover Label	1
31	Air Filter Cover	1
32	Screw M5x16	5
33	Upper Cover Part	1
33A	Upper Cover	1
34	Clip	2
35	Cards And Pressure Plates	2
36	Self-Tapping Screw ST2.9x6.5	4
37	Clip Fixing Plate	2
38	Top Cover Air Guide Sheet	1
39	Self-Tapping Screw ST3.5x6	3
40	Aluminum Septum / Cylinder Shield	1
41	Flow Guiding Cover	1
42	Starter Assembly	1
43	Self-Tapping Screw ST4.8x14	1
44	Plate Washer 5	1
45	Easy Start-Coil Spring Cover	1
46	Easy Start-Coil Spring	1

No.	Description	Qty
47	Start Plate	1
48	Easily Actuated Coil Spring Cover	1
49	Easily Actuated Coil Spring	1
50	Sheathing LH	1
50A	Starter Housing Assembly	1
51	Starter Housing	1
52	Starter Handle	1
53	Starter Pull Cord	1
54	Pull Cord Sheath	1
55	Starter Cover Liner	1
55A	Label	1
56	Screw M5x18	4
57	Fuel Tube	1
58	Circlip	1
59	Fuel Filter	1
60	Shock Rubber	1
61	Base	1
62	Dust Cover	2
63	Rear Handle Fixing Screw	2
64	Shock Rubber Gland	1
65	Oil Cover	2
66	Packing Washing 23x34x1.7	1
67	Anti-Drop Plate	1
68	Self-Tapping Screw ST4x5	1
69	Fixed Leaf	1
70	Sleeve Spring	1
71	Throttle Trigger Lock-Out	1
72	Rear Handle Cover	1
73	Self-Tapping Screw ST4.8x14	1
74	Primer Bulb	1
75	Pump Tube 2.5x5x155	1
76	Cover Buckle	1
77	Switch	1
78	Ground Lead	1
79	Screw M5×10	1
80	Self-Tapping Screw ST5x16	4
81	Front Handle	1
82	Throttle Rod	1
83	Throttle Trigger	1
84	Throttle Trigger Spring	1
85	Pin Φ6x24	1
86	Oil Nozzle	1
87	Balancer	1
88	Balancer Seat	1
89	Guide Sleeve 18 Inch	1
90	Saw Chain 18 Inch	1
91	Guide Bar 18 Inch	1



**ASSEMBLY PARTS LIST**



**ASSEMBLY PARTS LIST**

No.	Description	Qty
1	Clutch Cover Assembly	1
2	Screw M5x40	1
3	Pin Gland 5x6.3x30	1
4	Heavy Brock Gland 6.3x9x15	1
5	Front Damper	1
6	Heavy Brock	1
7	Heavy Brock Spring	1
8	Brake Torsion Rod Spring	1
9	Washer 5.2x20x1.2	1
10	Lock- Nut M5	1
11	Spring Base	1
12	Front Guard Spring	1
13	Tensioner Cover Plate	1
14	Pin $\Phi$ 3x14	1
15	Main Level	1
16	Secondary Pull-Rod	1
17	Pin 3x9	3
18	Break Control Rod	1
19	Brake Spring	1
20	Break Strap	1
21	Self-Tapping Screw ST4.2x9.5	6
22	Break Spring Cover Plate	1
23	Tightener Screw	1
24	Tension Block	1
25	Tension Gear	1
26	Chain Guide Block	1
27	Dust Shield	1
28	Clutch Cover	1
29	Nut M8	2
30	Right Cover Label	1
31	Air Filter Cover	1
32	Screw M5x16	5
33	Upper Cover Part	1
33A	Upper Cover	1
34	Clip	2
35	Cards And Pressure Plates	2
36	Self-Tapping Screw ST2.9x6.5	4
37	Clip Fixing Plate	2
38	Top Cover Air Guide Sheet	1
39	Self-Tapping Screw ST3.5x6	3

No.	Description	Qty
40	Aluminum Septum / Cylinder Shield	1
41	Flow Guiding Cover	1
42	Starter Assembly	1
43	Self-Tapping Screw ST4.8x14	1
44	Plate Washer 5	1
45	Easy Start-Coil Spring Cover	1
46	Easy Start-Coil Spring	1
47	Start Plate	1
48	Easily Actuated Coil Spring Cover	1
49	Easily Actuated Coil Spring	1
50	Sheathing LH	1
50A	Starter Housing Assembly	1
51	Starter Housing	1
52	Starter Handle	1
53	Starter Pull Cord	1
54	Pull Cord Sheath	1
55	Starter Cover Liner	1
55A	Label	1
56	Screw M5x18	4
57	Fuel Tube	1
58	Circlip	1
59	Fuel Filter	1
60	Shock Rubber	1
61	Base	1
62	Dust Cover	2
63	Rear Handle Fixing Screw	2
64	Shock Rubber Gland	1
65	Fuel Cover	1
66	Packing Washing 23x34x1.7	1
67	Anti-Drop Plate	1
68	Self-Tapping Screw ST4x5	1
69	Fixed Leaf	1
70	Sleeve Spring	1
71	Throttle Trigger Lock-Out	1
72	Rear Handle Cover	1
73	Self-Tapping Screw ST4.8x14	1
74	Primer Bulb	1
75	Pump Tube 2.5x5x155	1
76	Cover Buckle	1
77	Switch	1

**ASSEMBLY PARTS LIST**

<b>No.</b>	<b>Description</b>	<b>Qty</b>
78	Ground Lead	1
79	Screw M5×10	1
80	Self-Tapping Screw ST5x16	4
81	Front Handle	1
82	Throttle Rod	1
83	Throttle Trigger	1
84	Throttle Trigger Spring	1

<b>No.</b>	<b>Description</b>	<b>Qty</b>
85	Pin $\Phi$ 6x24	1
86	Oil Nozzle	1
87	Balancer	1
88	Balancer Seat	1
89	Guide Sleeve 18 Inch	1
90	Saw Chain 18 Inch	1
91	Guide Bar 18 Inch	1

**ASSEMBLY PARTS LIST**

<b>No.</b>	<b>Description</b>	<b>Qty</b>
79	Idle Adjusting Guide Set	1
80	Left Shock Block	1
81	Screw M5×25	5
82	Oil Seal Damper	1
83	Washer 4	2
84	Screw M4×8	2
85	Flywheel	1
86	Nut M8×1	1
87	Packing Washing 20×30×2	1
88	Anti-Drop Plate	1
89	Oil Cover	1

<b>No.</b>	<b>Description</b>	<b>Qty</b>
90	Case Body Sealing Plate	1
91	Circlip	2
92	Suction Tube 2.5×7×105	1
93	Suction Jet	1
94	Left Case Body	1
95	Ring 35	1
96	Oil Seal 15×35×4.5	1
97	Igniter Cap	1
98	Extinction Conductor	1
99	Igniter	1
100	Screw M5×20	2

PRORUN regularly improves our products, and you may find slight differences between your machine and descriptions contained within this parts list. Modifications can be made to the machine without notice and without the obligation to update the operator's manuals, provided that the essential safety and functional characteristic remain unaltered. Contact PRORUN Customer Service with any questions and current specifications.