

# PRORUN®

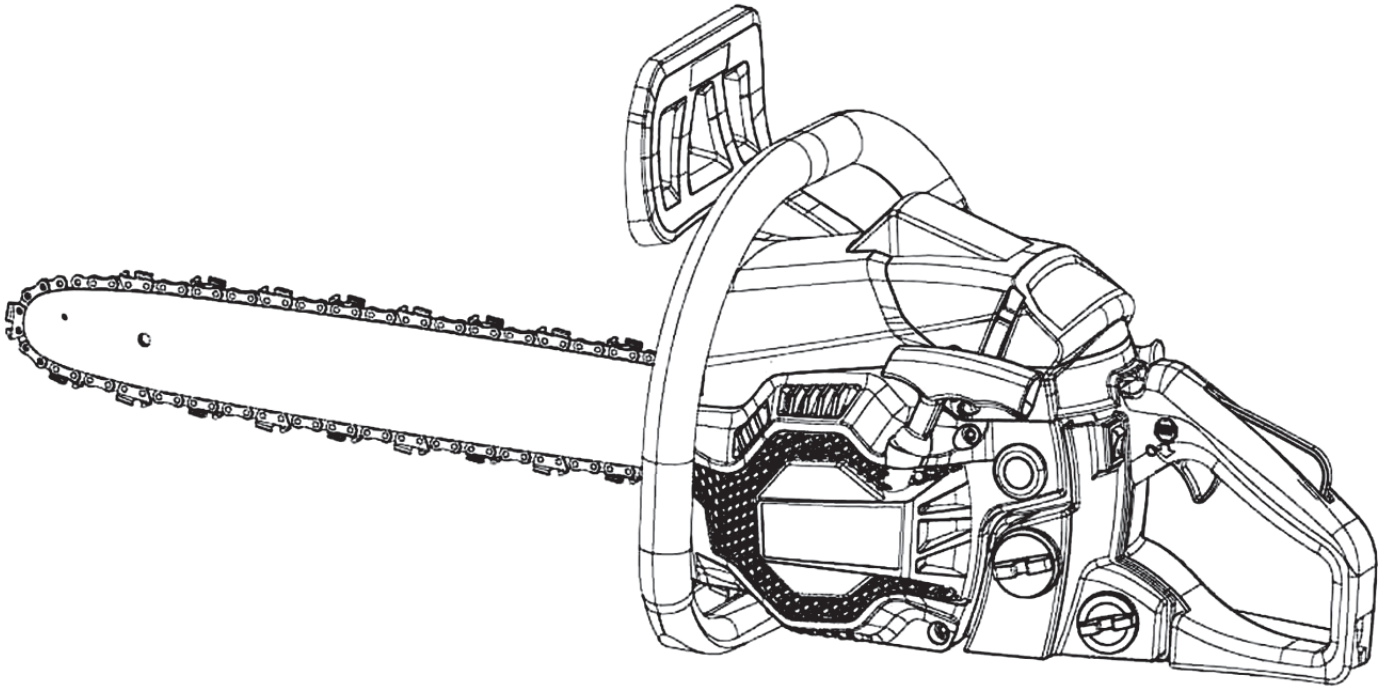
**POWER and RELIABILITY™**

**GAS**

## PARTS LIST

### CHAINSAW

MODEL: PCS214



Everything PRORUN

Please let us know what you think.  
To leave a review and see our full line of products, visit:

**proruntech.com** ★ ★ ★ ★ ★

1-844-905-0882, [info@proruntech.com](mailto:info@proruntech.com)

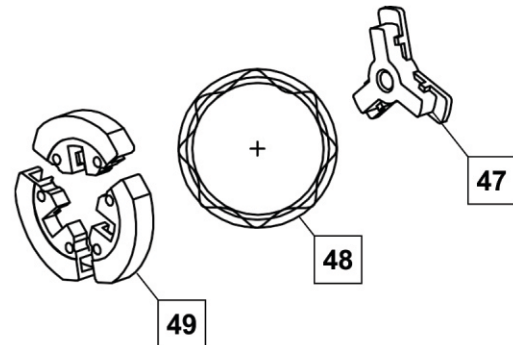
Version: B - Issue Date: 2023/03/15

**SPARE PARTS / ENGINE**

**CLUTCH ASSEMBLY**

Part Number: 20056591

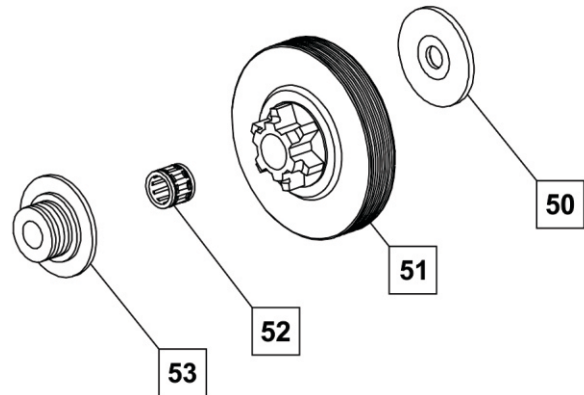
No.	Description	Qty
47	Retainer	1
48	Clutch Extension Spring	1
49	Shoe Block	3



**SPROCKET ASSEMBLY**

Part Number: 68821401

No.	Description	Qty
50	Clutch Adjusting Washer	1
51	Clutch Shell	1
52	Needle Bearing 10×13×13	1
53	Worm	1

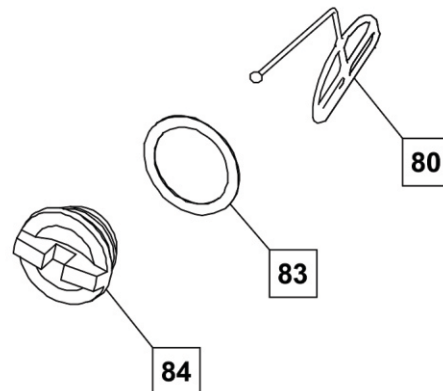


**SPARE PARTS / CHASSIS AND ENCLOSURE**

**FUEL CAP ASSEMBLY**

Part Number: 20085765

No.	Description	Qty
84	Oil Port Cap	1
83	O-Type Rubber Seal 19x3.5	1
80	Anti-Drop Plate	1

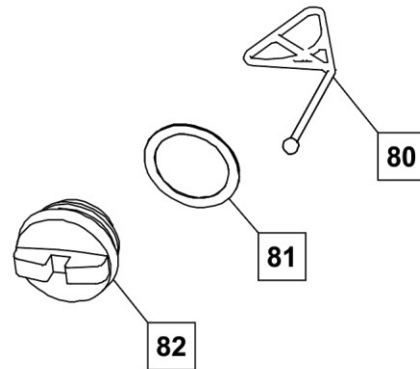


**SPARE PARTS / CHASSIS AND ENCLOSURE**

**OIL CAP ASSEMBLY**

Part Number: 20073421

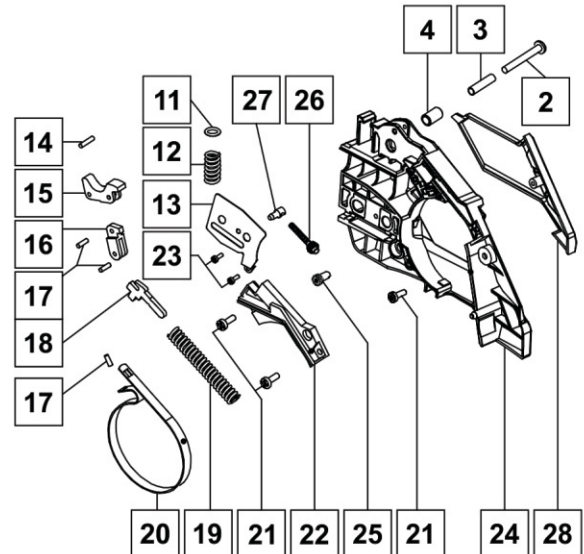
No.	Description	Qty
82	Fuel Port Cap	1
81	O-Type Rubber Seals 24.7x34x1.5	1
80	Anti-Drop Plate	1



**CHAIN COVER ASSEMBLY**

Part Number: 20085235

No.	Description	Qty
2	Screw M5x40	1
3	Baffle Casing	1
4	Heavy Hammer Casing	1
11	Spring Seat	1
12	Front Bezel Spring	1
13	Tensioner Cover Plate	1
14	Pin 3x14	1
15	Main Lever	1
16	Secondary Pull-Rod	1
17	Pin 3x9	3
18	Brake Control Rod	1
19	Brake Springs	1
20	Brake Strap	1
21	Self-Tapping Screw ST4.2x10	3
22	Brake Spring Cover Plate	1
23	Self-Tapping Screw ST4.2x10	2
24	Clutch Cover	1
25	Tensioning Gears	1
26	Tensioner Screws	1
27	Tensioning Block	1
28	Nameplate	1



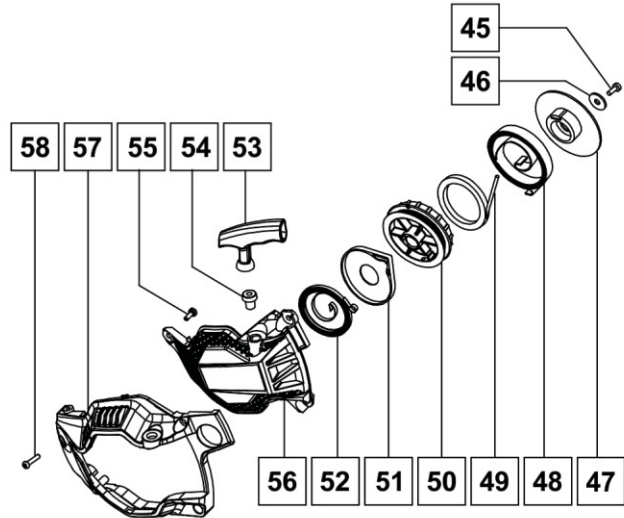


**SPARE PARTS / STARTING MECHANISM**

**STARTER ASSEMBLY**

Part Number: 68821403

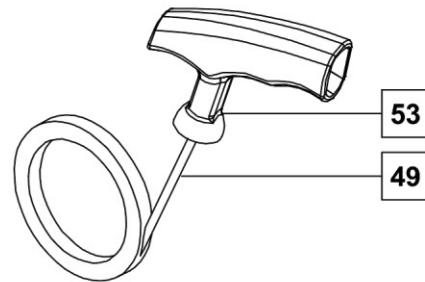
No.	Description	Qty
45	Self-Tapping Screw ST4.8x14	1
46	Large Washer	1
47	Starting Ratchet Wheel	1
48	Coil Spring	1
49	Starter Pull Cord	1
50	Start Plate	1
51	Starter Spring Cover	1
52	Starter Coil Spring	1
53	Starter Handle	1
54	Pull Cord Sheath	1
55	Self-Tapping Screw ST4.2x12	1
56	Starter Cover Lining	1
57	Starter Cover Housing	1
58	Self-Tapping Screw ST4.8x19	1



**STARTER GRIP AND ROPE ASSEMBLY**

Part Number: 68821404

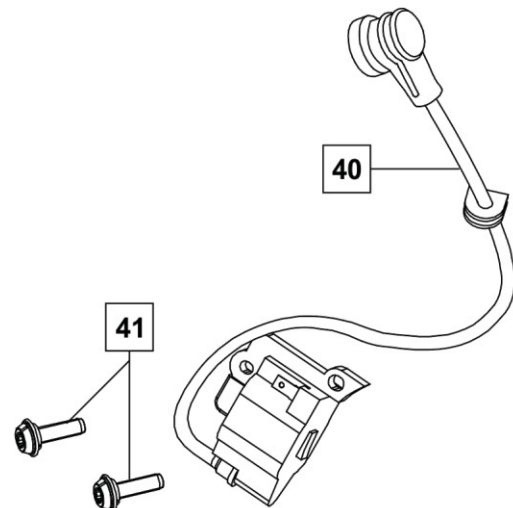
No.	Description	Qty
49	Starter Pull Cord	1
53	Starter Handle	1



**IGNITION ASSEMBLY**

Part Number: 68821402

No.	Description	Qty
40	Igniter	1
41	Screw M4×14	2



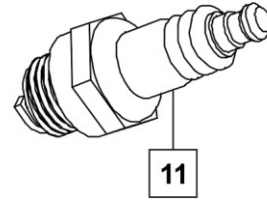


**SPARE PARTS / STARTING MECHANISM**

**SPARK PLUG**

Part Number: 20050466

No.	Description	Qty
11	Spark Plug	1

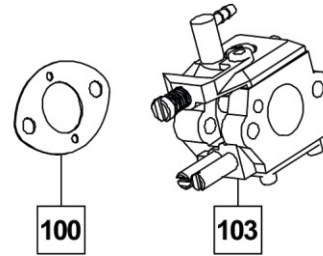


**SPARE PARTS / CARBURETOR**

**CARBURETOR ASSEMBLY**

Part Number: 68821405

No.	Description	Qty
103	Carburetor	1
100	Carburetor Gasket	1

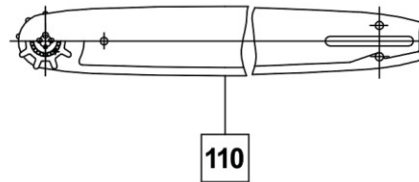


**SPARE PARTS / BAR AND CHAIN**

**14-INCH GUIDE BAR**

Part Number: 30001386

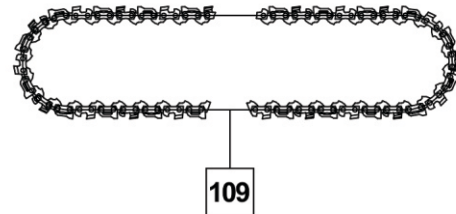
No.	Description	Qty
110	14 Inch Guide Bar	1



**14-INCH SAW CHAIN**

Part Number: 30001547

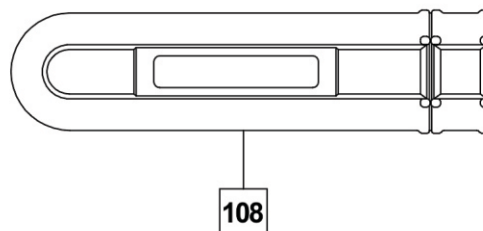
No.	Description	Qty
109	14 Inch Saw Chain	1



**14-INCH BAR AND CHAIN COVER**

Part Number: 30001135

No.	Description	Qty
108	14 Inch Bar And Chain Cover	1



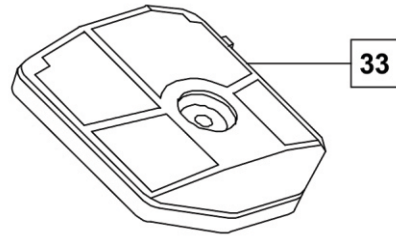


**SPARE PARTS / FILTER AND ACCESSORIES**

**AIR FILTER**

Part Number: 20056844

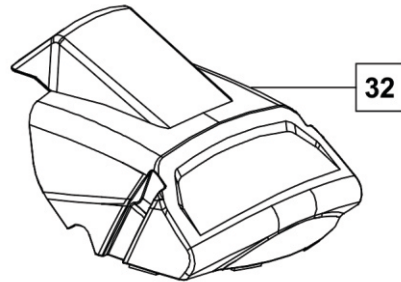
No.	Description	Qty
33	Air Filter	1



**AIR FILTER COVER**

Part Number: 68821407

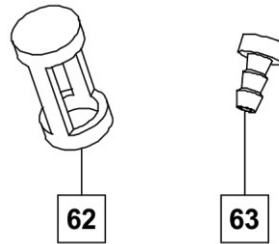
No.	Description	Qty
32	Air Filter Cover	1



**OIL FILTER**

Part Number: 68821408

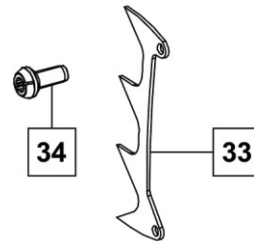
No.	Description	Qty
62	Oil Filter Screen	1
63	Oil Spray Nozzle	1



**SPIKED BUMPER ASSEMBLY**

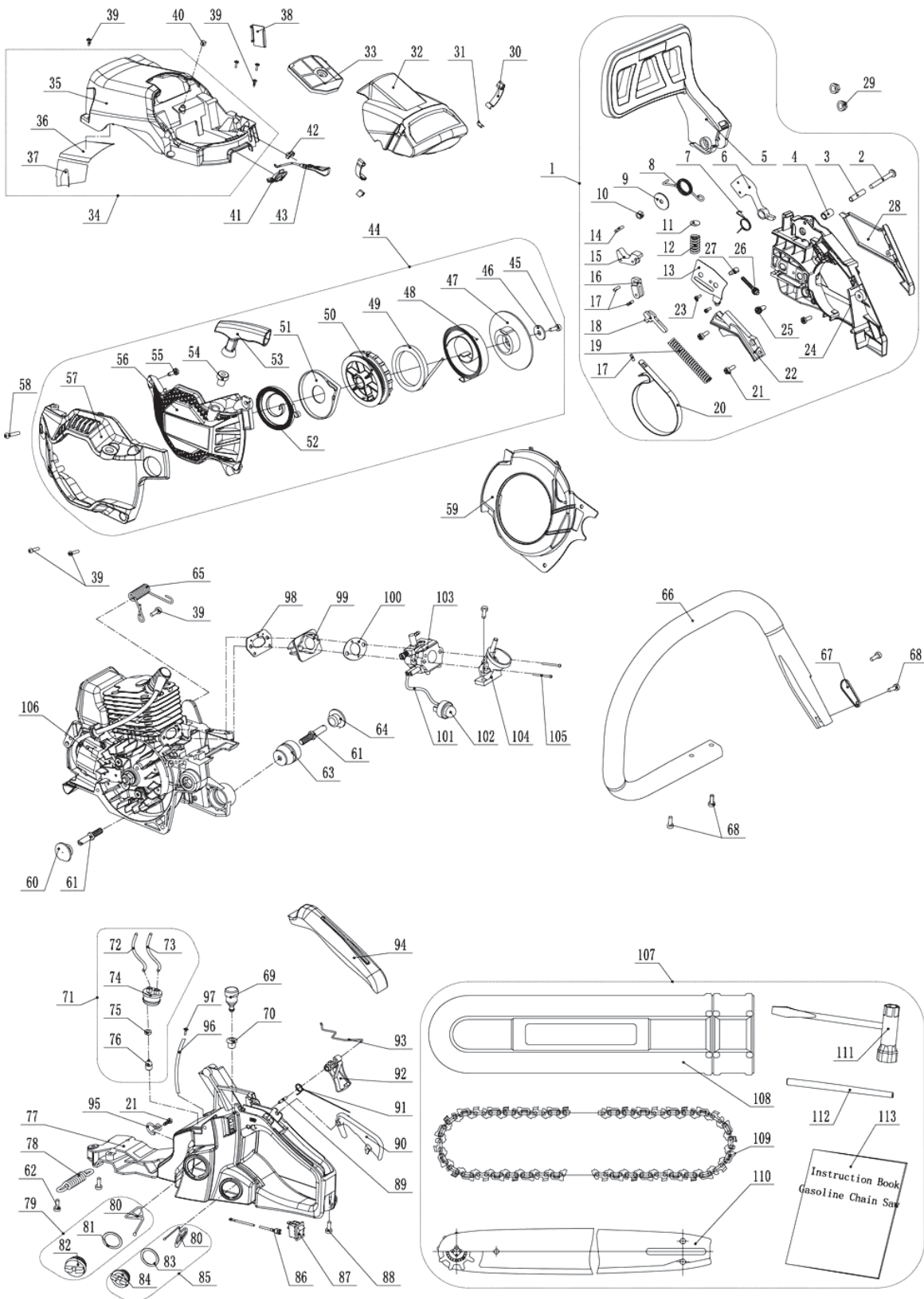
Part Number: 68821406

No.	Description	Qty
33	Spiked Bumper	1
34	Screw M5×12	1





ASSEMBLY PARTS LIST



**ASSEMBLY PARTS LIST**

No.	Description	Qty
1	Right Cap Assembly	1
2	Screw M5x40	1
3	Baffle Casing	1
4	Heavy Hammer Casing	1
5	Bezel	1
6	Heavy Hammer	1
7	Heavy Hammer Torsion Spring	1
8	Brake Torsion Spring	1
9	Washers 5.2x23x1.2	1
10	Nut M5	1
11	Spring Seat	1
12	Front Bezel Spring	1
13	Tensioner Cover Plate	1
14	Pin 3x14	1
15	Main Lever	1
16	Secondary Pull-Rod	1
17	Pin 3x9	3
18	Brake Control Rod	1
19	Brake Springs	1
20	Brake Strap	1
21	Self-Tapping Screw ST4.2x10	3
22	Brake Spring Cover Plate	1
23	Self-Tapping Screw ST4.2x10	2
24	Clutch Cover	1
25	Tensioning Gears	1
26	Tensioner Screws	1
27	Tensioning Block	1
28	Nameplate	1
29	Nut M8	2
30	Buckle	2
31	Clasp Fixed Plate	2
32	Air Filter Cover	1
33	Air Filter	1
34	Upper Cover Plate Assembly	1
35	Top Cover Plate	1
36	Aluminum Partition	1
37	Aluminum Partition	1
38	Antifreeze Block	1
39	Self-Tapping Screw ST4.8x16	8

No.	Description	Qty
40	Shock Absorber	1
41	Dust Shield	1
42	Retaining Bracket	1
43	Choke Knob	1
44	Starter Assembly	1
45	Self-Tapping Screw ST4.8x14	1
46	Large Washer	1
47	Starting Ratchet Wheel	1
48	Coil Spring	1
49	Starter Pull Cord	1
50	Start Plate	1
51	Starter Spring Cover	1
52	Starter Coil Spring	1
53	Starter Handle	1
54	Pull Cord Sheath	1
55	Self-Tapping Screw ST4.2x12	1
56	Starter Cover Lining	1
57	Starter Cover Housing	1
58	Self-Tapping Screw ST4.8x19	1
59	Deflectors	1
60	Dust Cover	1
61	Stopper Block Screws	2
62	Screw M5x14	1
63	Shock Mount	1
64	Right Dust Cover	1
65	Handle Torsion Spring	1
66	Handle	1
67	Cover Plate	1
68	Self-Tapping Screw ST4.8x25	4
69	Balancer Body Assembly	1
70	Balancer Holder	1
71	Oil Tank Base Assembly	1
72	Fuel Lines	1
73	Return Tube	1
74	Fuel Pipe Base	1
75	Balancing Weights	1
76	Fuel Filter	1
77	Base	1
78	Base Pull Spring	1



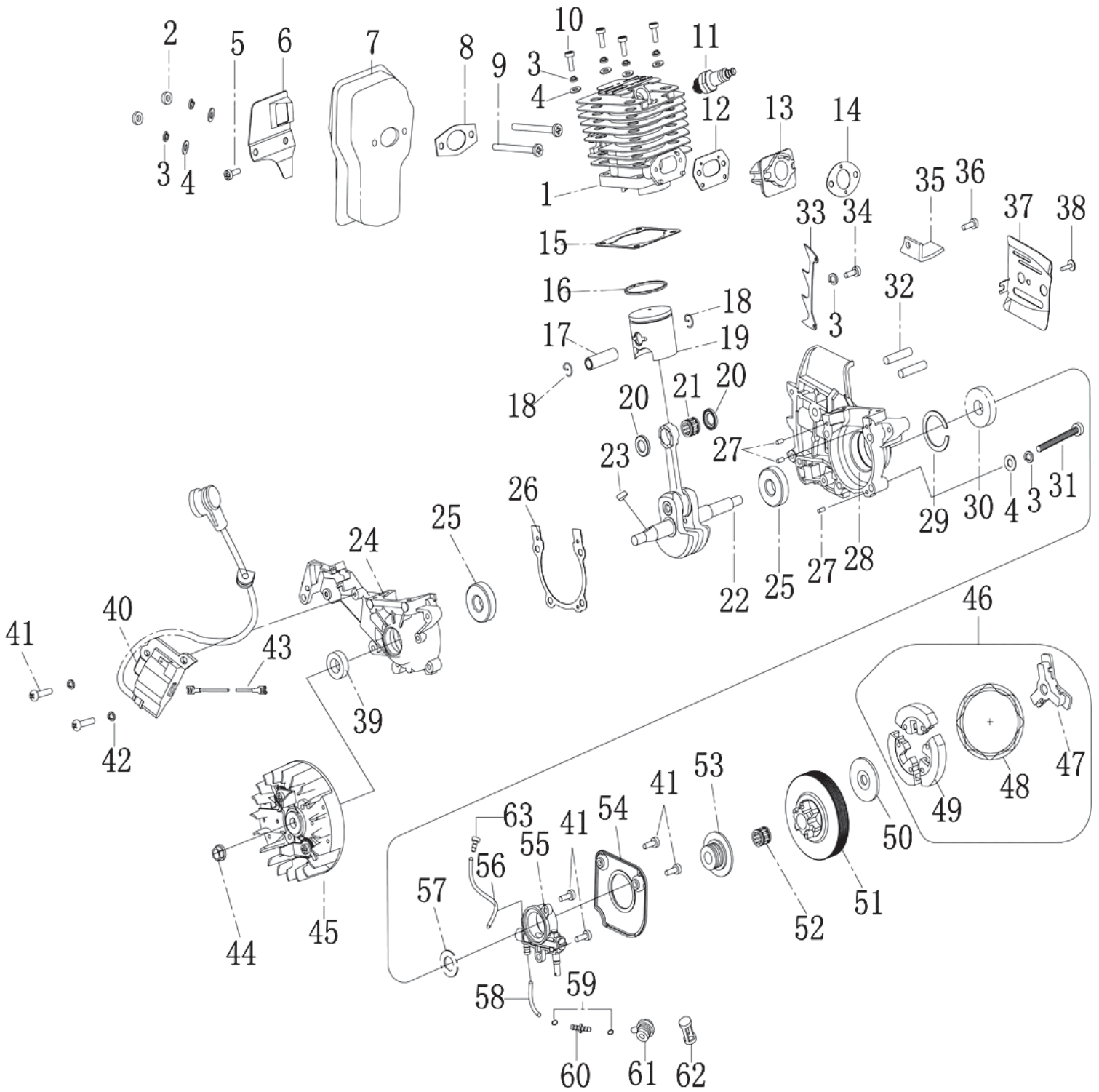
**ASSEMBLY PARTS LIST**

No.	Description	Qty
79	Fuel Port Cap Assembly	1
80	Anti-Drop Plate	1
81	O-Type Rubber Seals 24.7x34x1.5	1
82	Fuel Port Cap	1
83	O-Type Rubber Seal 19x3.5	1
84	Oil Port Cap	1
85	Oil Port Cap Parts	1
86	Ground Wire	1
87	Flame-Out Switch	1
88	Self-Tapping Screw ST4.8x25	1
89	Pin 5x25	1
90	Trigger Control Arm	1
91	Trigger Torsion Spring	1
92	Trigger	1
93	Throttle Rod	1
94	Handle Cover	1
95	Oil Nozzle Retaining Ring	1
96	Snorkel 3.5x6.5x65	1

No.	Description	Qty
97	Self-Tapping Screw ST4x14	1
98	Air Intake Gasket	1
99	Air Intake Tube	1
100	Carburetor Gasket	1
101	Pump Tubing (2.5x5x175)	1
102	Primer Pump	1
103	Carburetor	1
104	Air Intake Socket	1
105	Screw	2
106	Engine Base	
107	Accessory Tool	1
108	14 Inch Bar And Chain Cover	1
109	14 Inch Saw Chain	1
110	14 Inch Guide Bar	1
111	Plug Wrench	1
112	File	1
113	Operator's Manual	1



**ASSEMBLY PARTS LIST**



**ASSEMBLY PARTS LIST**

No.	Description	Qty
1	Cylinder Body	1
2	Nut M5	3
3	Lock Washer 5	2
4	Flat Washer 5	2
5	Screw M5×14	1
6	Muffler Cover Plate	1
7	Muffler	1
8	Muffler Sealing Gasket	1
9	Muffler Connecting Screw	2
10	Screw M5×20	4
11	Spark Plug	1
12	Gasket	1
13	Air Intake Tube	1
14	Gasket	1
15	Gasket	1
16	Piston Ring	1
17	Piston Pin	1
18	Piston Pin Circlip	2
19	Piston	1
20	Needle Bearing Ring	2
21	Needle Bearing	1
22	Crank Shaft	1
23	Semicircular Key	1
24	Crankcase LH	1
25	Bearing 6201 Grade D	2
26	Gasket	1
27	Pin	3
28	Crankcase RH	1
29	Shield Ring 32	1
30	Oil Seal 12×32×5.5	1
31	Screw M5x30	4
32	Double-Screw	2

No.	Description	Qty
33	Spiked Bumper	1
34	Screw M5×12	1
35	Chain Catcher	1
36	Chain Catcher Screw	1
37	Damper	1
38	Screw M4×10	1
39	Oil Seal 12×22×7	1
40	Igniter	1
41	Screw M4×14	6
42	Washer 4	2
43	Extinction Conductor	1
44	Nut M8×1	1
45	Flywheel Assembly	1
46	Clutch Assembly	1
47	Retainer	1
48	Clutch Extension Spring	1
49	Shoe Block	3
50	Clutch Adjusting Washer	1
51	Clutch Shell	1
52	Needle Bearing 10×13×13	1
53	Worm	1
54	Cover Plate	1
55	Oil Pump	1
56	Oil Outgoing Tube	1
57	Worm Washer 10x18x1	1
58	Oil Ingoing Tube	1
59	Oil Tube Clip	2
60	Oil Tube Tie-In	1
61	Nozzle	1
62	Oil Filter Screen	1
63	Oil Spray Nozzle	1

PRORUN regularly improves our products, and you may find slight differences between your machine and descriptions contained within this parts list. Modifications can be made to the machine without notice and without the obligation to update the operator's manuals, provided that the essential safety and functional characteristic remain unaltered. Contact PRORUN Customer Service with any questions and current specifications.