

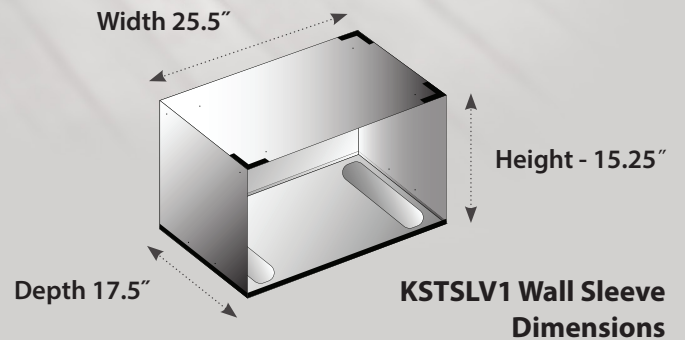


Through-The-Wall Air Conditioners

TTW Wall Sleeve (Optional)

Wall sleeves simplify installing an air conditioner in your wall so that you don't have to balance the heavy window unit during installation.

Wall Sleeve Model: KSTSLV1



Standard Features



Sleep Mode



Auto Restart Function



Timer



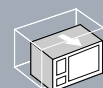
Healthy Filters



Self Evaporative System



Follow Me Remote



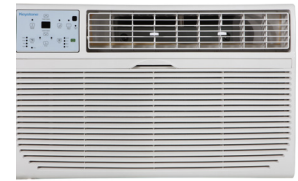
Sliding Chassis

Optional Feature



Auxiliary Electric Heater

Through-The-Wall Air Conditioners (Cool Only)



| Model No. | KSTAT08-1D | KSTAT10-1D | KSTAT10-2D | KSTAT12-1D | KSTAT12-2D | KSTAT14-2D |
|-----------------------------------|--|--|--|--|--|--|
| Power Supply | 115V / 60Hz | 115V / 60Hz | 230V / 60Hz | 115V / 60Hz | 230V / 60Hz | 230V / 60Hz |
| Cooling Capacity | 8,000 BTU/h | 10,000 BTU/h | 10,000 BTU/h | 12,000 BTU/h | 12,000 BTU/h | 14,000 BTU/h |
| Heating Pump | - | - | - | - | - | - |
| Power Input - Cooling | 754 W | 943 W | 943 W | 1142 W | 1142 W | 1515 W |
| Power Input - Heating | - | - | - | - | - | - |
| Cooling Amps | 7.0 A | 8.3 A | 4.5 A | 10.0 A | 5.2 A | 6.9 A |
| EER | 10.6 | 10.6 | 10.6 | 10.5 | 10.5 | 9.3 |
| Energy Star | Yes | Yes | Yes | Yes | Yes | No |
| Indoor Noise Level dBA | 56.8 / 51.8 | 57.4 / 53.1 | 58.4 / 54.1 | 60.5 / 56.5 | 60.5 / 56.5 | 61.3 |
| Air Flow Volume - CFM | 270 | 269 | 275 | 286 | 286 | 296 |
| Cooling Area | 350 sq. ft. | 450 sq. ft. | 450 sq. ft. | 550 sq. ft. | 550 sq. ft. | 700 sq. ft. |
| Cooling Speeds | 3 | 3 | 3 | 3 | 3 | 3 |
| Fan Speeds | 3 | 3 | 3 | 3 | 3 | 3 |
| Net Dimensions (in.) W x D x H | 24.2" x 20.3" x 14.5" | 24.2" x 20.3" x 14.5" | 24.2" x 20.3" x 14.5" | 24.2" x 20.3" x 14.5" | 24.2" x 20.3" x 14.5" | 24.2" x 20.3" x 14.5" |
| Net Weight | 65 lbs. | 68 lbs. | 69 lbs. | 76 lbs. | 78 lbs. | 79 lbs. |
| Included Accessories | remote control, 2 AAA batteries, mesh filter | remote control, 2 AAA batteries, mesh filter | remote control, 2 AAA batteries, mesh filter | remote control, 2 AAA batteries, mesh filter | remote control, 2 AAA batteries, mesh filter | remote control, 2 AAA batteries, mesh filter |

Through-The-Wall Air Conditioners (with Heat)

| Model No. | KSTAT08-1HD | KSTAT10-2HD | KSTAT12-2HD | KSTAT14-2HD |
|-----------------------------------|--|--|--|--|
| Power Supply | 115V / 60Hz | 230V / 60Hz | 230V / 60Hz | 230V / 60Hz |
| Cooling Capacity | 8,000 BTU/h | 10,000 BTU/h | 12,000 BTU/h | 14,000 BTU/h |
| Heating Pump | 4,200 BTU/h | 10,600 BTU/h | 10,600 BTU/h | 10,600 BTU/h |
| Power Input - Cooling | 825 W | 1020 W | 1220 W | 1515 W |
| Power Input - Heating | 1380 W | 3450 W | 3450 W | 3450 W |
| Cooling Amps | 7.8 A | 4.6 A | 5.5 A | 6.9 A |
| Heating Amps | 12 A | 15 A | 15 A | 15 A |
| EER | 9.6 | 9.6 | 9.5 | 9.3 |
| Energy Star | No | No | No | No |
| Indoor Noise Level dBA | 57 | 58 | 61.5 | 61.5 |
| Air Flow Volume - CFM | 288 | 287 | 300 | 300 |
| Cooling Area | 350 sq. ft. | 450 sq. ft. | 550 sq. ft. | 700 sq. ft. |
| Cooling Speeds | 3 | 3 | 3 | 3 |
| Fan Speeds | 3 | 3 | 3 | 3 |
| Net Dimensions (in.) W x D x H | 24.2" x 20.3" x 14.5" | 24.2" x 20.3" x 14.5" | 24.2" x 20.3" x 14.5" | 24.2" x 20.3" x 14.5" |
| Net Weight | 65 lbs. | 74 lbs. | 78 lbs. | 80 lbs. |
| Included Accessories | remote control, 2 AAA batteries, mesh filter | remote control, 2 AAA batteries, mesh filter | remote control, 2 AAA batteries, mesh filter | remote control, 2 AAA batteries, mesh filter |

Keystone Accessories



Follow Me Remote Control
(included)



KSTSLV1: Optional Wall Sleeve
(Sold Separately)