

FAQ

Q: Rear-view mirror is not powered.

A: Make sure that ACC, B+, GND are well connected, and that the filter box's fuse is not burnt out.

Q: The video displayed on the screen is overlapped by the rolling shadow of another video.

A: Make sure that the video extension interface is in good condition. If this still exists, it is recommended to use a video extension cable with a shielding layer, as shown in the following picture.



Entertainment video is not permitted when driving except for the navigation and backup camera display!

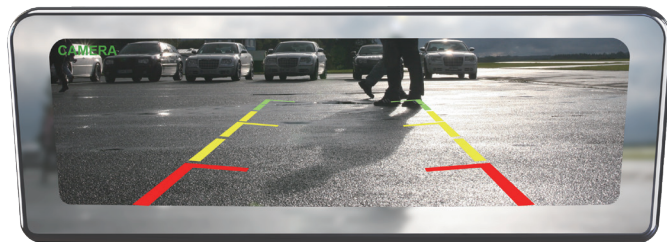
*** This manual is only for your reference.**

Serial No.: 2019SK073A4WT231026

Master Tailgaters

7.2 Inch Frameless Rear View Mirror Monitor with Full Display Screen

USER MANUAL



Model: MR-72-P1



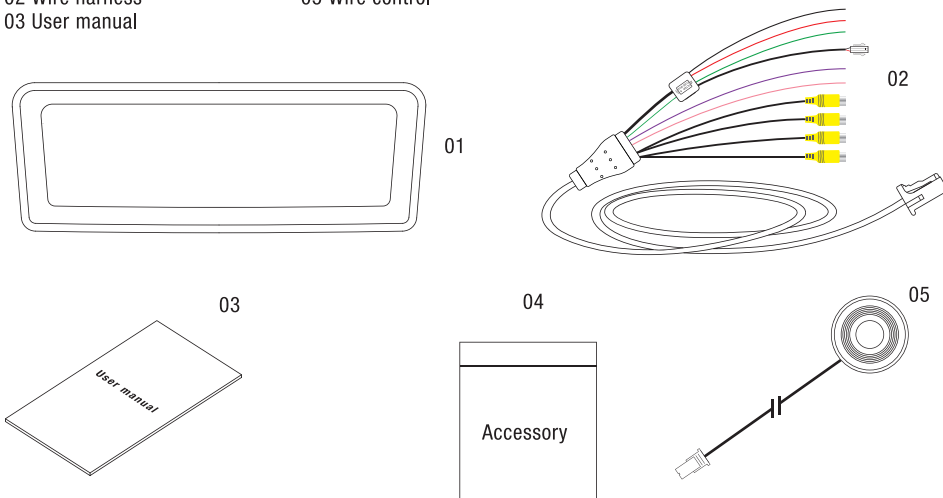
TABLE OF CONTENTS

01 CONTENTS - - - - -	1
02 FEATURES - - - - -	2
03 SPECIFICATIONS - - - - -	2
04 HOW TO INSTALL REVERSE CAMERA - - - - -	2
05 BACK UP CAMERA DISPLAY - - - - -	3
06 AUTOMATIC BRIGHTNESS ADJUSTMENT - - - - -	3
07 HOW TO INSTALL MIRROR MONITOR- - - - -	4
08 HOW TO WIRE - - - - -	6
09 TOUCH BUTTONS OPERATION - - - - -	8
10 MENU SETTING - - - - -	10
11 ADJUSTABLE GUIDE LINE - - - - -	12

CONTENTS

The package contains the following:

- | | |
|----------------------------|------------------|
| 01 Rearview mirror monitor | 04 Accessory Kit |
| 02 Wire harness | 05 Wire control |
| 03 User manual | |



For the items listed above, please check your packing contents. If any damage, please contact the distributor or the agent as soon as possible.

FEATURES

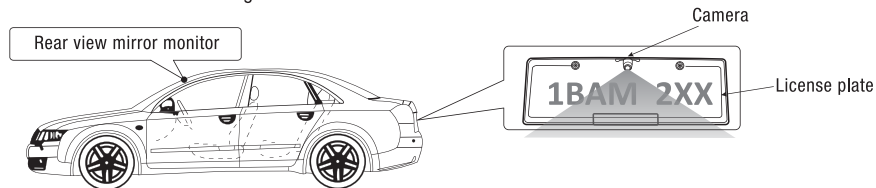
- 7.2 inch wide LCD display screen
- 4 analog video inputs
- Adjustable Back up guide lines
- Full screen
- Touch screen button
- Back-up camera display
- Automatic brightness adjustment
- Channel switch among VIDE01, VIDE02, VIDE03, VIDE04
- Trigger wires for reverse/turn left/turn right

SPECIFICATIONS

- Screen size: 7.2 inch
- Aspect resolution: 1280(H)*390(V)
- Working temperature: -20 ℃ ~+65 ℃
- Display screen: TFT-LCD
- Working voltage: DC 10V-DC 16V
- Signal system: PAL/Auto/NTSC

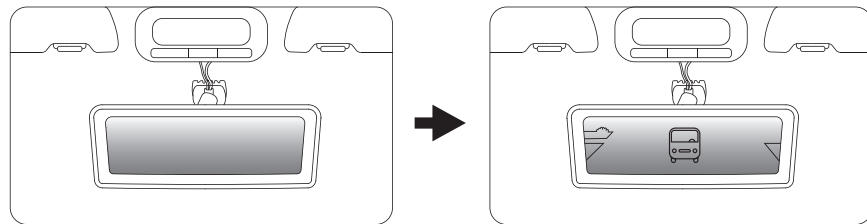
HOW TO INSTALL REVERSE CAMERA

When a camera needs to be installed at the rear of vehicle, a good position is usually at the top of the License plate where there is an under ledge.



BACK UP CAMERA DISPLAY

When the car is in reverse, the monitor will automatically display back up camera.



AUTOMATIC BRIGHTNESS ADJUSTMENT

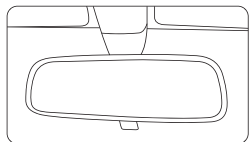
The brightness of screen varies with ambient light, thereby, to make driver get a clear and comfortable image when reversing.

WEAK LIGHT When ambient light is weak, the screen will automatically reduce the brightness and get better vision.

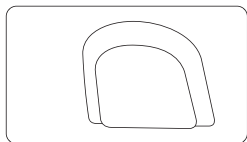
STRONG LIGHT When ambient light is strong, the screen will automatically increase the brightness and get better vision.

HOW TO INSTALL MIRROR MONITOR

Remove the original mirror



Car factory original mirror

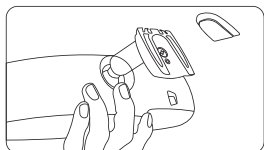


The plate on the windshield

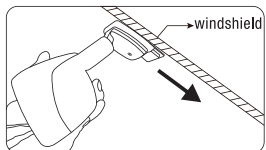
Different cars have different brackets. It depends on your vehicle maker and manufacturer. There are many methods to remove the original rear view mirror, however, please don't force the mirror off the bracket.

Master Tailgaters will not be responsible for damage caused to your car by faulty installation of the mirror.

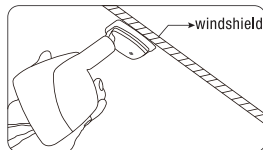
Install mirror monitor on the plate



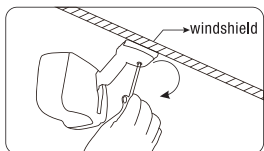
Take down your original mirror, and make the mirror monitor ready



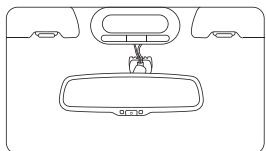
Install rear view mirror along this direction



Please make sure to install the mirror to the end of the bottom without any loose

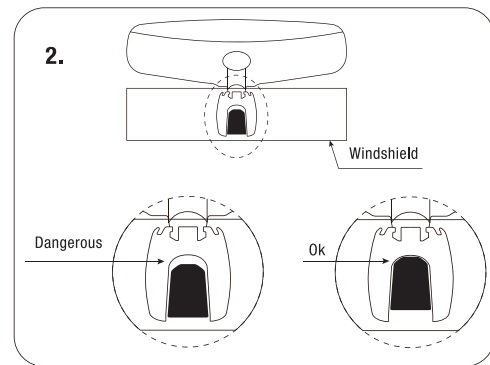
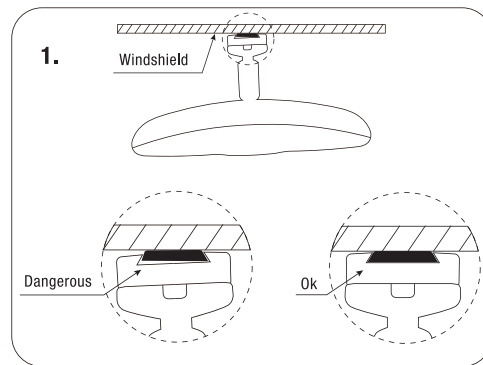


Contrarotate the fixed rear view mirror
Torque is about 0.8-1.3 N.m

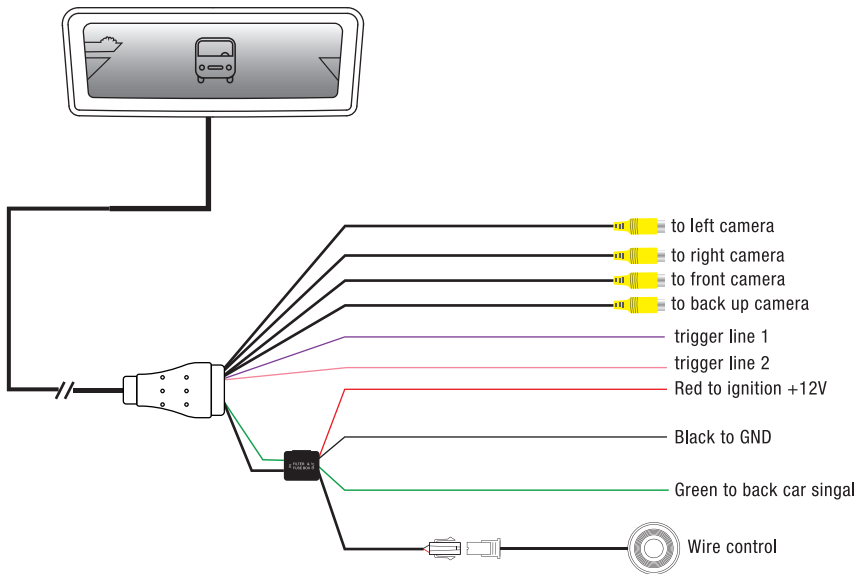


NOTE: Always use caution, DO NOT force the mount. Master Tailgaters not be responsible for broken windshields. If you are not sure how to remove or re-install the mirror seek trained, professional help.

CAUTION!



HOW TO WIRE



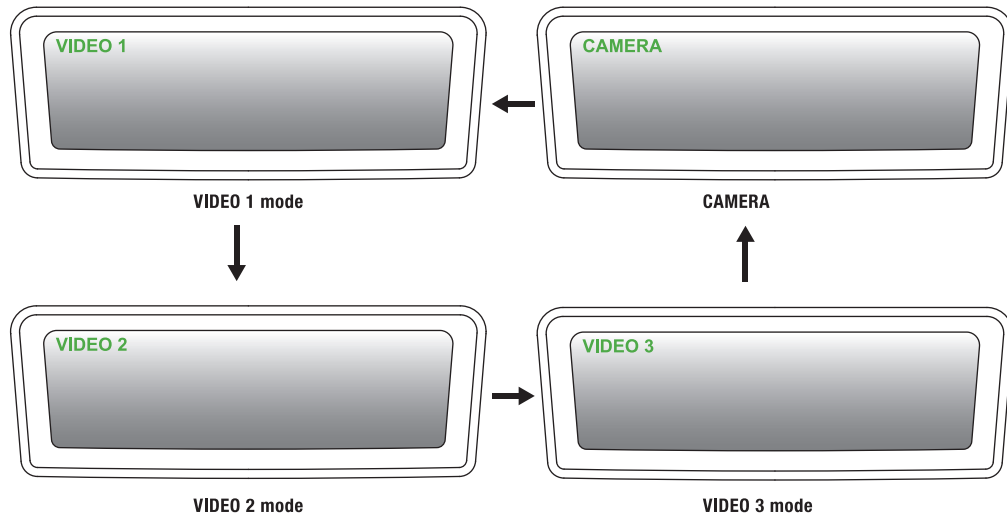
How to install wire harness, wire cover, cable cover and connector cable on the mirror?



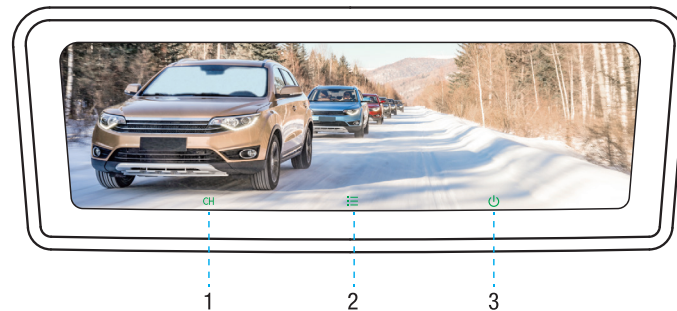
NOTE: The picture may not be in line with this type of mirror, just to demonstrate the installation method.

CHANNEL SWITCH

This mirror can be switched on the following 4 display modes through the CH key or the wire control.






TOUCH BUTTONS OPERATION



1. Non-trigger state: Switch among different video channels
Trigger state: unusable
2. Short press to enter into "menu setting" interface
In reverse mode: long press to enter guide line adjustment
3. Turn on/off screen

MENU SETTING

When the rearview mirror is in the non-triggered state, short press “” to enter into “menu setting” interface. you can switch among “PICTURE”, “SYSTEM”, “VIDEO”, “SETUP” or enter out.

Press “**SEL**” to switch among the items. “” and “” are to change the figure of each setting.



1. Non-trigger state: Switch among different video channels

2. In menu setting state: Parameter down

3. short press to enter into “menu setting” interface

In reverse mode: long press to enter guide line adjustment

4. In menu setting state: Parameter up

5. Menu setting state: Select

Note: “CH” button will not function when this mirror is only with 1 video input.

About “WIRE CTR DELAY”

This function is used with wire control switch.

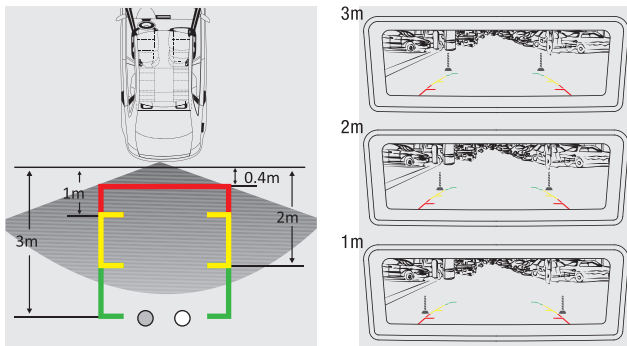
1. If “WIRE CTR DELAY” is set “0”, this function is same as the touch button “CH”.

2. If “WIRE CTR DELAY” is set as other parameters, you switch one video screen to another one by wire control switch, once the delay time is up, the screen will be automatically back to the pre-switching video screen.

ADJUSTABLE GUIDE LINE

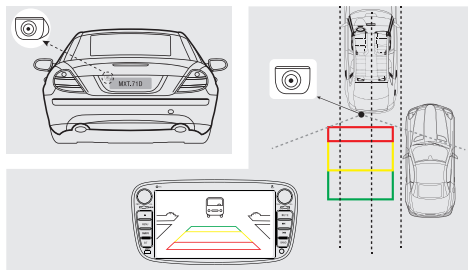
About guide line

Generally, to help drivers estimate the distance from obstacles, there are three lines for reference -red, yellow and green. Those lines are displayed on the monitor when reversing. The green line is 3m away from the back of car and the yellow line is 2m. The distant red line is 1m away from the backside of car while the closed red line is 0.4m. Both reference lines on the left and right should leave 0.2m from the car.



What the regular guide line is

Regular guide line is fixed. But installation sites of cameras are different as well as car size. The fixed guide line is not accurate enough for drivers. There is a great difference among regular and fixed guide lines and car's real guide lines, especially when camera is mounted on the left or right side of car backside.



How to adjust the guide line

According to the site of standard reference line, we can put references such as desks in the back side of the car. Compared with the marked references, we can adjust the sites and angles of two guide lines displayed on the monitor. You will get the accurate and safety guide lines once it coincides with the references.

Reverse state. Long press "☰" to enter the "guide line adjustment" mode. The system default is to adjust the left guide line first.

At this time, you can adjust the guide line between up, down, left and right by pressing "←" and "→", and switch to the next item by short pressing "SEL", "↶" and "↷" to adjust the angle of the guide line; long pressing "SEL" to save and exit the guide line setting.

