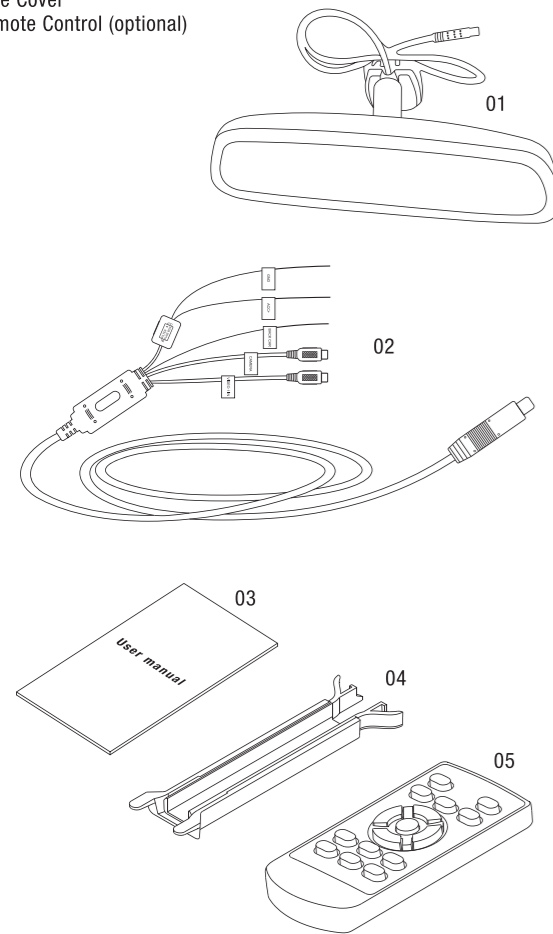


01 PACKAGE

The packing box contains the following accessories:

- 01 Rearview Mirror Monitor
- 02 Wire Harness
- 03 User's Manual
- 04 Wire Cover
- 05 Remote Control (optional)



For the items listed above, please check the packing contents. If there are any missing items, Please contact your point of purchase as soon as possible.

02 FEATURES

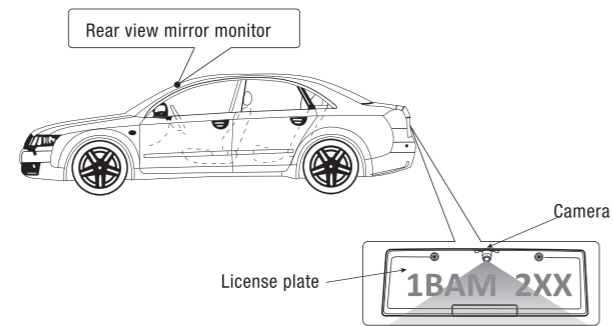
- Automatic brightness adjustment
- 4.0 mm glass and factory OEM mirror bracket
- Adjustable back up guide line (optional)
- Compass and temperature (optional)
- Parking sensor (optional)
- Manual dimming (optional)
- Auto dimming (optional)
- Back up camera display (auto switch)

03 SPECIFICATIONS

- Dual RCA Video Input
- Signal System: PAL / Auto / NTSC
- Screen Size: 4.3 inch
- Display Screen: TFT-LCD
- Aspect Resolution: 480(H) X 272(V) (4.3inch)
- Working Voltage: DC 12V

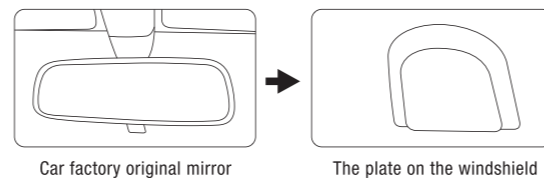
04 HOW TO INSTALL REVERSE CAMERA (optional)

Mount the camera at the top of the licence place. Depending on the camera, you may use the existing license plate screws.



05 HOW TO INSTALL MIRROR MONITOR

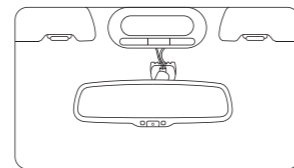
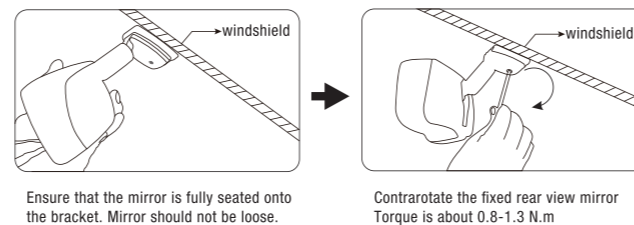
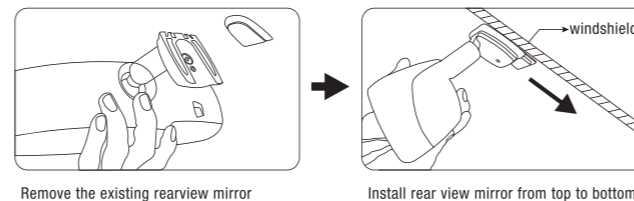
Remove the Original Mirror (leave the mounting plate on the windshield)



Different vehicle manufacturers may have different mounting brackets. There are many methods to remove the original rear view mirror. Check with the manufacturer for best removal methods. Please don't force the mirror off the brackets.

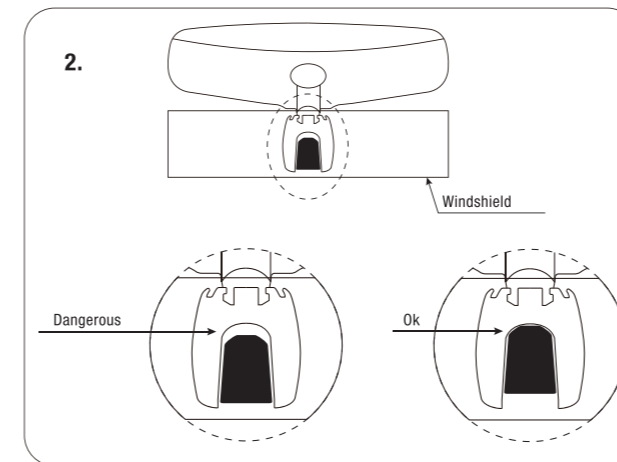
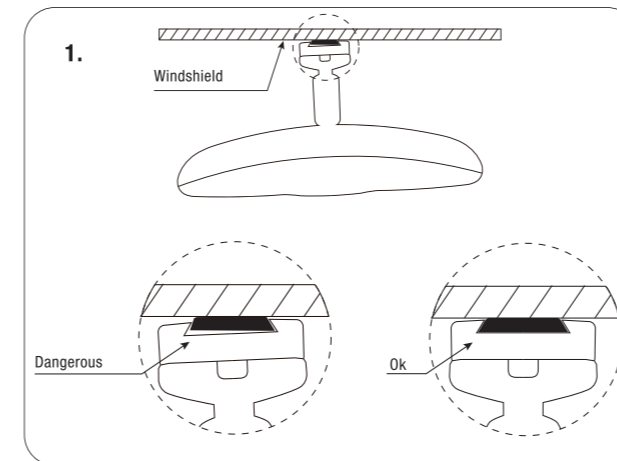
Master Tailgaters will not be responsible for any damage caused by improper removal and installation of the mirror.

Installing the Rearview Mirror to the Mounting Bracket

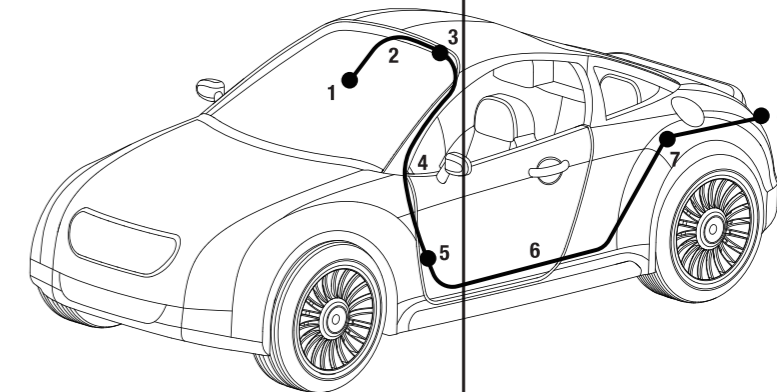
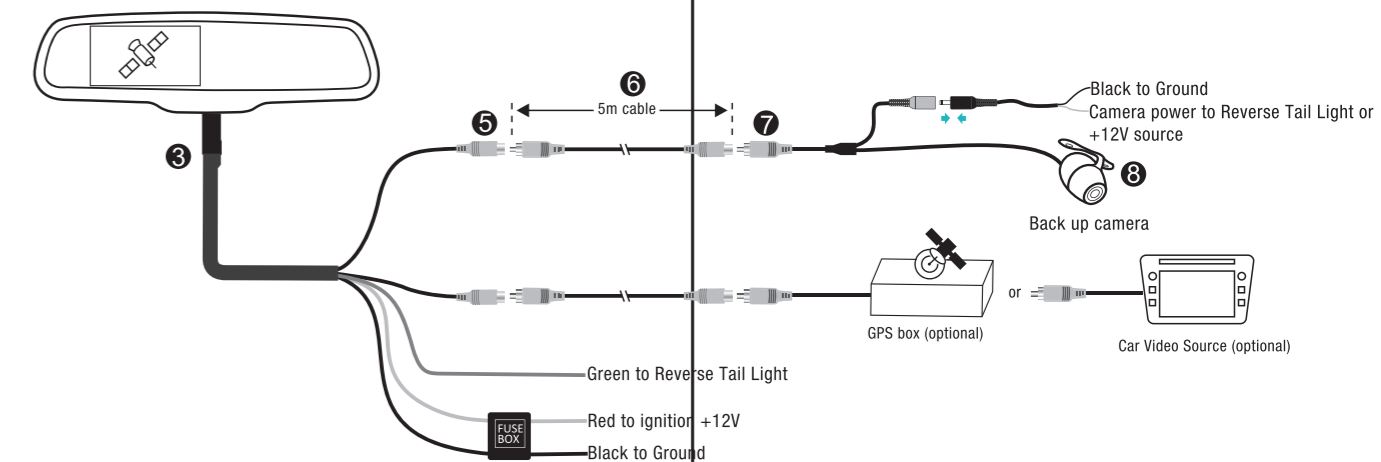


NOTE: Always use caution, DO NOT force the removal or installation. Master Tailgaters will not be responsible for any damage to the window. If you are unsure about the installation, it is suggested to find a professional.

CAUTION!



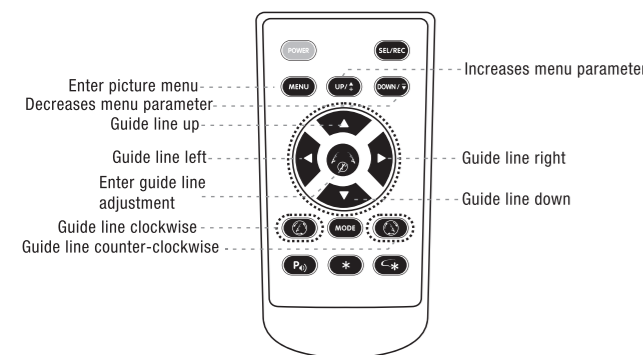
06 HOW TO WIRE



07 MENU SETTING

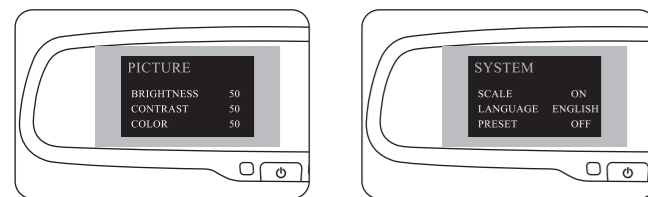
Remote Control (optional)

The menu can be controlled by remote control.



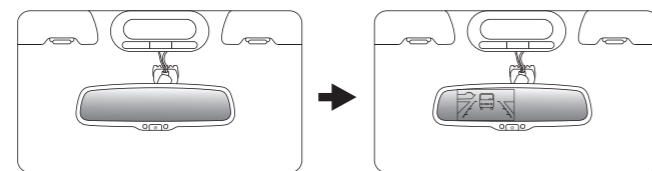
Menu Setting

Quick press "MENU", you can switch between "PICTURE", "SYSTEM", or enter out. When you select "PICTURE", press "SEL/REC" to switch among the items. "UP/↑" and "DOWN/↓" are to change the figure of each setting.



08 BACK UP CAMERA DISPLAY

When the car is in reverse, the monitor will automatically display back up camera.



09 AUTOMATIC BRIGHTNESS ADJUSTMENT

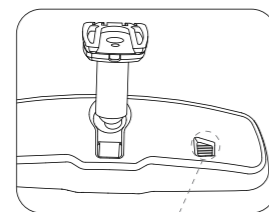
The brightness of screen varies with ambient light.

LOW LIGHT When ambient light is low, the screen will automatically reduce the brightness.

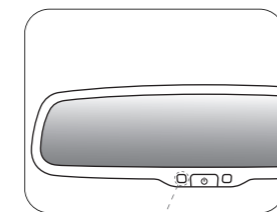
BRIGHT LIGHT When ambient light is bright, the screen will automatically increase the brightness.

10 AUTO-DIMMING (OPTIONAL)

Auto-dimming rear-view mirrors increase driving safety by eliminating glare that can impair vision. In auto-dimming technology, a forward-looking sensor detects low ambient light from headlights behind the car and directs the rear-view sensor to reduce glare. The mirror will darken automatically in proportion to how bright the glare is.



the light sensor from the back of mirror detects the ambient light



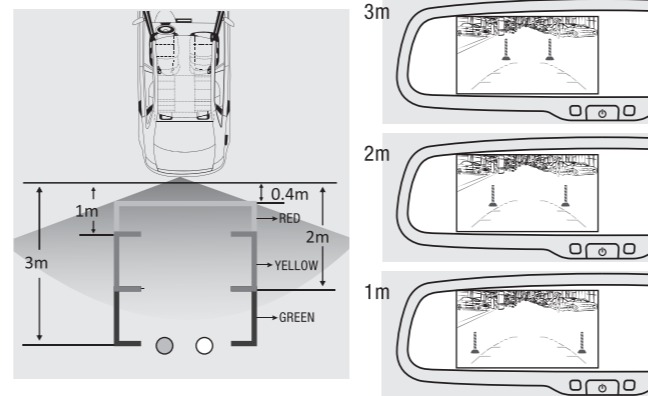
front light sensor detects the light from rearward-approaching vehicles.

	Video input: short press to turn on/off auto-dimming long press to turn on/off the screen.
The button (opt)	Camera input: adjust brightness of screen

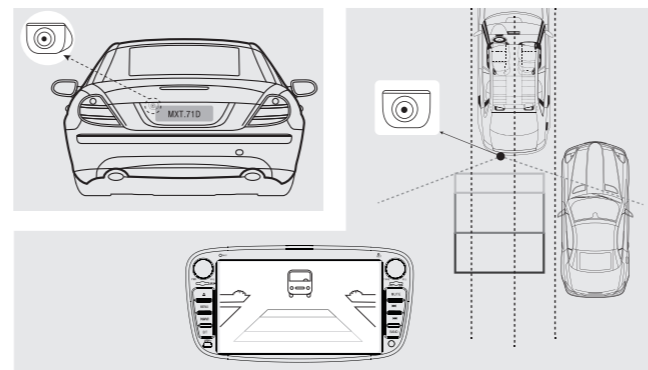
11 ADJUSTABLE GUIDE LINE (optional)

About Guide Line

Generally, to help drivers estimate the distance from obstacles, there are three lines for reference: red, yellow and green. These lines are displayed on the monitor when reversing. The green line is 3m away from the back of car and the yellow line is 2m. The distant red line is 1m away from the backside of car while the closed red line is 0.4m. Both reference lines on the left and right should leave 0.2m from the car.



Guide lines are to be used as only a reference guide. Since every installation is different, it is suggested that you test and park your vehicle and measure the guideline to objects in the screen. Always use your side view mirrors and don't rely entirely on the video monitor.



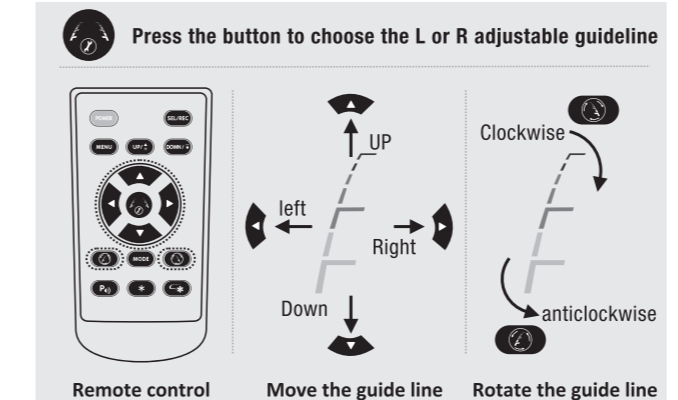
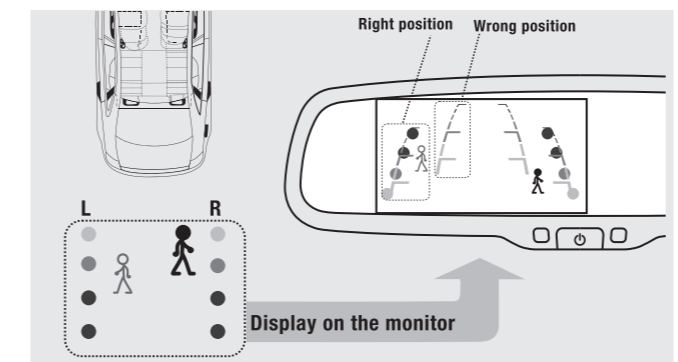
How to Adjust the Guide Line

According to the site of standard reference line, we can put references such as desks in the back side of the car. Compared with the marked references, we can adjust the sites and angles of two guide lines displayed on the monitor. You will get the accurate and safety guide lines once it coincides with the references.

Press setting button to enter "guide line adjustment" mode. The system is defaulted to adjust left guide line first. Press the button again to switch to adjust the right guide line.

The up, down, left and right buttons are to adjust the corresponding location of guide lines. The clockwise rotation and contra rotating buttons are to adjust the angles of guide lines. It is easy to operate and calibrate. calibration finished, switch the reverse gear to save the information.

Caution: keep the remote control 0.5m-1.0m from rearview mirror when you use the remote to adjust the parking lines.



This device complies with Part 15 of the FCC Rules. Operation is subject to the following two conditions:

- (1) this device may not cause harmful interference,
- (2) this device must accept any interference received, including interference that may cause undesired operation. changes or modifications not expressly approved by the party responsible for compliance could avoid the user's authority to operate the equipment.

NOTE: This equipment has been tested and found to comply with the limits for a Class B digital device, pursuant to Part 15 of the FCC Rules. These limits are designed to provide reasonable protection against harmful interference in a residential installation. This equipment generates, uses and can radiate radio frequency energy and, if not installed and used in accordance with the instructions, may cause harmful interference to radio communications. However, there is no guarantee that interference will not occur in a particular installation.

If this equipment does cause harmful interference to radio or television reception, which can be determined by turning the equipment off and on, the user is encouraged to try to correct the interference by one or more of the following measures:

- Reorient or relocate the receiving antenna.
- Increase the separation between the equipment and receiver.
- Connect the equipment into an outlet on a circuit different from that to which the receiver is connected.
- Consult the dealer or an experienced radio/TV technician for help.

To maintain compliance with FCC's RF Exposure guidelines, This equipment should be installed and operated with minimum distance between 20cm the radiator your body: Use only the supplied antenna.

Caution No entertainment video is permit when driving except the demo for navigation and backup camera display!

* This manual is only for your reference, please check the actual product as the standard!

Master Tailgaters

Ultra High Brightness Rear View Mirror with LCD Monitor

USER MANUAL

www.mastertailgaters.com

