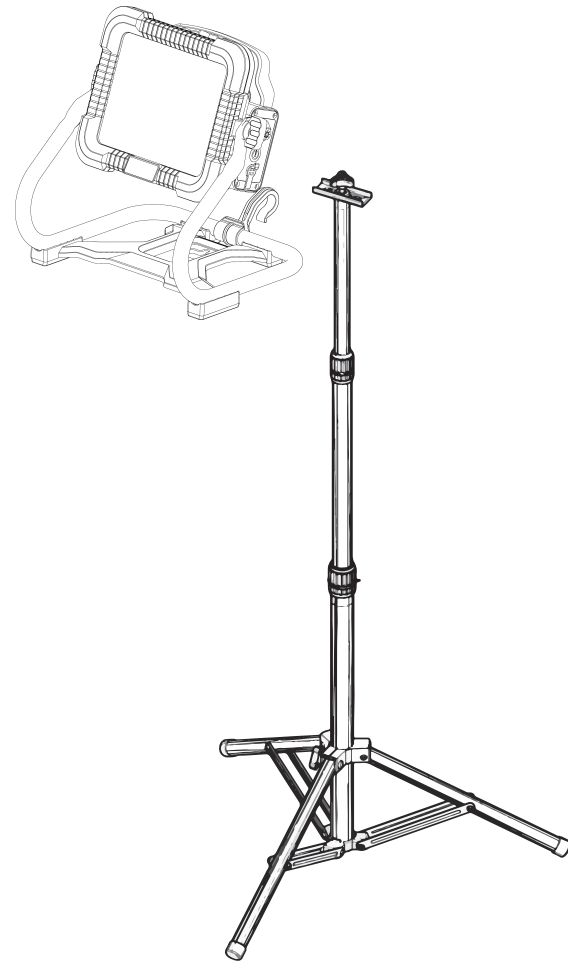


LED Work Light with Tripod Stand



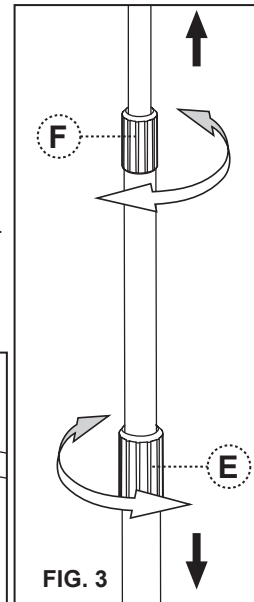
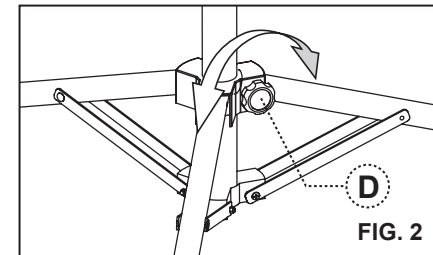
CAUTION: Read all instructions and warnings before Operating!
SAVE THESE INSTRUCTIONS! READ ALL INSTRUCTIONS!

WARNING: To avoid serious injury or death from electrical shock or fire:

1. **DO NOT** handle this fixture or try to plug it in when your hands are wet or damp or when standing on a wet or damp surface or in water.
2. **This Fixture is Suitable for Indoor / Outdoor Use.** The fixture can be used outdoor in rain or damp conditions.
3. Do not use in or near standing water, or where water may accumulate. Keep this fixture at least 16 feet from pools or spas. **DO NOT IMMERSE THIS FIXTURE.**
4. This fixture is not explosive-proof, **DO NOT** use in potentially dangerous locations, such as in flammable or explosive atmospheres.
5. **NEVER** operate the light with the clear protective glass broken or removed.
6. **NEVER LOOK DIRECTLY INTO LIGHT SOURCE.** LEDs are extremely bright and can damage eyes with prolonged exposure.
7. **KEEP AWAY** from heating vents, radiators, or other sources of heat.
8. **KEEP OUT OF REACH OF CHILDREN.**

TRIPOD STAND SET UP (Fig 2. & Fig. 3)

1. Loosen the Knob (D) located at the bottom junction of the three legs (Fig. 2). Fully spread the legs apart by pulling the legs outward to start and then pushing down on the Bottom Junction. Tighten the knob until snug. Do not over tighten.
 2. To adjust the height of the Tripod Stand (Fig. 3), loosen the lower Twist Grip (E) and raise the tube until the proper height is achieved. Tighten the Twist Knob enough so the tube will hold its position. If additional height is needed, follow the same procedure with the upper Twist Knob (F). The maximum height of the stand, both sections fully extended, is 56 inches.
 3. Place the stand on a firm, level surface.
- CAUTION:** Never place the tripod on a steep incline or unstable surface. The tripod may tip causing injury.



OPERATION

1. the light heads has an ON/OFF switch. This provides three levels of light when operating one light or two lights. Always turn each light head off before unplugging the Work Light.
2. To adjust the direction of the LED Light Heads. Loosen the Knobs (A) to swivel or Knobs (B) to tilt the LED Light Heads to the desired position. Retighten the Knob(s) to hold the position.

LAMP REPLACEMENT

The LEDs in this fixture are not replaceable. The LEDs will last up to a minimum of 50,000 hours and are not subject to breakage due to shock like typical halogen or incandescent lamps.

MAINTENANCE

Remove dirt and grime as soon as it accumulates. Use a soft damp cloth and a mild soap if necessary. Remove dirt from all surfaces including cord, tripod, sled and light heads. The glass fronts on the light heads can be cleaned with a household glass cleaner.

CAUTION: **DRY** the plug thoroughly if it becomes wet during cleaning. **NEVER** submerge any part of the Work Light in any solution to clean it. **DO NOT** use solvents such as gasoline, turpentine, etc. to clean the unit.