

# BRAUN

Coffee maker



## Instructions

Type 3107

[www.braunhousehold.com](http://www.braunhousehold.com)

KF6050

KF7000

KF7030

KF7070

# IMPORTANT SAFEGUARDS

When using electrical appliances, basic safety precautions should always be followed to reduce the risk of fire, electric shock and/or injury to persons, including the following:

## READ ALL INSTRUCTIONS.

1. The appliance is not intended for use by persons (including children) with reduced physical, sensory or mental capabilities, or lack of experience and knowledge, unless they have been given supervision or instructions concerning use of the appliance by a person responsible for their safety.
2. Always unplug appliance from outlet when not in use and before cleaning. Allow to cool before putting on or taking off parts and before cleaning the appliance.
3. To protect against the risk of electric shock, do not put motor body of blender in water or other liquids.
4. The use of attachments/accessories not sold or recommended by Braun may cause fire, electrical shock or risk of injuries to persons.
5. Regularly inspect the power cord, power plug and actual appliance for any damage. Do not operate if damaged in any way or after the appliance malfunctions. Immediately cease use of the appliance and call Braun Customer Service for examination, repair or adjustment.
6. Do not use outdoors or for anything other than its intended purpose.
7. Snap lid securely onto carafe before serving any coffee.
8. Scalding may occur if the reservoir cover is opened during the brewing cycle.
9. The glass carafe is designed for use with this appliance only. It must never be used on a range top or in a microwave oven.
10. Do not set a hot carafe on a wet or cold surface.
11. Do not use cracked carafe or a carafe having a loose or weakened handle.
12. Do not clean carafe or keep warm plate with abrasive cleansers, steel wool pads, or other abrasive materials.
13. Do not immerse in water.
14. Regularly inspect the power cord, power plug and actual appliance for any damage. Do not operate if damaged in any way or after the appliance malfunctions. Immediately cease use of the appliance and call Braun Customer Service for examination, repair or adjustment.
15. Do not touch hot surfaces. Use handles and buttons.
16. Do not let cord hang over edge of table or counter, or touch hot surface.
17. Do not place on or near a hot gas or electric burner, or in a heated oven.
18. Always fill water reservoir first, then plug cord into the wall outlet. To disconnect, press the «On/Off» button, then remove plug from wall outlet.
19. Warning: Risk of fire or electric shock. Do not remove the base panel. No user serviceable parts are inside. Repair should be done by authorized service personnel only.
20. Do not operate your appliance in an appliance garage or under a wall cabinet. When storing in an appliance garage always unplug the unit from the electrical outlet. Not doing so could create a risk of fire, especially if the appliance touches the walls of the garage or the door touches the unit as it closes.

21. Never open the reservoir cover during the brewing cycle, even if no water is draining from the filter basket, since extremely hot water/coffee can spill out from the filter basket and cause injury. If water/coffee is not draining from the filter basket during the brewing cycle, unplug the unit and wait 10 minutes before opening the top cover and checking the filter basket.
22. We suggest you save all packing materials in the event that future shipping of the machine is needed. Keep all plastic bags away from children.
23. This appliance has a polarized plug (one blade is wider than the other). To reduce the risk of electric shock, this plug will fit in a polarized outlet only one way. If the plug does not fit fully in the outlet, reverse the plug. If it still does not fit, contact a qualified electrician. Do not modify the plug in any way.

# SAVE THESE INSTRUCTIONS

## FOR HOUSEHOLD USE ONLY SPECIAL CORD SET INSTRUCTIONS

A short power-supply cord is provided to reduce the risks resulting from becoming entangled in or tripping over a longer cord.

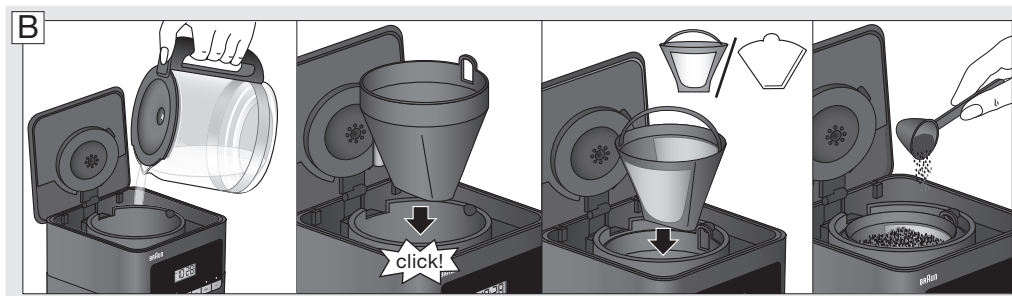
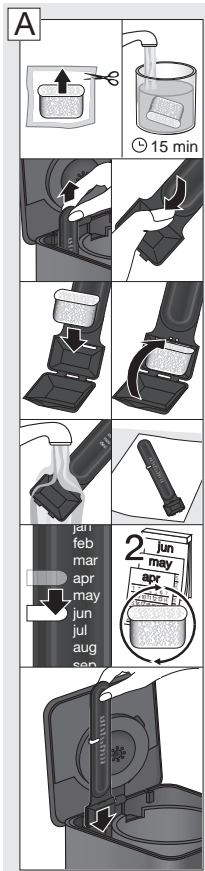
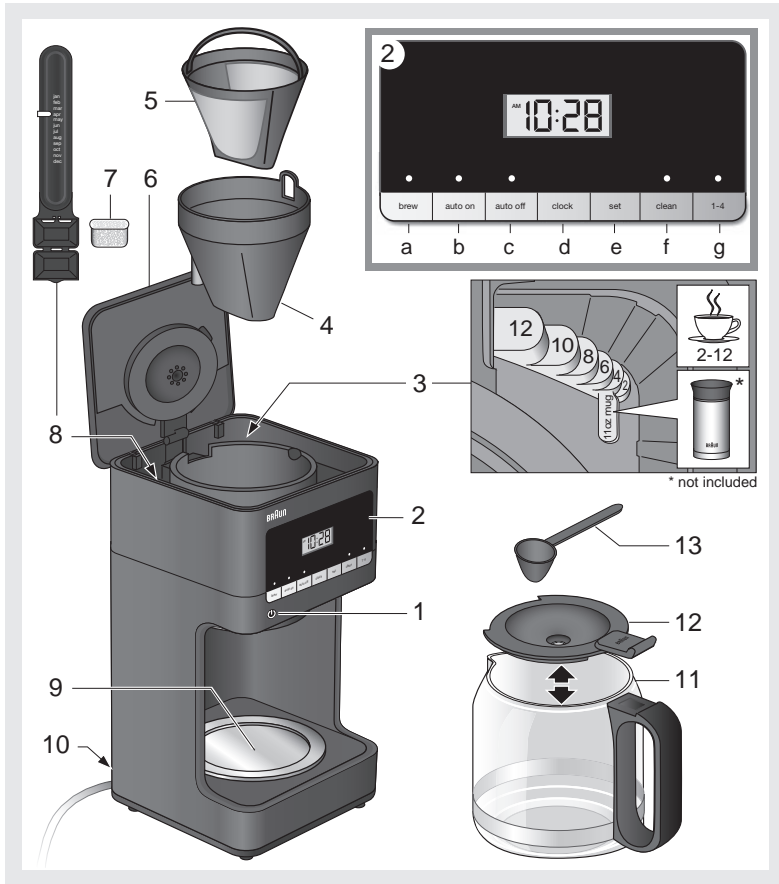
Longer detachable power supply cords or extension cords are not recommended, but may be used if care is exercised. If an extension cord is used:

- (1) the marked electrical rating of the cord set or extension cord should be at least as great as the electrical rating of the appliance,
- (2) the cord should be arranged so that it will not drape over the countertop or tabletop where it can be pulled on by children or tripped over unintentionally

English	6
Français	14
Español	22

De'Longhi Braun Household GmbH  
Carl-Ulrich-Straße 4  
63263 Neu-Isenburg/Germany





# English

Our products are engineered to meet the highest standards of quality, functionality and design. We hope you thoroughly enjoy the new Braun appliance.

## Before Use

**Please read instructions carefully and completely before using the appliance.**

## Description of Parts and Accessories

- 1 On/Off button
- 2 LED control panel and clock
- 3 Water reservoir incl. water level indicator (inside)
- 4 Filter basket with anti drip system
- 5 Gold tone permanent filter
- 6 Reservoir cover and showerhead
- 7 Charcoal water filter
- 8 Charcoal water filter holder
- 9 Keep warm plate
- 10 Cord storage
- 11 Glass carafe
- 12 Flip lid (glass carafe)
- 13 Coffee measuring scoop

Maximum water capacity: 12 cups (60 fl. oz.)

## LED Control Panel

### a. BREW

Use to start the brew and keep warm cycles.

### b. AUTO ON

Use to program the start time of the brew cycle. The AUTO ON time can be set for any time, day or night. «PM» is displayed on the LED for nighttime program times.

### c. AUTO OFF

Use to program the shut off time of the coffee maker.

### d. CLOCK

Displays time of day and use to set time for automatic functions (auto on and auto off times).

### e. SET

Use to program the time of day, auto on, auto off times and water hardness level.

### f. CLEAN

Use to activate the descaling mode and set the water hardness level.

### g. 1-4

Use to brew smaller amounts of coffee (up to 4 cups).

## OPERATING INSTRUCTIONS

### Installing the Charcoal Water Filter (A)

Use of the charcoal water filter is optional, but strongly recommended. The filter eliminates chlorine, bad tastes and odors from tap water. The coffee maker will operate normally without it.

Replacement water filters can be purchased in stores, through the Braun website, or by calling Customer Service.

- Remove the charcoal water filter (7) from polybag and soak in cold tap water a minimum of 15 minutes.
- Remove the charcoal water filter holder (8) from the coffee maker by lifting it out of the water reservoir (3).
- Gently press down the stem and pull toward you. Compartment will flip open.
- Place the charcoal water filter in the water filter holder and close it; you will hear a snap indicating it is in place.
- Hold the filter under cold running tap water for 10 seconds to flush. You should place the hole openings directly under the water stream.
- Allow the filter to drain completely.
- Position the green indicator to the month you installed the charcoal water filter. We recommend changing the charcoal water filter every 2 months, more often if you have hard tap water.
- Replace the charcoal water filter holder in the water reservoir of the coffee maker, pushing it all the way down to the base of the unit, along the reservoir wall.

**NOTE:** Caution must be used when inserting the charcoal water filter. Improper placement in the water filter holder can cause tearing of the filter skin.

## Switching On/Off

- To switch on the coffee maker, press the On/Off button (1). The green indicator light will illuminate indicating that the coffee maker is in «ready» mode.
- To switch off the coffee maker, press the On/Off button again. The green indicator light will turn off indicating that the coffee maker is in «stand by» mode.

## Programming the Coffee Maker

**NOTE:** The coffee maker features a 60-second power loss back-up system that remembers all programmed information, including time of day and

auto on/off times in the event of a tripped breaker, unit is unplugged, or power failure.

## Setting the Time

When the coffee maker is first plugged in or when power is restored after an interruption, the LED control panel will start flashing 2:00 AM.

- To set the hour, press the CLOCK button (d) for a minimum of 3 seconds. The LED control panel will start flashing.
- Press and hold the SET button (e) to scroll through the numbers. Release the button once the desired hour is displayed.
- To set the minutes, press the CLOCK button. The LED control panel will start flashing.
- Press and hold the SET button to scroll through the numbers. Release the button once the desired minutes is displayed.
- Press the CLOCK button again to save the desired time.
- If during the setting process no button is pressed for 10 seconds, the time currently set will be saved.

**NOTE:** When the number count passes 12, the PM light will be displayed on the LCD.

**Before programming, always switch on the coffee maker.**

## Programming and Activating the AUTO ON Time

- Press the AUTO ON button (b) for a minimum of 3 seconds.
- The hours in the LED panel will start flashing.
- To set the hour, press the CLOCK button (d) for a minimum of 3 seconds. The LED control panel will start flashing.
- Press and hold the SET button (e) to scroll through the numbers. Release the button once the desired hour is displayed.
- To set the minutes, press the AUTO ON button. The minutes in the LED control panel will start flashing.
- Press and hold the SET button to scroll through the numbers. Release the button once the desired minutes is displayed.
- Press the AUTO ON button again to save the desired time.
- The pre-set auto on time will disappear after 3 seconds and the time of day will show on the LED control panel.
- If during the setting process no button is pressed for 10 seconds, the auto on time currently set will be saved.

This function can only be activated if the auto on time and the time of the day have been set.

### To activate the AUTO ON function:

- Press the AUTO ON button (b). The green LED above the button will illuminate and the coffee maker will start to brew at the pre-set auto on time.
- The pre-set auto on time disappears after 3 seconds.
- When the appliance starts brewing, the green LED BREW will continually flash and the LED AUTO ON turns off.
- Press the AUTO ON button (b) again to switch off the function: the green LED light will disappear.

**NOTE:** The AUTO ON function remains activated even when the appliance has been switched off (1).

## Programming and Activating the AUTO OFF Time

The auto off time can be set in 5 minute intervals, anywhere from 15 minutes to 5 hours. The default setting is 2 hours.

- Press the AUTO OFF button (c) for a minimum of 3 seconds.
- The default setting (2 hours) will start flashing.
- Press and hold the SET button (e) to scroll through the numbers. Time displayed is in 5 minute intervals.
- Press the AUTO OFF button again to save the desired time.
- The pre-set auto off time will disappear after 3 seconds and the time of day will show on the LED control panel.
- If during the setting process no button is pressed for 10 seconds, the auto off time currently set will be saved.

This function can only be activated if the auto off time has been set.

### To activate the AUTO OFF function:

- Press the AUTO OFF button (c): the green LED above the button will illuminate and the coffee maker stops keeping warm at the pre-set auto off time (min. 15 minutes / max. 5 hours).
- The pre-set auto off time disappears after 3 seconds.
- Press the AUTO OFF button (c) to switch off the function: the green LED light disappears.

For your additional safety, the appliance will switch off automatically 2 hours after the brewing cycle is complete if the AUTO OFF function has not been activated.

## Setting the Water Hardness Level

Set the water hardness level on the coffee maker to the water hardness level for your local area.

- Press the CLEAN button (f) for a minimum of 3 seconds.
- The default setting (h3) will start flashing.
- Press the SET button (e) to scroll through the options (h1 = soft, h2 = normal, h3 = hard) and select the appropriate water hardness level.
- Press the CLEAN button again to save the hardness level.
- The pre-set water hardness disappears after 3 seconds and the time of day will show on the LED control panel.

## 1 – 4 Cups Setting

- Press the «1-4» button (g). The green LED above the button will illuminate.
- Press BREW (a) to start brewing.
- The green LED turns off after the brewing cycle is finished.

## Making Coffee (B)

Before using the coffee maker for the first time, after a long period of not using it, or after installing a new charcoal water filter, run the coffee maker through a complete brew cycle without ground coffee. Use a full carafe (12 cups) of fresh cold water. This will remove any dust from the manufacturing process or residues that have remained in the unit.

- Open the reservoir cover (6).
- When filling the water reservoir (3) with fresh cold water, refer to the carafe height markings or the water level indicator (inside the water reservoir) and fill to the desired number of cups.
- To prepare the exact amount of coffee for the Braun Mug2Go (available separately as accessory), fill to the corresponding water mark (11 oz.) inside the reservoir.
- Insert the gold tone permanent filter (5) or a paper filter (cone type # 4) in the filter basket (4).
- Add the desired amount of ground coffee, corresponding to the number of cups being brewed. We recommend using 1 tablespoon or 1 coffee scoop of ground coffee per cup, but use more or less to suit your taste.
- Close the water reservoir and place the carafe in its position on the keep warm plate (9).
- Plug the cord into an electrical outlet and press the On/Off button (1).
- Press the BREW button (a) to start brewing immediately or press AUTO ON (b) to commence brewing at the pre-set time.

- During brewing, the indicator light will flash continuously. Once the brewing cycle is complete, the light will turn solid green indicating the coffee maker is in «keep warm» mode.

**NOTE:** The anti drip system halts the flow of coffee from the filter basket when the carafe is removed, so a cup can be poured before brewing is finished. The carafe should be returned to the keep warm plate (maximum 20 seconds) to prevent the filter basket from overflowing.

## For Best Results

- Be sure to add a small amount of extra water to account for the amount of water lost in wetting the grounds and through evaporation during the brewing process.
- When using paper filters, be sure that it is completely open and fully inserted in the basket. It may help to fold and flatten the seams of the paper filter beforehand.
- Once the coffee has finished brewing, stir it before serving to blend the flavors. The coffee at the bottom of the carafe will be somewhat stronger than the coffee at the top.

**NOTE:** The maximum amount of ground coffee the coffee maker can take is 15 scoops or tablespoons. Exceeding this amount may cause overflow if the coffee is too finely ground.

## Descaling

For the best performance from your Braun coffee maker, descale the unit when the LED CLEAN (f) lights up solid green. This indicates it is time to descale your coffee maker.

To set water hardness, see «Setting the Water Hardness Level».

The removal of built-up calcium deposits from the water reservoir will help extend the life of your coffee maker and keep your coffee tasting great. Frequency will depend upon the hardness of your tap water and how often you use the coffee maker.

You can use a commercially available descaling agent that is safe to use on aluminum. We recommend using the Braun Descaling Solution (can be purchased in stores, through the Braun website, or by calling Customer Service).

**NOTE:** For your convenience, the cleaning cycle is automatic. The entire cleaning cycle including rinsing can take up to 45 minutes to complete.



- Remove the charcoal water filter holder (8) including the charcoal water filter (7) and the gold tone permanent filter (5).
- Follow package instructions on the descaling agent.
- Place the empty carafe in its position on the keep warm plate (9).
- Press the CLEAN button (f). The green LED above the button will start flashing.
- Press BREW (a) to start the descaling program, while the green LED is still flashing. Once the descaling process has started, it is not possible to stop the program until finished.
- When the descaling program has been completed, the green LED will turn off.
- Discard the cleaning solution and rinse the carafe thoroughly with clean water.
- Fill the water reservoir with a full carafe (12 cups) of clean, fresh water. Run the coffee maker through two complete brew cycles to flush the unit after descaling. Use a full carafe of fresh cold water each time.

Repeat the procedure as many times as necessary in order to reduce the brewing time per cup to a normal level.

## Cleaning and Maintenance (C)

- Always turn coffee maker off and remove the plug from the electrical outlet before cleaning.
- Lift up the reservoir cover. Remove the gold tone permanent filter and discard the ground coffee.
- Remove the carafe from the keep warm plate and discard any remaining coffee.
- The filter basket, gold tone permanent filter, carafe and lid can be washed in warm, soapy water and rinsed thoroughly, or cleaned in the upper rack of the dishwasher. Dry all parts after use.
- Do not use any scouring agents or harsh cleansers on any part of the coffee maker.
- Never immerse the unit in water or other liquids.
- To clean base, simply wipe with a clean, damp cloth and dry before storing.
- Do not put any water in the unit once the filter basket has been removed. Wipe the area under the filter basket with a damp cloth.
- Fingerprints and other blemishes on the housing can be wiped off with soap and water or a non-abrasive cleaning solution.
- Do not dry the inside of the water reservoir with a cloth, as lint may remain.

Both the design specifications and these user instructions are subject to change without notice.

Do not dispose the product in household waste at the end of its useful life.

<b>Problem</b>	<b>Potential Causes</b>	<b>Solution</b>
The ON/OFF switch does not light up	<ul style="list-style-type: none"> <li>• The appliance is unplugged</li> <li>• There was a power outage</li> <li>• ON/OFF button was not pressed</li> </ul>	<ul style="list-style-type: none"> <li>• Plug unit in</li> <li>• Wait for power to be restored</li> <li>• Press ON/OFF button</li> </ul>
Display does not show a time	<ul style="list-style-type: none"> <li>• The appliance is unplugged</li> <li>• There was a power outage</li> </ul>	<ul style="list-style-type: none"> <li>• Plug unit in</li> <li>• Wait for power to be restored</li> </ul>
Display flashes «2:00 AM»	Initial operation or there was a power outage	Set clock
It is not possible to set the AUTO ON time	<ul style="list-style-type: none"> <li>• ON/OFF button was not pressed</li> <li>• Clock has not been set</li> </ul>	<ul style="list-style-type: none"> <li>• Press ON/OFF button</li> <li>• Set clock time</li> </ul>
It is not possible to activate the AUTO ON time	<ul style="list-style-type: none"> <li>• ON/OFF button was not pressed</li> <li>• AUTO ON time has not been set</li> </ul>	<ul style="list-style-type: none"> <li>• Press ON/OFF button</li> <li>• Set AUTO ON time</li> </ul>
It is not possible to change the AUTO OFF time	<ul style="list-style-type: none"> <li>• ON/OFF button was not pressed</li> <li>• Clock has not been set</li> </ul>	<ul style="list-style-type: none"> <li>• Press ON/OFF button</li> <li>• Set clock time</li> </ul>
The green LED light above BREW does not light up	<ul style="list-style-type: none"> <li>• The appliance is unplugged</li> <li>• There was a power outage</li> <li>• ON/OFF button was not pressed and the BREW button was not pressed</li> </ul>	<ul style="list-style-type: none"> <li>• Plug unit in</li> <li>• Wait for power to be restored</li> <li>• Press the ON/OFF button, followed by BREW</li> </ul>
Coffee is not brewing	<ul style="list-style-type: none"> <li>• The appliance is unplugged</li> <li>• There was a power outage</li> <li>• BREW button was not pressed</li> <li>• There is no water in the reservoir</li> </ul>	<ul style="list-style-type: none"> <li>• Plug unit in</li> <li>• Wait for power to be restored</li> <li>• Press BREW button</li> <li>• Pour water into the reservoir</li> </ul>
The coffee maker is only brewing water	There are no coffee grounds in the filter basket	Add the desired amount of coffee to the filter
The coffee maker is overflowing	The filter basket is not properly inserted	Insert the filter basket correctly
	The carafe was not properly positioned on the keep warm plate	Be sure the carafe is centered directly under the filter basket
	The lid is not on the carafe	Place the lid on the carafe
	Carafe was removed for more than 20 seconds while the unit is brewing	Carafe should be replaced promptly after removing
	Using too much coffee grounds	Remove filter from the filter basket. If using the gold tone permanent filter, discard coffee and rinse. If using a paper filter, replace with new one. Restart the coffee brewing process with proper amount of coffee grounds
	Using coffee that is too finely ground	Use only coffee that is ground for drip coffee makers
	Paper filter and gold tone permanent filter are used together	Use either paper or the gold tone permanent filter, never both at the same time
Coffee is flowing out of the filter basket and onto the keep warm plate when the carafe is not in place	The filter basket spring popped out during cleaning	Reattach the spring to the filter basket

Coffee is not hot	<ul style="list-style-type: none"> <li>• There was a power outage</li> <li>• Auto off was activated</li> </ul>	<ul style="list-style-type: none"> <li>• Wait for power to be restored</li> </ul>
There are coffee grounds at the bottom of the carafe	The filter (paper or gold tone) was not inserted correctly into the filter basket	Rinse filter basket, set filter into the filter basket and restart brewing
	Paper filter collapsed	Remove filter, rinse filter basket and restart brewing with a new paper filter
Display shows «E01», «E02» or «E03»	----	Contact Braun Customer Service

# IMPORTANTES MESURES DE PROTECTION

Lorsque vous utilisez des appareils électriques, vous devez toujours suivre des précautions de sécurité de base pour réduire les risques d'incendie, de choc électrique et/ou de blessures, y compris les suivantes:

## LIRE TOUTES LES INSTRUCTIONS.

1. Cet appareil n'est pas prévu pour être utilisé par des personnes (y compris les enfants) dont les capacités physiques, sensorielles ou mentales sont réduites, ou des personnes dénuées d'expérience ou de connaissance, sauf si elles ont pu bénéficier, par l'intermédiaire d'une personne responsable de leur sécurité, d'une surveillance ou d'instructions préalables concernant l'utilisation de l'appareil
2. Débranchez toujours l'appareil de la prise de courant quand vous ne l'utilisez pas et avant de le nettoyer. Laissez l'appareil refroidir avant d'enlever ou d'installer des pièces et avant de le nettoyer.
3. Pour éviter tout risque de choc électrique, n'immergez jamais le boîtier du bloc-moteur du pied mixeur dans l'eau ou d'autres liquides.
4. L'utilisation d'accessoires non vendus ni recommandés par Braun peuvent provoquer des incendies, des chocs électriques ou des blessures.
5. Inspectez régulièrement le cordon d'alimentation, la fiche, ainsi que l'appareil pour y déceler tout dommage. Ne faites pas fonctionner l'appareil s'il est endommagé ou s'il ne fonctionne pas correctement. Arrêtez immédiatement d'utiliser l'appareil et appelez le Service clientèle de Braun pour examen, réparation ou ajustement de l'appareil.
6. Ne pas utiliser à l'extérieur ni à d'autres fins que celles prévues.
7. Fixez solidement le couvercle sur la carafe avant de servir du café.
8. Risque de brûlures si le couvercle du réservoir est ouvert au cours du cycle de filtrage.
9. La carafe en verre est conçue pour être utilisée avec cet appareil seulement. Ne jamais l'utiliser sur une cuisinière ou dans un four à micro-ondes.
10. Ne pas placer une carafe chaude sur une surface mouillée ou froide.
11. Ne pas utiliser une carafe fêlée ou une carafe dont la poignée est lâche ou n'est pas correctement fixée.
12. Ne pas nettoyer la carafe ni la plaque chauffante avec des nettoyants abrasifs, des tampons à récurer en laine d'acier ou tout autre matériau abrasif.
13. Ne pas immerger dans l'eau.
14. Inspectez régulièrement le cordon d'alimentation, la fiche, ainsi que l'appareil pour y déceler tout dommage. Ne faites pas fonctionner l'appareil s'il est endommagé ou s'il ne fonctionne pas correctement. Arrêtez immédiatement d'utiliser l'appareil et appelez le Service clientèle de Braun pour examen, réparation ou ajustement de l'appareil.
15. Ne pas toucher les surfaces chaudes. Utiliser les poignée et les boutons.
16. Ne pas laisser le cordon pendre du bord d'une table ou d'un plan de travail ou toucher une surface chaude.
17. Ne pas placer sur ou près d'un brûleur à gaz ou électrique chaud, ni dans un four chaud.

18. Toujours remplir le réservoir d'eau en premier lieu et brancher ensuite la fiche dans la prise de courant. Pour débrancher, appuyer sur le bouton ON/OFF pour le mettre sur la position « OFF » et ensuite enlever la fiche de la prise.
19. Avertissement : risque de choc électrique. Ne pas retirer le panneau à la base. Aucune pièce utilisable ne se trouve à l'intérieur. Les réparations doivent être effectuées seulement par du personnel autorisé.
20. Ne pas faire fonctionner l'appareil dans une armoire à appareils électroménagers ou sous une armoire murale. Lors du rangement dans une armoire à appareils électroménagers, toujours débrancher l'appareil de la prise électrique sinon cela peut entraîner un risque d'incendie, surtout si l'appareil entre en contact avec les parois de l'armoire ou si la porte de l'armoire entre en contact avec l'appareil lorsqu'elle se ferme.
21. Ne jamais ouvrir le couvercle du réservoir pendant le cycle de filtrage, même si de l'eau ne s'écoule pas du panier-filtre, étant donné que de l'eau ou du café extrêmement chaud peut déborder du panier-filtre et provoquer des blessures. Si du café ou de l'eau ne s'écoule pas du panier-filtre pendant le cycle de filtrage, débranchez l'appareil et attendez 10 minutes avant d'ouvrir le couvercle du dessus et de vérifier le panier-filtre.
22. Nous recommandons de conserver les matériaux d'emballage d'origine au cas où vous en auriez besoin pour une expédition de l'appareil. Tenir tous les sacs en plastique hors de portée des enfants.
23. L'appareil est muni d'une fiche polarisée (une lame est plus large que l'autre). Afin de réduire les risques de choc électrique, cette fiche ne peut être branchée sur une prise polarisée que dans un seul sens. Si la fiche n'entre pas complètement dans la prise, inversez la fiche. Si la fiche n'entre toujours pas dans la prise, contactez un électricien qualifié. Ne modifiez pas la fiche de quelque façon que ce soit.

## CONSERVEZ CES INSTRUCTIONS

### USAGE DOMESTIQUE SEULEMENT

### INSTRUCTIONS RELATIVES AU CORDON D'ALIMENTATION SPÉCIAL

Un cordon d'alimentation court est fourni avec l'appareil pour réduire les risques d'enchevêtrement ou de trébuchement que présente un cordon d'alimentation plus long.

Des cordons d'alimentation détachables plus longs ou des rallonges ne sont pas recommandés mais peuvent être utilisés avec prudence. Si un cordon d'alimentation plus long est utilisé :

- (1) le calibre électrique indiqué sur le cordon plus long ou la rallonge doit être au moins aussi élevé que le calibre électrique de l'appareil,
- (2) le cordon doit être disposé de sorte qu'il ne pende pas du comptoir ou de la table, où des enfants peuvent le tirer ou trébucher dessus par inadvertance.

# Français

Nos produits sont conçus de manière à répondre aux normes les plus exigeantes en matière de qualité, de fonctionnalité et de design. Nous espérons que le nouvel appareil Braun vous apportera pleinement satisfaction.

## Avant utilisation

Lisez le mode d'emploi attentivement et en entier avant d'utiliser cet appareil.

## Description des Parties et Accessoires

- 1 Bouton ON/OFF
- 2 Écran à LED et horloge
- 3 Réservoir à eau avec indicateur de niveau d'eau (à l'intérieur)
- 4 Panier de filtre avec système anti-gouttes
- 5 Filtre permanent doré
- 6 Couvercle du réservoir et douchette
- 7 Filtre à charbon pour eau
- 8 Support de filtre à charbon pour eau
- 9 Sole chauffante
- 10 Logement du cordon
- 11 Carafe en verre
- 12 Couvercle rabattable (carafe en verre)
- 13 Cuillère de dosage du café

Capacité d'eau maximale : 12 tasses (60 fl. oz.)

## Panel de control LED

### a. BREW

Sert à démarrer les cycles d'infusion et de maintien au chaud

### b. AUTO ON

Sert à programmer le début du cycle d'infusion. L'heure du démarrage automatique peut être réglée n'importe quand, de jour comme de nuit. « PM » s'affiche sur l'écran LCD en cas de programmation nocturne.

### c. AUTO OFF

Sert à programmer le délai d'arrêt de la cafetière.

### d. CLOCK

Affiche l'heure et permet de régler l'heure pour les fonctions automatiques (démarrage et arrêt automatiques).

### e. SET

Sert à programmer l'heure, le démarrage automatique, l'arrêt automatique et le niveau de dureté de l'eau.

### f. CLEAN

Sert à activer le mode détartrage et régler le niveau de dureté de l'eau.

### g. 1-4

Sert à préparer de plus petites quantités de café (jusqu'à 4 tasses).

## MODE D'EMPLOI

### Installer le filtre à charbon pour eau (A)

L'utilisation du filtre à charbon pour eau est optionnelle mais fortement recommandée. Le filtre élimine le chlore, les mauvais goûts et odeurs de l'eau du robinet. La cafetière fonctionne normalement sans ce filtre.

Des filtres pour eau de rechange sont disponibles dans les magasins, sur le site internet de Braun ou en appelant le service après-vente.

- Retirez le filtre à charbon pour eau (7) de son sachet et plongez-le dans de l'eau du robinet froide pendant au moins 15 minutes.
- Retirez le support de filtre à charbon pour eau (8) de la cafetière en le sortant du réservoir à eau (3).
- Appuyez doucement sur le bas de la tige et tirez vers vous. Le compartiment s'ouvre.
- Placez le filtre à charbon pour eau dans le support et fermez-le, vous entendez alors un claquement indiquant qu'il est bien placé.
- Passez le filtre sous de l'eau courante froide pendant 10 secondes pour le rincer. Vous devez placer les ouvertures creuses directement sous le jet d'eau.
- Laissez le filtre s'égoutter complètement.
- Positionnez l'indicateur vert sur le mois durant lequel vous avez installé le filtre à charbon pour eau. Nous conseillons de changer le filtre à charbon pour eau tous les 2 mois ou plus souvent si votre eau du robinet est dure.
- Remplacez le support de filtre à charbon pour eau dans le réservoir à eau de la cafetière en le poussant jusqu'au fond, le long de la paroi du réservoir.

**REMARQUE :** La précaution est de mise lors de l'insertion du filtre à charbon pour eau. Un mauvais positionnement dans le support pour filtre à eau pourrait déchirer la membrane du filtre.

## Allumer/éteindre

- Pour allumer la cafetière, appuyez sur le bouton ON/OFF (1). La lumière verte s'allume et indique que la cafetière est prête, en mode « ready ».
- Pour éteindre la cafetière, appuyez de nouveau sur le bouton ON/OFF. La lumière verte s'éteint et indique que la cafetière est en mode veille, « stand by ».

## Programmer la cafetière

**Remarque :** La cafetière dispose d'un système de récupération de 60 secondes en cas de coupure

d'alimentation qui se souvient de toutes les informations programmées, dont l'heure et les paramètres de démarrage/arrêt automatiques, si le disjoncteur se déclenche, si l'unité est débranchée ou si l'y a une panne de courant.

## Régler l'heure

Lorsque la cafetière est branchée pour la première fois ou si l'alimentation est rétablie après une interruption, 2:00 AM clignote sur l'écran à LED.

- Pour régler l'heure, appuyez sur le bouton CLOCK (d) pendant au moins 3 secondes. L'écran à LED commence à clignoter.
- Enfoncez et maintenez le bouton SET (e) pour faire défiler les chiffres. Relâchez le bouton une fois l'heure désirée affichée.
- Pour régler les minutes, appuyez sur le bouton CLOCK. L'écran à LED commence à clignoter.
- Enfoncez et maintenez le bouton SET pour faire défiler les chiffres. Relâchez le bouton une fois les minutes désirées affichées.
- Appuyez sur le bouton CLOCK encore une fois pour sauvegarder l'heure souhaitée.
- Pendant le paramétrage, si aucun bouton n'est enfoncé pendant 10 secondes, l'heure actuellement réglée est sauvegardée.

**REMARQUE :** Si le chiffre est supérieur à 12, PM s'affiche sur l'écran LCD.

**Avant de programmer, allumez toujours la cafetière.**

## Programmer et activer l'heure AUTO ON

- Appuyez sur le bouton AUTO ON (b) pendant au moins 3 secondes.
- Les heures sur l'écran à LED commencent à clignoter.
- Pour régler l'heure, appuyez sur le bouton CLOCK (d) pendant au moins 3 secondes. L'écran à LED commence à clignoter.
- Enfoncez et maintenez le bouton SET (e) pour faire défiler les chiffres. Relâchez le bouton une fois l'heure désirée affichée.
- Pour régler les minutes, appuyez sur le bouton AUTO ON. Les minutes sur l'écran à LED commencent à clignoter.
- Enfoncez et maintenez le bouton SET pour faire défiler les chiffres. Relâchez le bouton une fois les minutes désirées affichées.
- Appuyez une nouvelle fois sur le bouton AUTO ON pour sauvegarder l'heure souhaitée.
- L'heure de démarrage automatique préréglée disparaît après 3 secondes et l'heure de la

journée s'affiche sur l'écran à LED.

- Pendant le paramétrage, si aucun bouton n'est enfoncé pendant 10 secondes, l'heure de démarrage automatique actuellement réglée est sauvegardée.

Cette fonction ne peut être activée que si l'heure de démarrage automatique et l'heure de la journée ont été réglées.

### Pour activer la fonction AUTO ON :

- Appuyez sur le bouton AUTO ON (b). La LED verte au-dessus du bouton s'allume et la cafetière commence à préparer le café à l'heure réglée.
- L'heure de démarrage automatique réglée disparaît après 3 secondes.
- Quand l'appareil commence à infuser, la LED verte BREW clignote en continu et la LED AUTO ON s'éteint.
- Appuyez une nouvelle fois sur le bouton AUTO ON (b) pour annuler la fonction : la LED verte s'éteint.

**REMARQUE :** La fonction AUTO ON reste active même si l'appareil a été éteint (1).

## Programmer et activer le délai AUTO OFF

Le délai d'arrêt automatique peut être réglé avec par intervalles de 5 minutes situés entre 15 minutes et 5 heures. Le paramètre par défaut est 2 heures.

- Appuyez sur le bouton AUTO OFF (c) pendant au moins 3 secondes.
  - Le paramètre par défaut (2 heures) commence à clignoter.
  - Enfoncez et maintenez le bouton SET (e) pour faire défiler les chiffres. Le délai est affiché par intervalles de 5 minutes.
  - Appuyez sur le bouton AUTO OFF encore une fois pour sauvegarder le délai souhaité.
  - Le délai d'arrêt automatique préréglé disparaît après 3 secondes et l'heure du jour s'affiche sur l'écran à LED.
  - Pendant le paramétrage, si aucun bouton n'est enfoncé pendant 10 secondes, le délai d'arrêt automatique actuellement réglé est sauvegardé.
- Cette fonction ne peut être activée que si un délai d'arrêt automatique a été réglé.

### Pour activer la fonction AUTO OFF :

- Appuyez sur le bouton AUTO OFF (c) : la LED verte au-dessus du bouton s'allume et la cafetière arrête de maintenir une température élevée une fois le délai d'arrêt automatique écoulé (min. 15 minutes/ max. 5 heures).

- Le délai d'arrêt automatique réglé disparaît après 3 secondes.
- Appuyez sur le bouton AUTO OFF (c) encore une fois pour annuler la fonction : la LED verte s'éteint.

Pour assurer une sécurité supplémentaire, l'appareil s'éteindra automatiquement 2 heures après la fin du cycle de préparation du café si la fonction arrêt automatique (AUTO OFF) n'a pas été activée.

## Régler le niveau de dureté de l'eau

Réglez le niveau de dureté de l'eau sur votre cafetière en fonction du niveau de dureté de l'eau de votre région.

- Appuyez sur le bouton CLEAN (f) pendant au moins 3 secondes.
- Le paramètre par défaut (h3) commence à clignoter.
- Appuyez sur le bouton SET (e) pour faire défiler les options (h1 = douce, h2 = normale, h3 = dure) et sélectionnez le niveau de dureté de l'eau approprié.
- Appuyez sur le bouton CLEAN encore une fois pour sauvegarder le niveau de dureté.
- La dureté de l'eau réglée disparaît après 3 secondes et l'heure du jour s'affiche sur l'écran à LED.

## Réglage 1 - 4 tasses

- Appuyez sur le bouton « 1-4 » (g). La LED verte au-dessus du bouton s'allume.
- Appuyez sur BREW (a) pour commencer la préparation.
- La LED verte s'éteint une fois le cycle de préparation terminé.

## Préparer un café (B)

Avant d'utiliser la cafetière pour la première fois, après une longue période d'inutilisation ou après avoir installé un nouveau filtre à charbon pour eau, effectuez un cycle de préparation complet sans café moulu. Utilisez une carafe pleine (12 tasses) d'eau froide fraîche. Cela permet de retirer toute la poussière du procédé de fabrication ou les résidus restés dans l'appareil.

- Ouvrez le couvercle du réservoir (6).
- Lorsque vous remplissez le réservoir à eau (3) avec de l'eau froide fraîche, référez-vous aux marques de hauteur de la carafe ou à l'indicateur de niveau d'eau (à l'intérieur du réservoir) et remplissez jusqu'au nombre de tasses désiré.

- Pour préparer la quantité exacte de café pour le Mug2Go Braun (disponible séparément en tant qu'accessoire), remplissez jusqu'à la marque correspondante (11 oz.) dans le réservoir.
- Insérez le filtre permanent doré (5) ou un filtre en papier (type de cône #4) dans le panier de filtre (4).
- Ajoutez la quantité de café moulu désirée, en fonction du nombre de tasses à préparer. Nous conseillons d'utiliser 1 cuillère à soupe ou 1 mesure de café moulu par tasse mais vous pouvez en utiliser plus ou moins selon vos préférences.
- Fermez le réservoir à eau et placez la carafe en position sur la sole chauffante (9).
- Branchez le cordon d'alimentation sur une prise électrique et appuyez sur le bouton ON/OFF (1).
- Appuyez sur le bouton BREW (a) pour commencer la préparation immédiatement ou appuyez sur AUTO ON (b) pour commencer la préparation à une heure pré-réglée.
- Pendant la préparation, le témoin lumineux clignote en continu. Une fois le cycle de préparation terminé, la lumière verte est continue, ce qui indique que la cafetière est en mode « maintien chaud ».

**REMARQUE :** Le système anti-gouttes stoppe l'écoulement du café depuis le panier de filtre quand la carafe est retirée, il est ainsi possible de remplir une tasse avant que la préparation ne soit terminée. La carafe doit être remise sur la sole chauffante (maximum 20 secondes) pour éviter que le panier de filtre ne déborde.

## Pour un résultat optimal

- Assurez-vous d'ajouter une petite quantité d'eau en plus pour compenser l'eau perdue lors de l'humidification du café moulu et via l'évaporation pendant l'infusion.
- Si vous utilisez des filtres en papier, assurez-vous qu'ils sont entièrement ouverts et insérés dans le panier. Il peut être utile de d'abord plier et aplatir les bords du filtre en papier avant de l'insérer.
- Une fois le café terminé, remuez-le avant de le servir pour mélanger les saveurs. Le café au fond de la carafe est un peu plus fort que celui en haut.

**Remarque :** La quantité maximum de café moulu que la cafetière peut contenir est de 15 mesures ou cuillères à soupe. Dépassez cette quantité peut entraîner un débordement si le café est moulu trop finement.

## Détartrage

Afin d'assurer la meilleure performance de votre cafetière Braun, détartez-la quand la LED CLEAN



(f) s'allume en vert. Cela indique qu'il est temps de détartrer votre cafetière.

Pour régler la dureté de l'eau, voir « Régler le niveau de dureté de l'eau ».

Retirer les dépôts de calcaire présents dans le réservoir à eau aide à prolonger la durée de vie de votre cafetière et à préserver le goût délicieux de votre café.

La fréquence dépend de la dureté de l'eau du robinet et de la fréquence d'utilisation de votre cafetière.

Vous pouvez utiliser un détartrant disponible dans le commerce qui est compatible avec l'aluminium. Nous conseillons d'utiliser le détartrant Braun (disponible dans les magasins, sur le site internet de Braun ou en appelant le service après-vente).

**Remarque :** Pour votre confort, le cycle de nettoyage est automatique. L'ensemble du cycle de nettoyage, rinçage inclus, peut prendre jusqu'à 45 minutes.

- Retirez le support de filtre à charbon pour eau (8) avec le filtre à charbon pour eau (7) et le filtre permanent doré (5).
- Suivez les instructions figurant sur l'emballage du détartrant.
- Placez la carafe vide dans sa position sur la sole chauffante (9).
- Appuyez sur le bouton CLEAN (f). La LED verte au-dessus du bouton se met à clignoter.
- Appuyez sur BREW (a) pour commencer le programme de détartrage pendant que la LED verte continue de clignoter. Une fois le processus de détartrage commencé, il est impossible de stopper le programme avant qu'il ne soit fini.
- Une fois le programme de détartrage terminé, la LED verte s'éteint.
- Jetez le détartrant et rincer la carafe soigneusement avec de l'eau propre.
- Remplissez le réservoir d'eau avec une carafe pleine (12 tasses) d'eau propre et fraîche. Effectuez deux cycles d'infusion complets pour rincer la cafetière après le détartrage. Utilisez une carafe d'eau froide propre à chaque fois.

Répétez la procédure autant de fois que nécessaire afin de réduire le temps de préparation par tasse à un niveau normal.

## Nettoyage et entretien (C)

- Éteignez toujours la cafetière et retirez le cordon d'alimentation de la prise avant de la nettoyer.
- Soulevez le couvercle du réservoir. Retirez le filtre permanent doré et jetez le café moulu.

- Retirez la carafe de la sole chauffante et jetez les éventuels restes de café.
- Le panier de filtre, le filtre permanent doré, la carafe et le couvercle peuvent être lavés dans de l'eau savonneuse chaude et rincés soigneusement ou lavés dans le panier supérieur du lave-vaisselle. Séchez toutes les parties après utilisation.
- N'utilisez des agents décapants ou produits agressifs sur aucune partie de la cafetière.
- N'immergez jamais l'unité dans l'eau ou un autre liquide.
- Pour nettoyer la base, essuyez-la simplement avec un chiffon propre et humide et séchez-la avant de la ranger.
- Ne mettez pas d'eau dans l'unité une fois le panier de filtre retiré. Essuyez la zone sous le panier de filtre avec un chiffon humide.
- Les traces de doigt et autres taches sur le boîtier peuvent être retirées avec de l'eau savonneuse ou une solution nettoyante non abrasive.
- Ne séchez pas l'intérieur du réservoir à eau avec un chiffon, cela pourrait laisser des peluches.

Les spécifications de conception ainsi que ce manuel d'utilisation peuvent être sujets à des modifications sans préavis.

Ne jetez pas votre appareil avec vos déchets ménagers à la fin de sa durée de vie utile.

<b>Problème</b>	<b>Causes éventuelles</b>	<b>Solution</b>
Le bouton ON/OFF ne s'allume pas	<ul style="list-style-type: none"> <li>• L'appareil n'est pas branché</li> <li>• Il y a eu une coupure de courant</li> <li>• Le bouton ON/OFF n'a pas été activé</li> </ul>	<ul style="list-style-type: none"> <li>• Branchez l'appareil</li> <li>• Attendez que le courant soit rétabli</li> <li>• Appuyez sur le bouton ON/OFF</li> </ul>
L'écran n'affiche pas d'heure	<ul style="list-style-type: none"> <li>• L'appareil n'est pas branché</li> <li>• Il y a eu une coupure de courant</li> </ul>	<ul style="list-style-type: none"> <li>• Branchez l'appareil</li> <li>• Attendez que le courant soit rétabli</li> </ul>
« 2:00 AM » clignote sur l'écran	Première utilisation ou il y a eu une coupure de courant	Réglez l'horloge
Il n'est pas possible de régler l'heure AUTO ON	<ul style="list-style-type: none"> <li>• Le bouton ON/OFF n'a pas été activé</li> <li>• L'horloge n'a pas été réglée</li> </ul>	<ul style="list-style-type: none"> <li>• Appuyez sur le bouton ON/OFF</li> <li>• Régler l'heure</li> </ul>
Il n'est pas possible d'activer l'heure AUTO ON	<ul style="list-style-type: none"> <li>• Le bouton ON/OFF n'a pas été activé</li> <li>• L'heure AUTO ON n'a pas été réglée</li> </ul>	<ul style="list-style-type: none"> <li>• Appuyez sur le bouton ON/OFF</li> <li>• Régler l'heure AUTO ON</li> </ul>
Il n'est pas possible de changer le délai AUTO OFF	<ul style="list-style-type: none"> <li>• Le bouton ON/OFF n'a pas été activé</li> <li>• L'horloge n'a pas été réglée</li> </ul>	<ul style="list-style-type: none"> <li>• Appuyez sur le bouton ON/OFF</li> <li>• Régler l'heure</li> </ul>
La LED verte au-dessus de BREW ne s'allume pas	<ul style="list-style-type: none"> <li>• L'appareil n'est pas branché</li> <li>• Il y a eu une coupure de courant</li> <li>• Le bouton ON/OFF n'a pas été activé et le bouton BREW n'a pas été activé</li> </ul>	<ul style="list-style-type: none"> <li>• Branchez l'appareil</li> <li>• Attendez que le courant soit rétabli</li> <li>• Appuyez sur le bouton ON/OFF puis sur BREW</li> </ul>
Le café ne se prépare pas	<ul style="list-style-type: none"> <li>• L'appareil n'est pas branché</li> <li>• Il y a eu une coupure de courant</li> <li>• Le bouton BREW n'a pas été activé</li> <li>• Il n'y a pas d'eau dans le réservoir</li> </ul>	<ul style="list-style-type: none"> <li>• Branchez l'appareil</li> <li>• Attendez que le courant soit rétabli</li> <li>• Appuyez sur le bouton BREW</li> <li>• Versez de l'eau dans le réservoir</li> </ul>
La cafetière ne prépare que de l'eau	Il n'y a pas de café moulu dans le panier de filtre	Ajoutez la quantité de café désirée dans le filtre
La cafetière déborde	Le panier de filtre n'est pas bien inséré	Insérez correctement le panier de filtre
	La carafe n'a pas été bien placée sur la sole chauffante	Assurez-vous que la carafe se trouve directement sous le panier de filtre
	Le couvercle n'est pas sur la carafe	Placez le couvercle sur la carafe
	La carafe a été retirée pendant plus de 20 secondes alors que l'infusion est en cours	La carafe doit être replacée rapidement
	Utilisation d'un café moulu trop fin	Retirez le filtre du panier de filtre Si vous utilisez le filtre permanent doré, retirez le café et rincez. Si vous utilisez un filtre en papier, remplacez-le par un nouveau. Redémarrez le processus de préparation du café avec la bonne quantité de café moulu.
	Utilisation d'un café moulu trop fin	Utilisez seulement du café moulu pour les cafetières filtres
	Le filtre permanent doré est utilisé avec un filtre papier	Utilisez soit un filtre à papier, soit le filtre permanent doré mais jamais les deux en même temps

Du café s'écoule du panier de filtre sur la sole chauffante quand la carafe n'est pas à sa place	Le ressort du panier de filtre a sauté durant le nettoyage	Refixez le ressort sur le panier de filtre
Le café n'est pas chaud	<ul style="list-style-type: none"> <li>• Il y a eu une coupure de courant</li> <li>• L'arrêt automatique était activé</li> </ul>	<ul style="list-style-type: none"> <li>• Attendez que le courant soit rétabli</li> </ul>
Il y a du café moulu au fond de la carafe	Le filtre (papier ou doré) n'était pas bien inséré dans le panier de filtre	Rincez le panier de filtre, placez un filtre dans le panier et redémarrez la préparation
	Le filtre papier s'est plié	Retirez le filtre, rincez le panier de filtre et recommencez la préparation avec un nouveau filtre papier
L'écran affiche « E01 », « E02 » ou « E03 »	----	Contactez le service après-vente Braun

# CUIDADOS IMPORTANTES

Al usar aparatos eléctricos, siempre se deben seguir las precauciones de seguridad básicas para reducir el riesgo de incendio, descarga eléctrica o lesiones a las personas, incluyendo las siguientes:

## LEA TODAS LAS INSTRUCCIONES.

1. El aparato no está diseñado para que lo utilicen personas (incluidos los niños) con capacidades físicas, sensoriales o mentales reducidas, o faltas de experiencia y conocimiento, a menos que una persona responsable de su seguridad les haya dado supervisión o instrucciones referentes al uso del aparato.
2. Desenchufe siempre el aparato cuando no lo esté usando y antes de limpiarlo. Deje siempre que se enfríe antes de ponerle o quitarle piezas y antes de limpiar el aparato.
3. Para protegerse contra el riesgo de una descarga eléctrica, no coloque el cuerpo del motor de la batidora en agua u otros líquidos.
4. El uso de accesorios o aditamentos no vendidos o recomendados por Braun puede provocar incendios, descargas eléctricas o riesgo de lesiones a las personas.
5. Inspeccione periódicamente el cable de corriente, la clavija y el aparato en sí por si hubiera daños. No lo utilice si está dañado de cualquier manera o después que el aparato muestre un mal funcionamiento. Deje inmediatamente de usar el aparato y llame a Servicio al Cliente de Braun para que lo examinen, reparen o ajusten.
6. No lo use al aire libre o para ninguna cosa que no sea el propósito para el que se diseñó.
7. Coloque la tapa firmemente sobre la jarra antes de servir el café.
8. Pueden producirse quemaduras si la tapa del depósito se abre durante el ciclo de preparación.
9. La jarra de vidrio está diseñada para usarse solamente con este aparato. No debe utilizarse nunca sobre una estufa o un horno de microondas.
10. No coloque la jarra caliente sobre una superficie fría o mojada.
11. No utilice una jarra que esté agrietada o a la cual le falte un asa o la tenga suelta.
12. No limpie la jarra ni mantenga la placa caliente con limpiadores abrasivos, lana de acero u otros materiales abrasivos.
13. No la sumerja en agua.
14. Inspeccione periódicamente el cable de corriente, la clavija y el aparato en sí por si hubiera daños. No lo utilice si está dañado de cualquier manera o después que el aparato muestre un mal funcionamiento. Deje inmediatamente de usar el aparato y llame a Servicio al Cliente de Braun para que lo examinen, reparen o ajusten.
15. No toque las superficies calientes. Use las asas y los botones.
16. No deje que el cable cuelgue sobre el borde de la mesa o el mostrador o toque superficies calientes.
17. No lo coloque sobre una hornilla de gas o eléctrica o en un horno caliente, ni cerca de ellos.
18. Llene siempre primero el depósito de agua y después conecte el cable al enchufe de la pared. Para desconectarlo, oprima el botón «Encendido/Apagado», luego quite la clavija del enchufe de la pared.

19. Advertencia: Riesgo de incendio o descarga eléctrica. No quite el panel de la base. En el interior no hay piezas que pueda reparar el usuario. La reparación la debe hacer solamente personal autorizado.
20. No haga funcionar el aparato en una estantería de aparatos o bajo un armario de pared. Cuando lo almacene en una estantería de aparatos, desconecte la unidad del enchufe de pared. No hacerlo podría crear un riesgo de incendio, especialmente si el aparato toca las paredes de la estantería o la puerta toca la unidad al cerrarse.
21. Nunca abra la tapa del depósito durante el ciclo de preparación del café, incluso si no se está drenando agua de la cesta del filtro, ya que se puede derramar agua o café extremadamente calientes de la cesta del filtro y provocar lesiones. Si no se está drenando agua o café de la cesta del filtro durante el ciclo de preparación, desenchufe la unidad y espere 10 minutos antes de abrir la tapa superior y comprobar la cesta del filtro.
22. Le sugerimos que guarde todos los materiales de embalaje en caso de que sea necesario el envío de la máquina en el futuro. Conserve todas las bolsas de plástico lejos de los niños.
23. Este aparato tiene una clavija polarizada (una hoja es más ancha que la otra). Para reducir el riesgo de descarga eléctrica, esta clavija se ajustará en un enchufe polarizado solamente de una forma. Si la clavija no entra bien en el enchufe, inviértala. Si aun así no ajusta, contacte con un electricista cualificado.  
No modifique la clavija en modo alguno.

# GUARDE ESTAS INSTRUCCIONES

## SÓLO PARA USO DOMÉSTICO

### INSTRUCCIONES ESPECIALES DEL JUEGO DEL CABLE

Se suministra un cable de alimentación corto para reducir los riesgos resultantes de engancharse o tropezarse con un cable más largo.

No se recomiendan cables de alimentación o cables de extensión desmontables más largos, pero se pueden utilizar si se hace con cuidado. Si se utiliza un cable de extensión:

- (1) el voltaje eléctrico marcado en el cable o la extensión del cable debe ser al menos tan grande como la potencia eléctrica del aparato,
- (2) el cable debe colocarse de modo que no cuelgue de un mostrador o mesa donde los niños puedan tirarlo o se pueda tropezar accidentalmente

# Español

Nuestros productos han sido elaborados con el fin de satisfacer los más altos estándares de calidad, funcionalidad y diseño. Esperamos que disfrute al máximo de su nuevo electrodoméstico Braun.

## Antes de usar

**Lea atenta y enteramente el folleto de instrucciones antes de usar el producto.**

### Descripción de Partes y Accesorios

- 1 Botón On/Off (encendido/apagado)
- 2 Panel de control LED y reloj
- 3 Depósito de agua incl. indicador del nivel de agua (interno)
- 4 Cesta del filtro con sistema anti goteo
- 5 Filtro permanente dorado
- 6 Cubierta del depósito y dispensador tipo ducha
- 7 Filtro de carbón para el agua
- 8 Soporte del filtro de carbón para el agua
- 9 Placa calefactora
- 10 Recogecable
- 11 Jarra de cristal
- 12 Tapa (jarra de cristal)
- 13 Cuchara dosificadora de café

Capacidad máxima de agua: 12 tazas (60 fl. oz.)

## Panel de control LED

### a. BREW

Utilícelo para comenzar la preparación del café y mantener los ciclos de calentamiento.

### b. AUTO ON

Utilícelo para programar el momento de inicio de la preparación. El momento de AUTO ON puede establecerse a cualquier hora, del día o la noche. «PM» se muestra en la LCD para las horas de programación nocturnas.

### c. AUTO OFF

Utilícelo para programar el momento de apagado de la cafetera.

### d. CLOCK

Muestra la hora del día, y puede usarse para establecer la hora de las funciones automáticas (horas de encendido y apagado automático)..

### e. SET

Utilícelo para programar la hora del día, las horas de encendido y apagado automático y el nivel de dureza del agua).

### f. CLEAN

Utilícelo para activar el modo descalcificador y establecer el nivel de dureza del agua.

### g. 1-4

Utilícelo para preparar cantidades más pequeñas de café (hasta 4 tazas).

## INSTRUCCIONES DE FUNCIONAMIENTO

### Instalar el filtro de carbón para el agua (A)

La utilización del filtro de carbón para el agua es opcional, pero se recomienda encarecidamente su uso. El filtro elimina el cloro, los malos sabores y los olores del agua del grifo. La cafetera funcionará normalmente sin él.

Los filtros de agua de recambio pueden adquirirse en tiendas, en el sitio web de Braun o llamando al servicio de atención al cliente.

- Extraiga el filtro de carbón para el agua (7) de la bolsa y sumérjalo en agua fría del grifo durante un mínimo de 15 minutos.
- Extraiga el soporte para el filtro de carbón para el agua (8) de la cafetera sacándolo del depósito de agua (3).
- Presione suavemente la pestaña y tire hacia usted. El compartimento se abrirá.
- Coloque el filtro de carbón para el agua en el soporte para el filtro y ciérrelo; escuchará un sonido de ajuste indicando que está en su sitio.
- Sujete el filtro bajo un grifo de agua fría durante 10 segundos para enjuagarlo. Debería colocar las aperturas de los orificios directamente bajo el chorro de agua.
- Deje que el filtro escurra completamente.
- Posicione el indicador verde al mes en el que instaló el filtro de carbón para el agua. Recomendamos cambiar el filtro de carbón para el agua cada dos meses, o con más frecuencia si el agua es dura.
- Vuelva a colocar el soporte del filtro de carbón para el agua en el depósito de agua de la cafetera, empujándolo hacia abajo hasta la base de la unidad, a lo largo de la pared del depósito.

**NOTA:** Debe tener precaución cuando inserte el filtro de carbón para el agua. La colocación incorrecta en el soporte del filtro de agua puede causar el desgarro de la parte externa del filtro.

## Encender/Apagar

- Para encender la cafetera, pulse el botón On/Off (1). La luz indicadora verde se iluminará indicando que la cafetera está lista para su uso.
- Para apagar la cafetera, pulse el botón de On/Off de nuevo. La luz indicadora verde se apagará

indicando que la cafetera está en modo «standby».

## Programar la cafetera

**NOTA:** La cafetera cuenta con un sistema de apoyo por pérdida de corriente de 60 segundos, que recuerda toda la información programada, incluyendo la hora del día y las horas de encendido y apagado automático en el caso de cortocircuito, de que se desenchufe la unidad o se produzca un fallo eléctrico.

## Ajustar la hora

Cuando la cafetera se enchufa por primera vez, o cuando se restaura la electricidad tras una interrupción, el panel de control LED comenzará a parpadear 2:00 AM.

- Para ajustar la hora, pulse el botón CLOCK (d) durante un mínimo de 3 segundos. El panel de control LED comenzará a parpadear.
- Mantenga pulsado el botón SET (e) para desplazarse por los números. Suelte el botón una vez que se muestre la hora deseada.
- Para ajustar los minutos, pulse el botón CLOCK. El panel de control LED comenzará a parpadear.
- Mantenga pulsado el botón SET para desplazarse por los números. Suelte el botón una vez que se muestren los minutos deseados.
- Pulse de nuevo el botón CLOCK para guardar la hora deseada.
- Si durante el proceso de ajuste no se pulsa ningún botón durante 10 segundos, se guardará la hora actual.

**NOTA:** Cuando el recuento de números pase el 12, PM se iluminará en la pantalla LCD.

**Antes de programar la cafetera, enciéndala.**

## Programar y activar la hora AUTO ON

- Pulse el botón AUTO ON (b) durante un mínimo de 3 segundos.
- Las horas en el panel LED comenzarán a parpadear.
- Para ajustar la hora, pulse el botón CLOCK (d) durante un mínimo de 3 segundos. El panel de control LED comenzará a parpadear.
- Mantenga pulsado el botón SET (e) para desplazarse por los números. Suelte el botón una vez que se muestre la hora deseada.
- Para ajustar los minutos, pulse el botón AUTO ON. Los minutos en el panel LED comenzarán a parpadear.

- Mantenga pulsado el botón SET para desplazarse por los números. Suelte el botón una vez que se muestren los minutos deseados.
- Pulse de nuevo el botón AUTO ON para guardar la hora deseada.
- La hora de encendido automático preestablecida desaparecerá tras 3 segundos y se mostrará la hora del día en el panel de control LED.
- Si durante el proceso de ajuste no se pulsa ningún botón durante 10 segundos, se guardará la hora de encendido automático establecida en ese momento.

Esta función solo puede activarse si la hora de encendido automático y la hora del día han sido establecidas.

### Para activar la función AUTO ON:

- Pulse el botón AUTO ON (b). El LED verde sobre el botón se iluminará y la cafetera estará lista para preparar café a la hora de encendido automático preestablecida.
- La hora de encendido automático preestablecida desaparece tras 3 segundos.
- Cuando la cafetera comience a preparar café, el LED BREW parpadeará continuamente y el LED AUTO ON se apagará.
- Pulse el botón AUTO ON (b) de nuevo para apagar la función: la luz LED verde desaparecerá.

**NOTA:** La función AUTO ON permanece activada incluso cuando el aparato ha sido apagado (1).

## Programar y activar la hora AUTO OFF

La hora de apagado automático puede ajustarse en intervalos de 5 minutos, desde 15 minutos a 5 horas. El ajuste predeterminado es 2 horas.

- Pulse el botón AUTO OFF (c) durante un mínimo de 3 segundos.
- El ajuste predeterminado (2 horas) comenzará a parpadear.
- Mantenga pulsado el botón SET (e) para desplazarse por los números. La hora se muestra en intervalos de 5 minutos.
- Pulse de nuevo el botón AUTO OFF para guardar la hora deseada.
- La hora de apagado automático preestablecida desaparecerá tras 3 segundos y se mostrará la hora del día en el panel de control LED.
- Si durante el proceso de ajuste no se pulsa ningún botón durante 10 segundos, se guardará la hora de apagado automático establecida en ese momento.

Esta función solo puede activarse si se ha establecido la hora de apagado automático.

## Para activar la función AUTO OFF:

- Pulse el botón AUTO OFF (c): el LED verde sobre el botón se iluminará y la cafetera deja de mantenerse caliente a la hora de apagado automático preestablecido (mín. 15 minutos / máx. 5 horas).
- La hora de apagado automático preestablecida desaparece tras 3 segundos.
- Pulse el botón AUTO OFF (c) de nuevo para apagar la función: la luz LED verde desaparecerá.

Para proporcionarle una seguridad adicional, el aparato se apagará automáticamente 2 horas después de haberse completado el ciclo de preparación si no se ha activado la función de APAGADO AUTOMÁTICO.

## Establecer el nivel de dureza del agua

Establezca el nivel de dureza del agua en la cafetera según el nivel de dureza del agua de su zona.

- Pulse el botón CLEAN (f) durante un mínimo de 3 segundos.
- El ajuste predeterminado (h3) comenzará a parpadear.
- Pulse el botón SET (e) para desplazarse por las opciones (h1 = blanda, h2 = normal, h3 = dura) y seleccione el nivel de dureza apropiado.
- Pulse de nuevo el botón CLEAN para guardar el nivel de dureza deseado.
- La dureza del agua predeterminada desaparece tras 3 segundos y la hora del día se mostrará en el panel de control LED..

## Ajuste de 1 - 4 tazas

- Pulse el botón «1-4» (g). El LED verde sobre el botón se iluminará.
- Pulse BREW (a) para comenzar a preparar el café.
- El LED verde se apaga tras finalizar el ciclo de preparación.

## Hacer café (B)

Antes de usar la cafetera por primera vez, tras un largo periodo sin usarla o tras instalar un nuevo filtro de carbón para el agua, haga funcionar la cafetera a través de un ciclo de preparación completo sin café. Utilice una jarra llena (12 tazas) de agua fría. Esto eliminará el polvo que pueda haber tras el proceso de fabricación o los residuos que hayan permanecido en la unidad.

- Abra la cubierta del depósito (6).
- Cuando llene el depósito de agua (3) con agua fría, consulte las marcas de altura de la jarra o el

indicador del nivel de agua (dentro del depósito de agua) y llene hasta el número de tazas deseado.

- Para preparar la cantidad exacta de café para el Mug2Go de Braun (disponible por separado como accesorio), llene hasta la marca de agua correspondiente (11 oz.) dentro del depósito.
- Inserte el filtro permanente dorado (5) o un filtro de papel (tipo cono, n° 4) en la cesta del filtro (4).
- Añada la cantidad deseada de café molido, correspondiente al número de tazas que desea preparar. Recomendamos usar una cuchara pequeña o un cacito de medición de café molido por taza, pero utilice más o menos según su gusto.
- Cierre el depósito de agua y coloque la jarra en su posición en la placa calefactora (9).
- Enchufe la cafetera y pulse el botón On/Off (1).
- Pulse el botón BREW (a) para comenzar la preparación inmediatamente o pulse AUTO ON (b) para comenzar la preparación a la hora preestablecida.
- Durante la preparación, la luz del indicador parpadeará continuamente. Una vez finalizado el ciclo de preparación, la luz permanecerá verde indicando que la cafetera está en modo «mantenimiento del calor».

**NOTA:** El sistema anti goteo detiene el flujo de café desde la cesta del filtro cuando se quita la jarra, para poder servir una taza de café antes de que termine la preparación. La jarra debe volver a ponerse en la placa calefactora (máximo 20 segundos) para evitar que la cesta del filtro se llene demasiado.

## Para obtener los mejores resultados

- Asegúrese de añadir una pequeña cantidad de agua extra para sustituir al agua que se pierde al humedecer el café y a través de la operación durante el proceso de preparación.
- Cuando utilice filtros de papel, asegúrese de que esté completamente abierto y totalmente insertado en la cesta. Puede ayudar plegar y aplanar las costuras del filtro de papel antes de insertarlo.
- Una vez terminada la preparación del café, agítelo suavemente antes de servirlo para mezclar los sabores. El café en el fondo de la jarra de cristal será algo más intenso que el café en la parte superior.

**NOTA:** La cantidad máxima de café molido que la cafetera puede admitir es 15 cacitos o cucharadas. Si se supera esta cantidad puede producirse un desbordamiento si el café está molido finamente.



## Descalcificación

Para obtener el mejor rendimiento de su cafetera Braun, descalcifique la unidad cuando el LED CLEAN (f) se encienda en verde. Esto indica que es el momento de descalcificar su cafetera.

Para establecer la dureza del agua, consulte «Establecer el nivel de dureza del agua».

Eliminar la acumulación de depósitos de cal del depósito de agua ayudará a aumentar la vida útil de su cafetera y hará que el sabor de su café sea excelente.

La frecuencia dependerá de la dureza del agua y de la frecuencia con la que use su cafetera.

Puede usar un agente descalcificador que puede adquirir en su tienda y que sea seguro para su uso en aluminio. Recomendamos usar la solución descalcificadora de Braun (puede adquirirse en tiendas, en el sitio web de Braun o llamando al servicio de atención al cliente).

**NOTA:** Para su comodidad, el ciclo de limpieza es automático. El ciclo de limpieza completo incluyendo el enjuagado puede tardar hasta 45 minutos en completarse.

- Extraiga el soporte del filtro de carbón para el agua (8) incluyendo el filtro de carbón para el agua (7) y el filtro permanente dorado (5).
- Siga las instrucciones indicadas en el paquete del agente descalcificador.
- Coloque la jarra vacía en su posición en la placa calefactora (9).
- Pulse el botón CLEAN (f). El LED verde sobre el botón comenzará a parpadear.
- Pulse BREW (a) para comenzar el programa de descalcificación, mientras el LED verde está parpadeando. Una vez iniciado el proceso de descalcificación, no es posible detener el programa hasta que termine.
- Cuando se haya completado el programa de descalcificación, se apagará el LED verde.
- Tire la solución de descalcificación y enjuague la jarra con agua limpia.
- Llene el depósito de agua con una jarra llena (12 tazas) de agua limpia. Someta la cafetera a dos ciclos de preparación completos para enjuagar la unidad tras la descalcificación. Utilice una jarra llena de agua fría cada vez.

Repita el proceso tantas veces como sea necesario para reducir el tiempo de preparación por taza a un nivel normal.

## Limpieza y mantenimiento (C)

- Apague y desenchufe la cafetera siempre antes de su limpieza.
- Levante la cubierta del depósito. Extraiga el filtro permanente dorado y tire el café molido.
- Quite la jarra de la placa calefactora y tire el café que pueda quedar.
- La cesta del filtro, el filtro permanente dorado, la jarra y la tapa pueden lavarse con agua caliente y jabonosa, y deberá enjuagarlos por completo, o puede lavarlos en la cesta superior del lavavajillas. Seque todas las partes antes de usarlas.
- No utilice agentes abrasivos y detergentes agresivos en ninguna parte de la cafetera.
- Nunca sumerja la unidad en agua u otros líquidos.
- Para limpiar la base, pase un paño limpio y húmedo y seque antes de guardar.
- No ponga agua en la unidad una vez que se ha extraído la cesta del filtro. Limpie la zona bajo la cesta del filtro con un paño húmedo.
- Las huellas de los dedos y otras manchas en la carcasa pueden limpiarse con jabón y agua u otra solución de limpieza no abrasiva.
- No seque la parte interna del depósito de agua con un paño, ya que pueden quedarse pelusas adheridas.

Las especificaciones de diseño y estas instrucciones de uso están sujetas a cambios sin previo aviso.

Una vez agotada la vida útil del producto, no lo deseche en la basura doméstica.

<b>Problema</b>	<b>Causas potenciales</b>	<b>Solución</b>
El interruptor On/Off no se ilumina	<ul style="list-style-type: none"> <li>• El aparato está desenchufado</li> <li>• Hay un corte de electricidad</li> <li>• No se ha pulsado el botón ON/OFF</li> </ul>	<ul style="list-style-type: none"> <li>• Enchufe la unidad</li> <li>• Espere a que vuelva la electricidad</li> <li>• Pulse el botón ON/OFF</li> </ul>
La pantalla no muestra la hora	<ul style="list-style-type: none"> <li>• El aparato está desenchufado</li> <li>• Hay un corte de electricidad</li> </ul>	<ul style="list-style-type: none"> <li>• Enchufe la unidad</li> <li>• Espere a que vuelva la electricidad</li> </ul>
La pantalla muestra «2:00 AM» parpadeando	Operación inicial o se ha producido un corte de electricidad	Ajuste el reloj
No es posible establecer la hora AUTO ON	<ul style="list-style-type: none"> <li>• No se ha pulsado el botón ON/OFF</li> <li>• El reloj no se ha configurado</li> </ul>	<ul style="list-style-type: none"> <li>• Pulse el botón ON/OFF</li> <li>• Establezca la hora en el reloj</li> </ul>
No es posible activar la hora AUTO ON	<ul style="list-style-type: none"> <li>• No se ha pulsado el botón ON/OFF</li> <li>• No se ha establecido la hora AUTO ON</li> </ul>	<ul style="list-style-type: none"> <li>• Pulse el botón ON/OFF</li> <li>• Establezca la hora de AUTO ON</li> </ul>
No es posible cambiar la hora AUTO OFF	<ul style="list-style-type: none"> <li>• No se ha pulsado el botón ON/OFF</li> <li>• El reloj no se ha configurado</li> </ul>	<ul style="list-style-type: none"> <li>• Pulse el botón ON/OFF</li> <li>• Establezca la hora en el reloj</li> </ul>
La luz LED verde sobre BREW no se ilumina	<ul style="list-style-type: none"> <li>• El aparato está desenchufado</li> <li>• Hay un corte de electricidad</li> <li>• No se ha pulsado el botón ON/OFF y no se ha pulsado el botón BREW</li> </ul>	<ul style="list-style-type: none"> <li>• Enchufe la unidad</li> <li>• Espere a que vuelva la electricidad</li> <li>• Pulse el botón ON/OFF, seguido de BREW</li> </ul>
No se prepara el café	<ul style="list-style-type: none"> <li>• El aparato está desenchufado</li> <li>• Hay un corte de electricidad</li> <li>• No se ha pulsado el botón BREW</li> <li>• No hay agua en el depósito</li> </ul>	<ul style="list-style-type: none"> <li>• Enchufe la unidad</li> <li>• Espere a que vuelva la electricidad</li> <li>• Pulse el botón BREW</li> <li>• Ponga agua en el depósito</li> </ul>
Solo sale agua, no café	No hay café en la cesta del filtro	Añada la cantidad de café deseada al filtro
La cafetera está desbordándose	La cesta del filtro no está insertada correctamente	Inserte la cesta del filtro correctamente
	La jarra no se colocó correctamente en la placa calefactora	Asegúrese de que la jarra esté centrada directamente bajo la cesta del filtro
	La tapa no está en la jarra	Coloque la tapa en la jarra
	Se ha extraído la jarra durante más de 20 segundos mientras la unidad está preparando café	La jarra debería volverse a colocar rápidamente tras extraerla
	Se está usando demasiado café	Quite el filtro de la cesta del filtro. Si está usando el filtro permanente dorado, tire el café y enjuague. Si está usando un filtro de papel, sustitúyalo con uno nuevo. Reinicie el proceso de preparación de café con la cantidad adecuada de café molido.
	Usar café demasiado molido	Utilice solamente café molido para cafeteras
	El filtro de papel y el filtro permanente dorado se usan al mismo tiempo	Utilice el filtro de papel o el filtro permanente dorado, nunca los dos al mismo tiempo
El café se sale de la cesta del filtro a la placa calefactora cuando la jarra no está en su sitio	Se ha salido el muelle de la cesta del filtro durante la limpieza	Vuelva a colocar el muelle en la cesta del filtro

El café no está caliente	<ul style="list-style-type: none"> <li>• Se ha producido un corte de electricidad</li> <li>• Se ha activado Auto Off</li> </ul>	<ul style="list-style-type: none"> <li>• Espere a que vuelva la electricidad</li> </ul>
Hay café en la parte inferior de la jarra	El filtro (de papel o el permanente) no se insertó correctamente en la cesta del filtro	Enjuague la cesta, coloque el filtro en la cesta del filtro y comience a preparar el café
	El filtro de papel se ha estropeado	Quite el filtro, enjuague la cesta del filtro y comience a preparar café con un nuevo filtro de papel
La pantalla muestra «E01», «E02» o «E03»	----	Contacte con el servicio de atención al cliente de Braun

